



US00D870611S

(12) **United States Design Patent** (10) **Patent No.:** **US D870,611 S**  
**Tonello et al.** (45) **Date of Patent:** **\*\* Dec. 24, 2019**

(54) **VEHICLE REAR UPPER BUMPER COVER**

D854,980 S \* 7/2019 Bucher ..... D12/169  
D854,981 S \* 7/2019 Smock ..... D12/169  
D856,214 S \* 8/2019 Nakajima ..... D12/169  
D856,872 S \* 8/2019 Smith ..... D12/169

(71) Applicant: **Ford Global Technologies, LLC,**  
Dearborn, MI (US)

(72) Inventors: **Domenico Tonello,** Cologne (DE);  
**Jordan Demkiw,** Cologne (DE); **Joel Piaskowski,** Dusseldorf (DE); **Claudio Messale,** Cologne (DE); **George Saridakis,** Edinburgh (GB)

\* cited by examiner

*Primary Examiner* — Melody N Brown

(74) *Attorney, Agent, or Firm* — Vichit Chea

(73) Assignee: **Ford Global Technologies, LLC,**  
Dearborn, MI (US)

(57) **CLAIM**

The ornamental design for a vehicle rear upper bumper cover, as shown and described.

(\*\*) Term: **15 Years**

(21) Appl. No.: **29/661,872**

(22) Filed: **Aug. 31, 2018**

**DESCRIPTION**

(30) **Foreign Application Priority Data**

Mar. 2, 2018 (DE) ..... 40 2018 100 228

(51) **LOC (12) Cl.** ..... **12-16**

(52) **U.S. Cl.**  
USPC ..... **D12/169**

(58) **Field of Classification Search**  
USPC ..... D12/169, 196, 86, 90-92; 293/102, 113,  
293/115, 117, 120; 296/180.1, 180.2  
CPC ..... B60R 19/02; B60R 19/04; B62D 25/08  
See application file for complete search history.

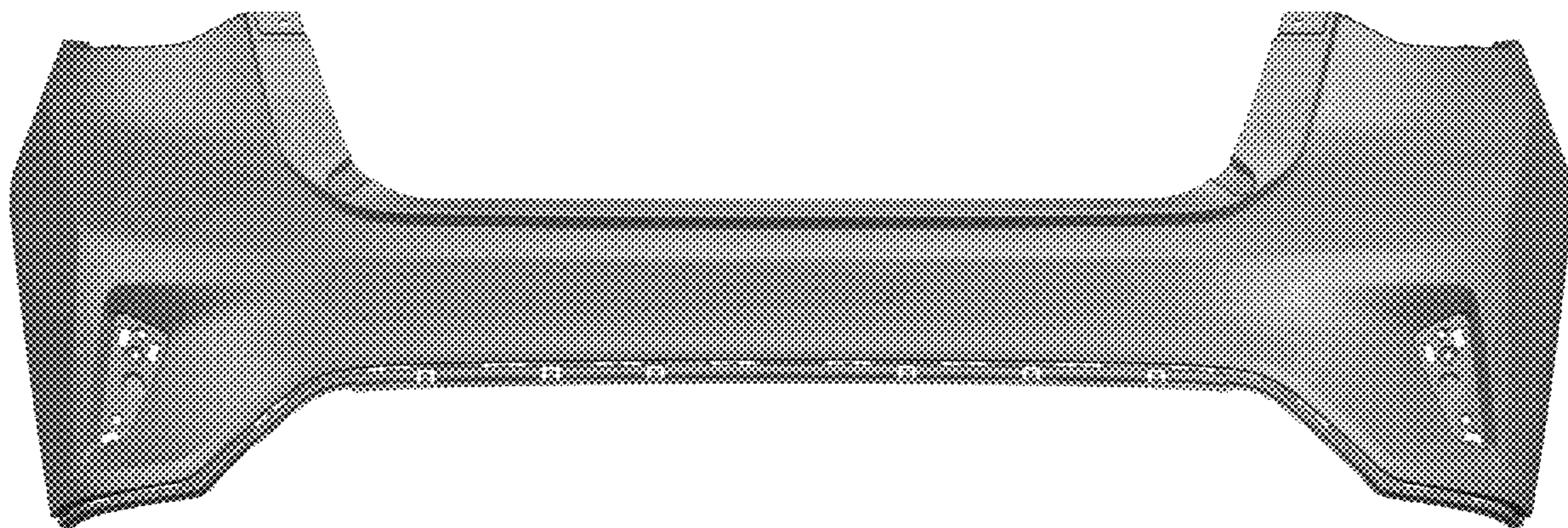
FIG. 1 is a front elevational view of a vehicle rear upper bumper cover, showing our new design;  
FIG. 2 is a rear elevational view thereof;  
FIG. 3 is a left side elevational view thereof;  
FIG. 4 is a right side elevational view thereof;  
FIG. 5 is a top plan view thereof;  
FIG. 6 is a bottom plan view thereof;  
FIG. 7 is a top, front, and left side perspective view thereof;  
and  
FIG. 8 is a bottom, front, and left side perspective view thereof; and,  
FIG. 9 is a top, and rear perspective view thereof.

(56) **References Cited**

**U.S. PATENT DOCUMENTS**

D814,988 S \* 4/2018 Szavits ..... D12/169  
D823,194 S \* 7/2018 Gueler ..... D12/169  
D842,769 S \* 3/2019 Takamatsu ..... D12/169

**1 Claim, 9 Drawing Sheets**



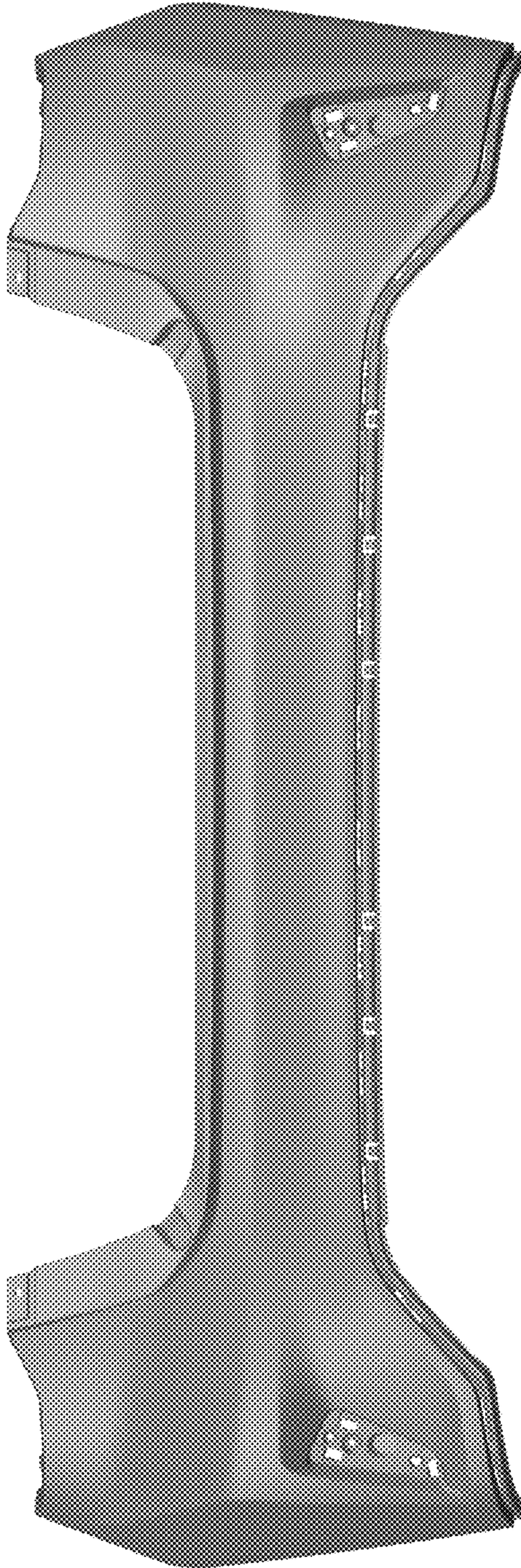


Fig. 1

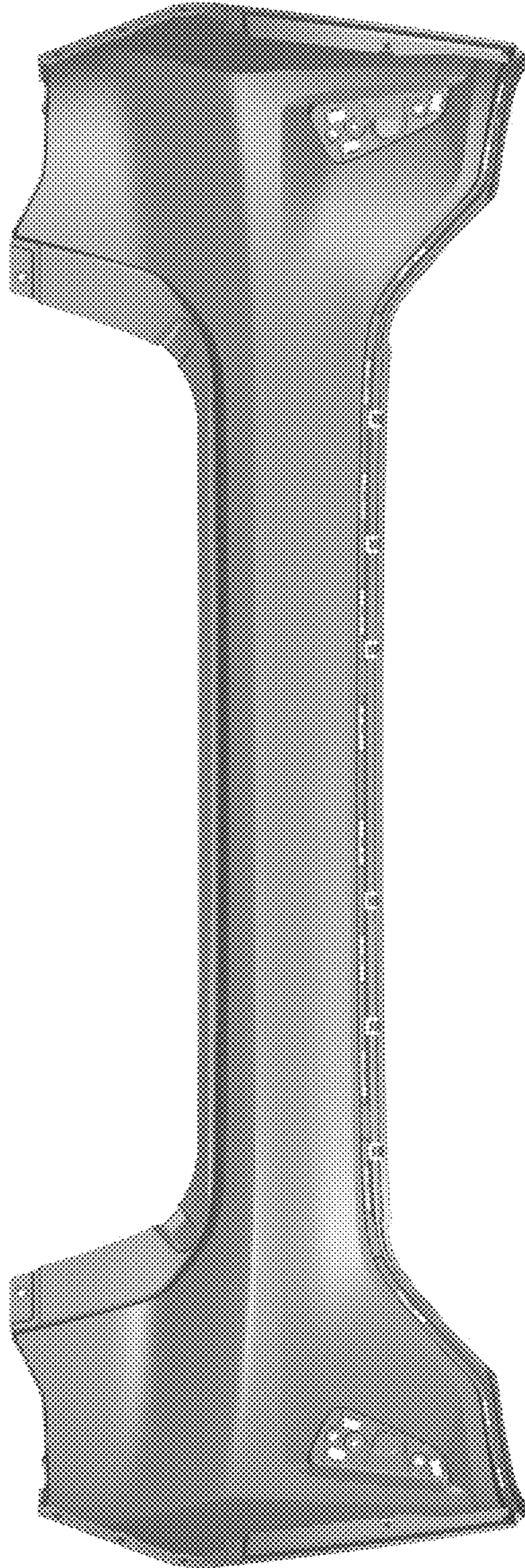
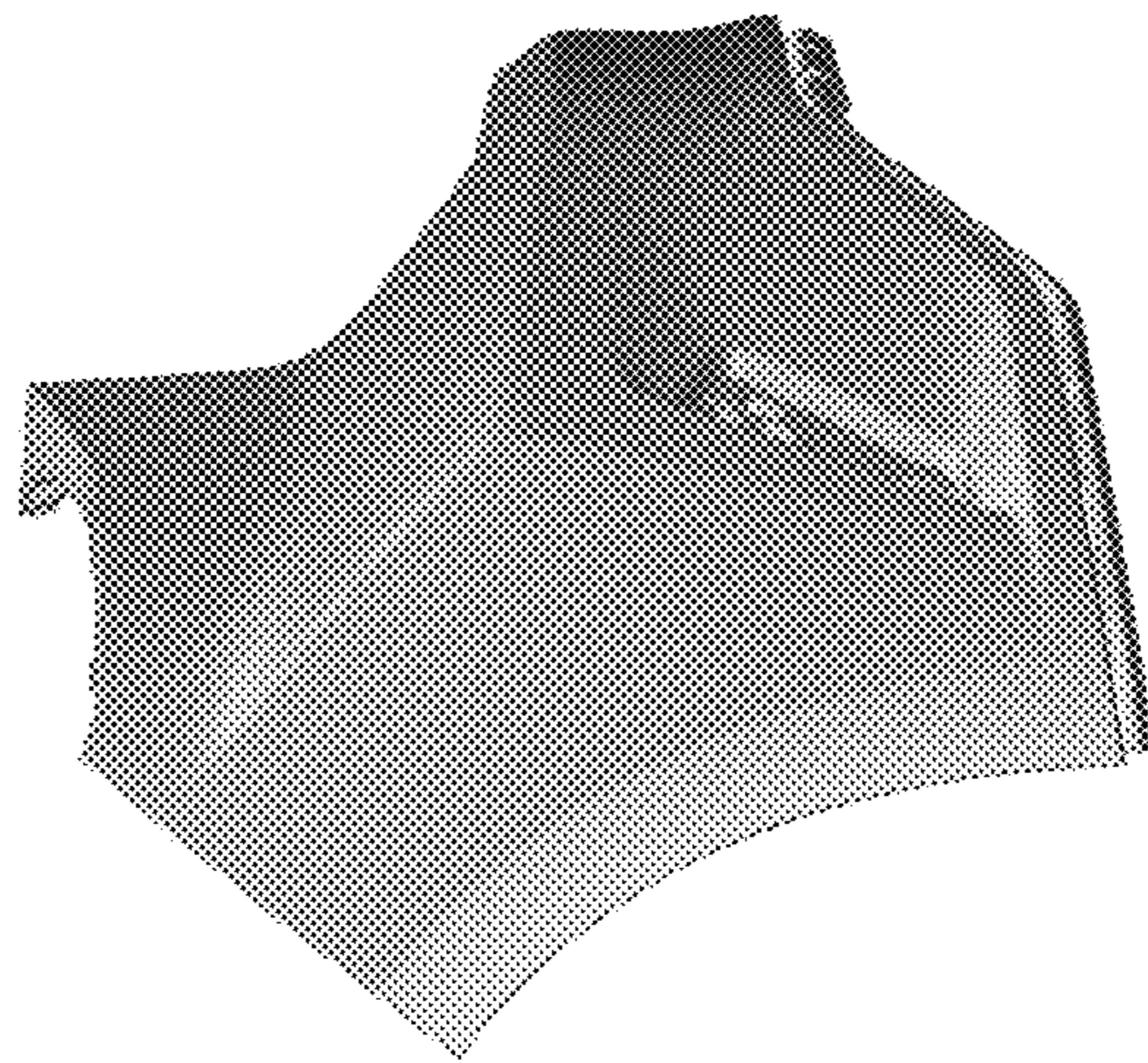


Fig. 2



*Fig. 3*

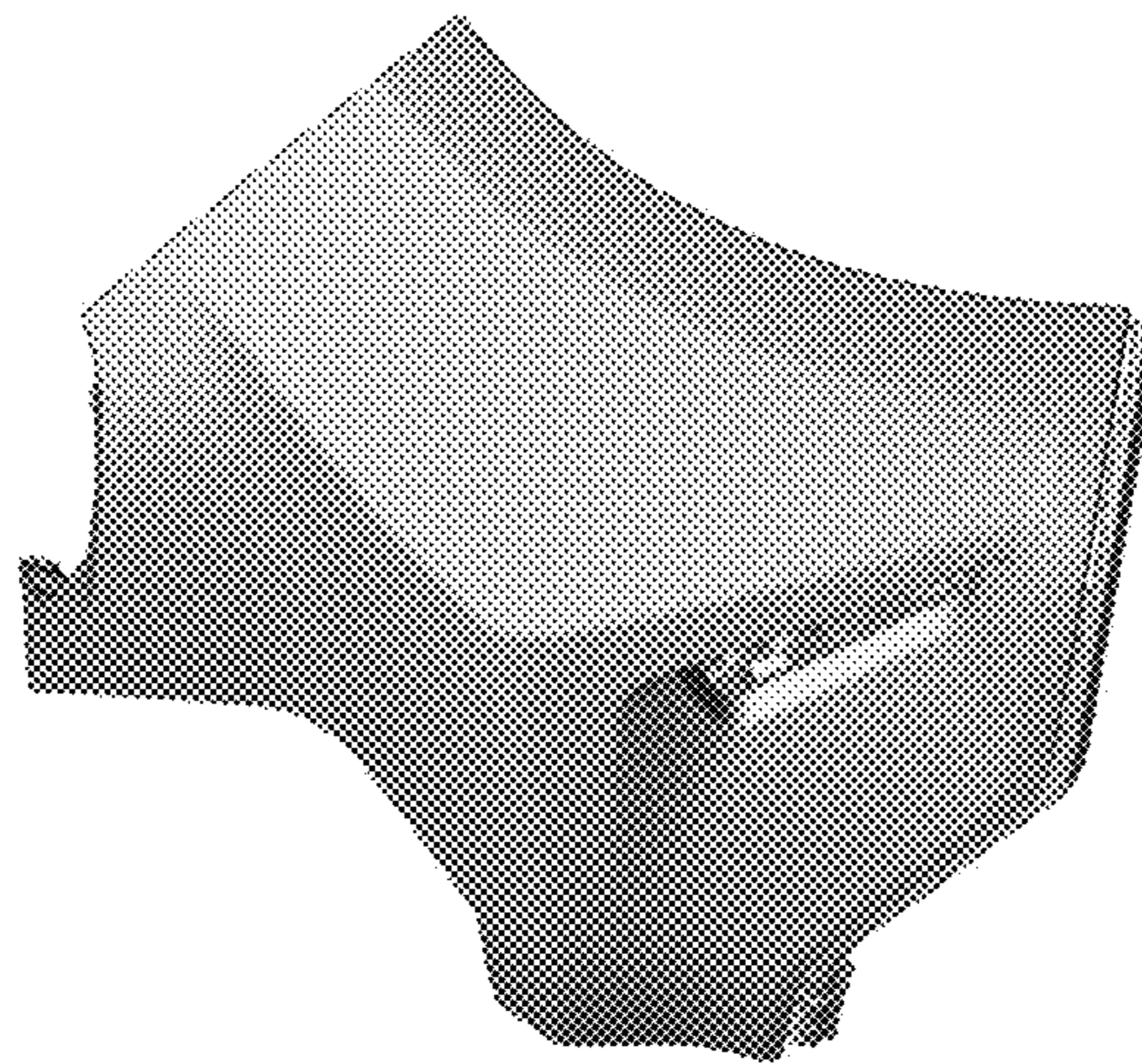


Fig. 4

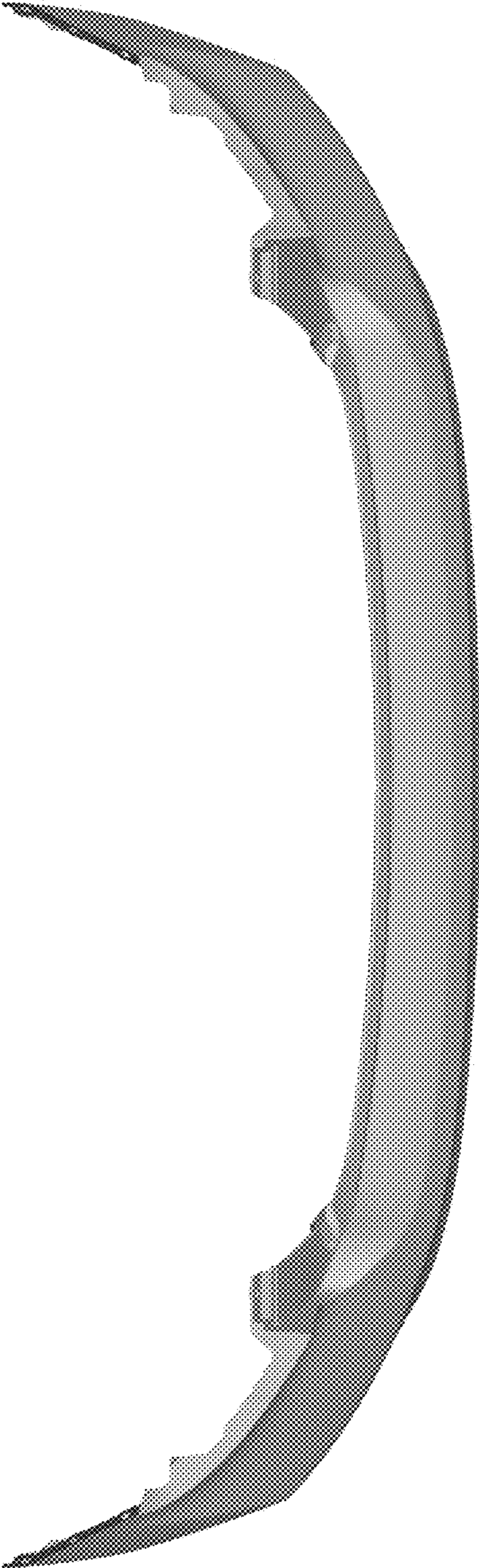


Fig. 5

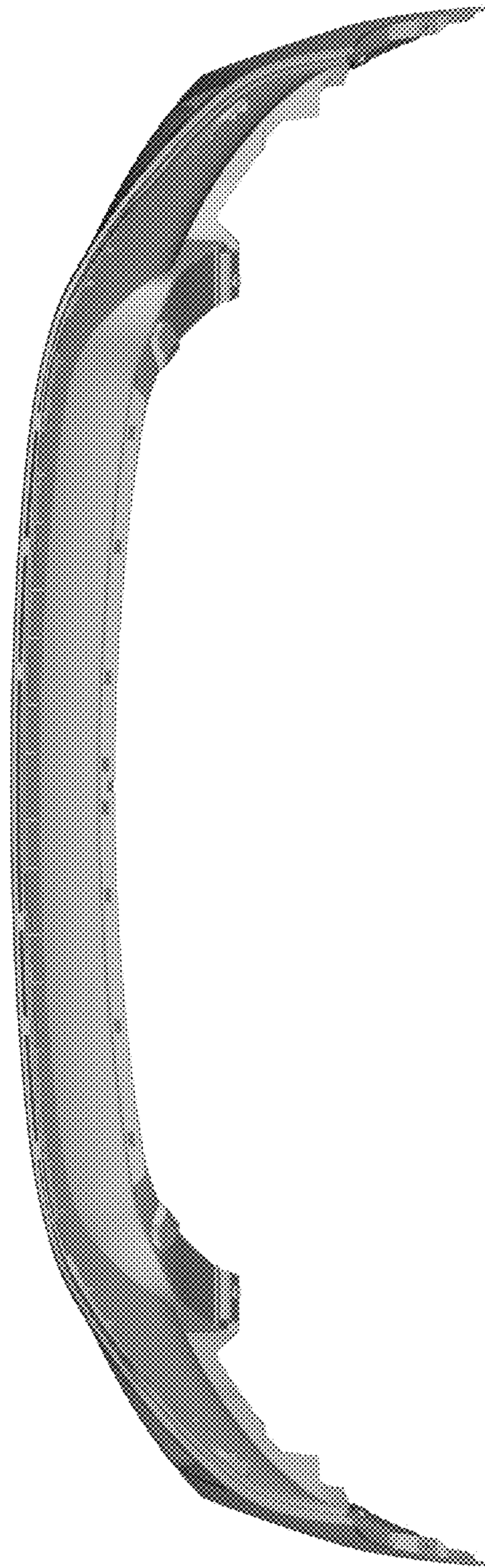


Fig. 6

Fig. 7

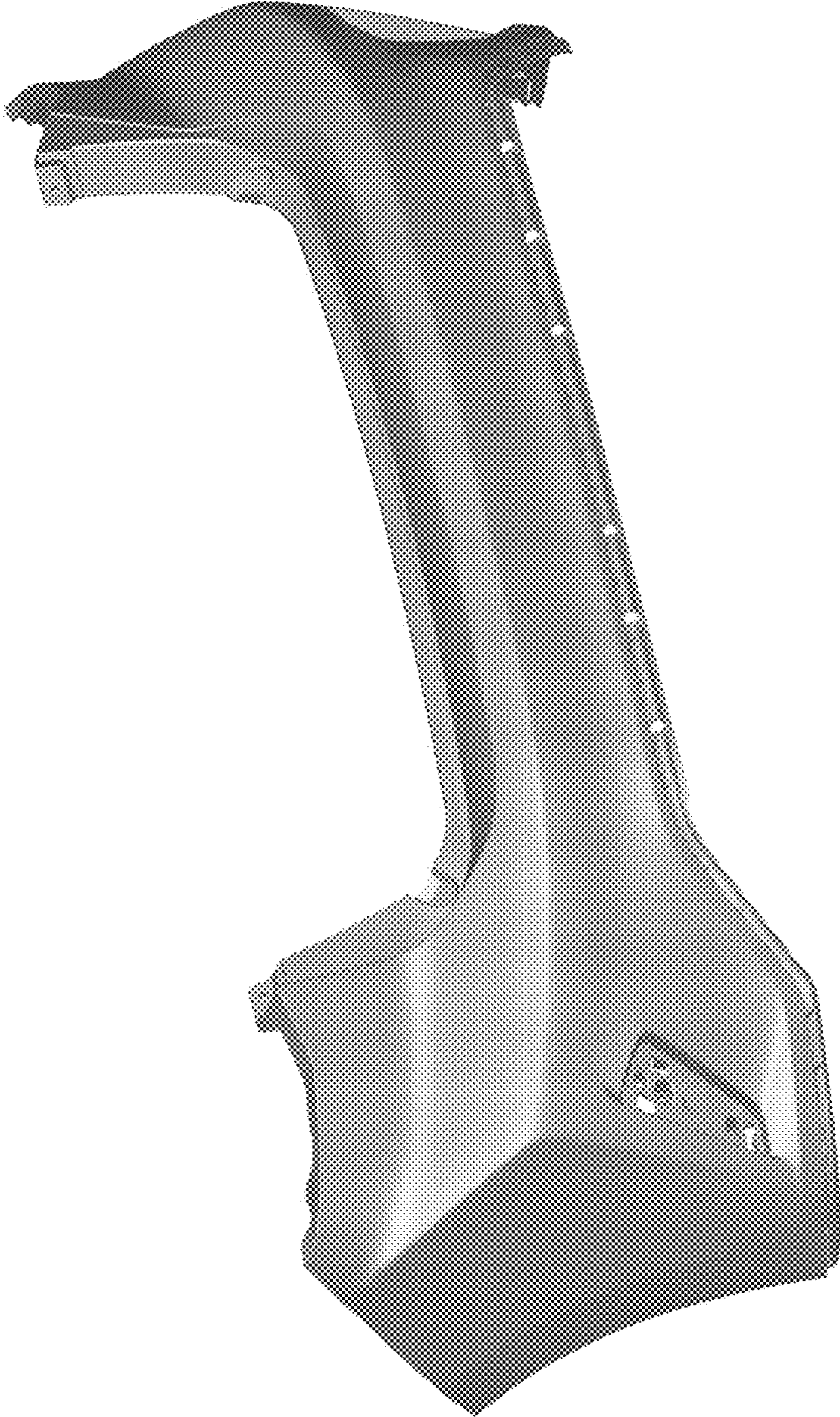






Fig. 8

Fig. 9

