



US00D870607S

(12) **United States Design Patent** (10) **Patent No.:** **US D870,607 S**  
**Takei et al.** (45) **Date of Patent:** **\*\* Dec. 24, 2019**

(54) **MOTOR VEHICLE AND/OR TOY REPLICA THEREOF**  
(71) Applicants: **Tatsuya Takei**, Toyota (JP); **Yahiko Kumai**, Toyota (JP); **Tomonori Matsumoto**, Irvine, CA (US)  
(72) Inventors: **Tatsuya Takei**, Toyota (JP); **Yahiko Kumai**, Toyota (JP); **Tomonori Matsumoto**, Irvine, CA (US)  
(73) Assignee: **TOYOTA JIDOSHA KABUSHIKI KAISHA** (JP)  
(\*\*) Term: **15 Years**  
(21) Appl. No.: **29/642,183**  
(22) Filed: **Mar. 28, 2018**  
(51) **LOC (12) Cl.** ..... **12-16**  
(52) **U.S. Cl.**  
USPC ..... **D12/164**  
(58) **Field of Classification Search**  
USPC ..... D12/86, 90-92, 88, 164; 296/181.1, 296/181.5  
CPC ..... B62D 35/00; B62D 25/00; B62D 25/06; B62D 33/00  
See application file for complete search history.

(56) **References Cited**  
U.S. PATENT DOCUMENTS  
D687,348 S \* 8/2013 Nurnberger ..... D12/92  
D693,274 S \* 11/2013 Tamatani ..... D12/92  
D704,102 S \* 5/2014 Nurnberger ..... D12/92  
D715,195 S \* 10/2014 Tomatsu ..... D12/92  
D716,699 S \* 11/2014 Sakae ..... D12/92  
D716,700 S \* 11/2014 Matsumoto ..... D12/92  
D717,211 S \* 11/2014 Stephenson ..... D12/92  
D719,065 S \* 12/2014 Sakae ..... D12/92  
D743,845 S \* 11/2015 Hirai ..... D12/92  
D758,251 S \* 6/2016 Jelec ..... D12/92  
D774,950 S \* 12/2016 Holgate ..... D12/92

D780,635 S \* 3/2017 O'Connell ..... D12/92  
D780,636 S \* 3/2017 Kahn ..... D12/92  
D781,183 S \* 3/2017 Suga ..... D12/92  
D792,286 S \* 7/2017 Nakayama ..... D12/92  
D804,997 S \* 12/2017 Hayashi ..... D12/92  
D809,972 S \* 2/2018 Fisker ..... D12/92  
D829,609 S \* 10/2018 Niimi ..... D12/92  
D839,798 S \* 2/2019 Cartabiano ..... D12/164  
D839,799 S \* 2/2019 Roller ..... D12/164  
(Continued)

**OTHER PUBLICATIONS**

Netcarshow, Toyota FT-1 Concept (2014), <[https://www.netcarshow.com/toyota/2014-ft-1\\_concept/](https://www.netcarshow.com/toyota/2014-ft-1_concept/)>, available as early as Mar. 29, 2016.

(Continued)

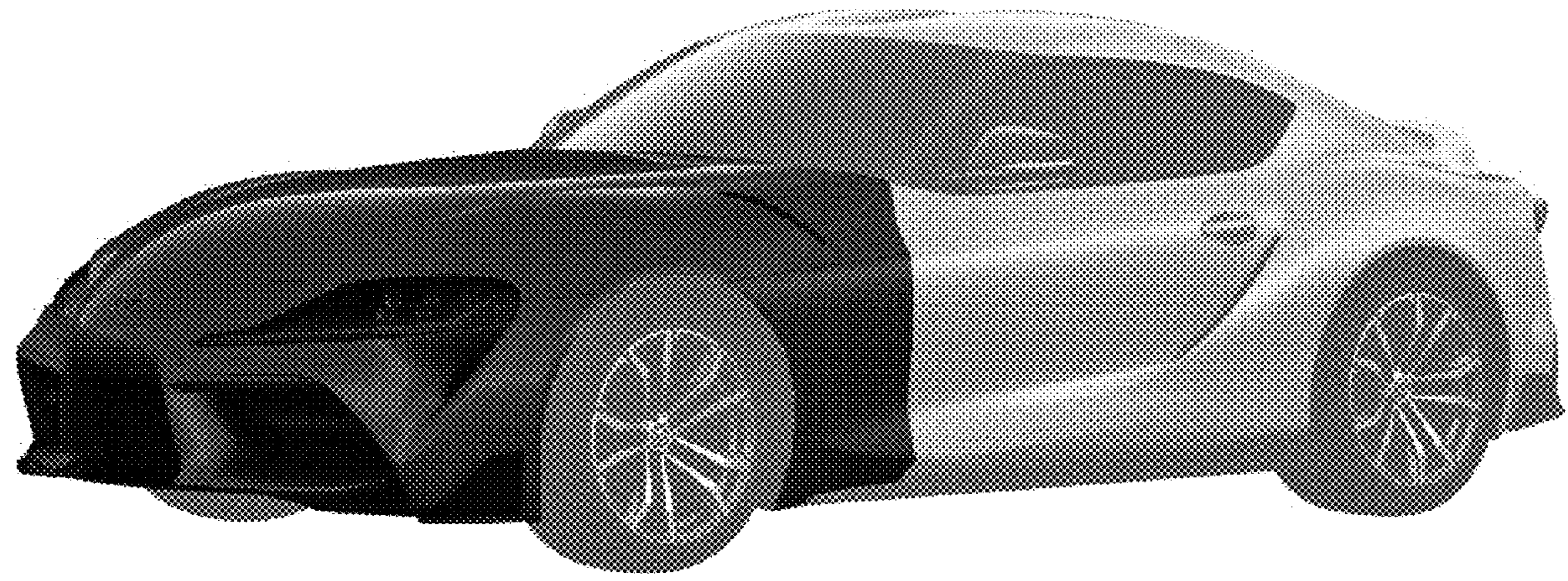
*Primary Examiner* — Melody N Brown  
(74) *Attorney, Agent, or Firm* — Saidman DesignLaw Group, LLC

(57) **CLAIM**  
The ornamental design for a motor vehicle and/or toy replica thereof, as shown and described.

**DESCRIPTION**

FIG. 1 is a front and left side perspective view of a vehicle and/or toy replica thereof showing our new design; FIG. 2 is a front and right side perspective view thereof; FIG. 3 is a rear and left side perspective view thereof; FIG. 4 is a rear and right side perspective view thereof; FIG. 5 is a front view thereof; FIG. 6 is a rear view thereof; FIG. 7 is a left side view thereof; FIG. 8 is a right side view thereof; and, FIG. 9 is a top view thereof. The claimed design is indicated by the relatively dark portions in the figures. The relatively light portions form no part of the claimed design.

**1 Claim, 9 Drawing Sheets**



(56)

**References Cited**

U.S. PATENT DOCUMENTS

D840,874 S \* 2/2019 Fisker ..... D12/92  
D840,882 S \* 2/2019 Lee ..... D12/164

OTHER PUBLICATIONS

Netcarshow, Toyota GT 86 (2013), <[https://www.netcarshow.com/toyota/2013-gt\\_86/](https://www.netcarshow.com/toyota/2013-gt_86/)>, available as early as Mar. 29, 2016.  
Netcarshow, Alfa Romeo 4C (2014), <[https://www.netcarshow.com/alfa\\_romeo/2014-4c/](https://www.netcarshow.com/alfa_romeo/2014-4c/)>, available as early as Mar. 29, 2016.

\* cited by examiner

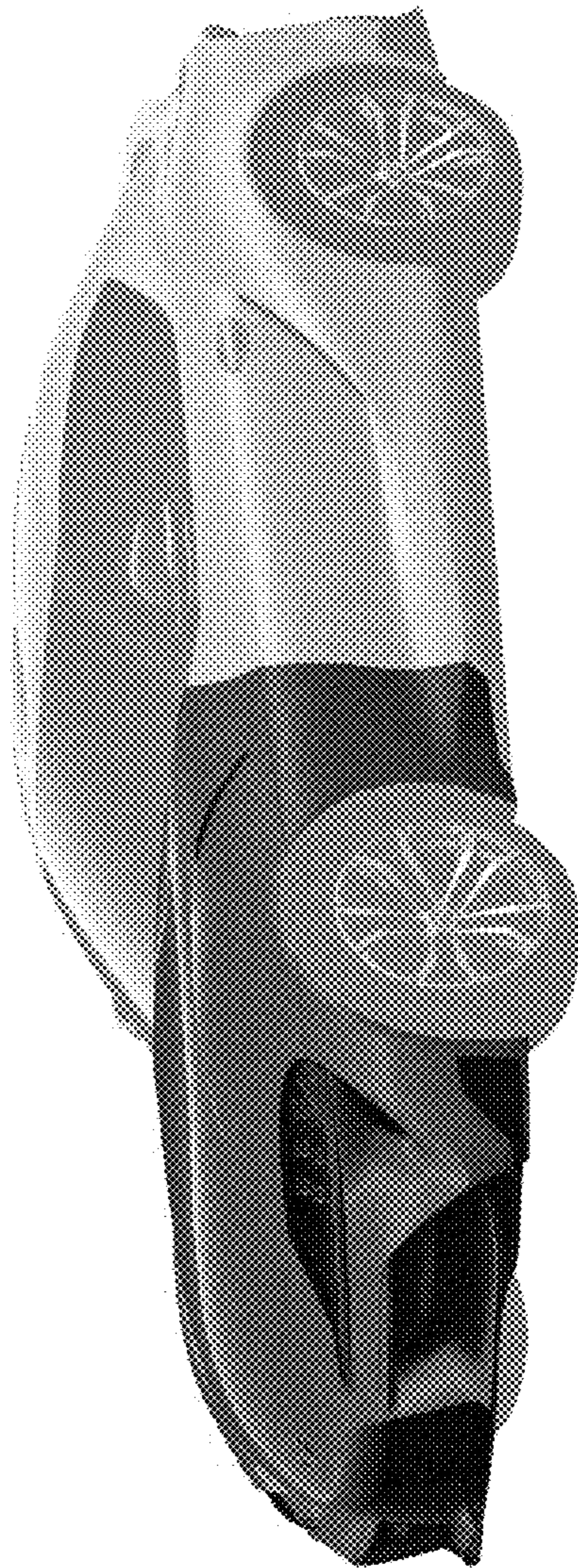


FIG. 1

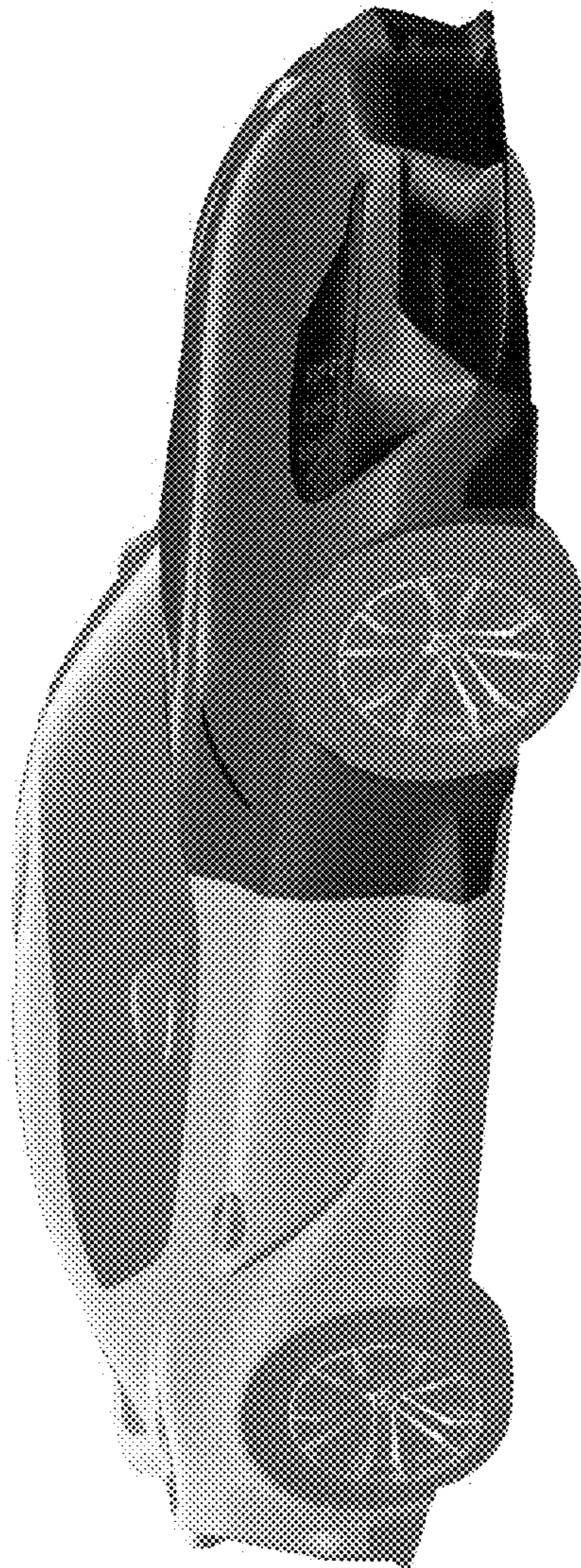


FIG. 2

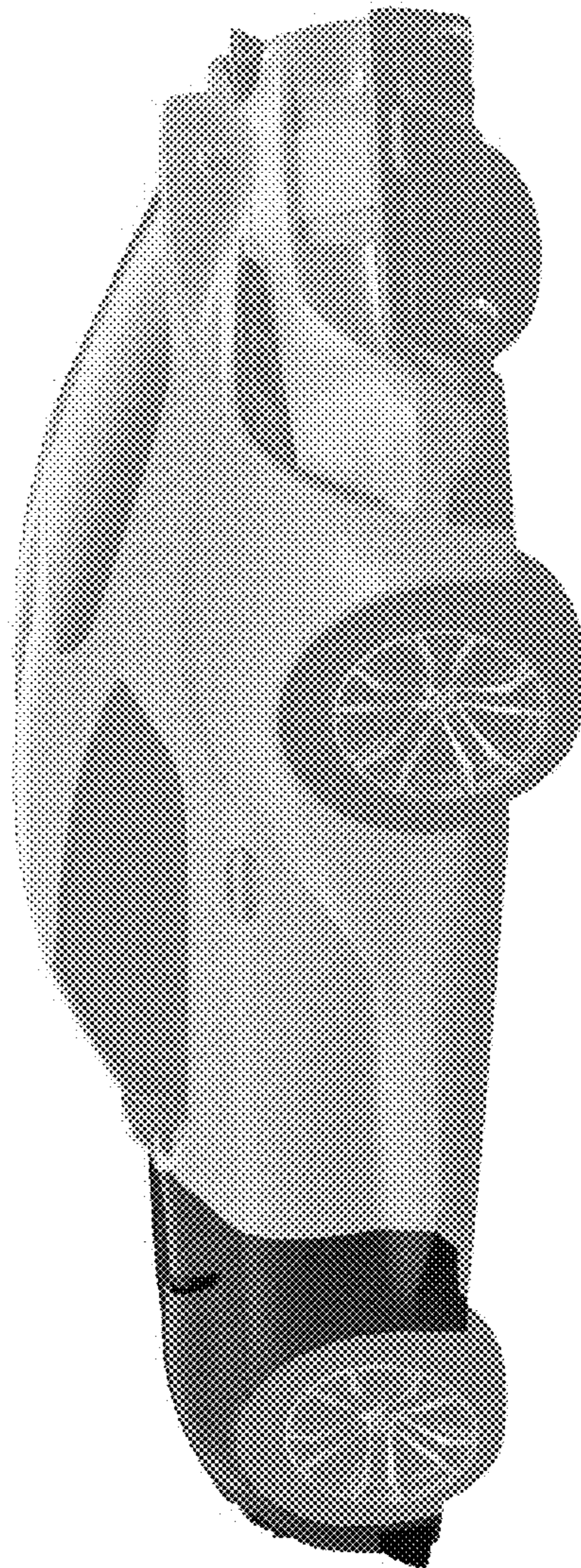


FIG. 3

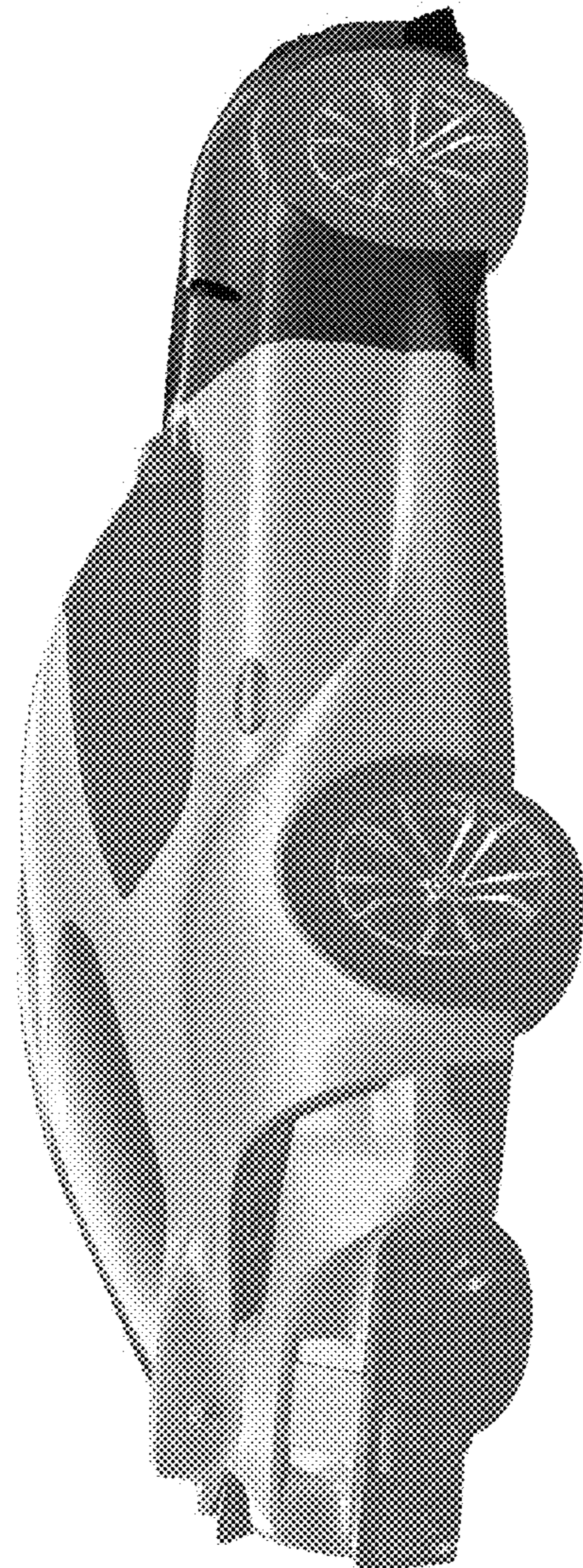


FIG. 4

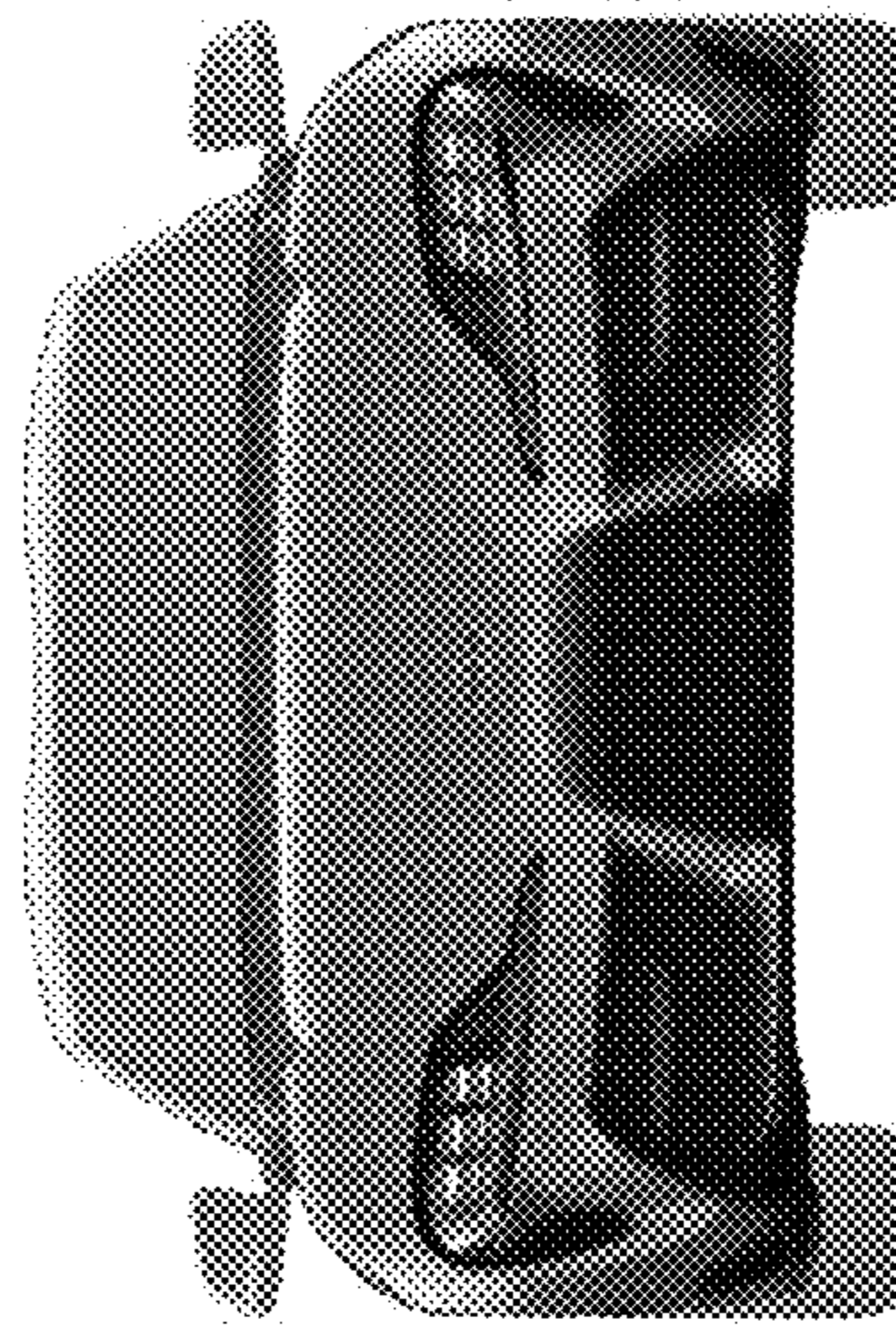


FIG. 5

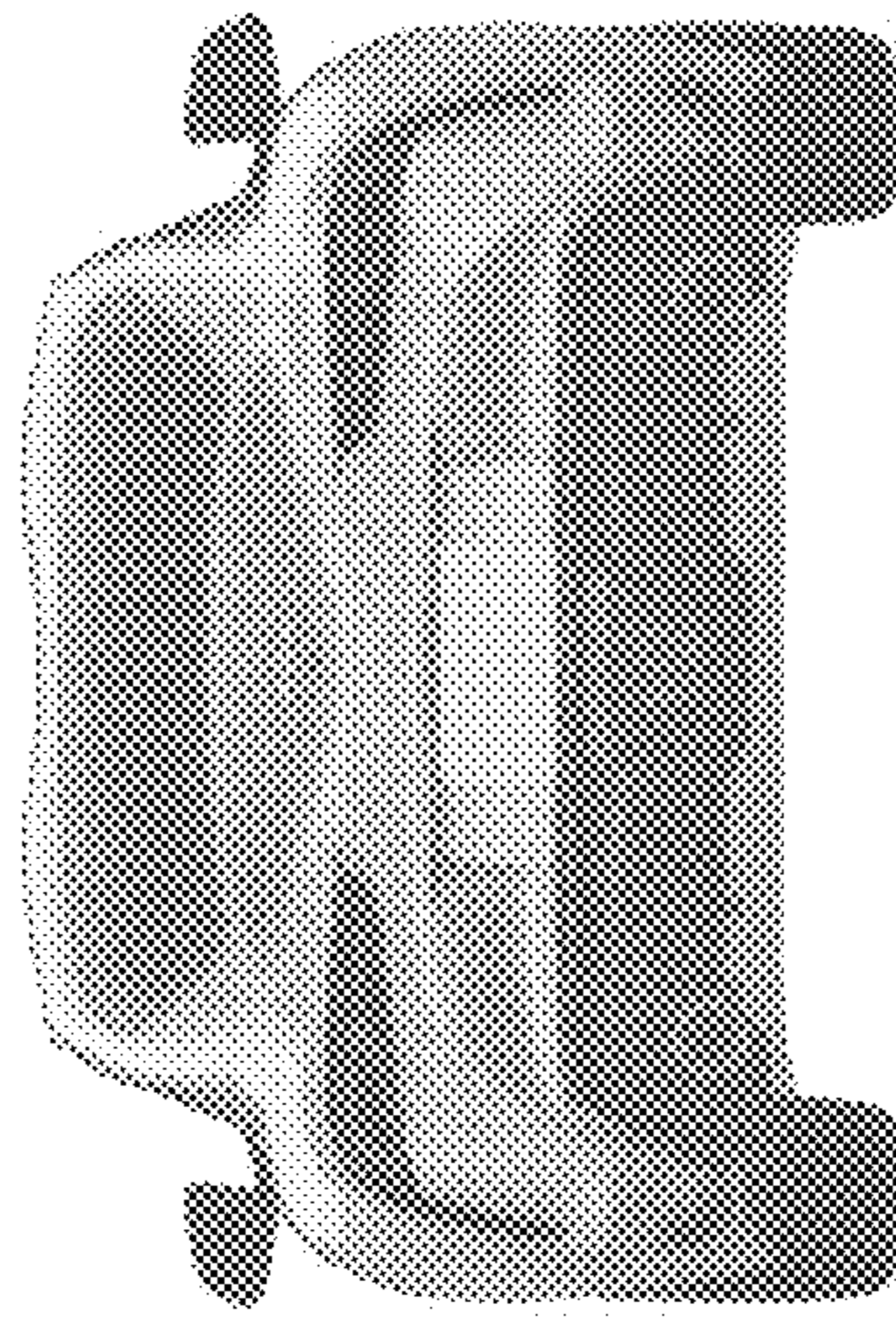


FIG. 6



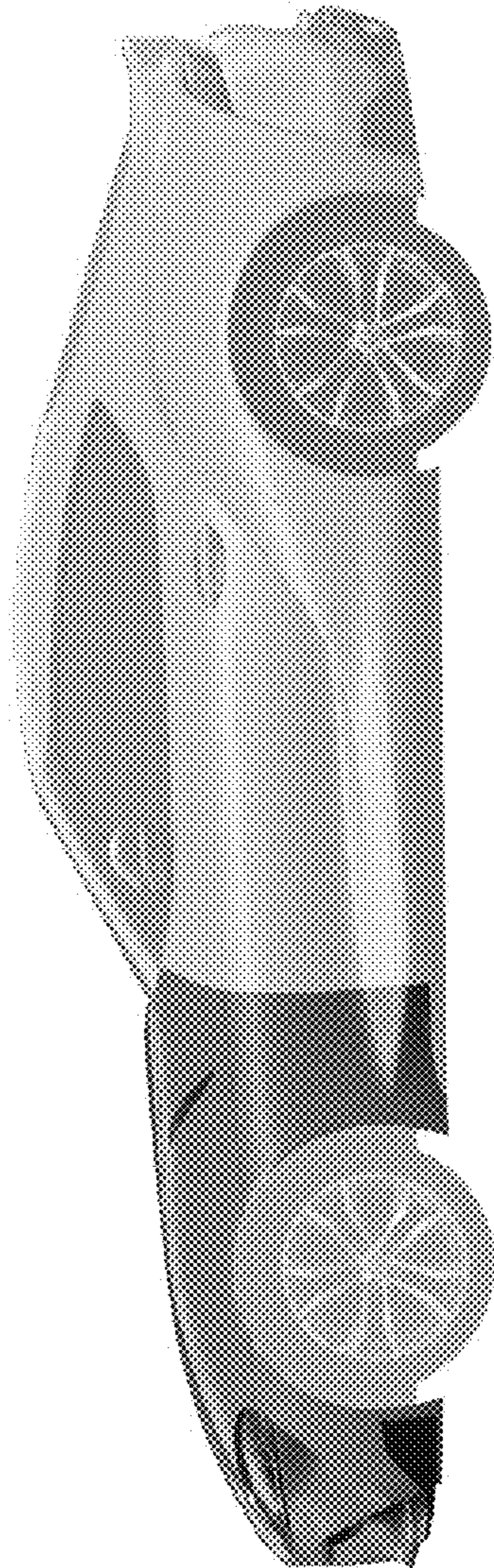


FIG. 7

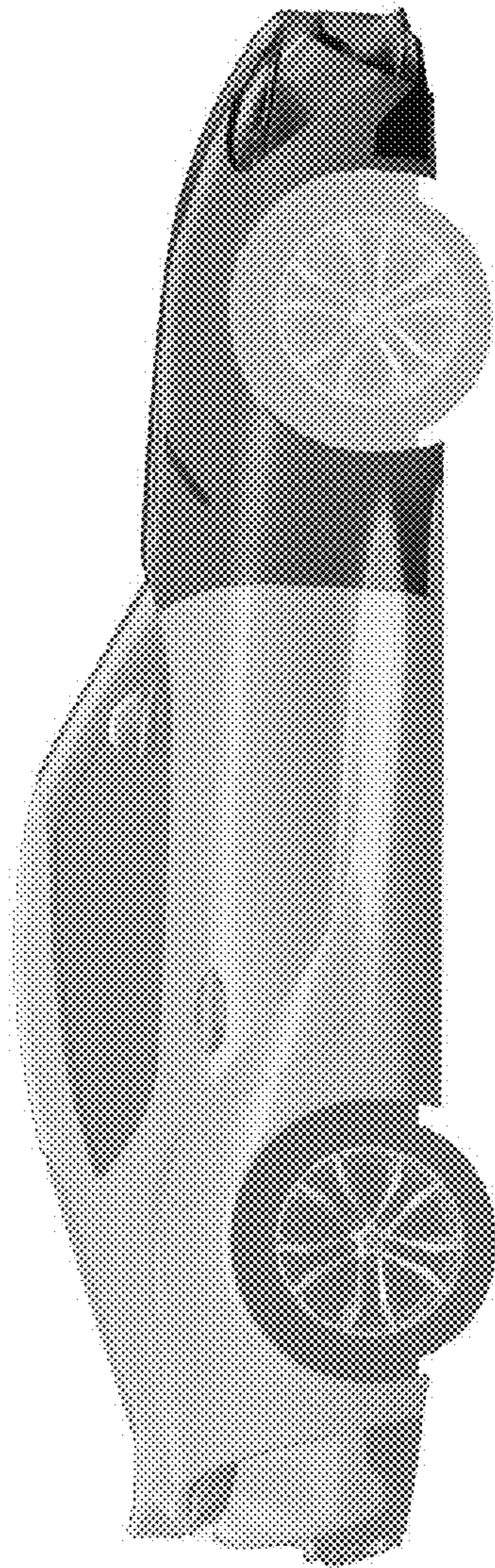


FIG. 8

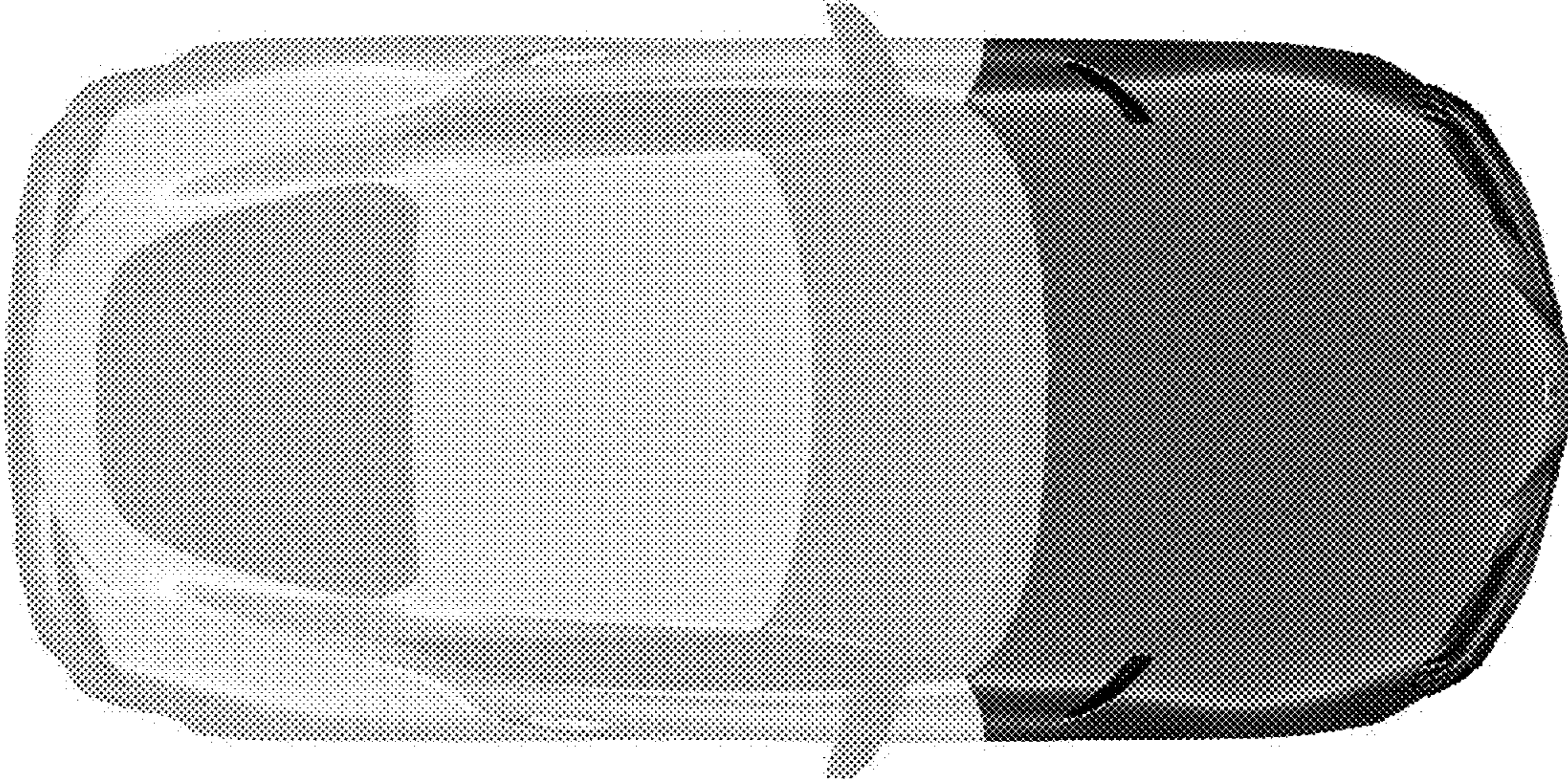


FIG. 9