



US00D870606S

(12) **United States Design Patent**
Hagler et al.

(10) **Patent No.:** **US D870,606 S**

(45) **Date of Patent:** **** Dec. 24, 2019**

(54) **FRONT GRILL FOR A MODEL VEHICLE**

(71) Applicant: **Traxxas, LP**, McKinney, TX (US)

(72) Inventors: **Skylar Hagler**, Anna, TX (US);
Jonathan Scott Wood, Lewisville, TX (US)

(73) Assignee: **TRAXXAS LP**, McKinney, TX (US)

(**) Term: **15 Years**

(21) Appl. No.: **29/649,739**

(22) Filed: **Jun. 1, 2018**

(51) **LOC (12) Cl.** **12-16**

(52) **U.S. Cl.**
USPC **D12/163**

(58) **Field of Classification Search**
USPC D12/169, 196, 86, 90-92, 163, 190, 98,
D12/164; 293/102, 113, 115, 117, 120,
293/193.11; 296/180.1, 180.2; 180/68.1,
180/68.6
CPC B60R 19/52; B60K 11/08; B62D 25/08;
B62B 9/16
See application file for complete search history.

(56) **References Cited**

U.S. PATENT DOCUMENTS

D561,658 S * 2/2008 Thomas D12/163
D593,461 S * 6/2009 Kouzai D12/163

D605,566 S * 12/2009 Wong D12/163
D613,648 S * 4/2010 Wong D12/163
D613,649 S * 4/2010 Wong D12/163
D624,467 S * 9/2010 Pezzini D12/163
D624,468 S * 9/2010 Wong D12/163
D856,200 S * 8/2019 Dewitt D12/163
D858,370 S * 9/2019 Gittin D12/163

* cited by examiner

Primary Examiner — Melody N Brown

(74) *Attorney, Agent, or Firm* — Daryl R. Wright; Greg Carr

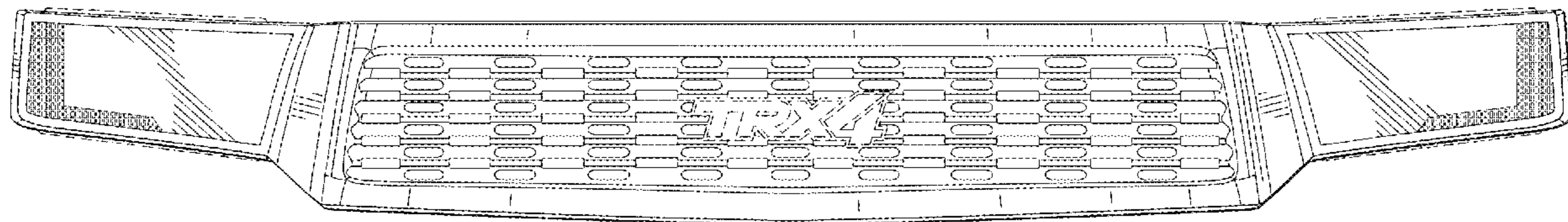
(57) **CLAIM**

We claim the ornamental design for a front grill for a model vehicle, as shown and described.

DESCRIPTION

FIG. 1 is a top, front and left side perspective view of a front grill for a model vehicle showing our new design;
FIG. 2 is a front elevation view thereof;
FIG. 3 is a rear elevation view thereof;
FIG. 4 is a left side view thereof;
FIG. 5 is a right side view thereof;
FIG. 6 is a top plan view thereof;
FIG. 7 is a bottom plan view thereof; and,
FIG. 8 is a top, rear and right side perspective view thereof.
In the drawings, the broken line showing of features of the front grill for a model vehicle illustrate portions of the front grill for a model vehicle that form no part of the claimed design.

1 Claim, 5 Drawing Sheets



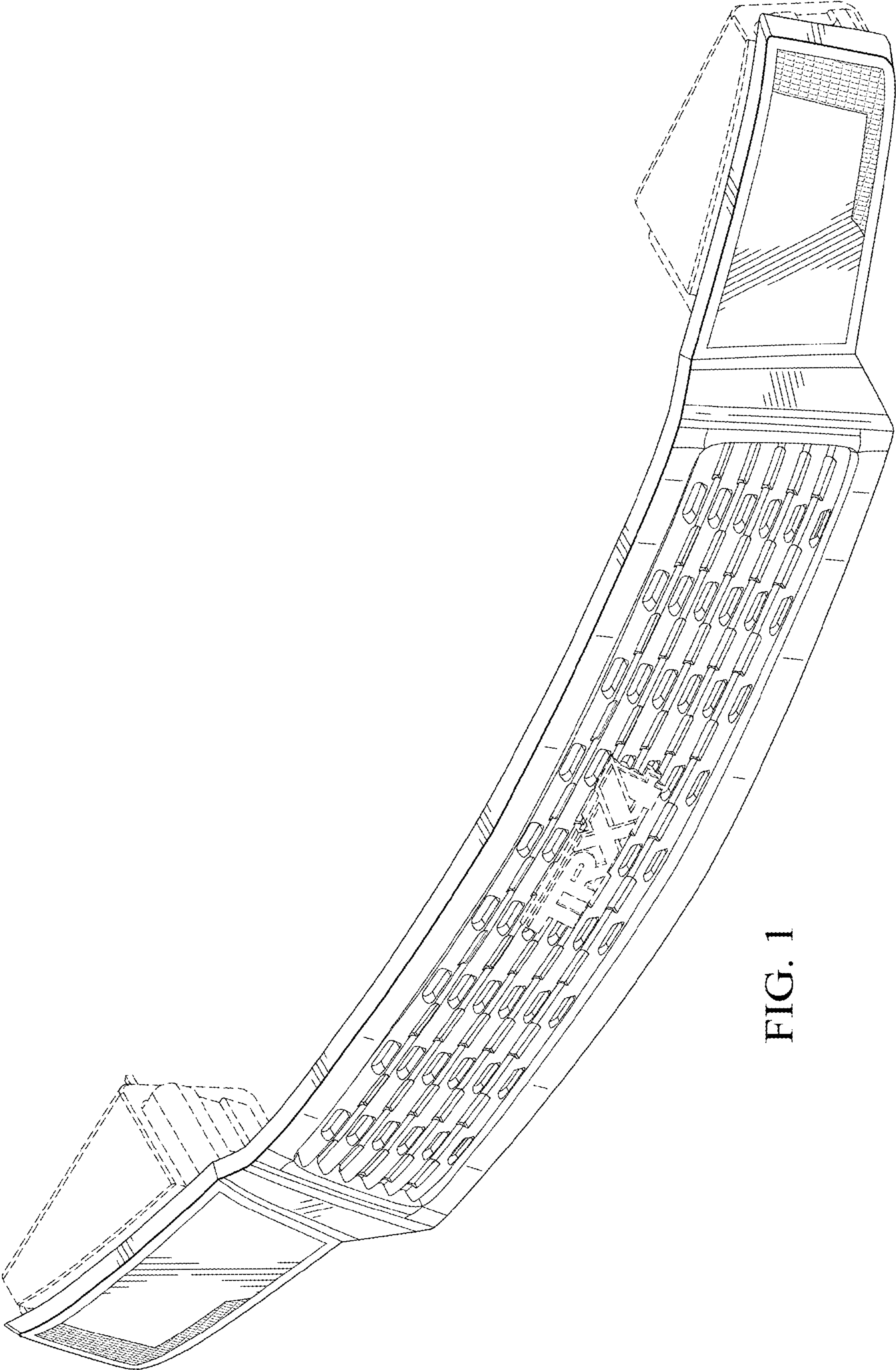


FIG. 1

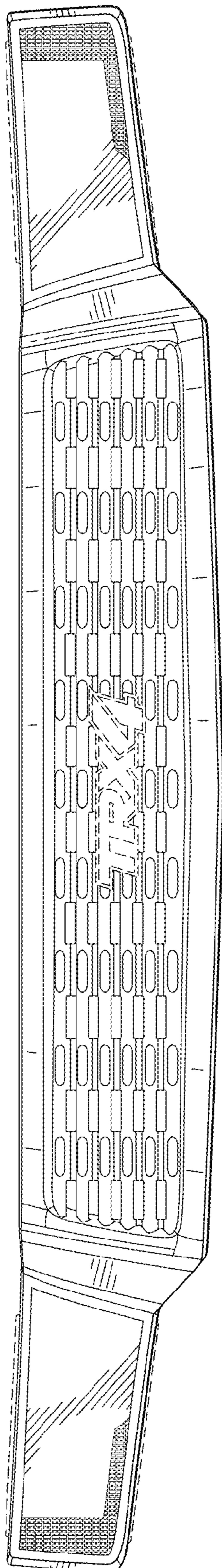


FIG. 2

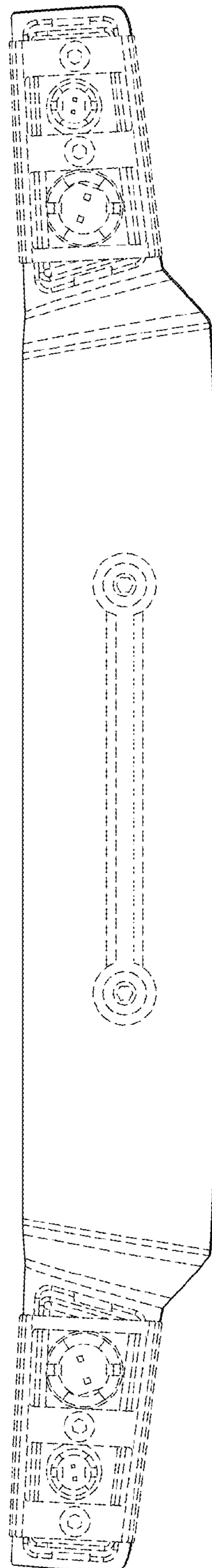


FIG. 3

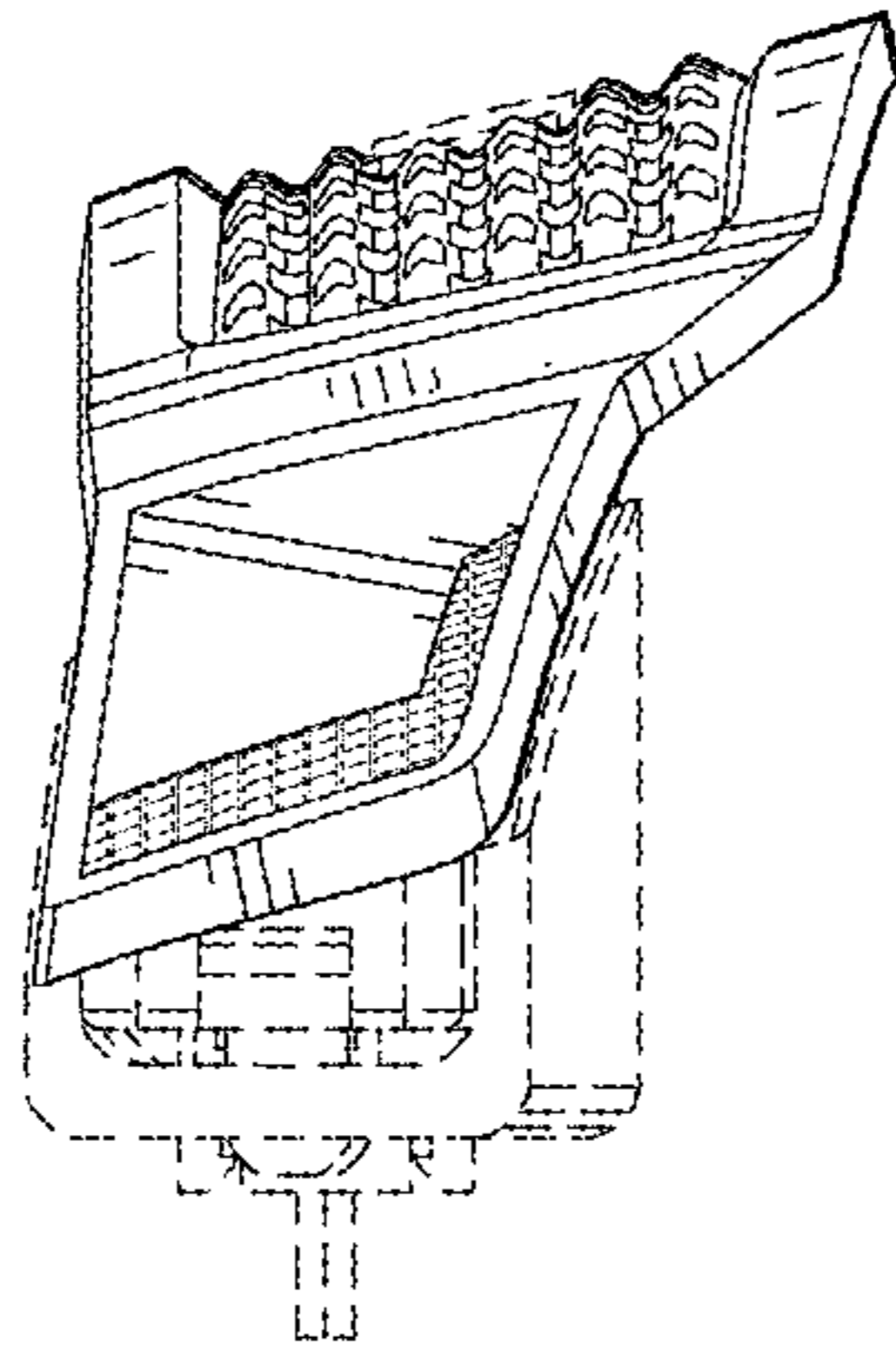


FIG. 5

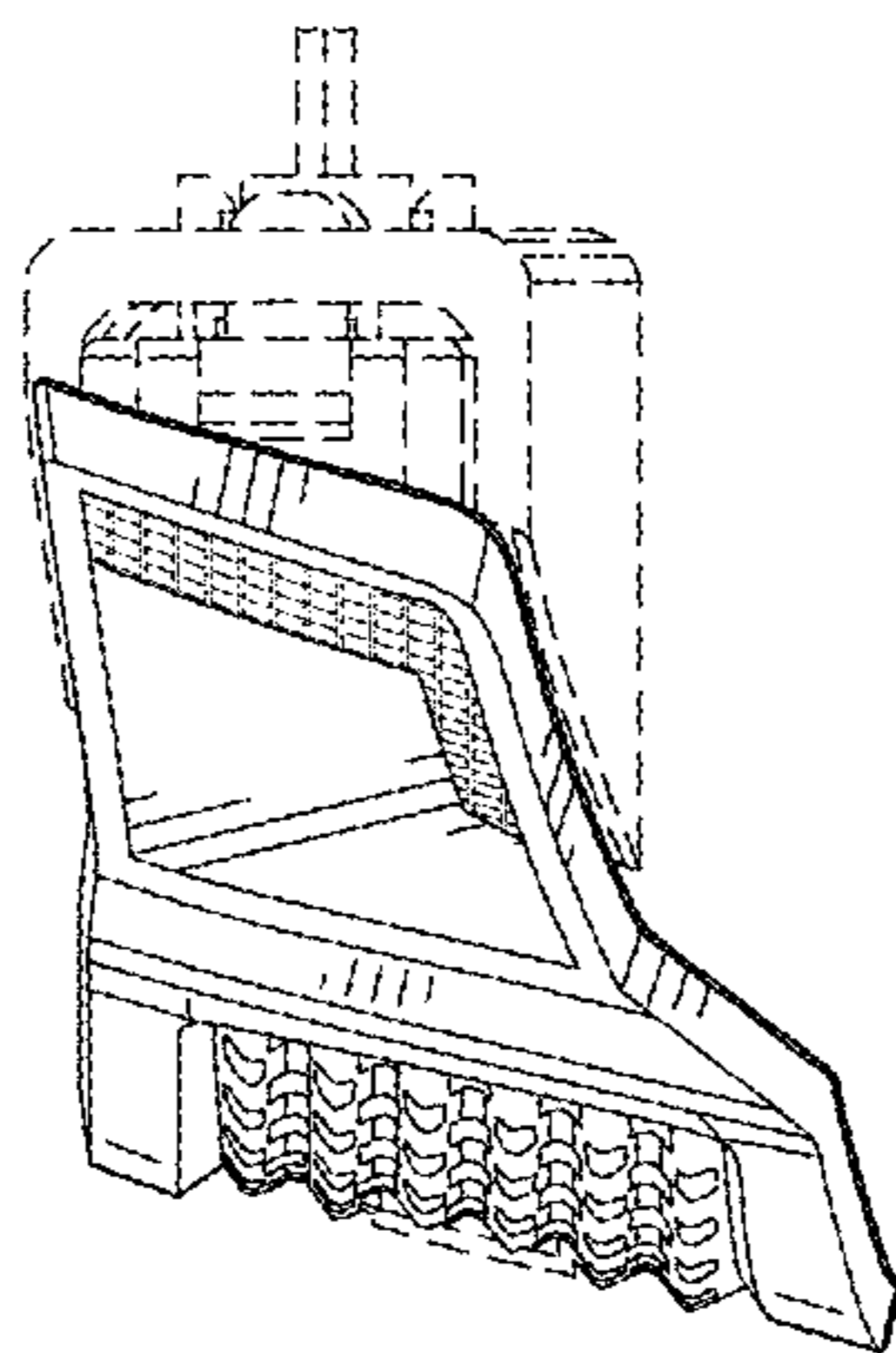


FIG. 4

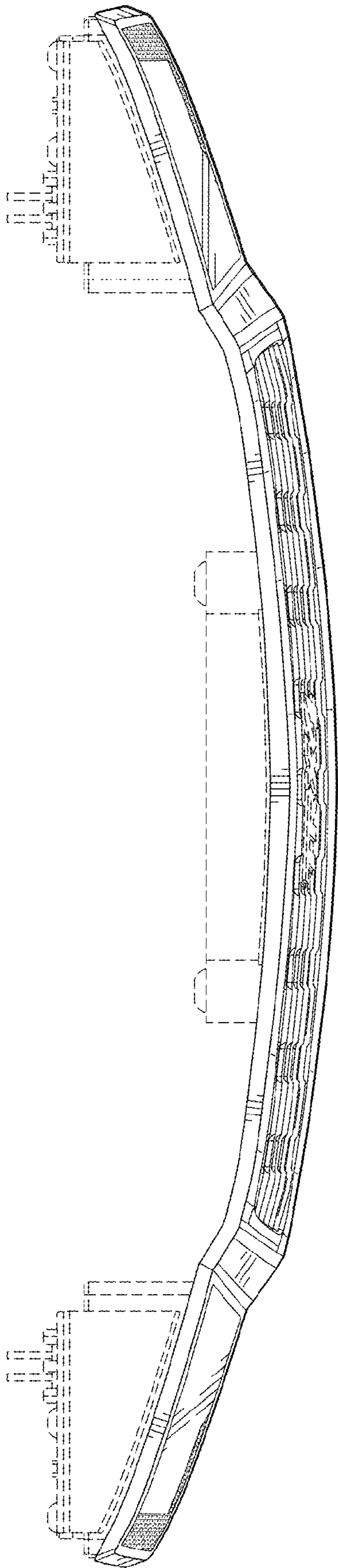


FIG. 6

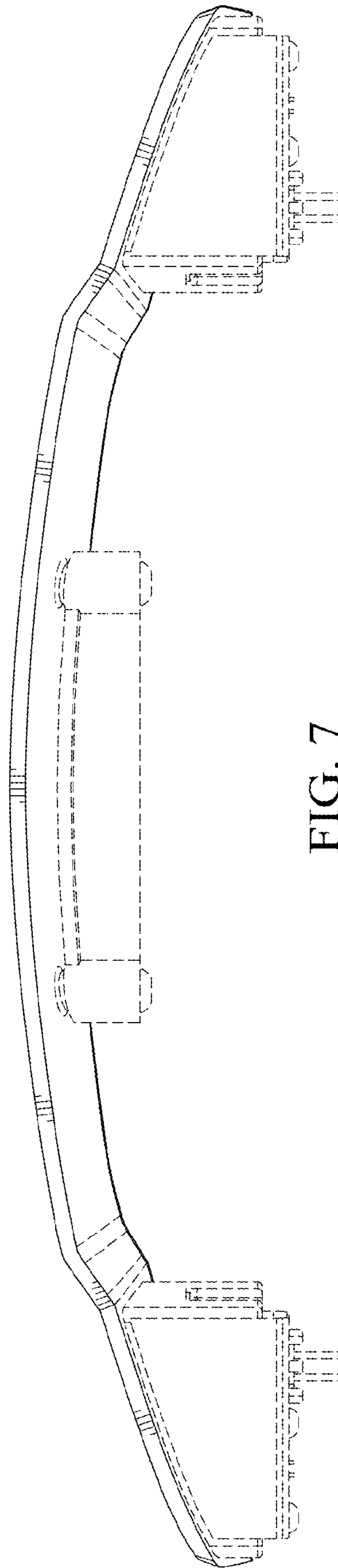


FIG. 7

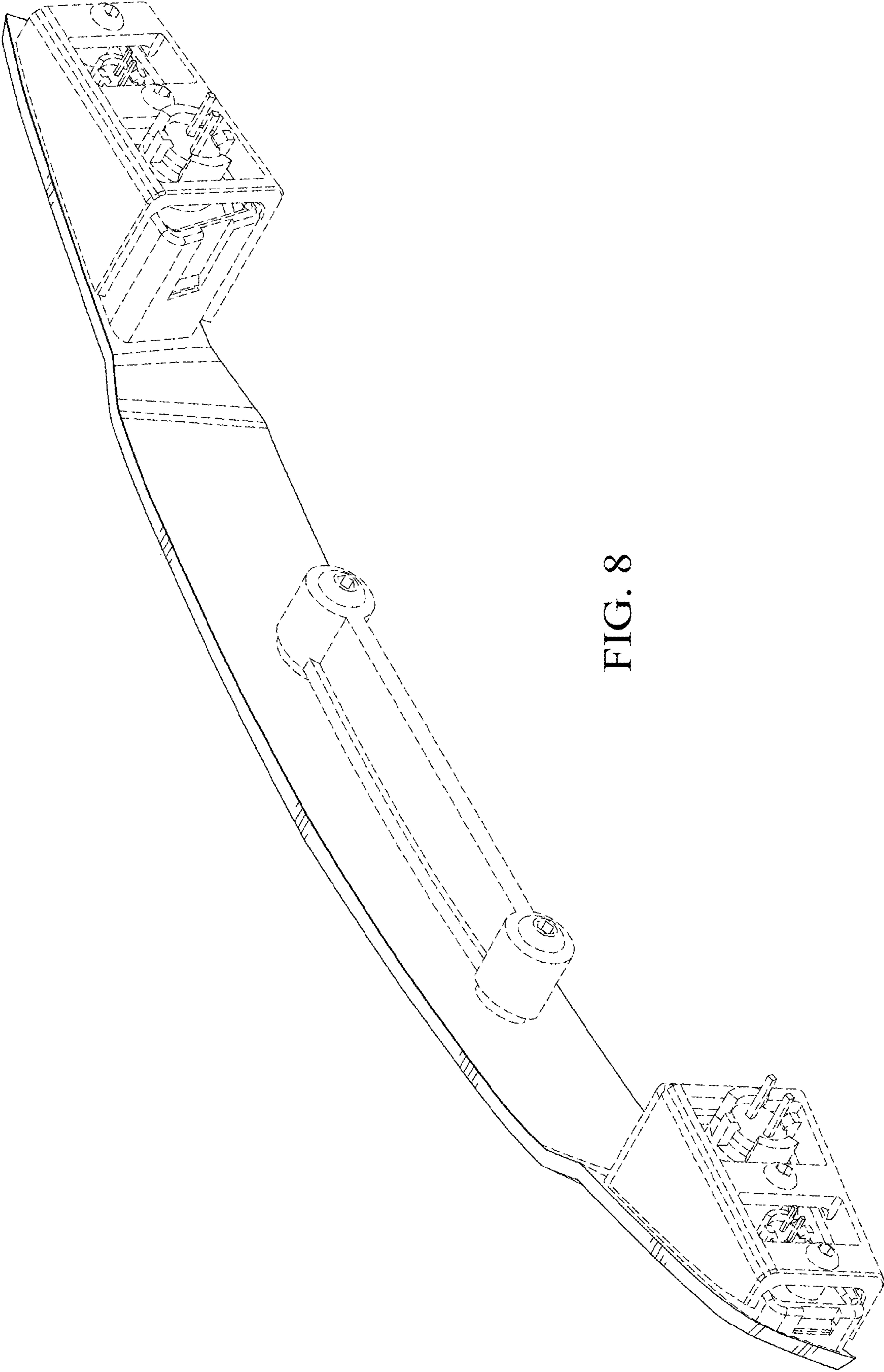


FIG. 8