



US00D870605S

(12) **United States Design Patent** (10) **Patent No.:** **US D870,605 S**
Huebner (45) **Date of Patent:** **** Dec. 24, 2019**

(54) **GOOSE NECK TRAILER HITCH** 8,091,914 B1 * 1/2012 Long B60D 1/363
280/477
(71) Applicant: **Robert L. Huebner**, Santa Anna, TX 8,096,572 B1 1/2012 Greene
(US) D687,353 S * 8/2013 Dunn D12/162
D709,409 S 7/2014 Story
(72) Inventor: **Robert L. Huebner**, Santa Anna, TX 8,919,804 B2 * 12/2014 Svihla B60D 1/363
(US) 280/495

(**) Term: **15 Years**

(21) Appl. No.: **29/675,142**

(22) Filed: **Dec. 28, 2018**

(51) **LOC (12) Cl.** **12-16**

(52) **U.S. Cl.**
USPC **D12/162**

(58) **Field of Classification Search**
CPC . B60D 1/60; B60D 1/065; B60D 1/00; B60D
1/06; B60D 1/36
See application file for complete search history.

(56) **References Cited**

U.S. PATENT DOCUMENTS

2,925,286	A	2/1960	Hodges, Jr. et al.	
3,837,675	A	9/1974	Barnes et al.	
D311,511	S	10/1990	Craig	
5,125,679	A	6/1992	Delano	
5,503,422	A *	4/1996	Austin	B60D 1/06 280/477
5,529,330	A	6/1996	Roman	
5,549,316	A *	8/1996	Jones	B60D 1/363 280/477
5,697,630	A *	12/1997	Thompson	B60D 1/363 280/477
D414,732	S *	10/1999	Redmond	D12/162
6,179,318	B1	1/2001	Howard	
D503,131	S *	3/2005	Underwood	B60D 1/075 D12/162
6,948,733	B2 *	9/2005	Webster	B60D 1/363 280/477
D563,838	S *	3/2008	McCowan	B60D 1/583 D12/162

(Continued)
Primary Examiner — Katrina A Betton
(74) *Attorney, Agent, or Firm* — Whitaker Chalk Swindle
& Schwartz PLLC; Charles Gunter

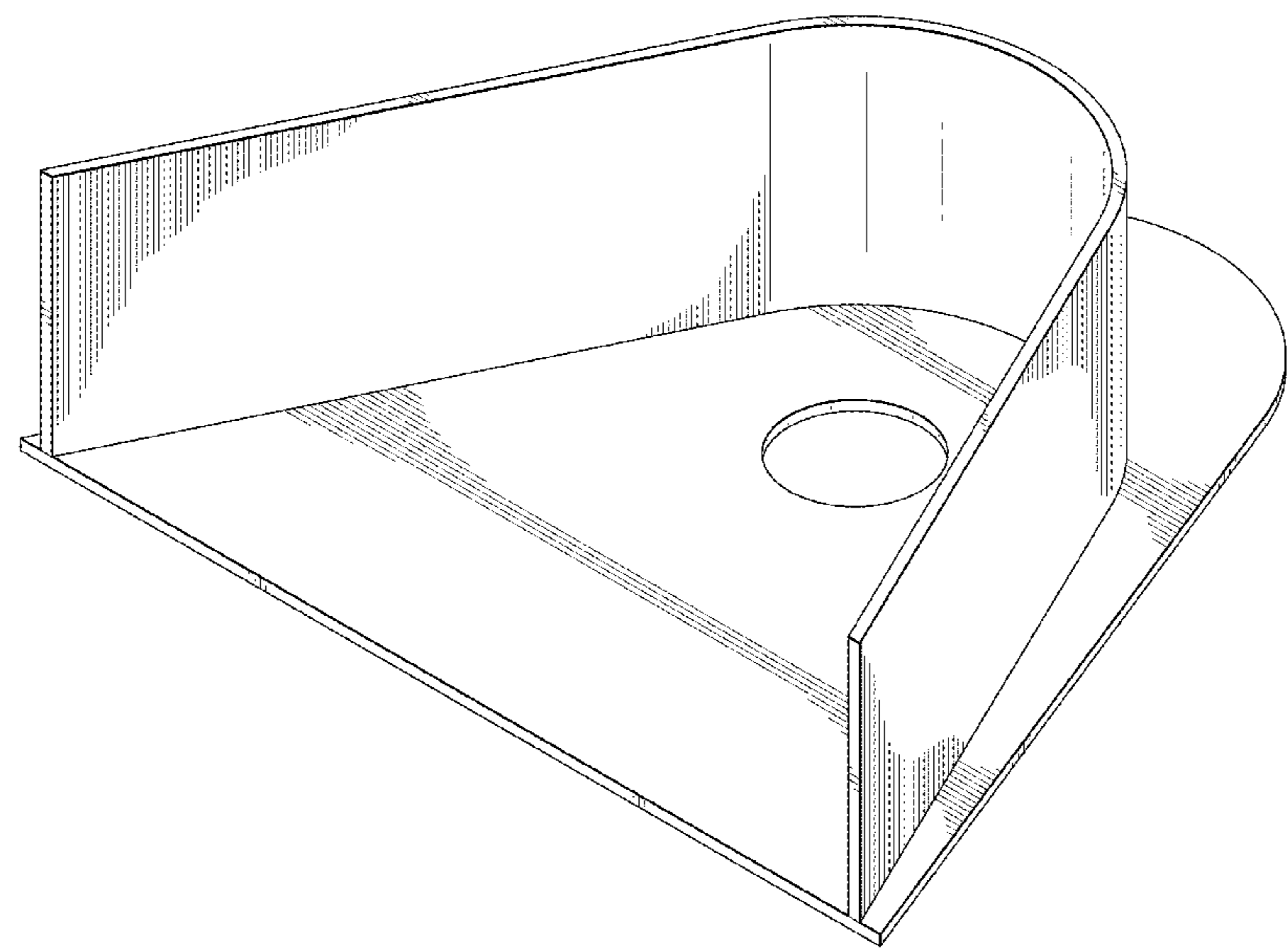
(57) **CLAIM**

The ornamental design for a goose neck trailer hitch, as shown and described.

DESCRIPTION

FIG. 1 is a front perspective view of the goose neck trailer hitch of the invention;
FIG. 2 is a front elevation view of the goose neck trailer hitch of FIG. 1;
FIG. 3 is a rear elevation view of the goose neck trailer hitch of FIG. 1;
FIG. 4 is a right side view of the goose neck trailer hitch of FIG. 1;
FIG. 5 is a left side view of the goose neck trailer hitch of FIG. 1;
FIG. 6 is a top plan view of the goose neck trailer hitch of FIG. 1;
FIG. 7 is a bottom plan view of the goose neck trailer hitch of FIG. 1; and,
FIG. 8 is an environmental view of the goose neck trailer hitch of the invention showing its intended use mounted in the bed of a truck.
The broken lines in the drawings depict portions of the design and environmental features that form no part of the claimed design.

1 Claim, 6 Drawing Sheets



(56)

References Cited

U.S. PATENT DOCUMENTS

D729,703	S	*	5/2015	Song	D12/162
D832,748	S	*	11/2018	Scott	D12/162
D837,103	S	*	1/2019	Armigliato	B60D 1/06 D12/162
D837,698	S	*	1/2019	Song	B60D 1/06 D12/162
D838,630	S	*	1/2019	Borkholder	D12/162
D847,698	S	*	5/2019	Moore	B60D 1/07 D12/162
D855,500	S	*	8/2019	Metternich	B60D 1/02 D12/162

* cited by examiner

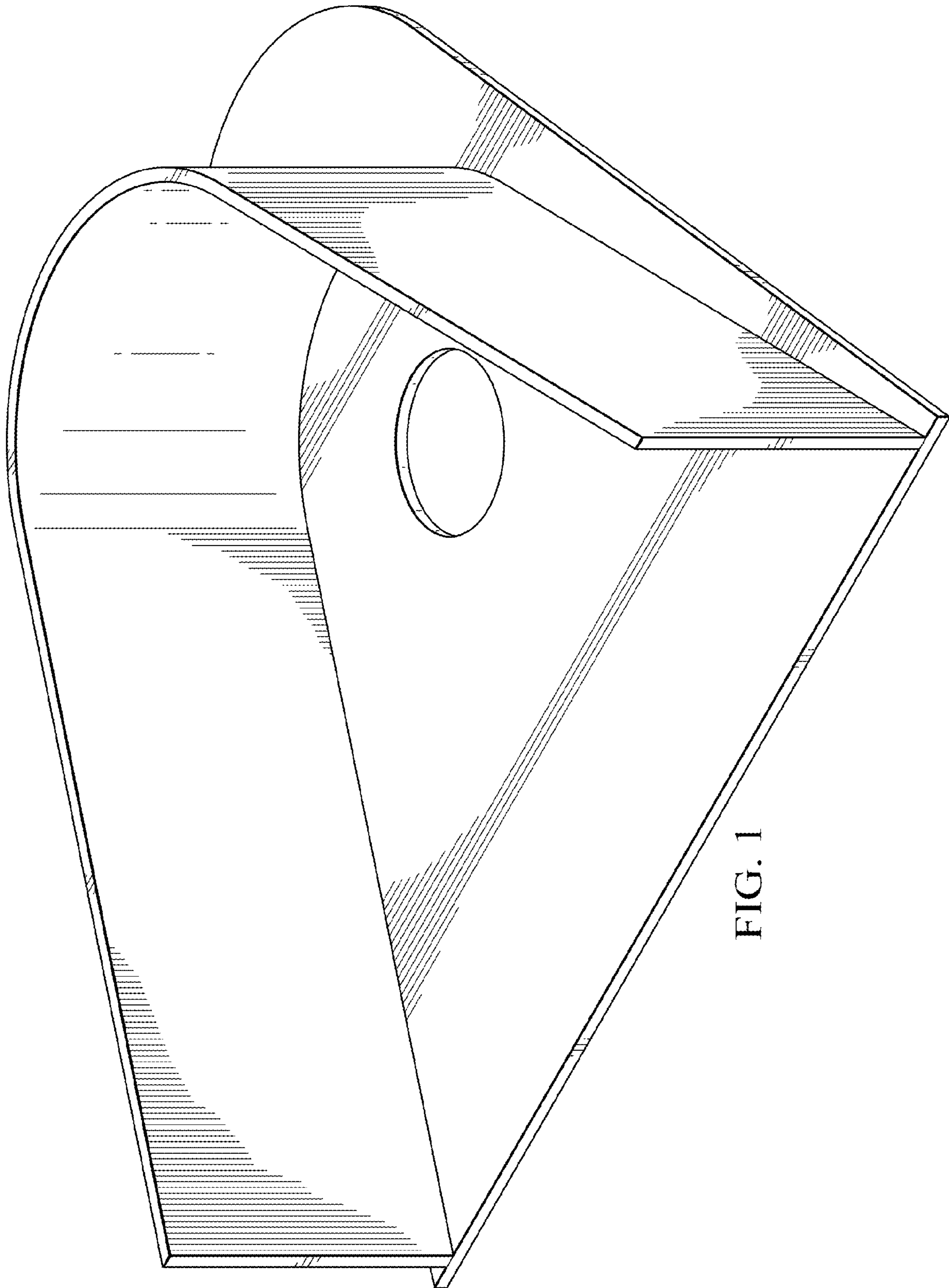


FIG. 1

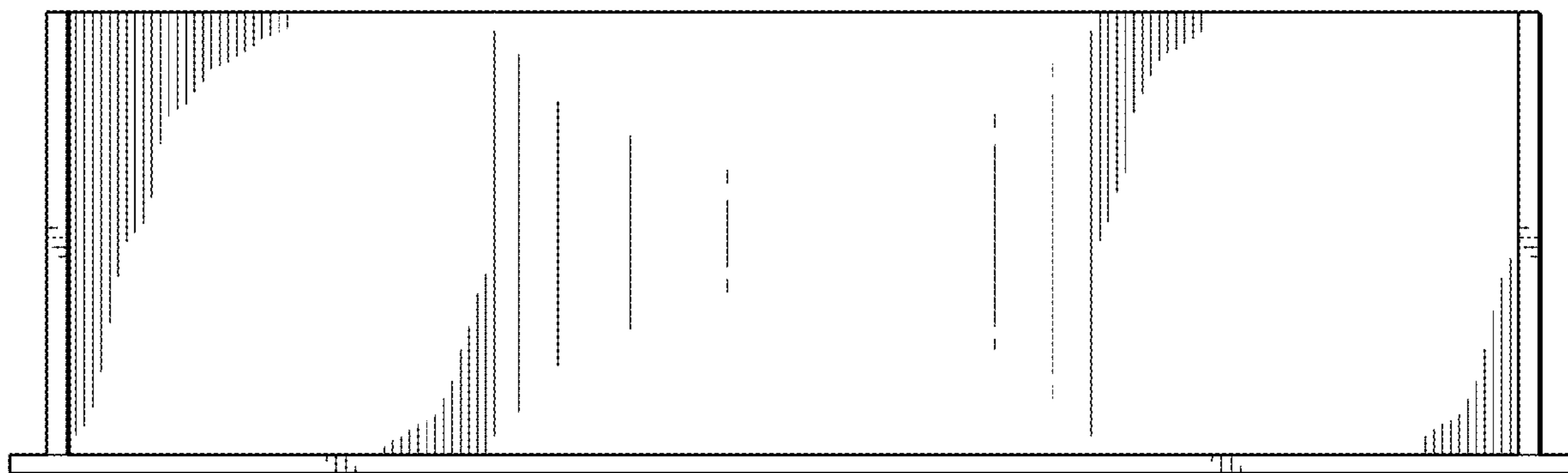


FIG. 2

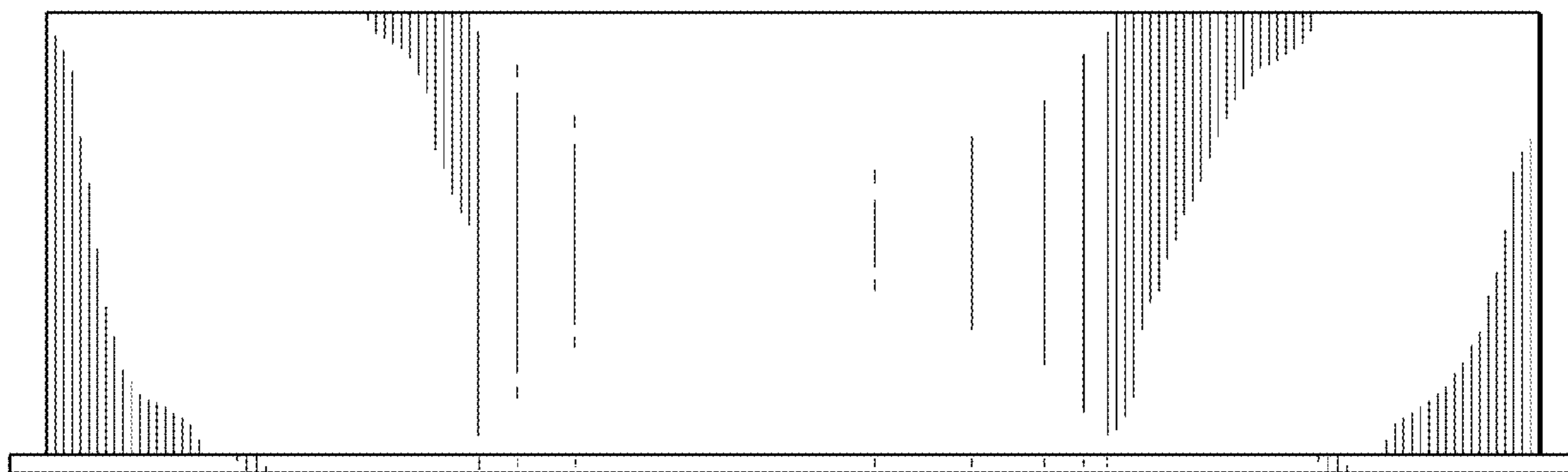


FIG. 3

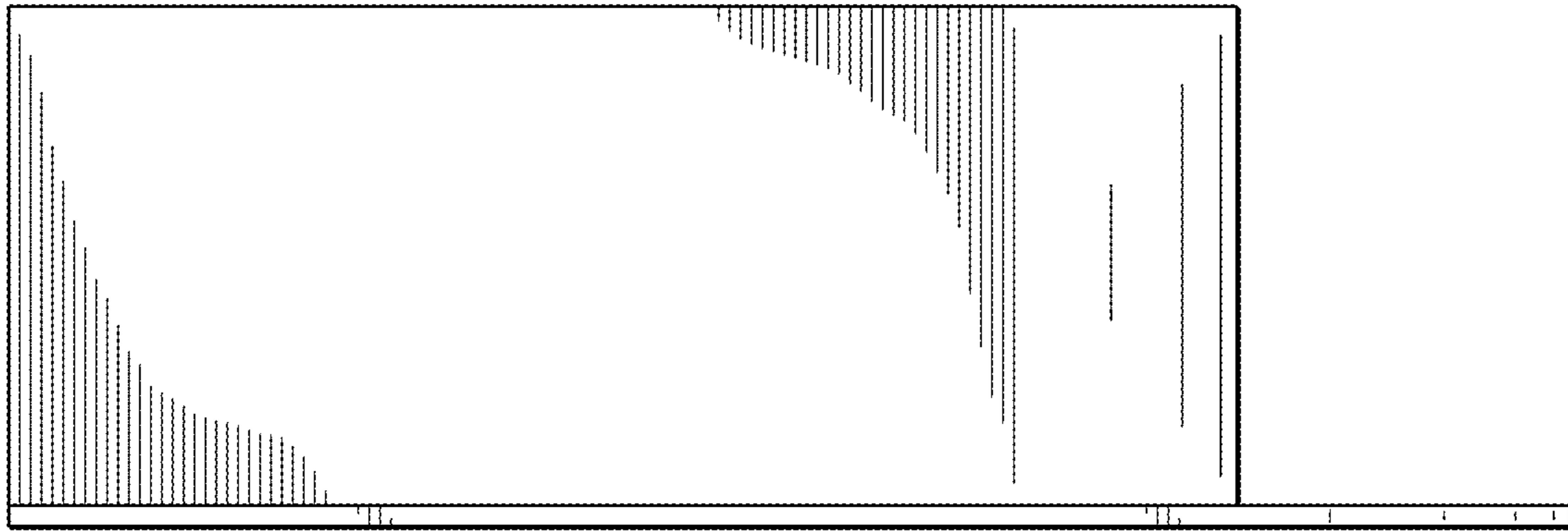


FIG. 4

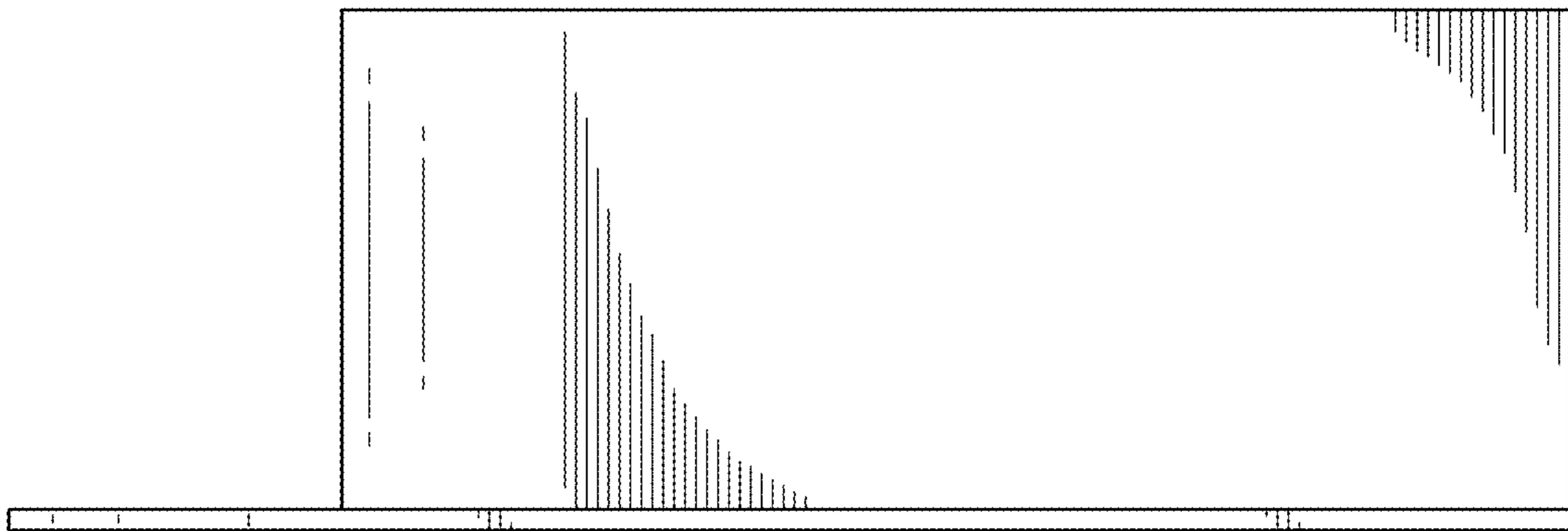


FIG. 5

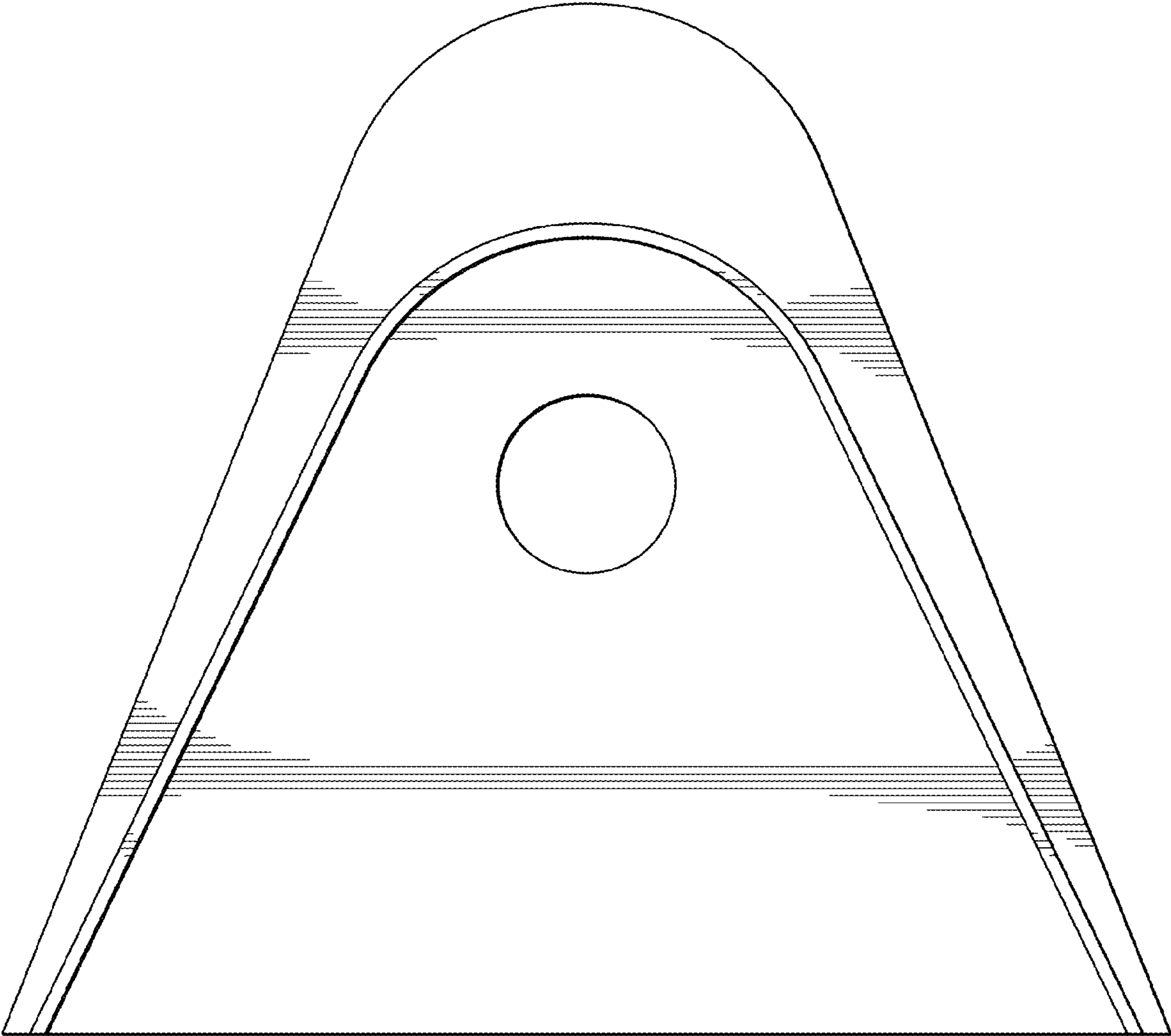


FIG. 6

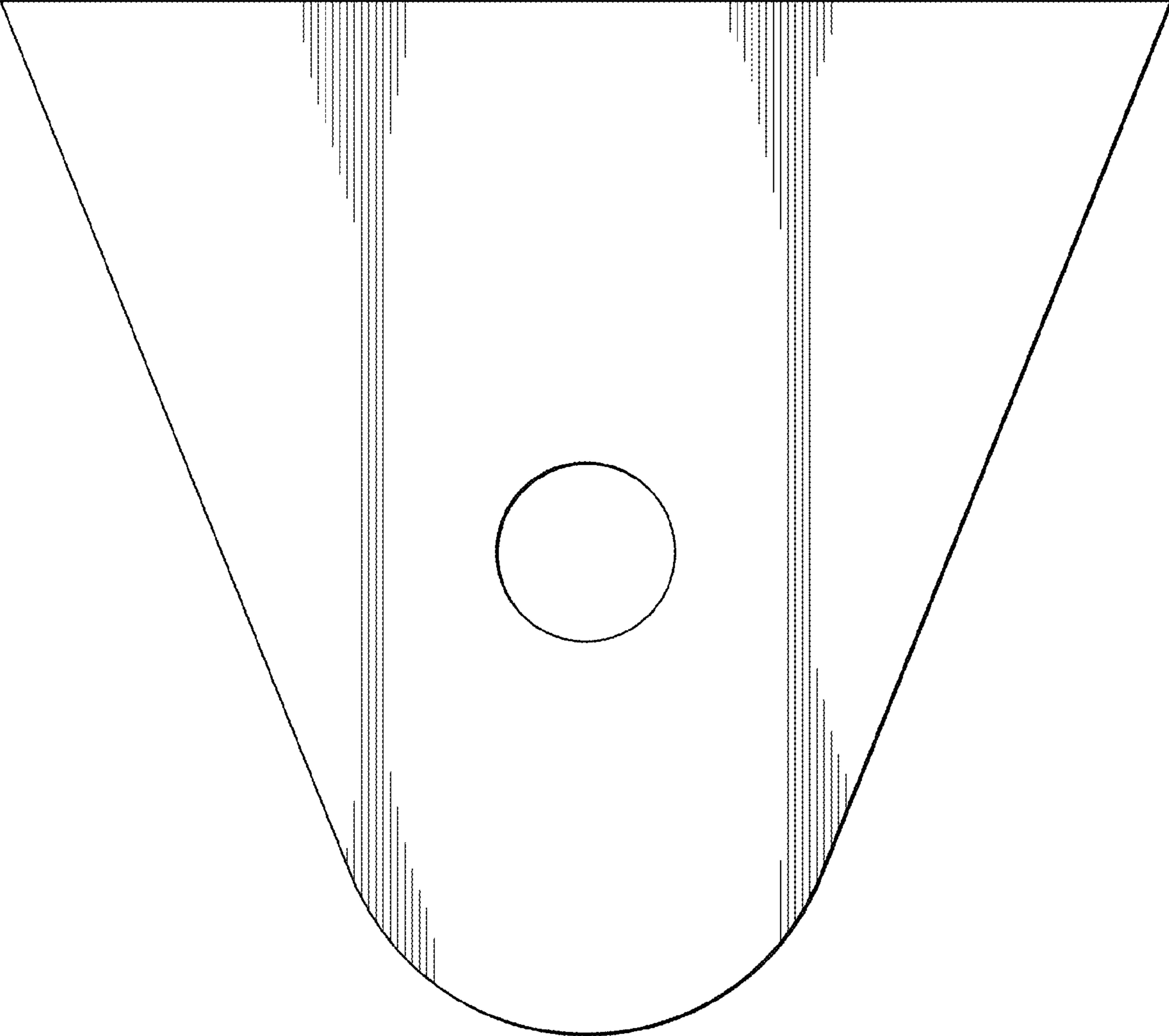


FIG. 7

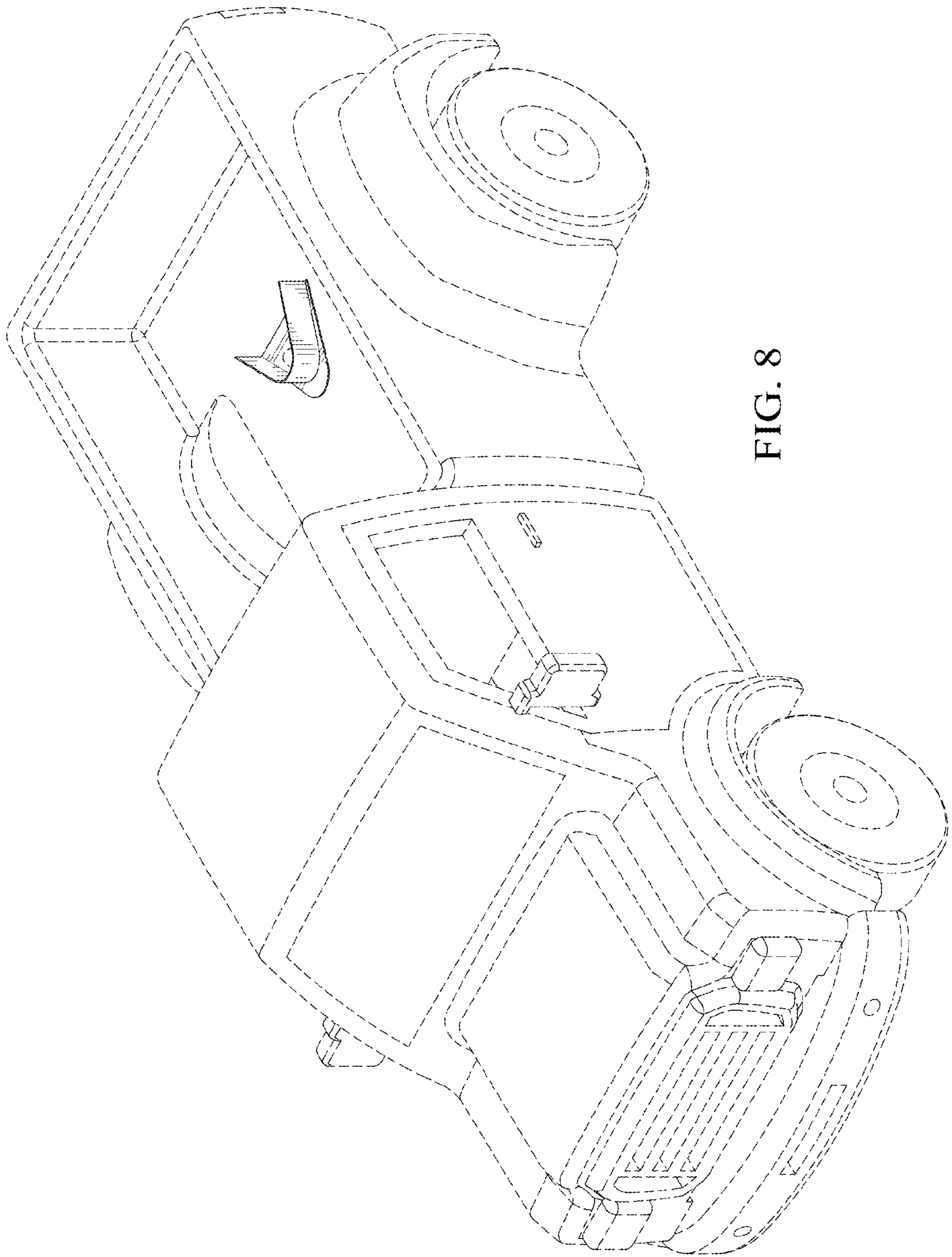


FIG. 8