



US00D870604S

(12) **United States Design Patent** (10) **Patent No.:** **US D870,604 S**  
**Calloway** (45) **Date of Patent:** **\*\* Dec. 24, 2019**

(54) **BED COVER DISPENSER**

FOREIGN PATENT DOCUMENTS

(71) Applicant: **Jonierae, LLC**, Saint Louis, MO (US)

WO 1985002526 A1 6/1985

(72) Inventor: **Lori Calloway**, Ladera Heights, CA (US)

OTHER PUBLICATIONS

(73) Assignee: **Jonierae, LLC**, St. Louis, MO (US)

Clune, Laurel Ann, "When the Injured Nurse Returns to Work: An Institutional Ethnography", A thesis submitted in conformity with the requirements for the degree of Doctor of Philosophy (2011), Lawrence S. Bloomberg Faculty of Nursing, University of Toronto, 243 pages, © Copyright by Laurie Clune 2011.

(\*\*) Term: **15 Years**

(Continued)

(21) Appl. No.: **29/653,185**

(22) Filed: **Jun. 13, 2018**

*Primary Examiner* — Wan Laymon

*Assistant Examiner* — Mark Booker

**Related U.S. Application Data**

(74) *Attorney, Agent, or Firm* — Avery N. Goldstein; Blue Filament Law PLLC

(62) Division of application No. 14/272,675, filed on May 8, 2014, now abandoned.

(51) **LOC (12) Cl.** ..... **12-12**

(52) **U.S. Cl.**  
USPC ..... **D12/133**

(57) **CLAIM**

(58) **Field of Classification Search**

USPC ..... D6/515, 602, 606, 607, 518; D34/10; D7/354, 357, 359, 677; 53/567, 576; 206/303, 390, 397, 409; 220/403, 404, 220/407, 908, 909; 5/504.1; D12/128-133

The ornamental design for a bed cover dispenser, as shown and described.

CPC ..... A47C 31/105; A61G 1/04; A61G 1/00; A61G 1/044; A61G 1/048; A61G 1/0212; A61G 1/003; A61G 1/0237; A61G 1/0231; A61G 1/0262; A61G 1/052; A61G 1/0562; A61G 1/0567; A61G 7/0504; A61G 7/103; A61G 7/1046; A61G 13/105

**DESCRIPTION**

See application file for complete search history.

FIG. 1 is a perspective view of an inventive bed cover dispenser;

FIG. 2 is a front view of the bed cover dispenser depicted in FIG. 1;

FIG. 3 is a back view of the bed cover dispenser depicted in FIG. 1;

FIG. 4 is a bottom view of the bed cover dispenser depicted in FIG. 1;

FIG. 5 is a top view of the bed cover dispenser depicted in FIG. 1; and,

FIG. 6 is a left side view of the bed cover dispenser depicted in FIG. 1, where the right side view is mirror image of FIG. 6.

The broken line showing of a roll is for the purpose of illustrating context and forms no part of the claimed design.

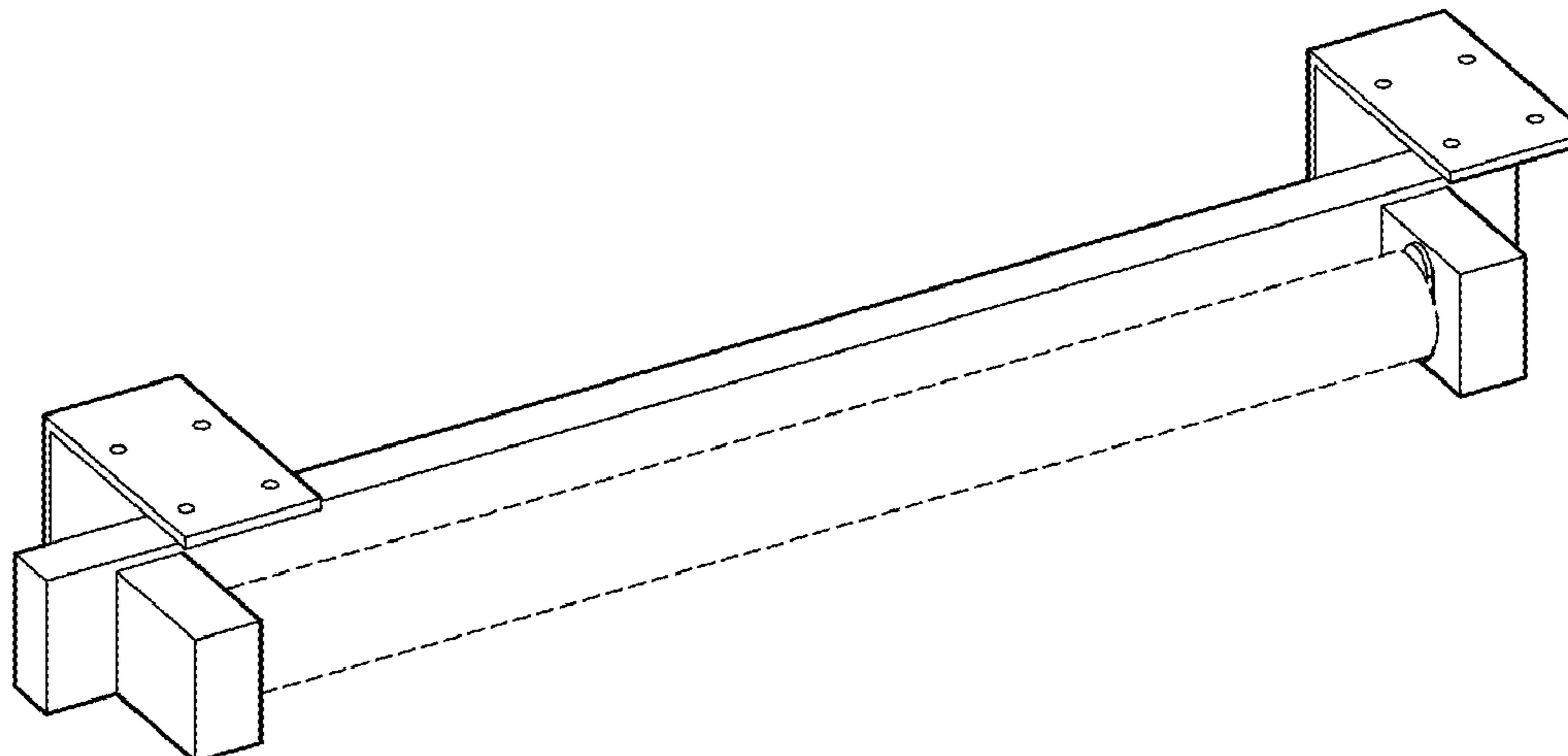
(56) **References Cited**

U.S. PATENT DOCUMENTS

3,344,444 A 10/1967 McNeal et al.  
3,466,679 A 9/1969 Hess  
4,025,973 A 5/1977 Walbrecht  
4,358,865 A 11/1982 Pagel et al.

(Continued)

**1 Claim, 2 Drawing Sheets**



(56)

**References Cited**

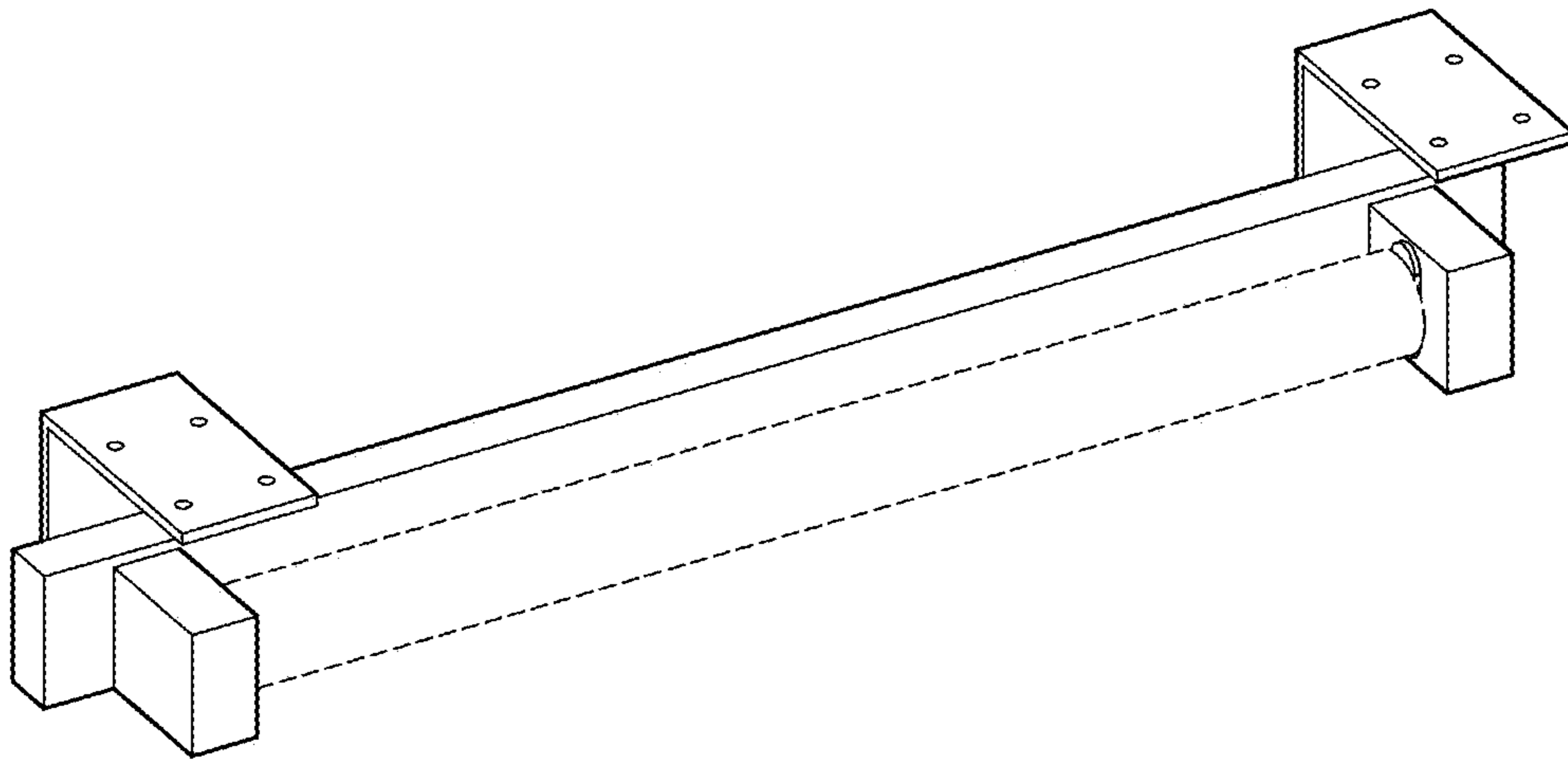
U.S. PATENT DOCUMENTS

5,084,927 A 2/1992 Parkevich  
D394,572 S \* 5/1998 Devaney ..... D6/518  
5,819,935 A 10/1998 Lawson  
D718,952 S \* 12/2014 Currat ..... D6/515  
D728,256 S \* 5/2015 De Rossi ..... D6/515  
2011/0214233 A1 9/2011 Stang  
2015/0320232 A1\* 11/2015 Calloway ..... A47C 21/02  
5/504.1

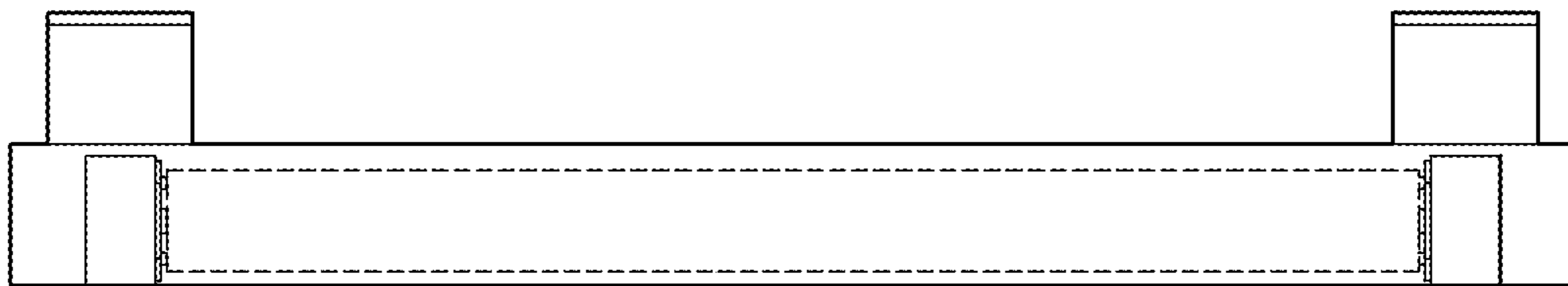
OTHER PUBLICATIONS

International Search Report dated Nov. 30, 2015 for International  
Application No. PCT/US2015/020777 filed Mar. 16, 2015.

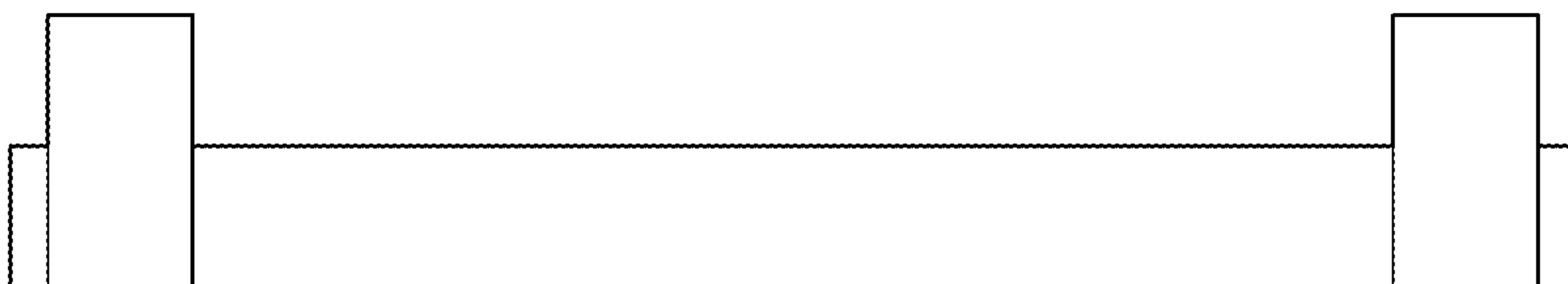
\* cited by examiner



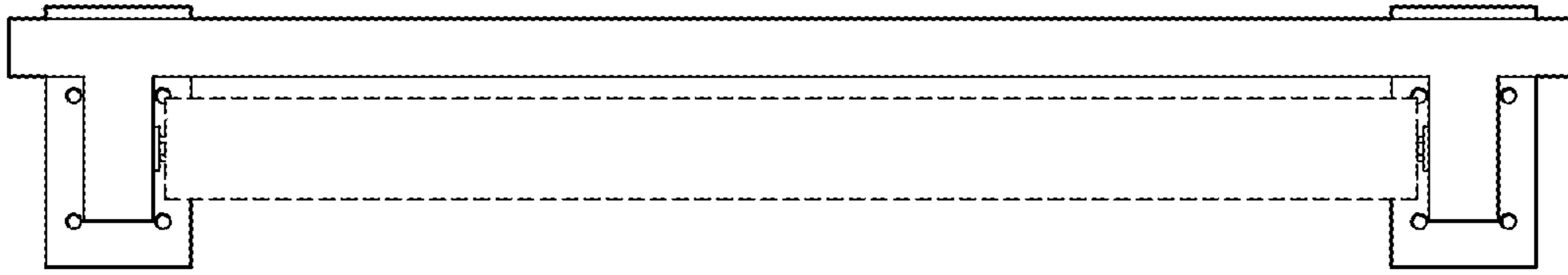
**FIG. 1**



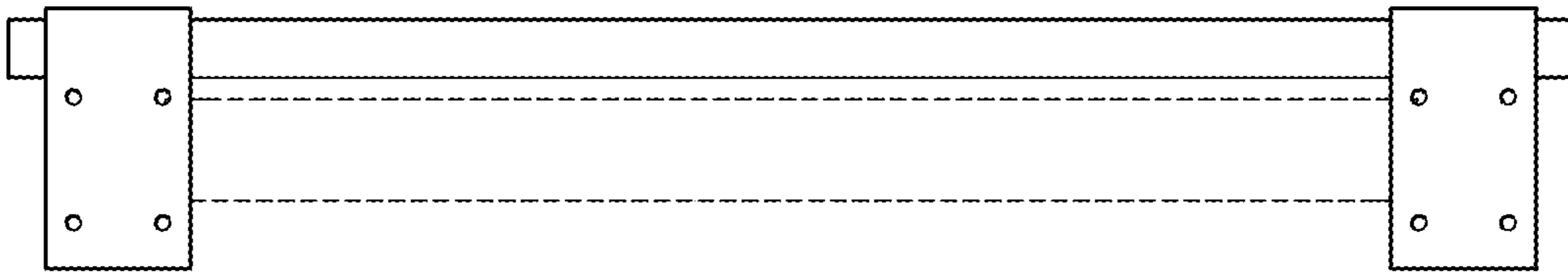
**FIG. 2**



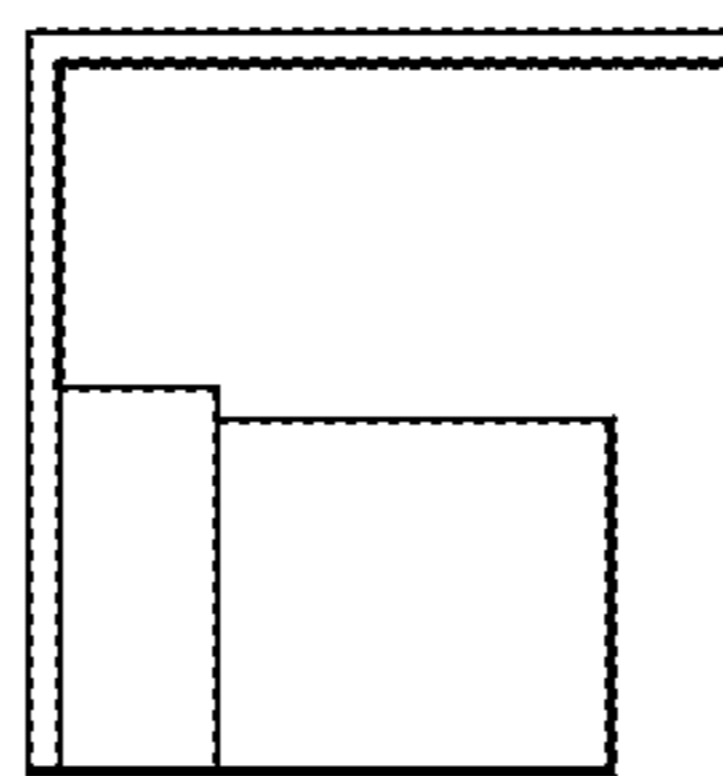
**FIG. 3**



**FIG. 4**



**FIG. 5**



**FIG. 6**