



US00D870603S

(12) **United States Design Patent**
Haut et al.

(10) **Patent No.:** **US D870,603 S**

(45) **Date of Patent:** **** Dec. 24, 2019**

(54) **ADAPTER ASSEMBLY FOR A STROLLER**

(71) Applicant: **Wonderland Switzerland AG,**
Steinhausen (CH)

(72) Inventors: **Robert E. Haut,** Merion Station, PA
(US); **Andrew J. Taylor,** Mohnton, PA
(US)

(73) Assignee: **WONDERLAND SWITZERLAND**
AG, Steinhausen (CH)

(**) Term: **15 Years**

(21) Appl. No.: **29/651,406**

(22) Filed: **Aug. 1, 2018**

(51) **LOC (12) Cl.** **12-12**

(52) **U.S. Cl.**
USPC **D12/133**

(58) **Field of Classification Search**
USPC D12/128–133
CPC B62B 7/00–04; B62B 9/00–28
See application file for complete search history.

(56) **References Cited**

U.S. PATENT DOCUMENTS

D579,827 S * 11/2008 Lake D12/129
D593,459 S * 6/2009 Liao D12/129

D643,786 S * 8/2011 Barenbrug D12/129
D715,702 S * 10/2014 Chen D12/129
D737,733 S * 9/2015 Zhong D12/129
D769,158 S * 10/2016 Ruggiero D12/129
D772,111 S * 11/2016 Jane Santamaria D12/129
D773,344 S * 12/2016 Tsai D12/129

* cited by examiner

Primary Examiner — Charles D Hanson

(74) *Attorney, Agent, or Firm* — Bacon & Thomas, PLLC

(57) **CLAIM**

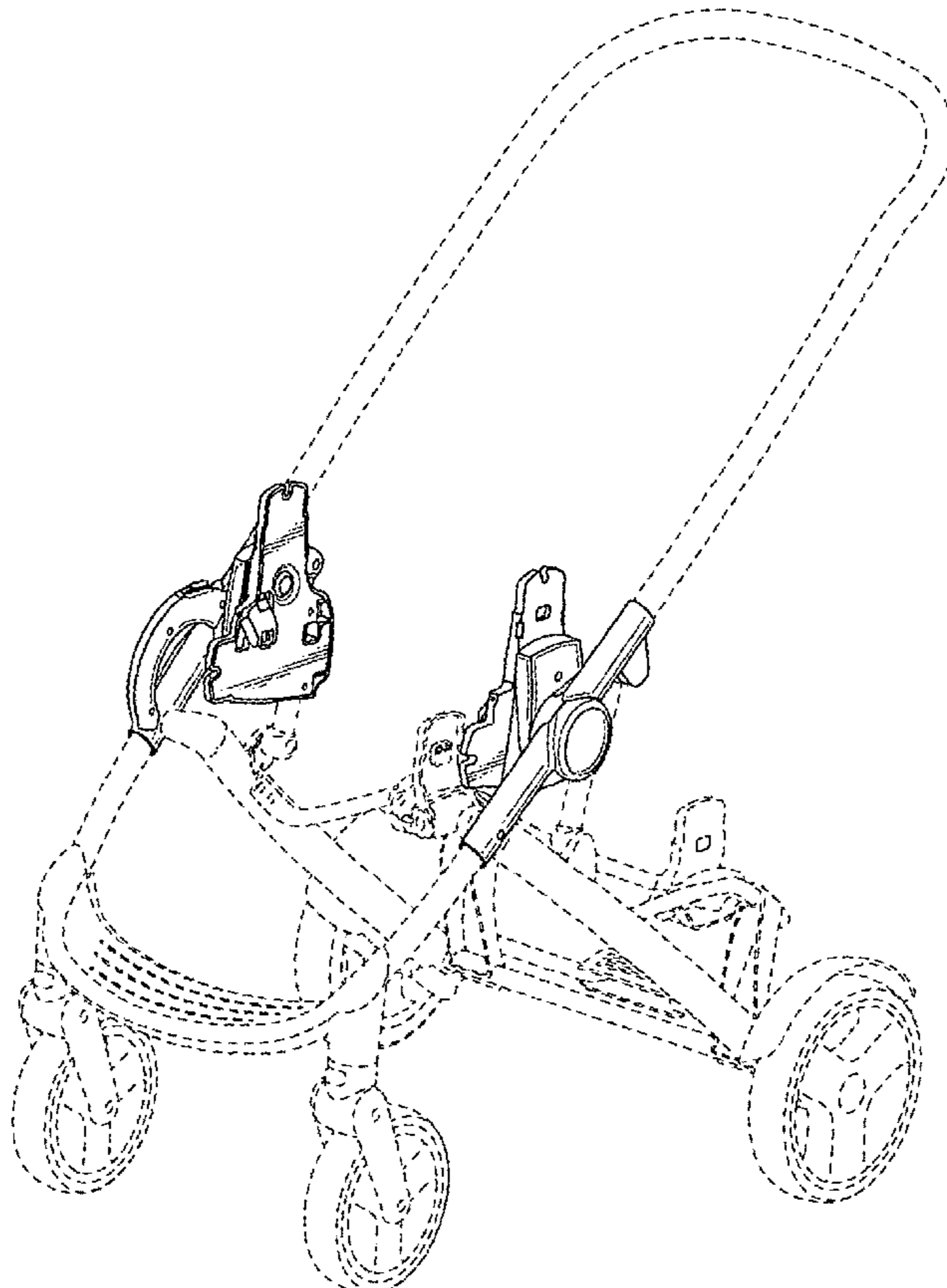
The ornamental design for an adaptor assembly for a stroller,
as shown and described.

DESCRIPTION

FIG. 1 is a perspective view of an adaptor assembly for a stroller showing our new design.
FIG. 2 is a front view of FIG. 1;
FIG. 3 is a rear view of FIG. 1;
FIG. 4 is a left side view of FIG. 1;
FIG. 5 is a right side view of FIG. 1;
FIG. 6 is a top view of FIG. 1;
FIG. 7 is a bottom view of FIG. 1; and,
FIG. 8 is a view showing the stroller frame shown in FIG. 1 in use.

The broken line showing is included for the purpose of illustrating environmental structures and forms no part of the claimed design.

1 Claim, 8 Drawing Sheets



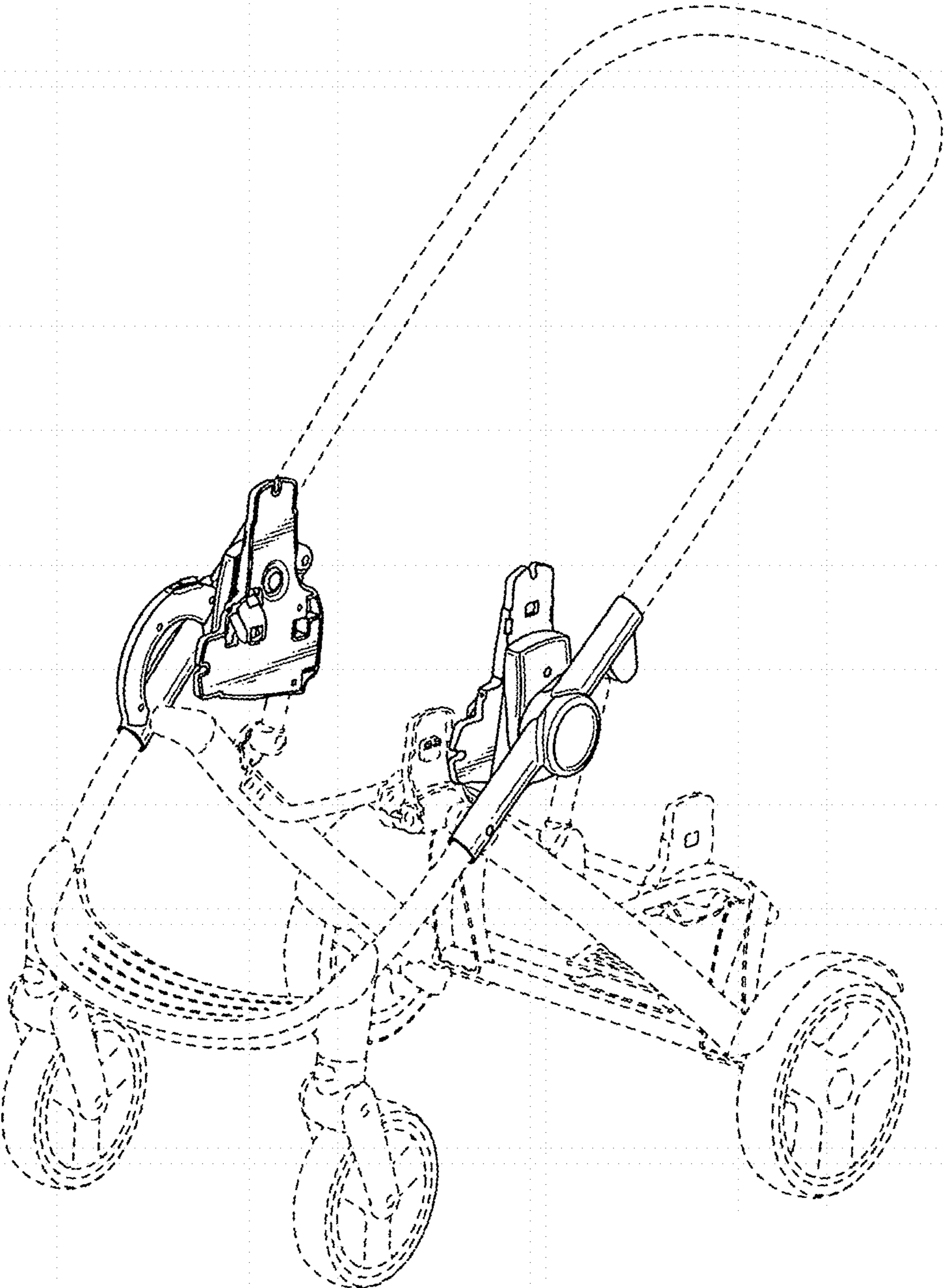


FIG. 1

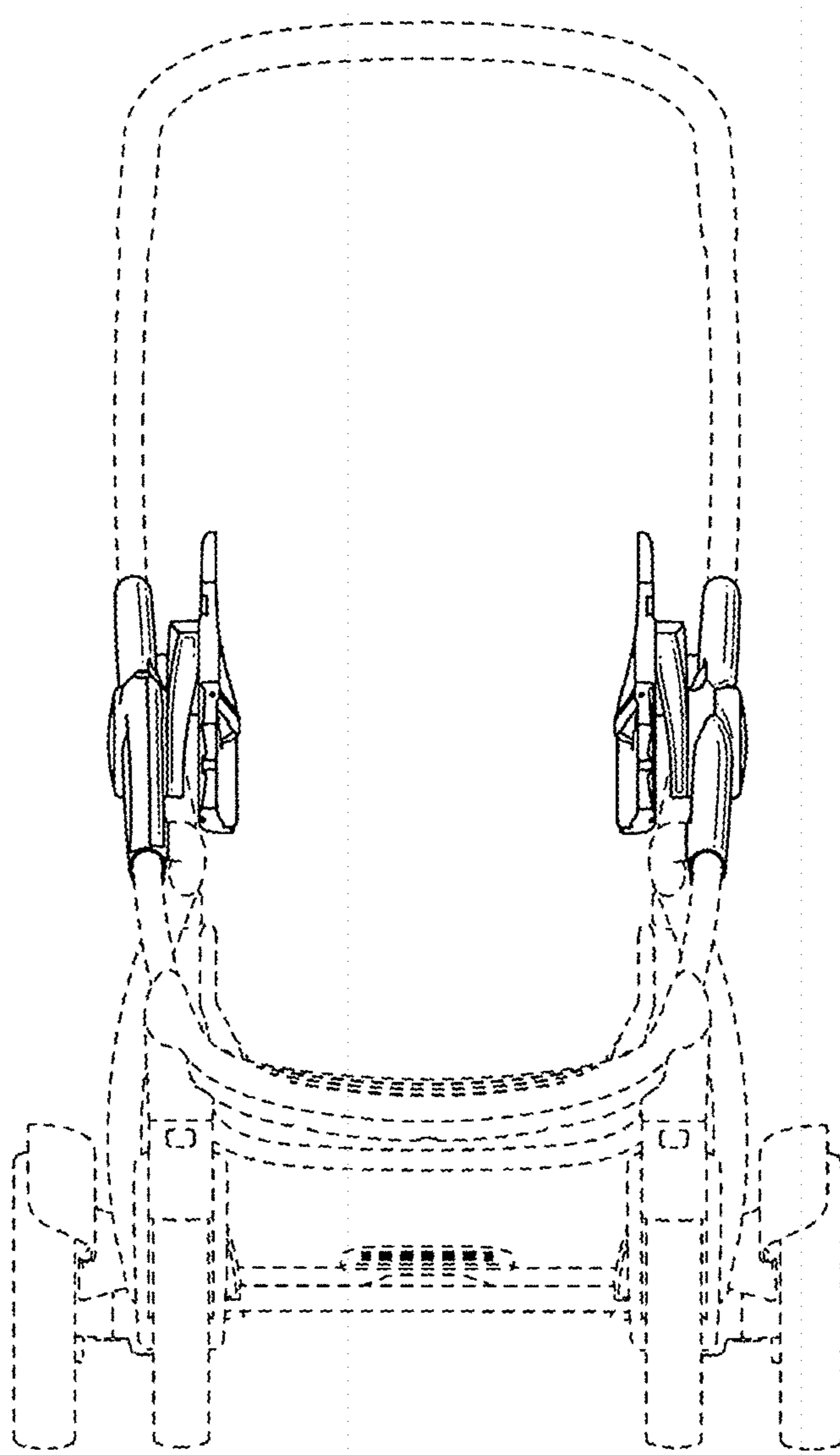


FIG. 2

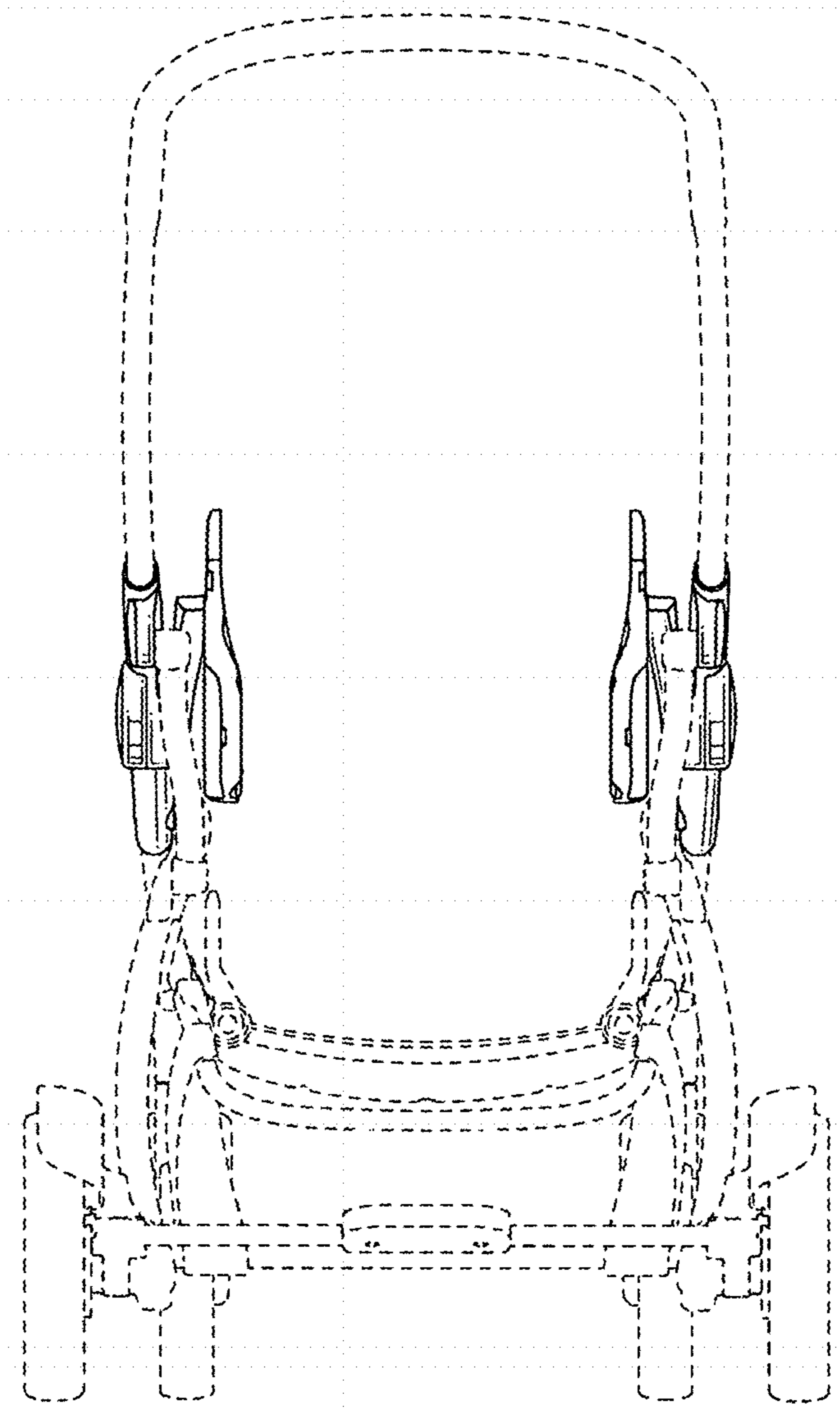


FIG. 3

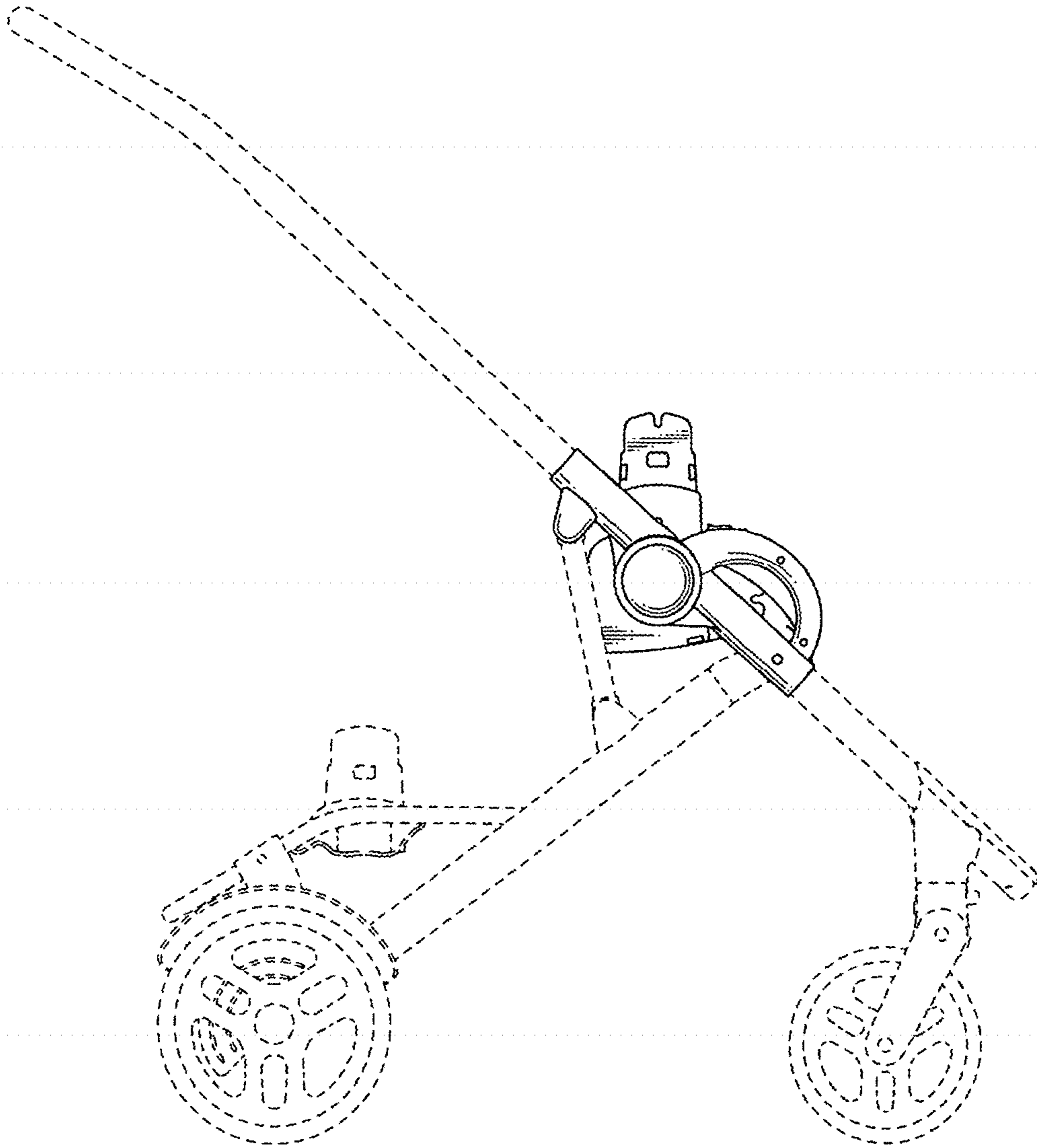


FIG. 4

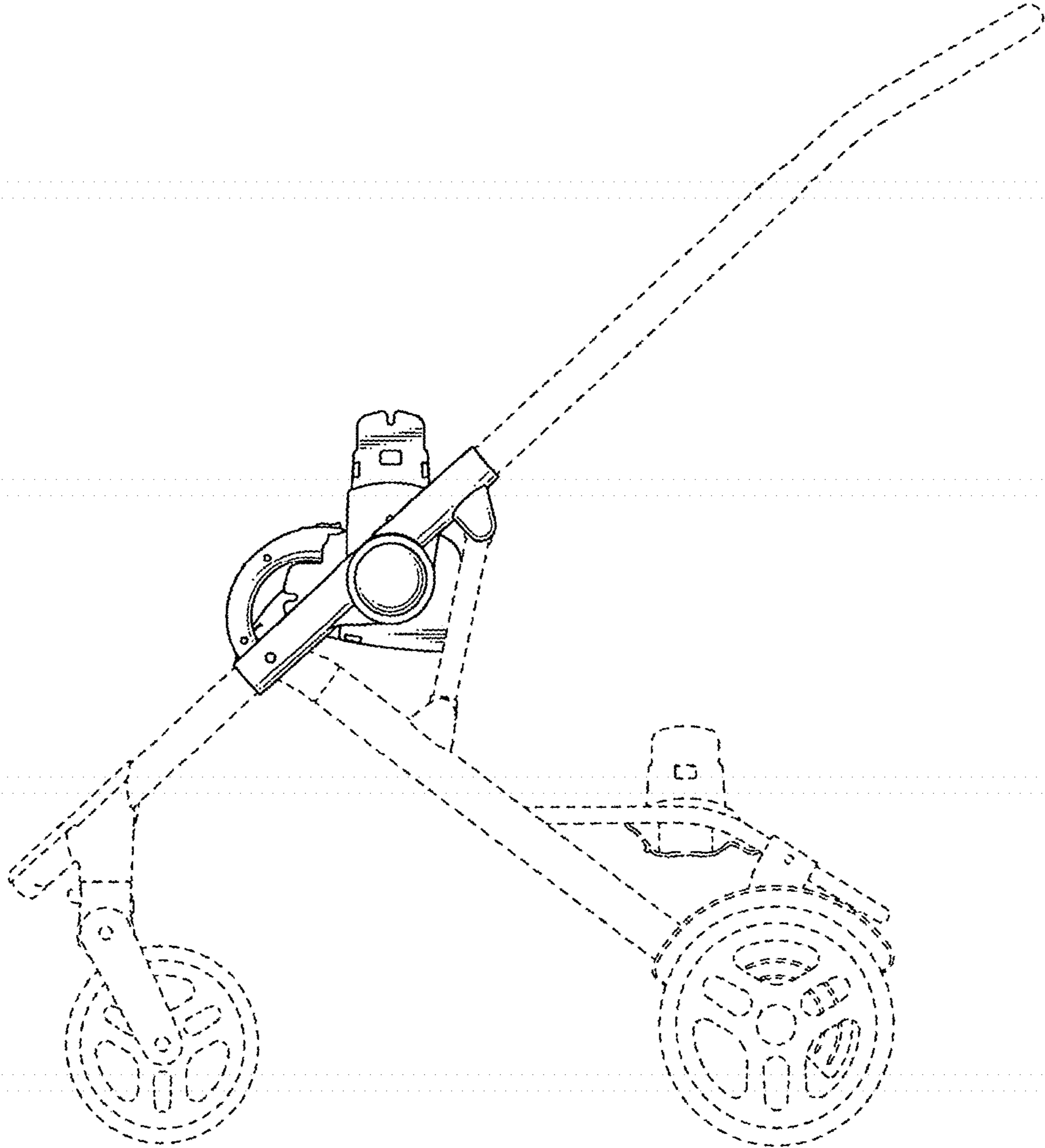


FIG. 5

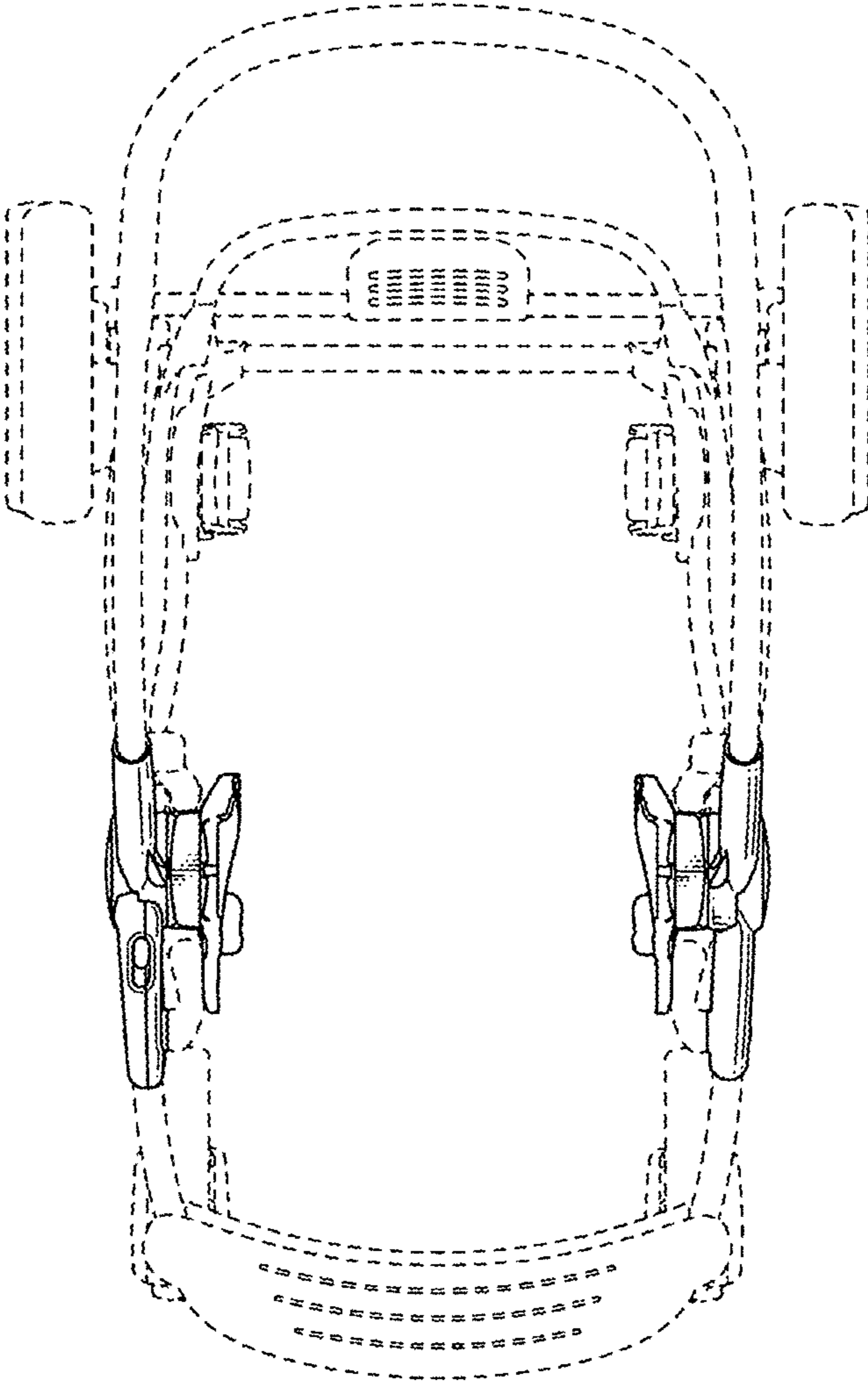


FIG. 6

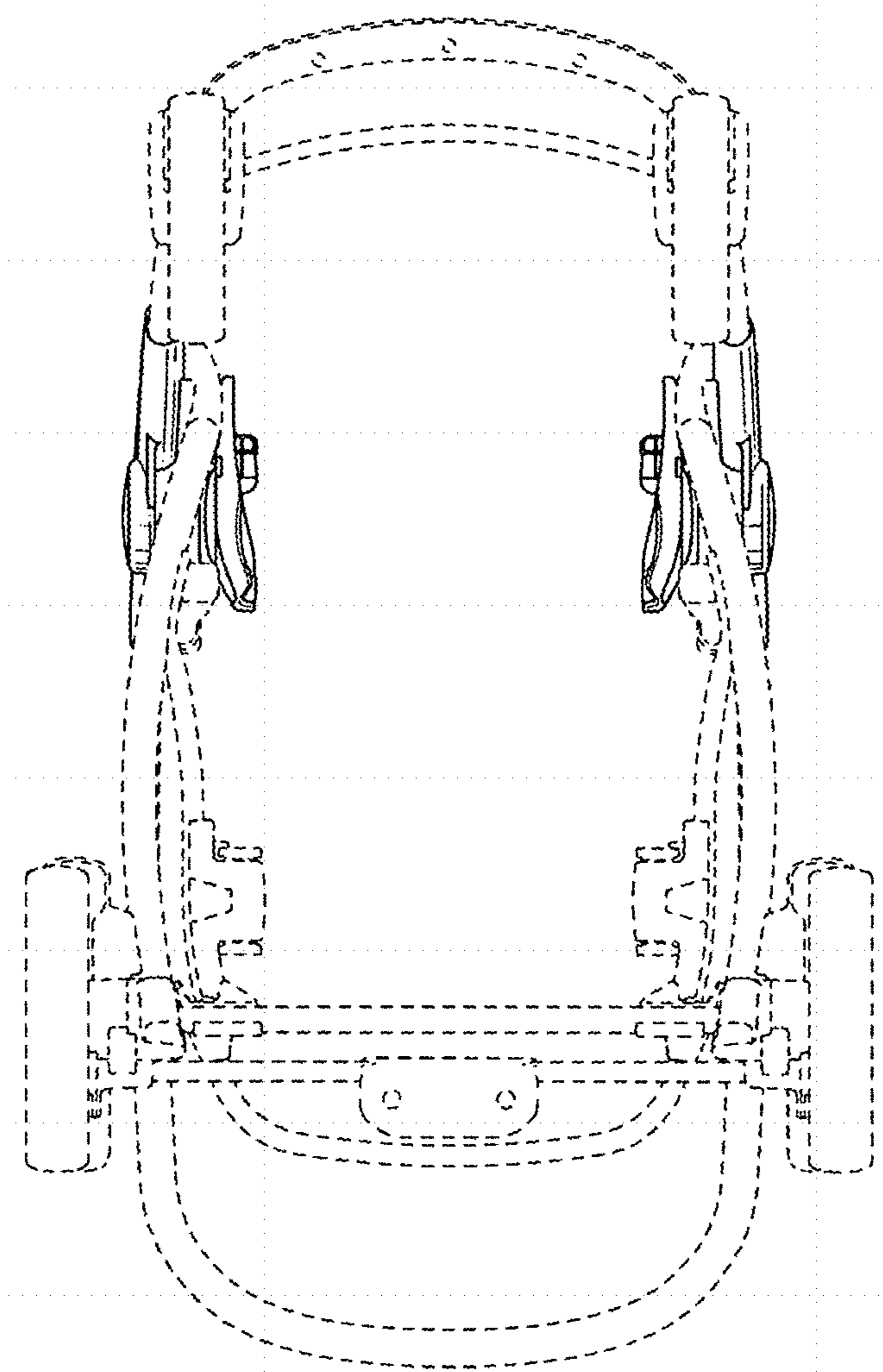


FIG. 7

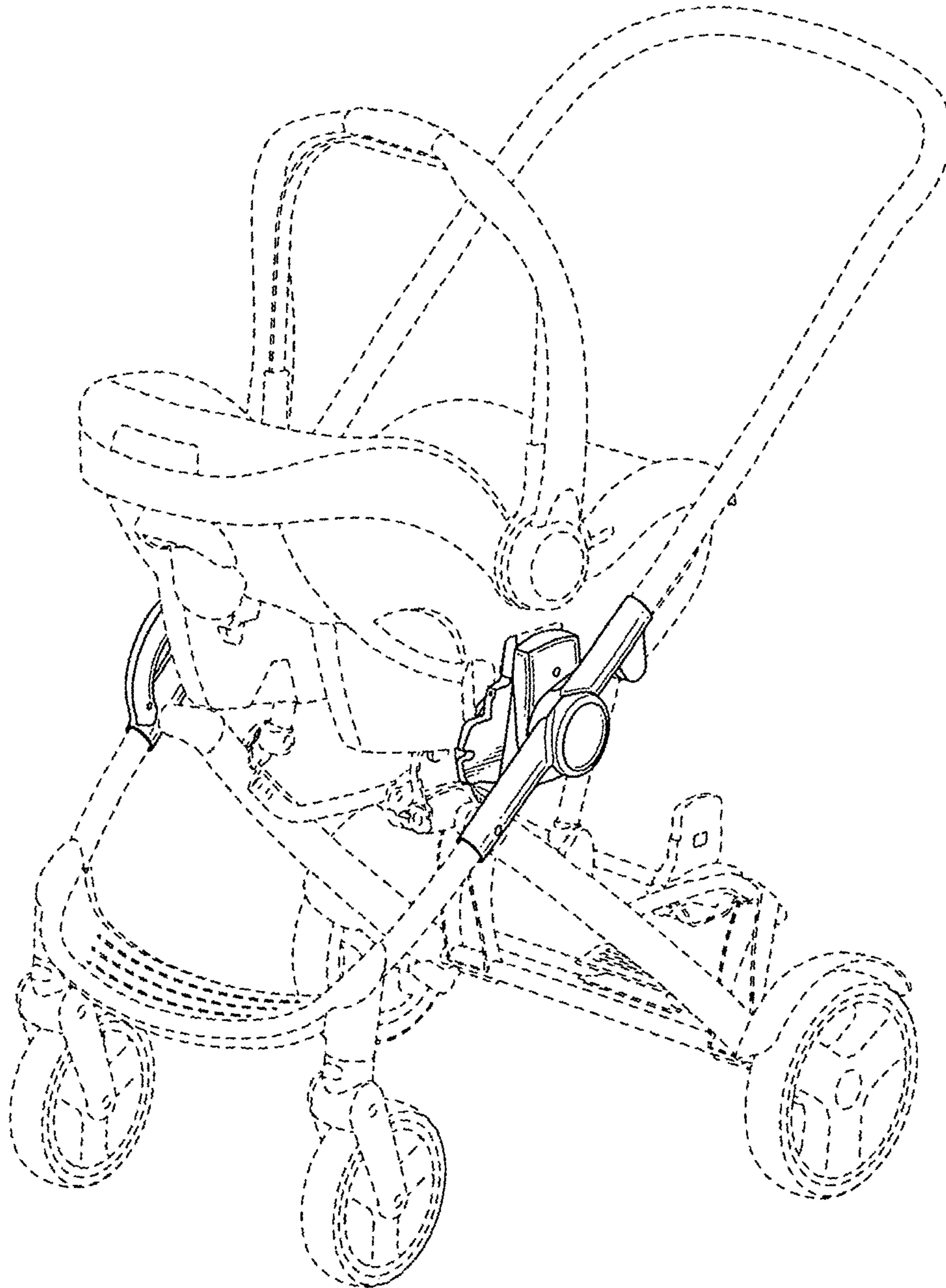


FIG. 8