



US00D870602S

(12) **United States Design Patent** (10) **Patent No.:** **US D870,602 S**
Talios et al. (45) **Date of Patent:** **** Dec. 24, 2019**

(54) **FOLDING PEDAL**
(71) Applicant: **Dynacraft BSC, Inc.**, American Canyon, CA (US)

D320,369 S * 10/1991 Feamster, III 74/594.4
D324,838 S * 3/1992 Briscadiou 74/594.4
D333,113 S * 2/1993 Nestrud D12/125
D387,706 S * 12/1997 Hanamura D12/125

(Continued)

(72) Inventors: **Bill Talios**, Petaluma, CA (US); **John Bisges**, Buford, GA (US); **David Castrucci**, Napa, CA (US)

FOREIGN PATENT DOCUMENTS

CN 2510392 Y 9/2002
TW 477763 B 3/2002

(73) Assignee: **Dynacraft BSC, Inc.**, Port Wentworth, GA (US)

Primary Examiner — Darlington Ly

(74) *Attorney, Agent, or Firm* — Michael Best & Friedrich LLP

(**) Term: **15 Years**

(57) **CLAIM**

(21) Appl. No.: **29/635,314**

The ornamental design for a folding pedal, as shown and described.

(22) Filed: **Jan. 30, 2018**

DESCRIPTION

(51) **LOC (12) Cl.** **12-11**

(52) **U.S. Cl.**
USPC **D12/125**

(58) **Field of Classification Search**
USPC D12/111, 125
CPC . B62M 3/00; B62M 3/08; B60N 3/063; B62J 25/00
See application file for complete search history.

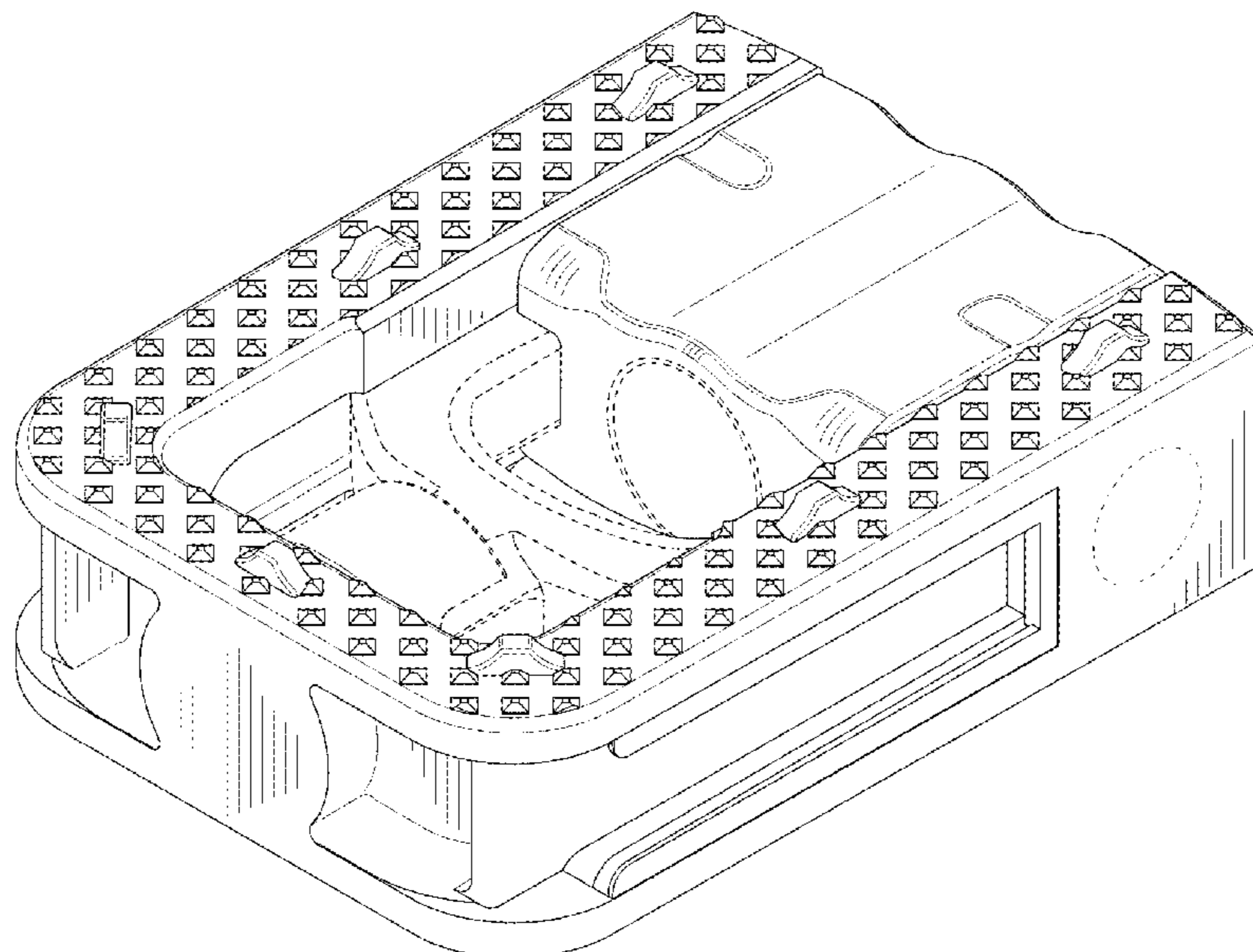
FIG. 1 is a front perspective view of a folding pedal showing our new design in accordance to a first embodiment;
FIG. 2 is a rear perspective view thereof;
FIG. 3 is a front elevation view thereof;
FIG. 4 is a rear elevation view thereof;
FIG. 5 is a left-side elevational view thereof;
FIG. 6 is a right-side elevation view thereof;
FIG. 7 is a top plan view thereof; and
FIG. 8 is a bottom plan view thereof.
FIG. 9 is a front perspective view of a folding pedal showing our new design in accordance to a second embodiment;
FIG. 10 is a rear perspective view thereof;
FIG. 11 is a front elevation view thereof;
FIG. 12 is a rear elevation view thereof;
FIG. 13 is a left-side elevation view thereof;
FIG. 14 is a right-side elevation view thereof;
FIG. 15 is a top plan view thereof; and,
FIG. 16 is a bottom plan view thereof.
The broken lines illustrate portions of the folding pedal that form no part of the claimed design.

(56) **References Cited**

U.S. PATENT DOCUMENTS

599,978 A	3/1898	Tanner	
1,091,405 A	3/1914	Trambley	
1,196,190 A	8/1916	Warren	
1,276,139 A	8/1918	Warren	
D280,192 S *	8/1985	Watanabe	74/594.4
D284,459 S *	7/1986	Shimizu	74/594.4
D292,075 S *	9/1987	Kiyota	D12/125
D299,449 S *	1/1989	Chounan	74/594.4
D299,450 S *	1/1989	Chounan	D12/125
D301,705 S *	6/1989	Ropp	D12/125
D302,260 S *	7/1989	Schieferstein	D12/125
D302,668 S *	8/1989	Chounan	D12/125
D316,697 S *	5/1991	Beiser	D12/125

1 Claim, 12 Drawing Sheets



(56)

References Cited

U.S. PATENT DOCUMENTS

D414,723	S	*	10/1999	Hanamura	D12/125
D432,463	S	*	10/2000	Hanamura	D12/125
D486,426	S	*	2/2004	Lin	D12/125
D522,414	S	*	6/2006	Chen	D12/125
D524,195	S	*	7/2006	Neal	D12/125
7,228,761	B1		6/2007	Chen		
D615,003	S	*	5/2010	Canfield	D12/125
D616,336	S	*	5/2010	James	D12/125
D667,348	S	*	9/2012	Canfield	D12/125
D683,273	S	*	5/2013	Winkie	D12/125
D687,743	S	*	8/2013	Lin	D12/125
D739,312	S	*	9/2015	Lin	D12/125
D739,313	S	*	9/2015	Chen	D12/125
D779,387	S	*	2/2017	Wilson	D12/125
2004/0007089	A1		1/2004	Fan		

* cited by examiner

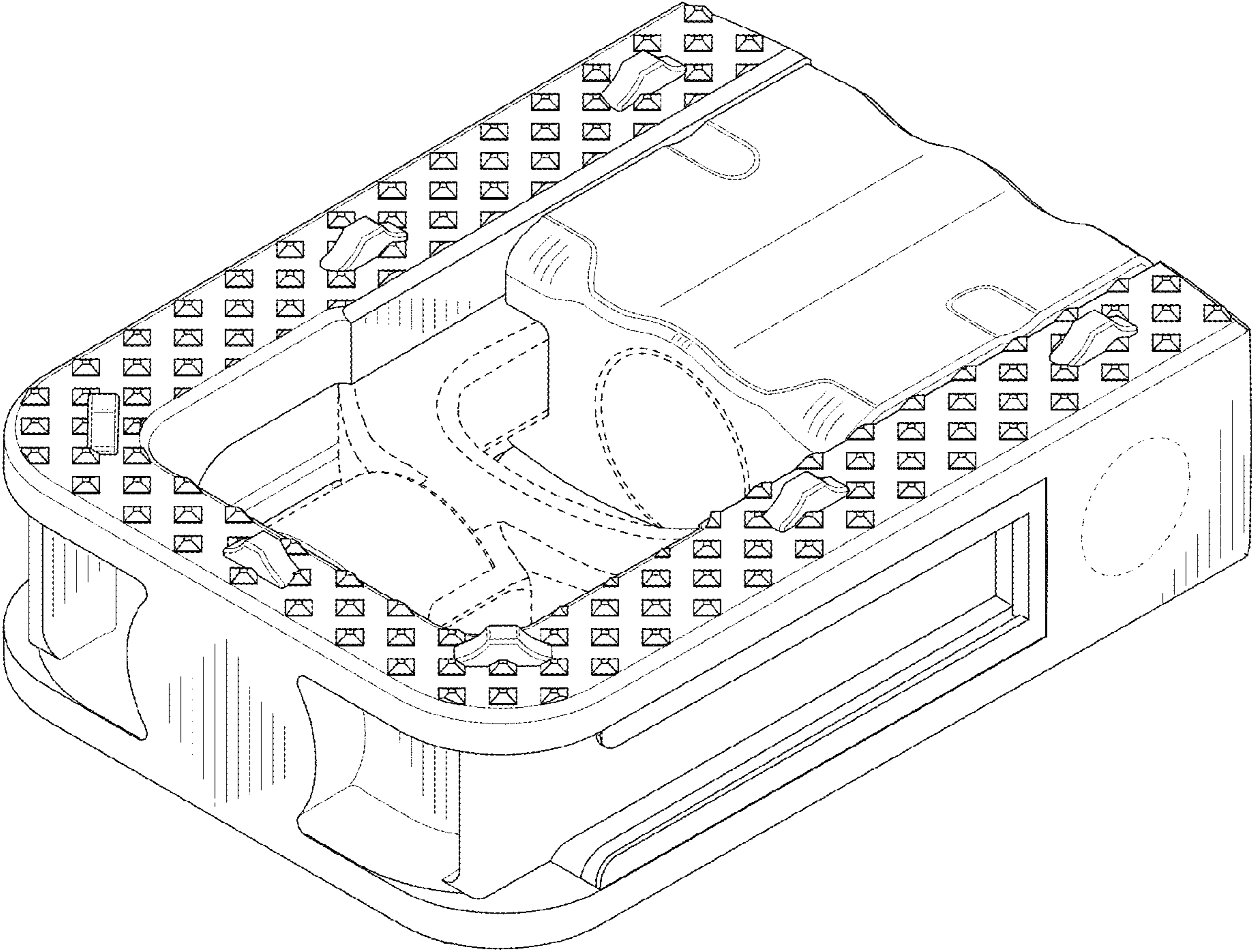


FIG. 1

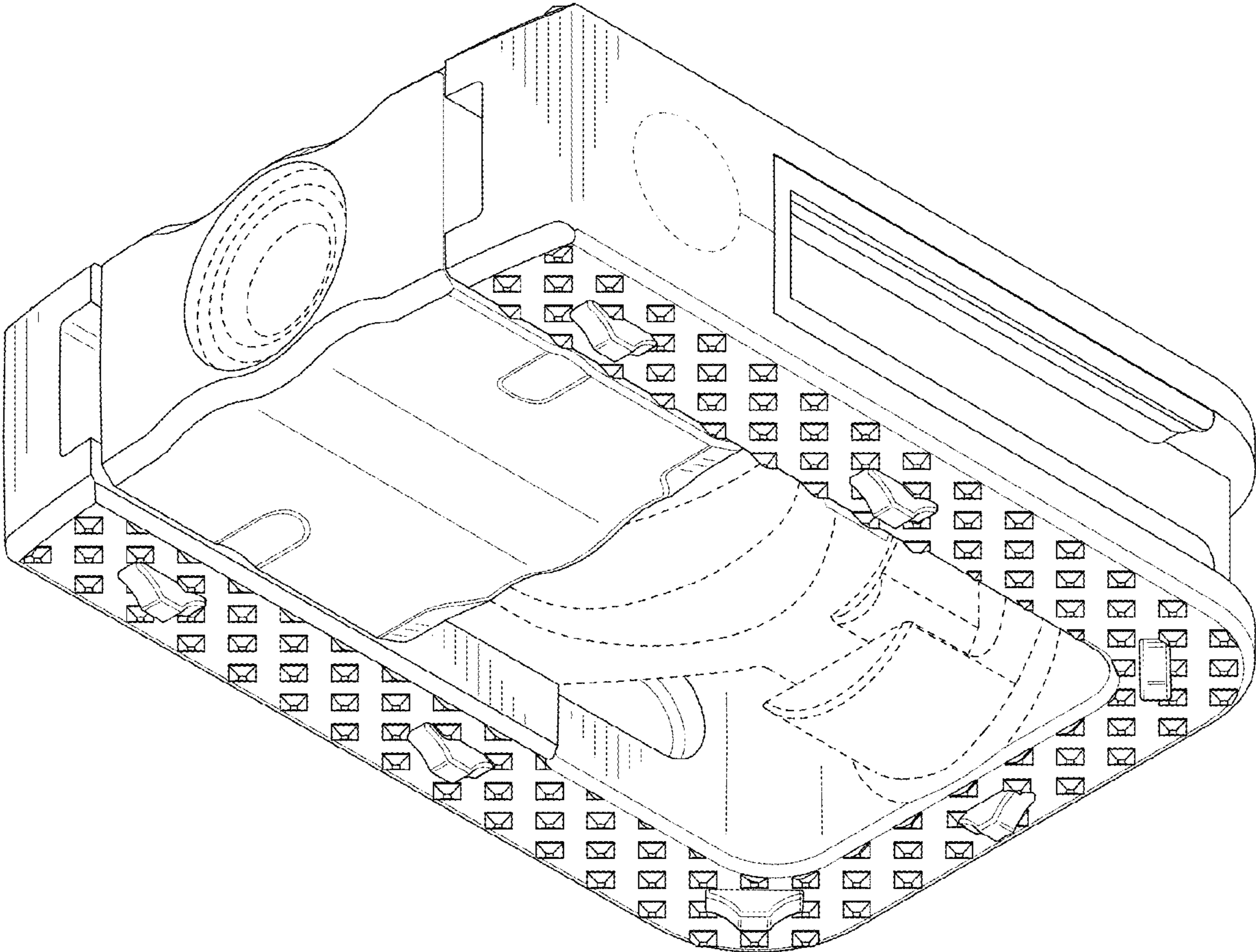


FIG. 2

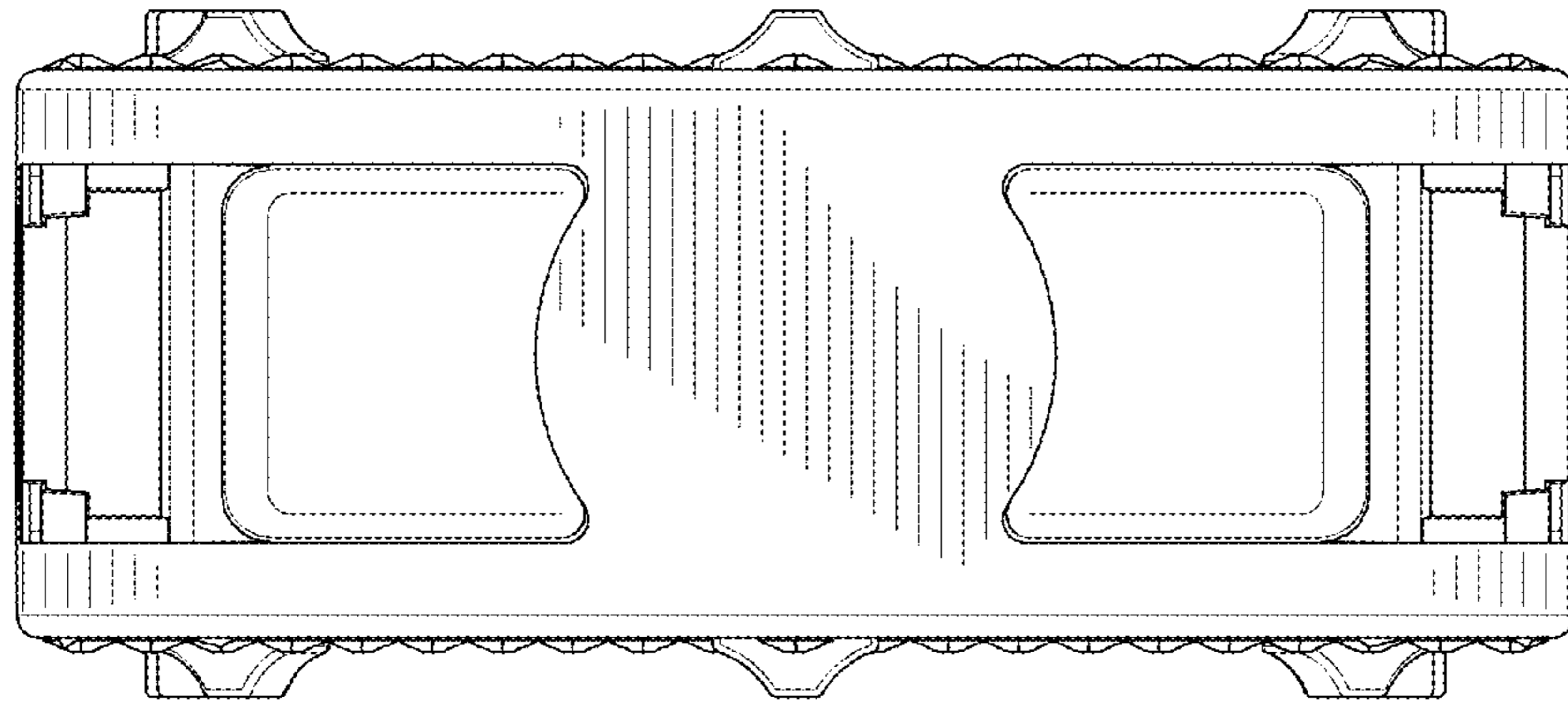


FIG. 3

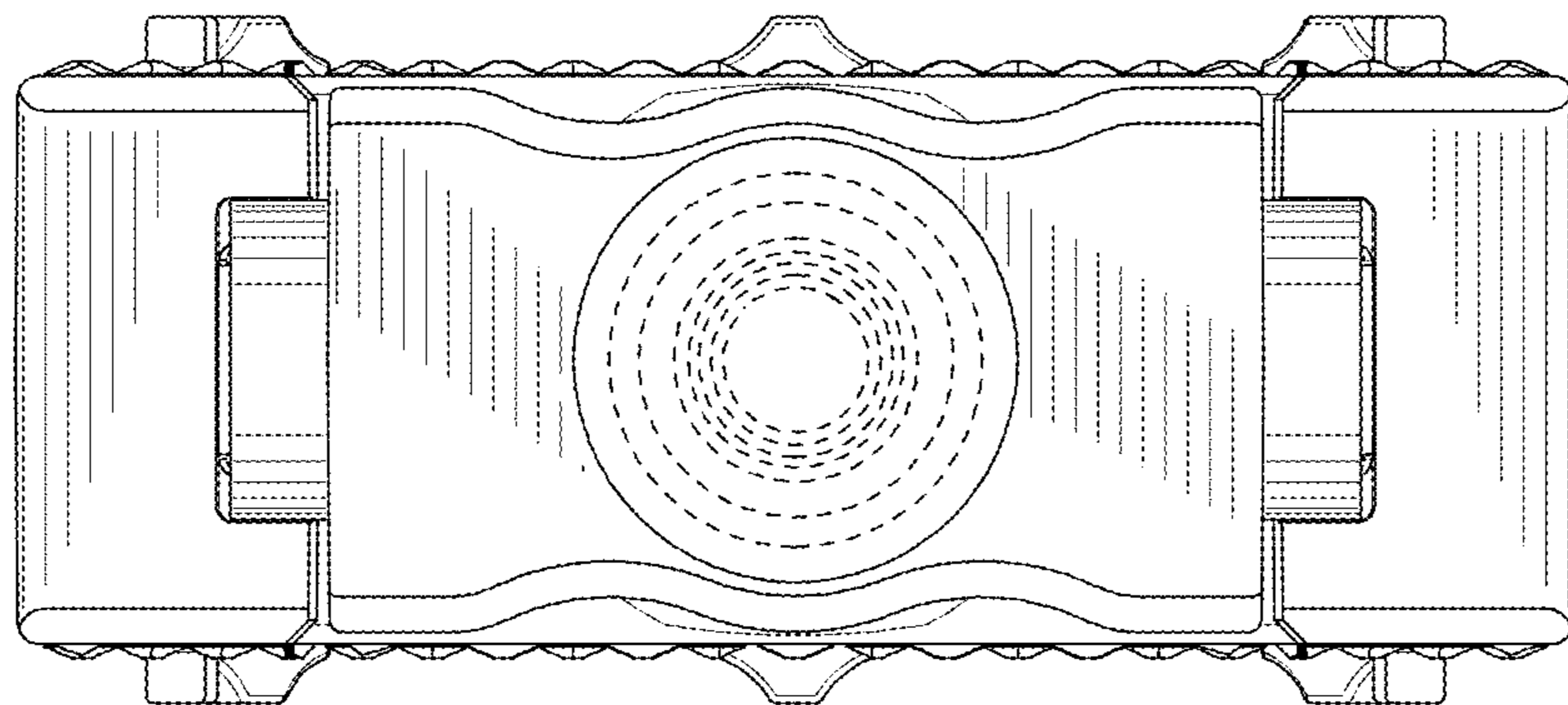


FIG. 4

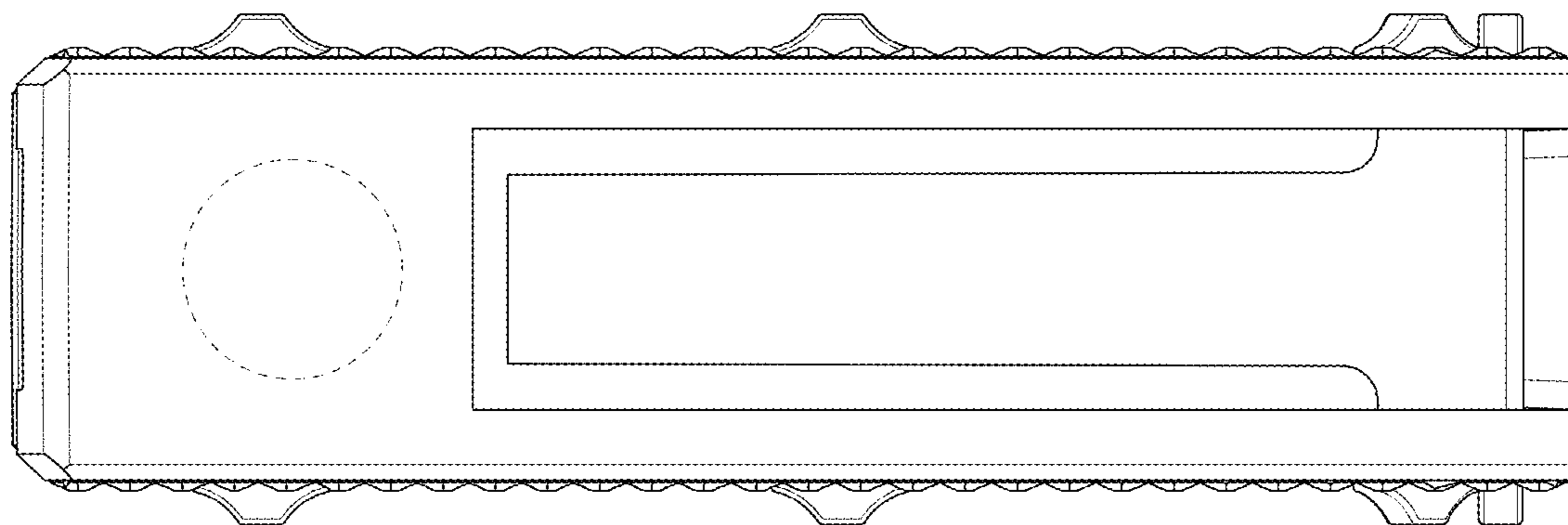


FIG. 5

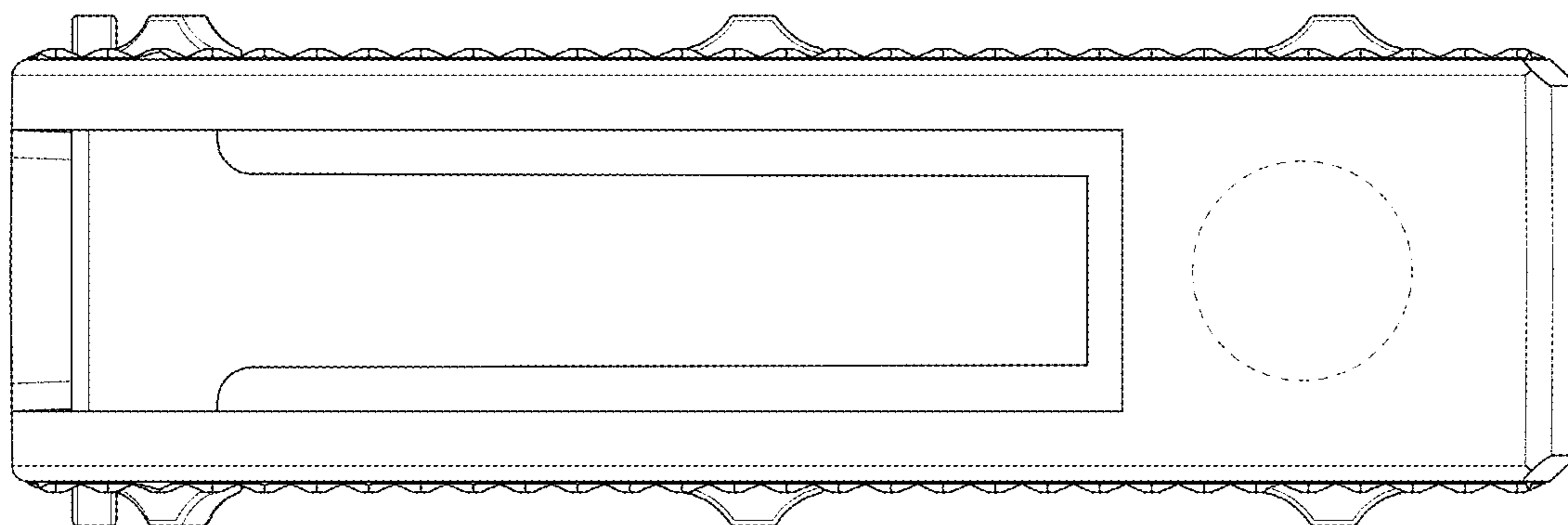


FIG. 6

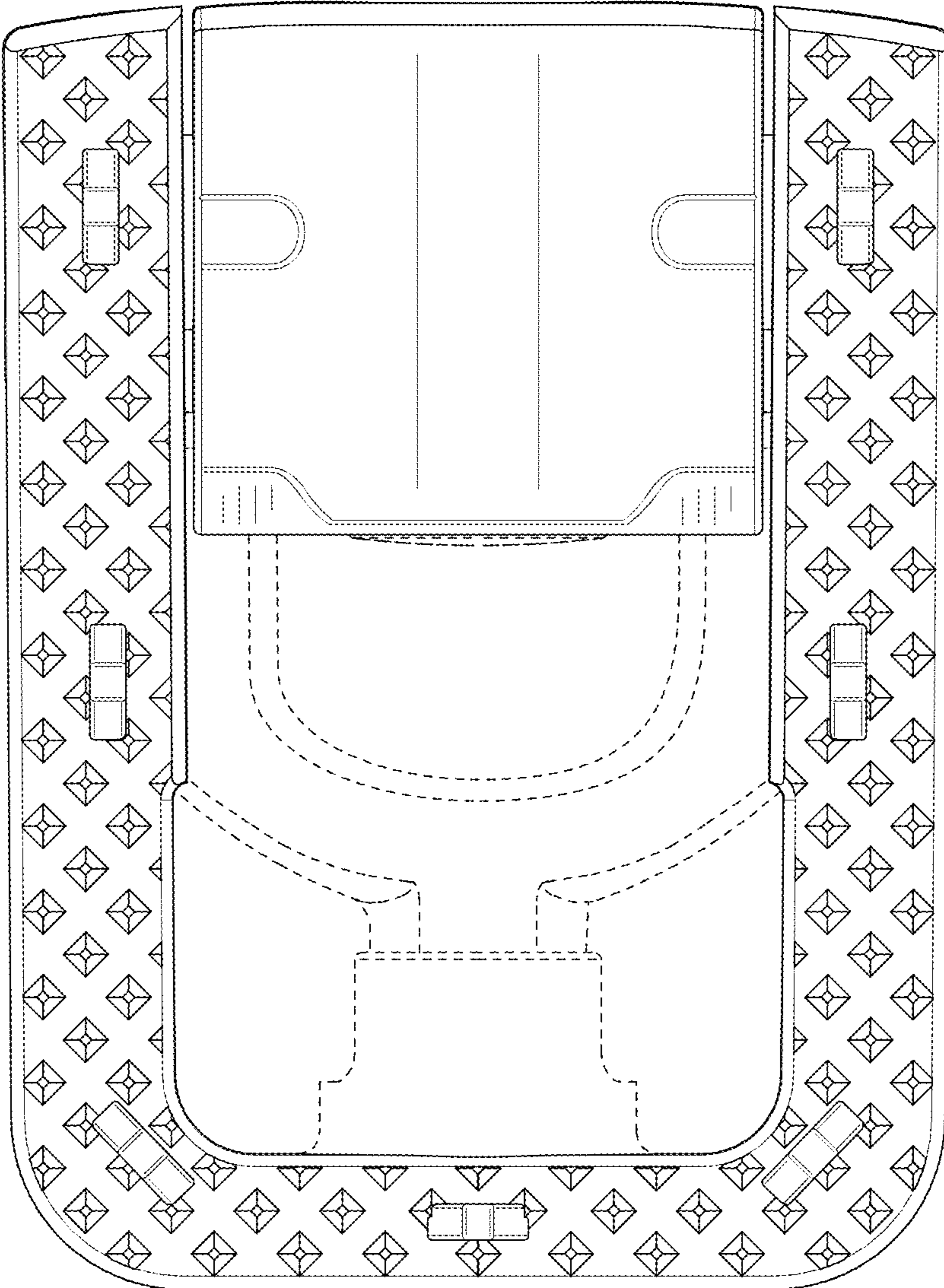


FIG. 7

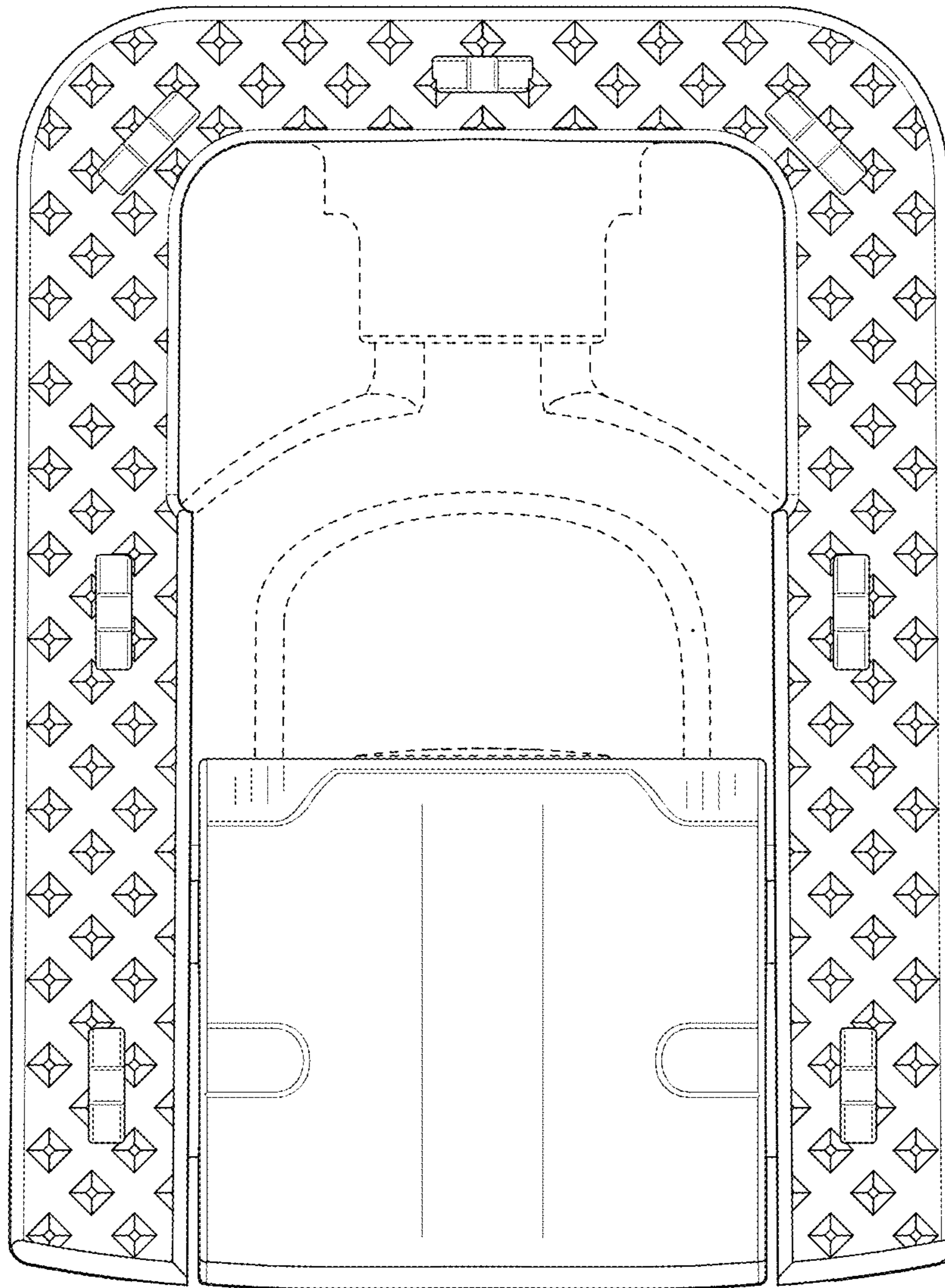


FIG. 8

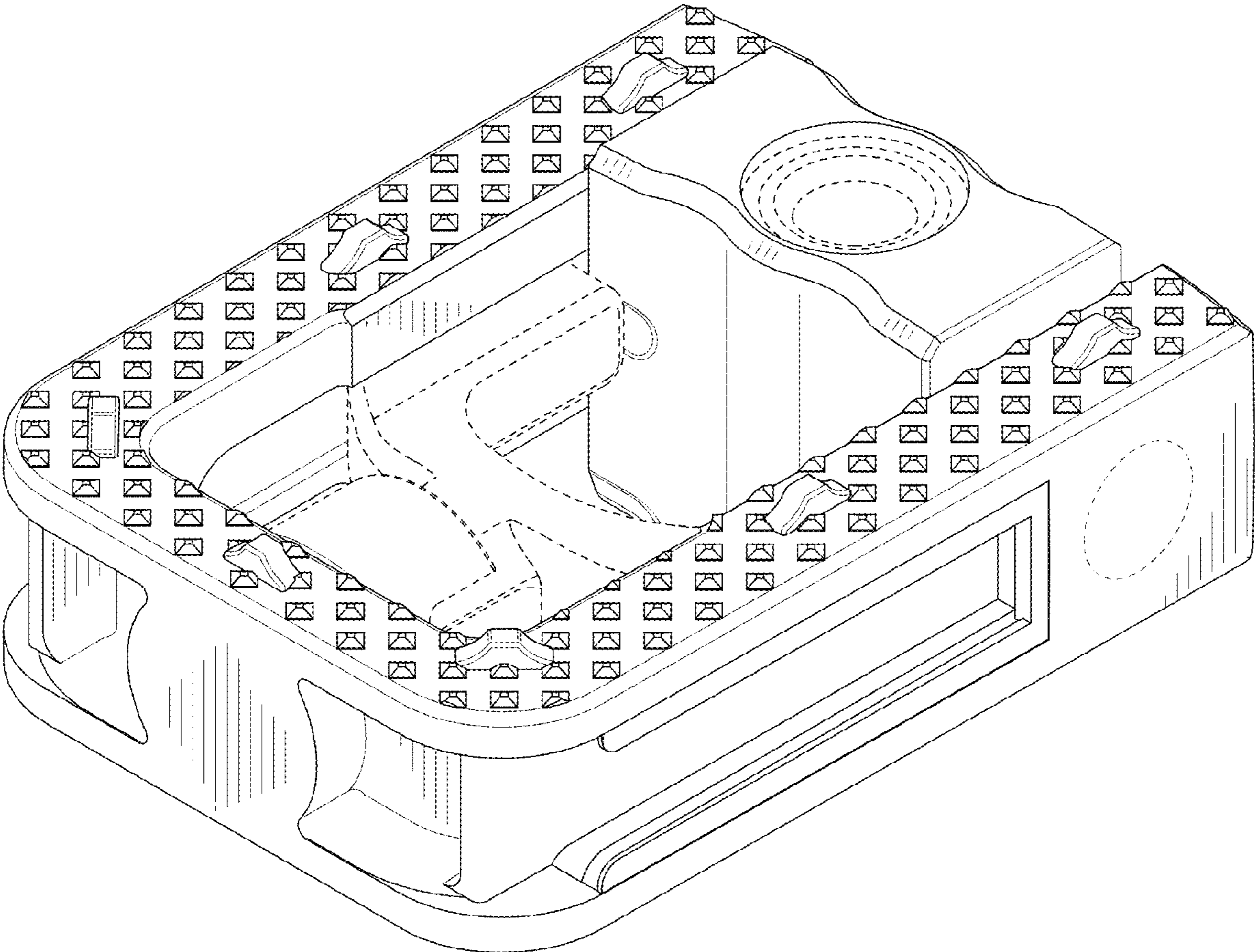


FIG. 9

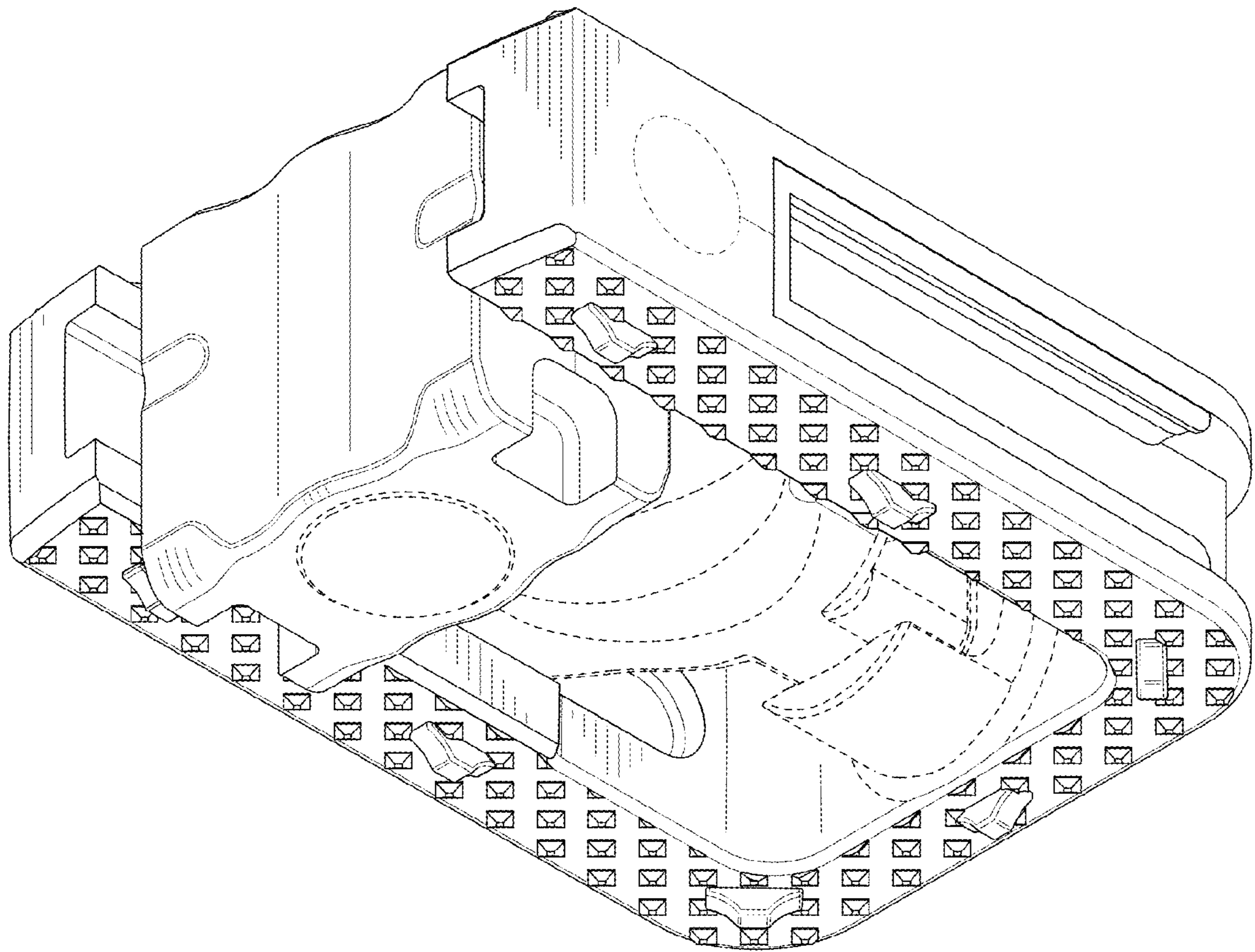


FIG. 10

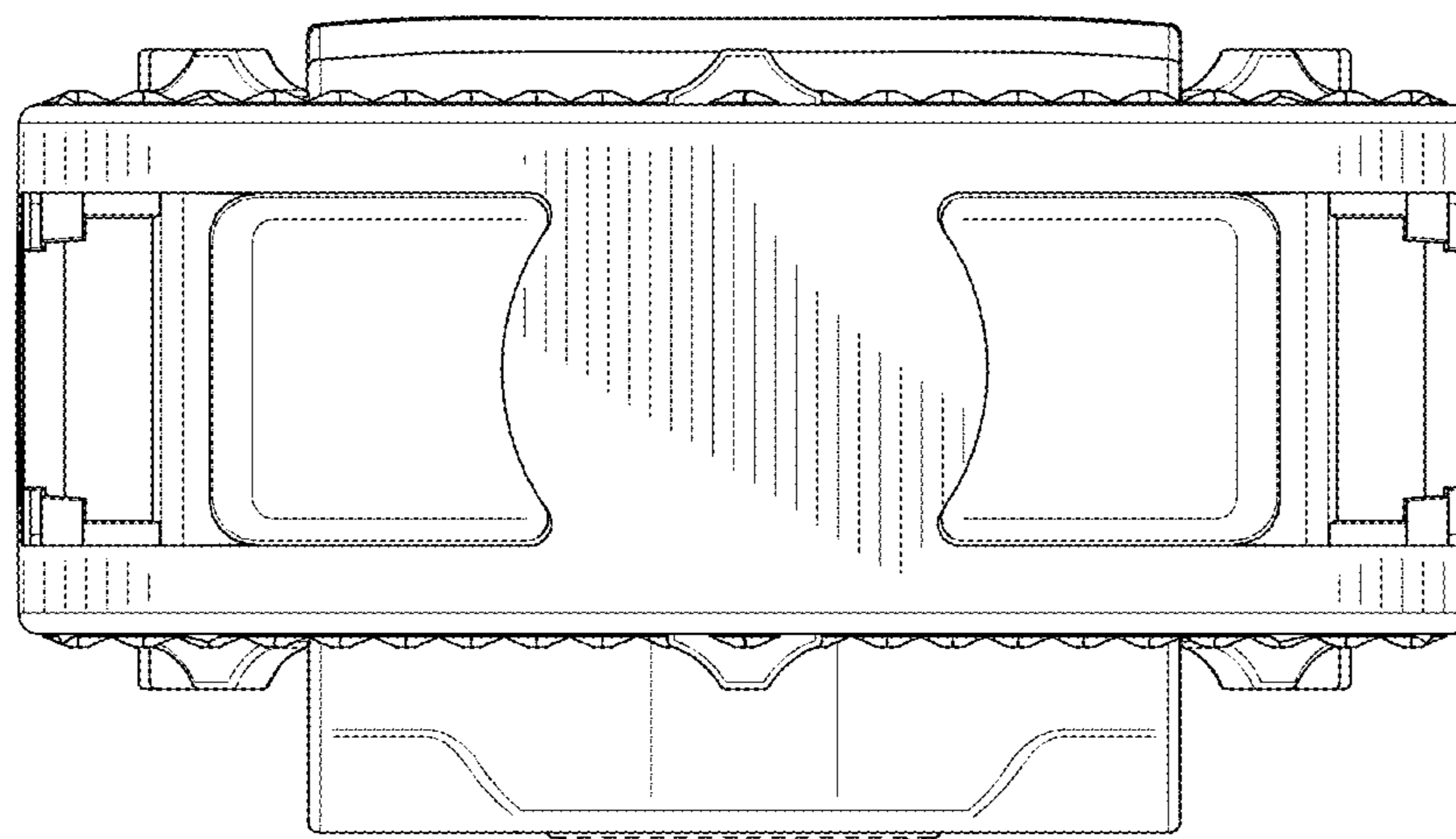


FIG. 11

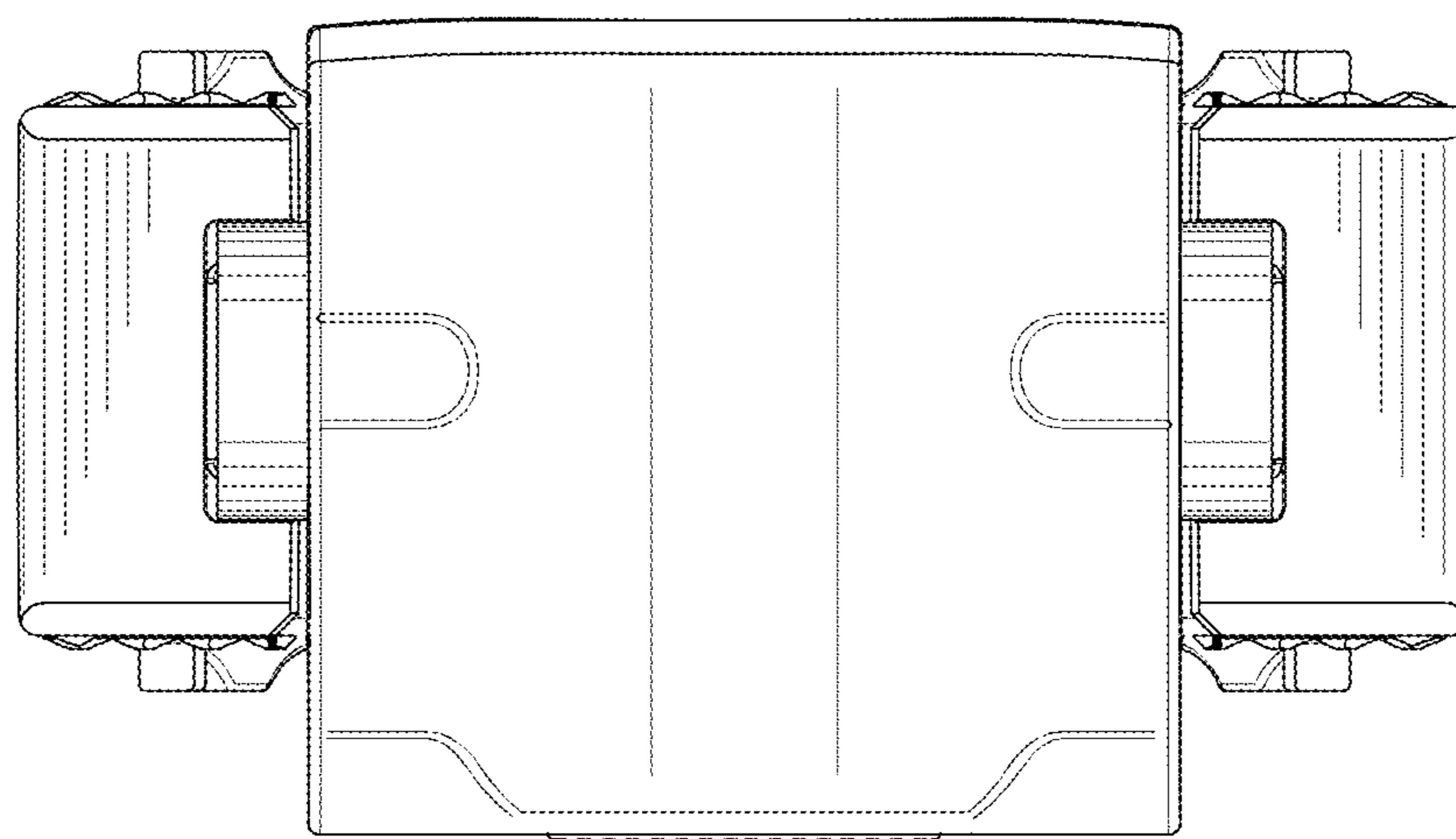


FIG. 12

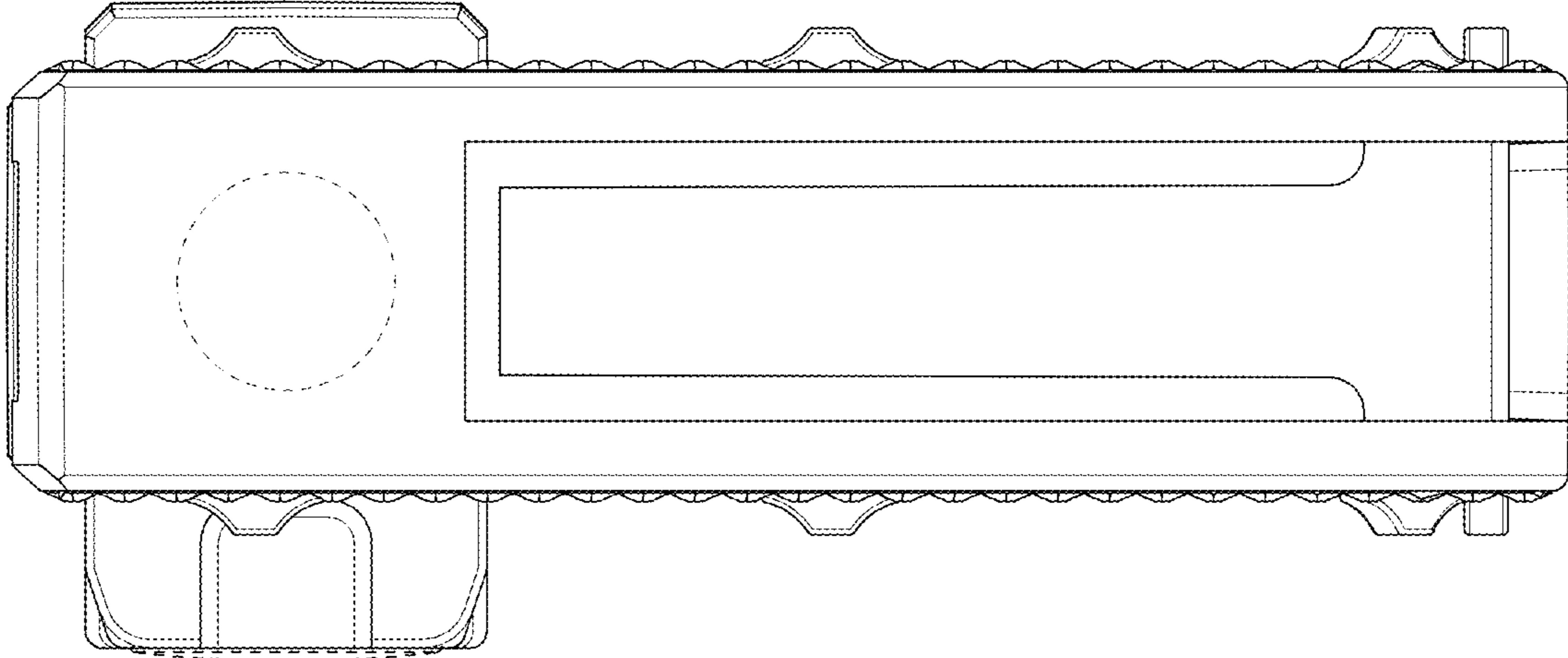


FIG. 13

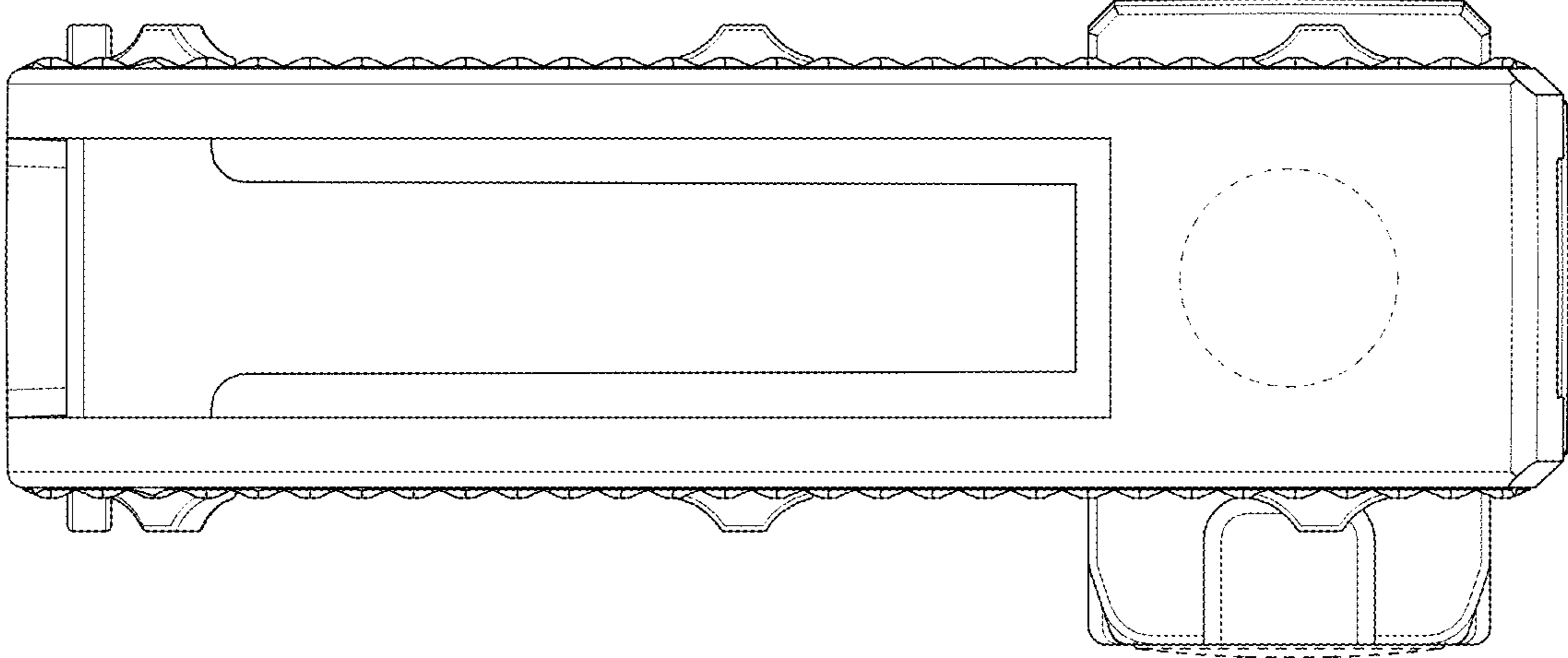


FIG. 14

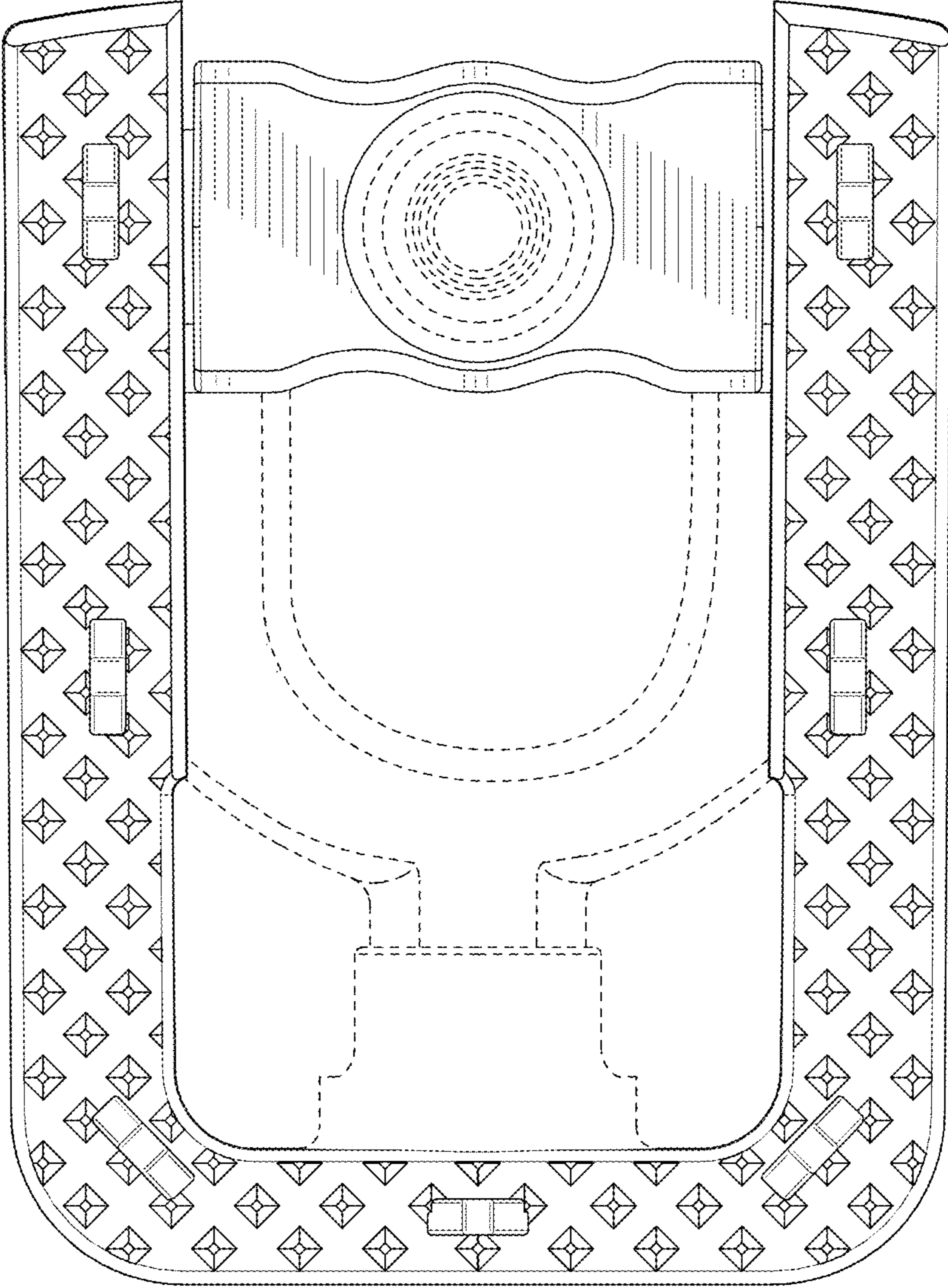


FIG. 15

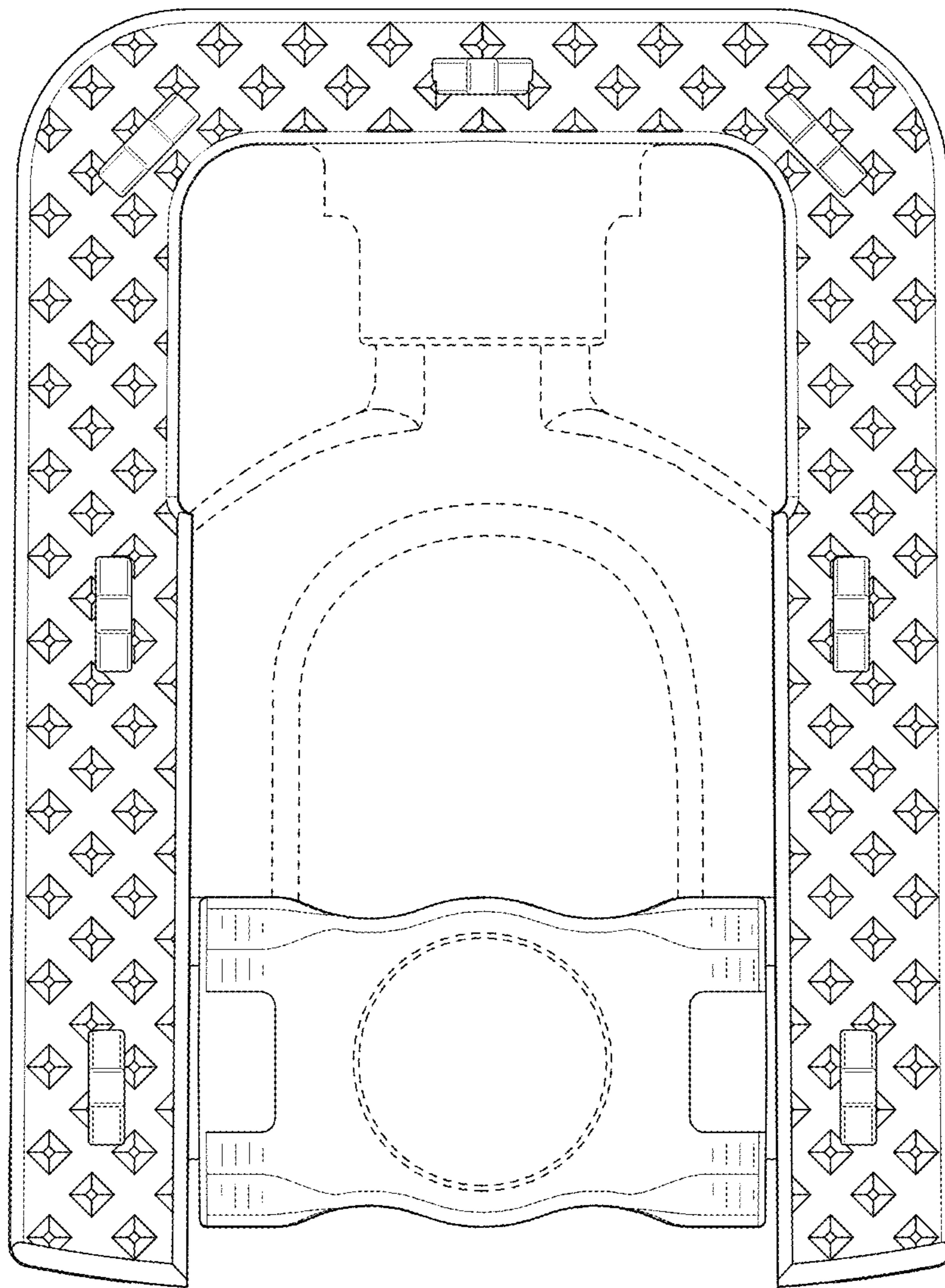


FIG. 16