



US00D870600S

(12) **United States Design Patent** (10) **Patent No.:** **US D870,600 S**  
**Brewer et al.** (45) **Date of Patent:** **\*\* Dec. 24, 2019**

(54) **ELLIPTICAL BICYCLE**  
(71) Applicant: **Aruana Energia S/A**, Goiania-GO (BR)  
(72) Inventors: **Brian Ray Brewer**, Santa Catarina (BR); **Robert James McKinnon**, Santa Catarina (BR)  
(73) Assignee: **Aruana Energia S/A** (BR)  
(\*\*) Term: **15 Years**  
(21) Appl. No.: **29/634,441**  
(22) Filed: **Jan. 22, 2018**  
(51) **LOC (12) Cl.** ..... **12-11**  
(52) **U.S. Cl.**  
USPC ..... **D12/111**  
(58) **Field of Classification Search**  
USPC ..... D12/107, 111, 117; D21/663, 664, 665  
CPC ..... B62K 3/002; B62K 5/02; B62K 15/006;  
B62M 1/12; B62M 1/26  
See application file for complete search history.

D638,499 S \* 5/2011 Scolari ..... D21/423  
D638,500 S \* 5/2011 Scolari ..... D21/423  
D645,792 S \* 9/2011 Bai ..... D12/111  
8,220,814 B1 \* 7/2012 Riviglia ..... B62M 1/26  
280/221  
D688,164 S \* 8/2013 Calderon ..... D12/111  
8,579,769 B2 \* 11/2013 Sans ..... B62K 3/002  
280/221  
D696,984 S \* 1/2014 Haupt ..... D12/111  
8,944,452 B1 \* 2/2015 Scolari ..... B62K 3/002  
280/221  
D737,727 S \* 9/2015 Brewer ..... D12/111  
D737,728 S \* 9/2015 Brewer ..... D12/111  
D738,262 S \* 9/2015 Brewer ..... D12/111  
D738,790 S \* 9/2015 Brewer ..... D12/111  
D738,791 S \* 9/2015 Brewer ..... D12/111  
D738,792 S \* 9/2015 Brewer ..... D12/111  
D776,015 S \* 1/2017 Teal ..... B62M 1/26  
D12/111  
2008/0116655 A1 \* 5/2008 Pate ..... B62M 1/26  
280/221

\* cited by examiner

*Primary Examiner* — Darlington Ly  
(74) *Attorney, Agent, or Firm* — Aldo Noto; Davidson Berquist Jackson & Gowdey, LLP

(56) **References Cited**

U.S. PATENT DOCUMENTS

5,591,107 A \* 1/1997 Rodgers, Jr. .... A63B 71/0622  
482/51  
6,439,590 B1 \* 8/2002 Liang ..... B62K 3/002  
280/221  
6,659,486 B2 \* 12/2003 Eschenbach ..... B62K 3/002  
280/221  
D526,250 S \* 8/2006 Trumble ..... D12/111  
7,140,626 B1 \* 11/2006 Keay ..... A63B 21/0004  
280/230  
D633,416 S \* 3/2011 Teal ..... D12/111  
D633,827 S \* 3/2011 Teal ..... D12/111  
D638,483 S \* 5/2011 Scolari ..... D21/423  
D638,484 S \* 5/2011 Scolari ..... D21/423  
D638,485 S \* 5/2011 Scolari ..... D21/423

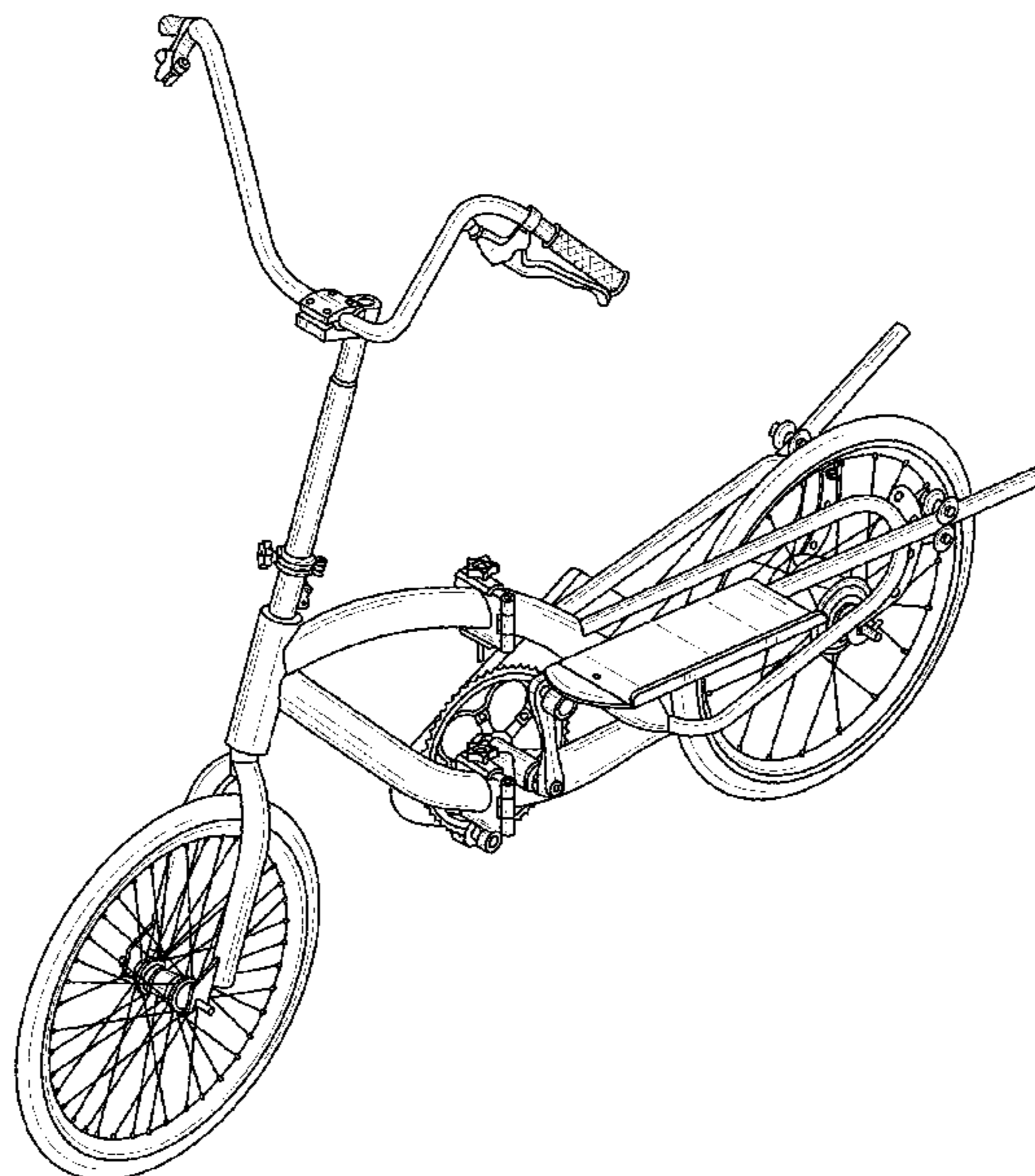
(57) **CLAIM**

The ornamental design for an elliptical bicycle, as shown and described.

**DESCRIPTION**

FIG. 1 is a top, front, and left side perspective view of an elliptical bicycle showing our new design;  
FIG. 2 is a front elevation view thereof;  
FIG. 3 is a rear elevation view thereof;  
FIG. 4 is a left side elevation view thereof;  
FIG. 5 is a right side elevation view thereof;  
FIG. 6 is a top plan view thereof; and,  
FIG. 7 is a bottom plan view thereof.

**1 Claim, 6 Drawing Sheets**



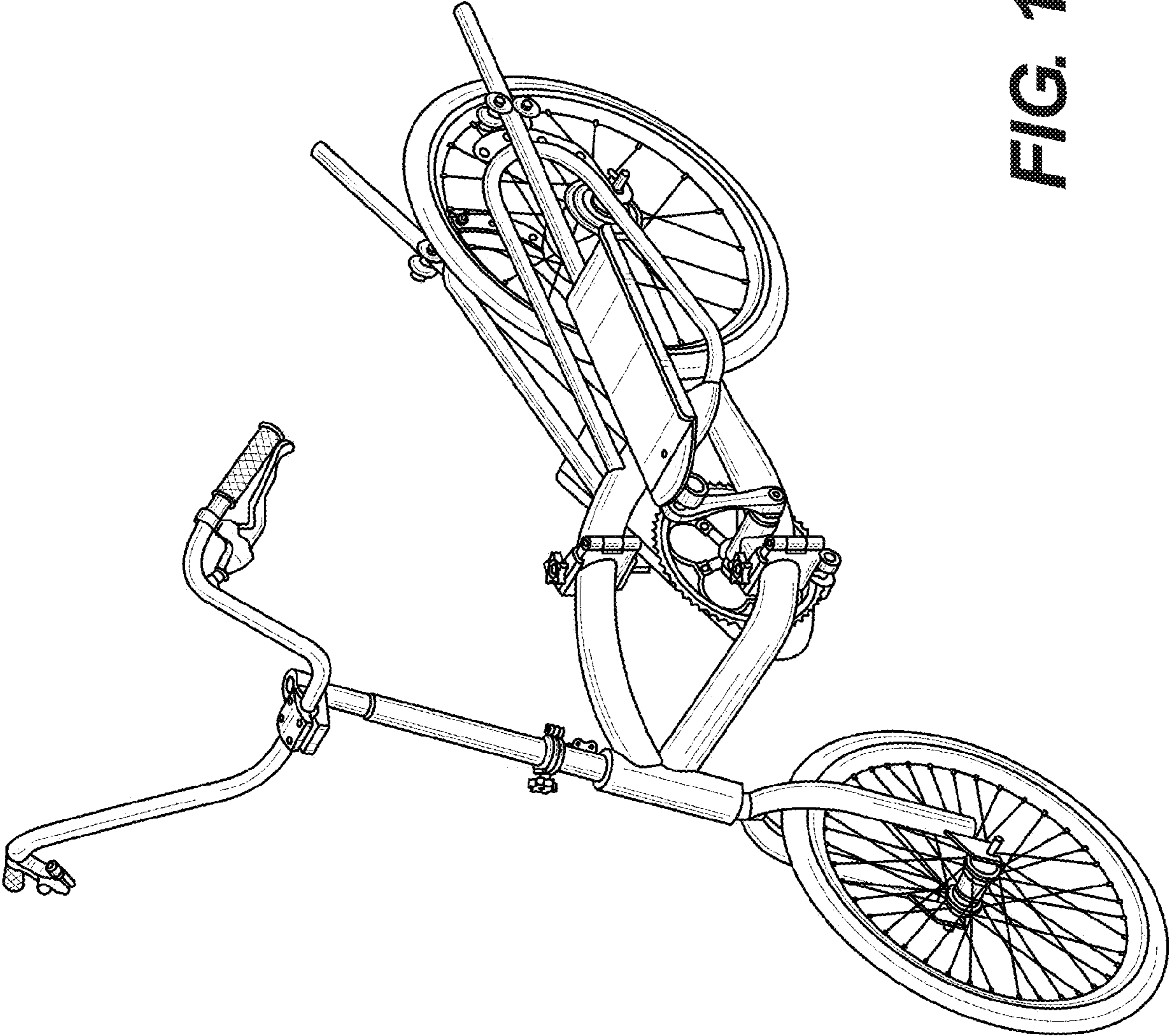
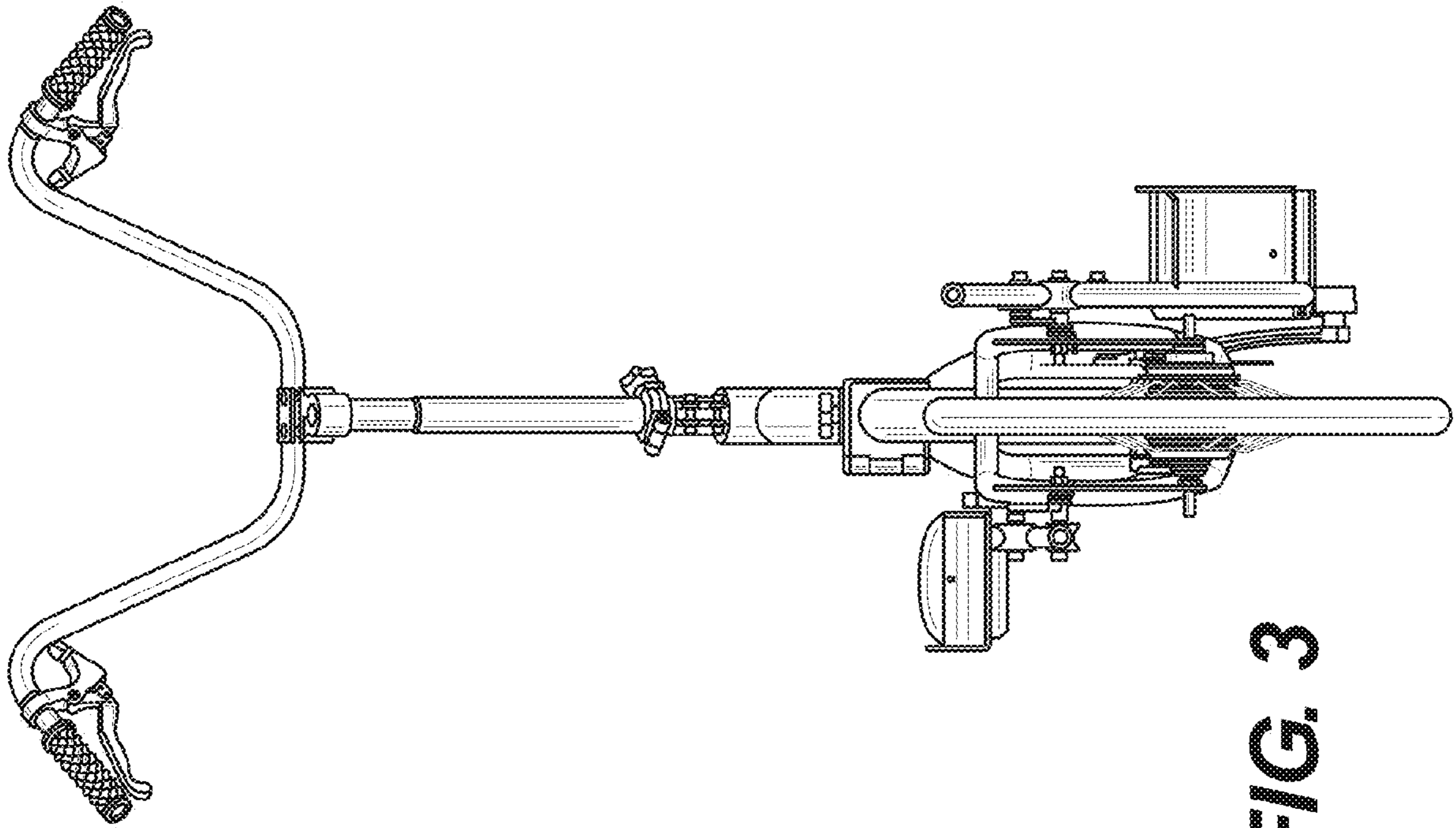
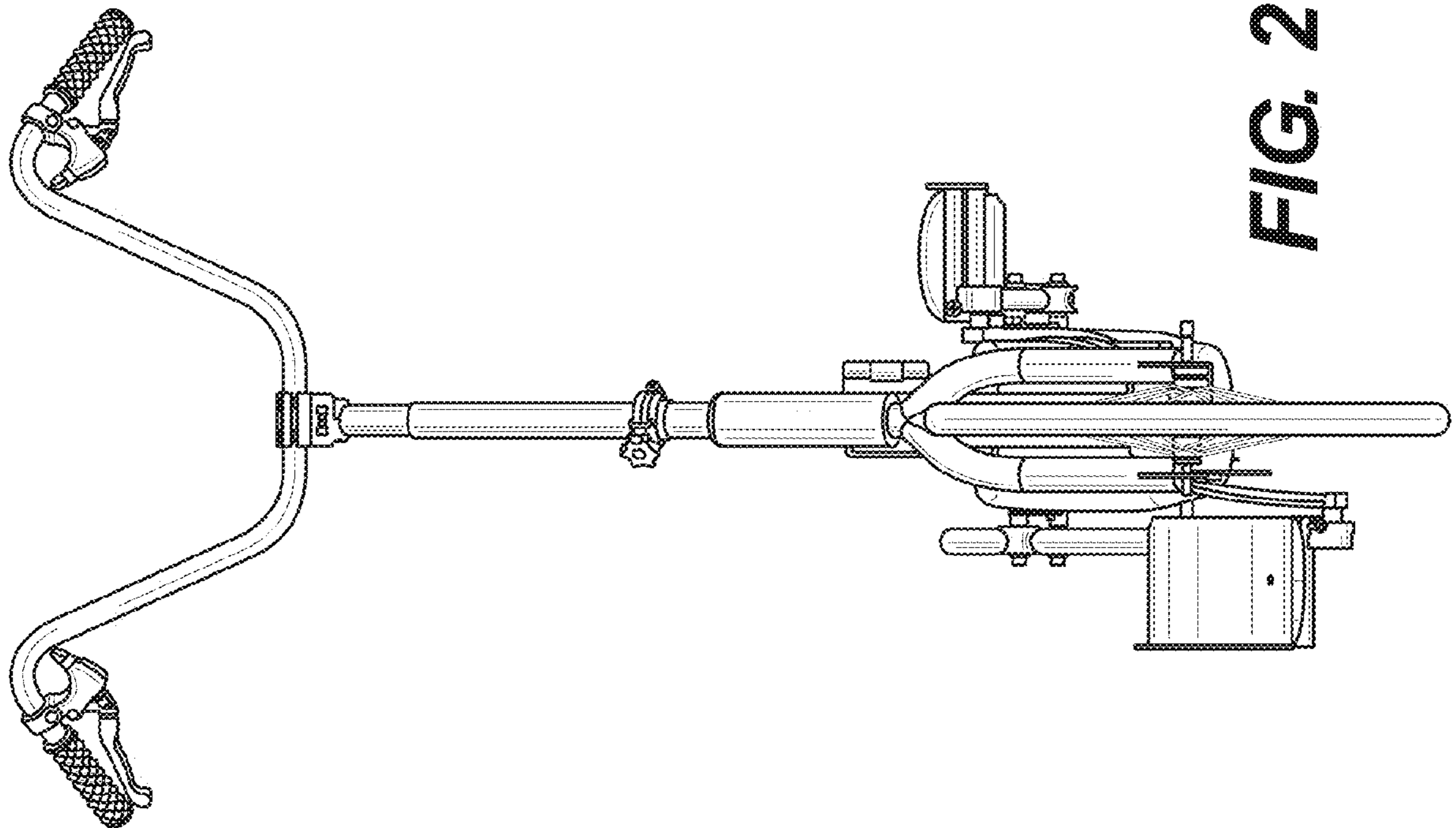


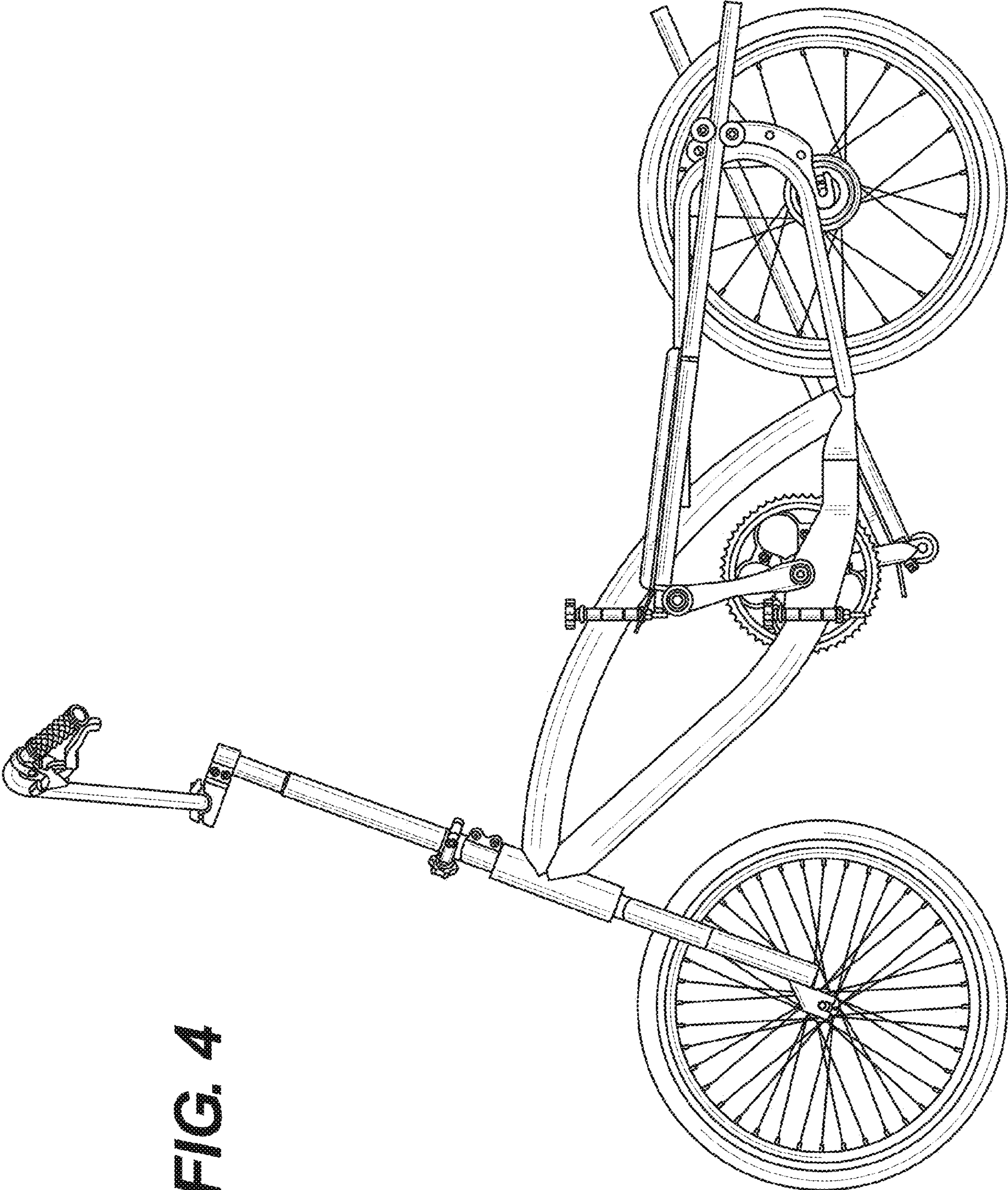
FIG. 1



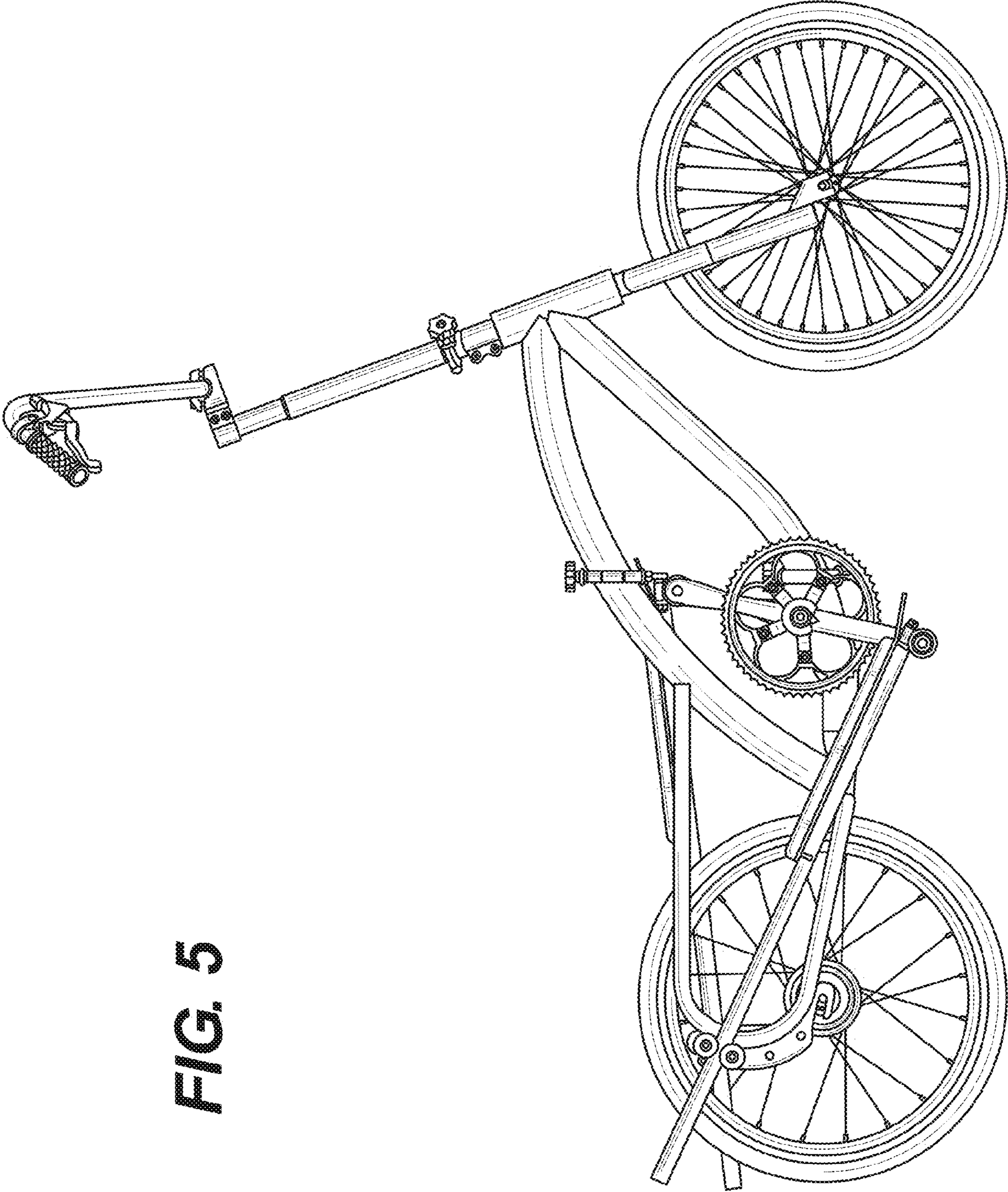
**FIG. 3**



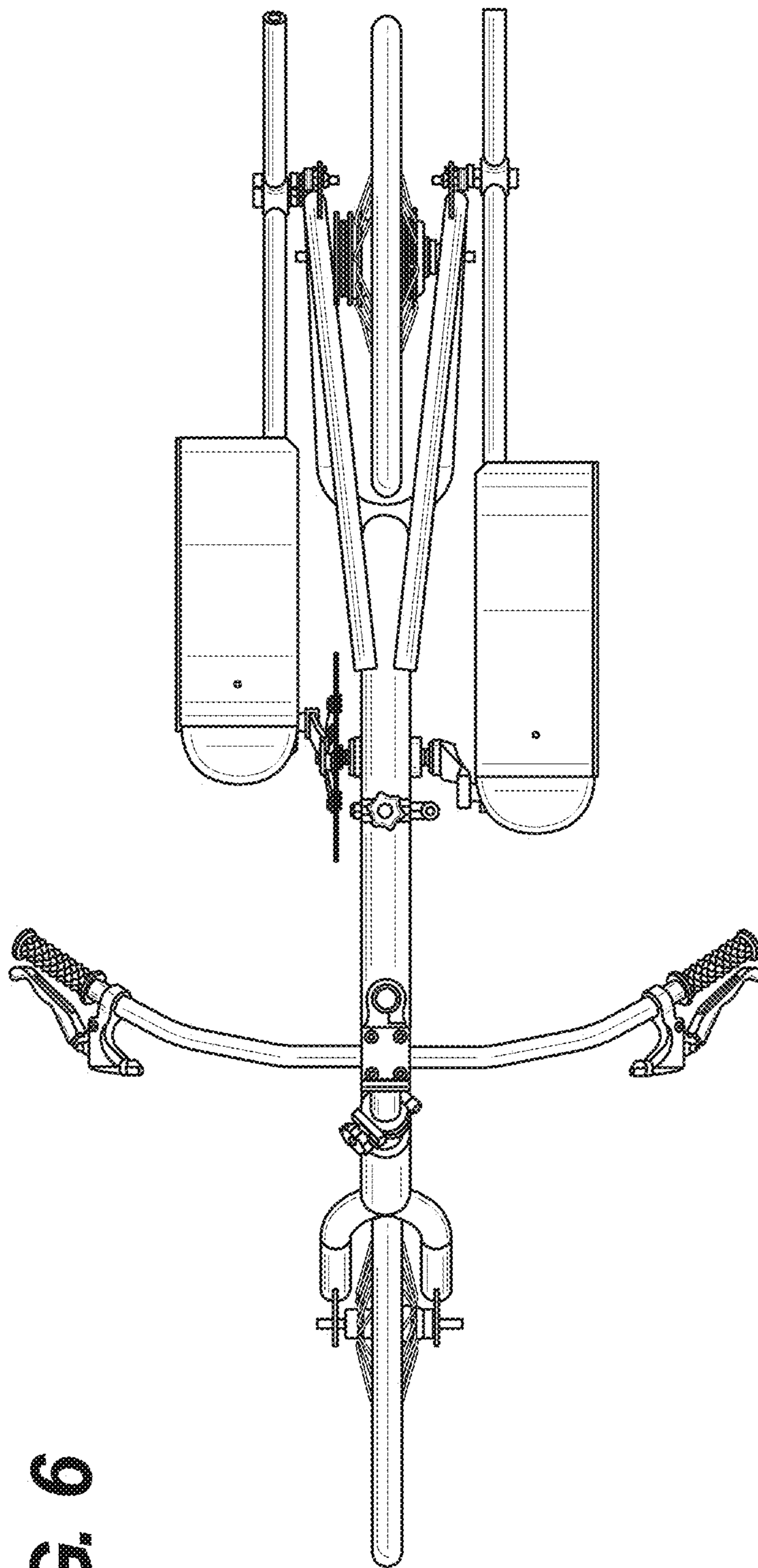
**FIG. 2**



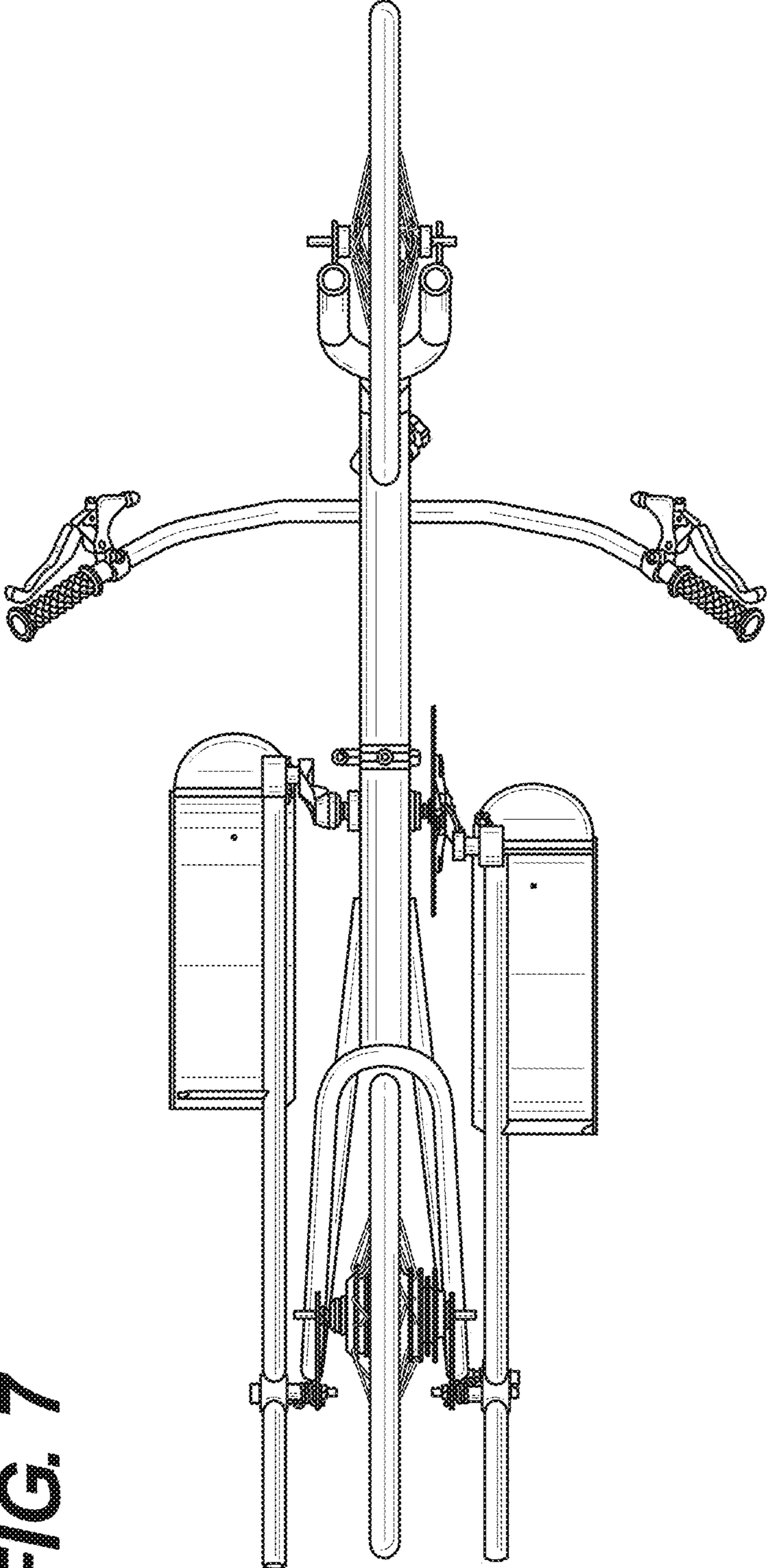
**FIG. 4**



**FIG. 5**



**FIG. 6**



**FIG. 7**