



US00D870597S

(12) **United States Design Patent**
Kirzinger et al.

(10) **Patent No.:** **US D870,597 S**

(45) **Date of Patent:** **** Dec. 24, 2019**

- (54) **TRUCK BOOTH**
- (71) Applicant: **MAN Latin America Indústria e Comércio de Veículos Ltda., São Paulo-SP (BR)**
- (72) Inventors: **Albert-Johann Kirzinger, Wolfsburg (DE); Roland Faller, Wolfsburg (DE); Peter Levko, Wolfsburg (DE); Florian Wendt, Wolfsburg (DE)**
- (73) Assignee: **MAN Latin America Industria e Comercio de Veiculos Ltda., Sao Paulo-SP (BR)**

D343,819 S *	2/1994	Meryman	D12/181
D384,317 S *	9/1997	Jahnke	D12/181
5,826,672 A *	10/1998	Holter	B62D 25/10 180/69.21
D414,150 S *	9/1999	Sutton	D12/181
5,947,520 A *	9/1999	McHorse	B62D 35/001 280/154
6,286,964 B1 *	9/2001	Litmer	B60R 1/06 150/154
6,454,035 B1 *	9/2002	Waskow	B62D 33/067 180/69.21
6,682,130 B2 *	1/2004	Lustig	B62D 25/10 296/146.12
D504,850 S *	5/2005	Gunter	D12/169
D532,352 S *	11/2006	Angelo	D12/184
D532,727 S *	11/2006	Schiavone	D12/169
7,185,920 B2 *	3/2007	Drummond	B62D 25/168 280/770

(**) Term: **15 Years**

(21) Appl. No.: **29/639,189**

(22) Filed: **Mar. 5, 2018**

(30) **Foreign Application Priority Data**

Sep. 5, 2017 (BR) 302017003864

(51) **LOC (12) Cl.** **12-08**

(52) **U.S. Cl.**
USPC **D12/96**

(58) **Field of Classification Search**
USPC D12/166, 167, 169, 171, 172, 181, 183,
D12/190, 196, 216
CPC B60R 1/06; B62D 25/10; B62D 25/16;
B62D 25/168
See application file for complete search history.

(56) **References Cited**

U.S. PATENT DOCUMENTS

4,500,063 A *	2/1985	Schmidt	B60R 1/06 248/314
D319,996 S *	9/1991	Thompson	D12/100

(Continued)

Primary Examiner — Susan Bennett Hattan

Assistant Examiner — Suzanne E Tisdell

(74) *Attorney, Agent, or Firm* — Alston & Bird LLP

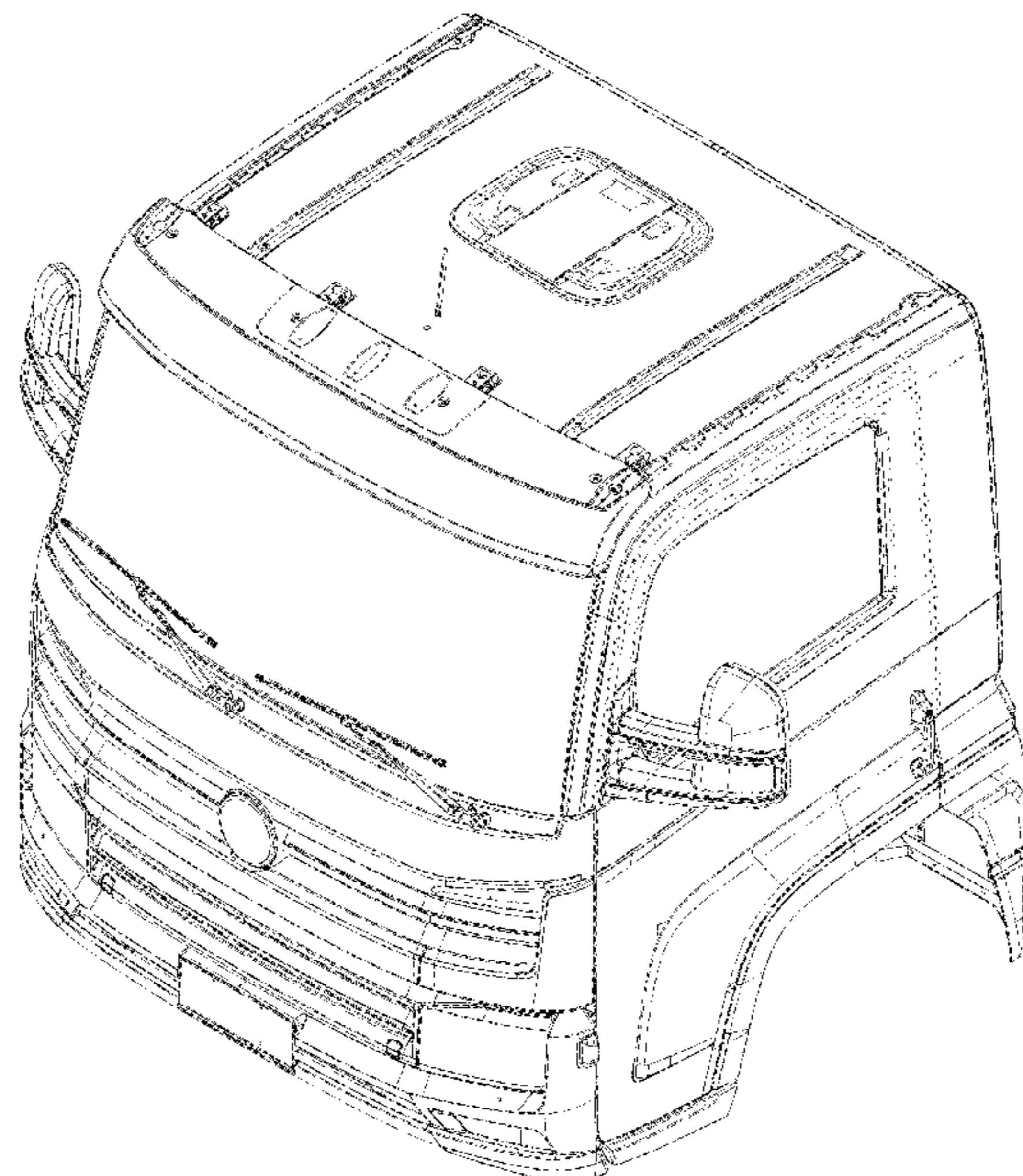
(57) **CLAIM**

We claim the ornamental design for a truck booth, as shown and described.

DESCRIPTION

FIG. 1 is a perspective view of a truck booth showing the new design;
FIG. 2 is a front elevation view of the truck booth of FIG. 1;
FIG. 3 is a rear elevation view of the truck booth of FIG. 1;
FIG. 4 is a top plan view of the truck booth of FIG. 1;
FIG. 5 is a bottom plan view of the truck booth of FIG. 1;
FIG. 6 is a left side elevation view of the truck booth of FIG. 1; and,
FIG. 7 is a right side elevation view of the truck booth of FIG. 1.

1 Claim, 7 Drawing Sheets



(56)

References Cited

U.S. PATENT DOCUMENTS

7,195,307 B2 * 3/2007 Tucker B62D 25/10
16/225
7,207,172 B2 * 4/2007 Willix B62D 25/10
60/274
7,240,753 B2 * 7/2007 Ellerman B62D 25/16
180/69.2
D557,191 S * 12/2007 Curtis, Jr. D12/196
D560,582 S * 1/2008 Simons D12/196
D575,694 S * 8/2008 Opfer D12/169
D575,696 S * 8/2008 Gale D12/169
D617,242 S * 6/2010 Lackore D12/190
D627,687 S * 11/2010 Lewis D12/12
D654,417 S * 2/2012 Peltola D12/196
8,226,158 B1 * 7/2012 Jackson B62D 25/168
280/160
D666,541 S * 9/2012 Stimel, Jr. D12/181
D673,489 S * 1/2013 Hanson D12/196
D677,196 S * 3/2013 Salaverry D12/181
8,469,443 B2 * 6/2013 Case B60J 9/02
296/190.11

D707,608 S * 6/2014 Smith D12/181
D709,421 S * 7/2014 Conway D12/196
D709,424 S * 7/2014 Conway D12/196
D709,425 S * 7/2014 Conway D12/196
8,800,703 B2 * 8/2014 Miller B62D 25/10
180/69.2
8,905,445 B2 * 12/2014 Critchley B60R 19/18
293/102
9,221,398 B1 * 12/2015 Englander B60R 1/078
9,233,722 B1 * 1/2016 Bixby B60R 3/02
9,308,944 B2 * 4/2016 Hanson B62D 25/182
D760,126 S * 6/2016 Doyle D12/169
D770,350 S * 11/2016 Lindsey D12/196
D780,081 S * 2/2017 Lee D12/184
D782,381 S * 3/2017 Conway D12/196
D785,521 S * 5/2017 Smith D12/181
9,643,658 B2 * 5/2017 Jaynes B62D 25/168
D789,856 S * 6/2017 Wolff D12/196
D805,981 S * 12/2017 Conway D12/196
D812,535 S * 3/2018 Milton D12/181
D826,816 S * 8/2018 Lokers D12/196

* cited by examiner

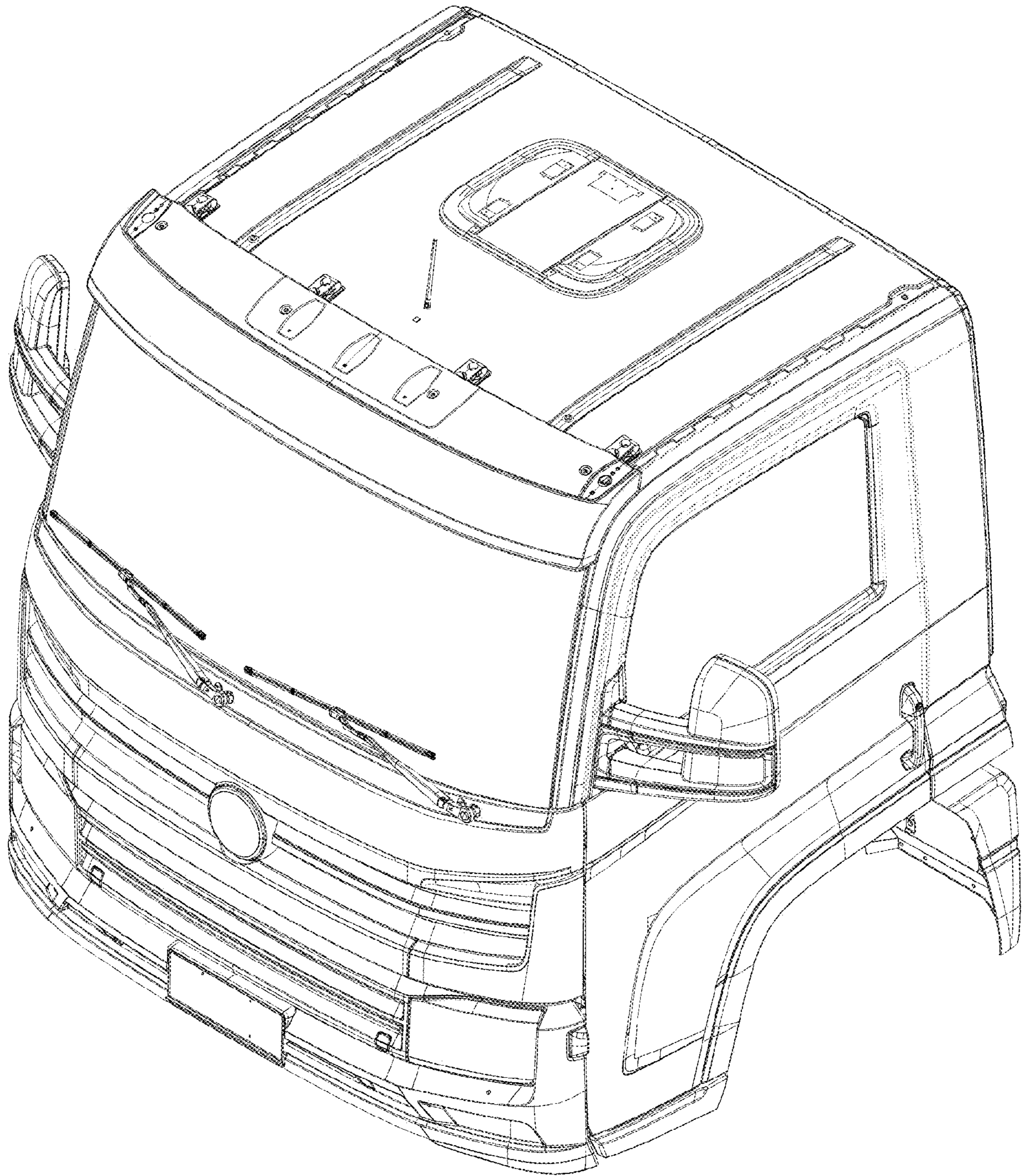


FIG. 1

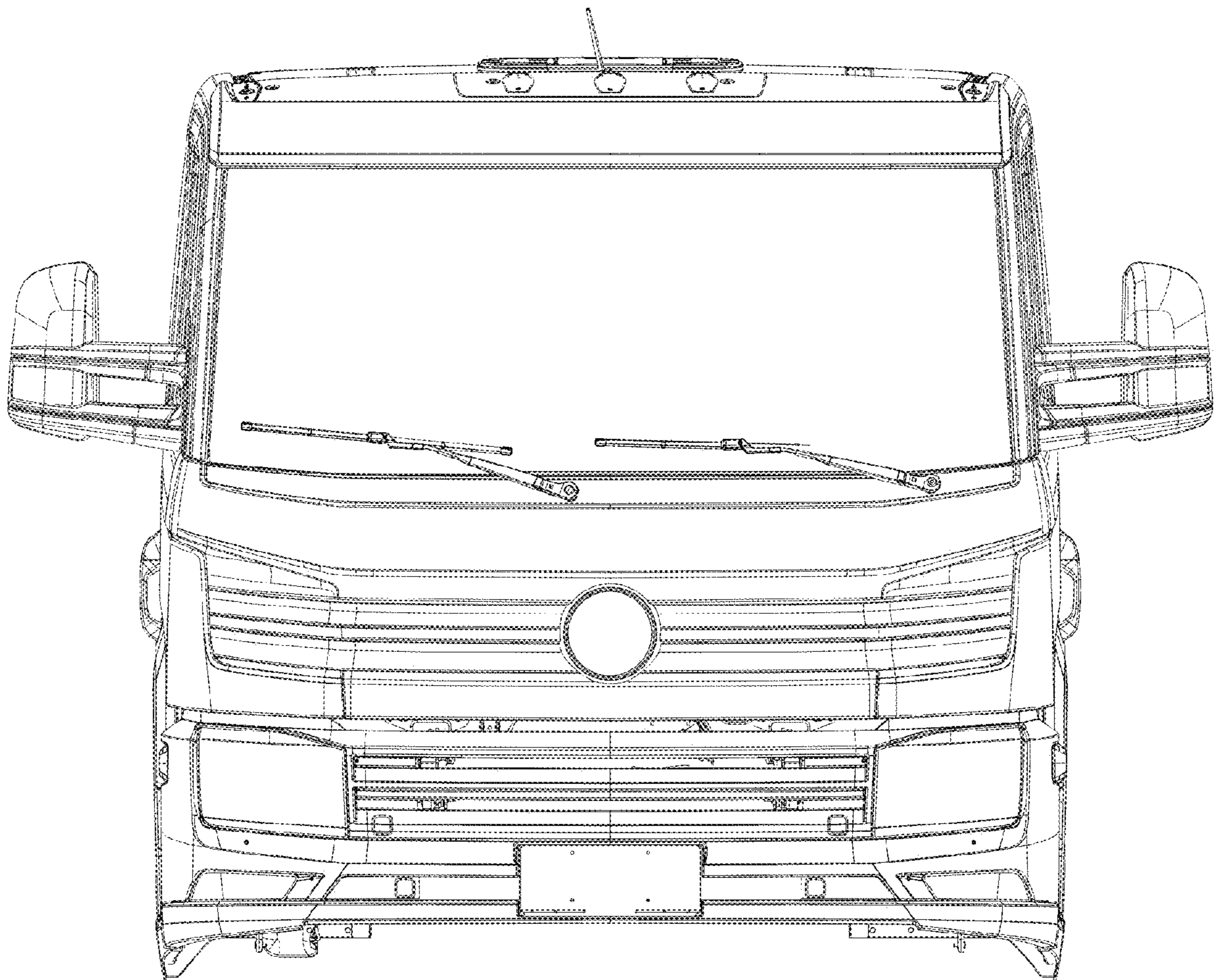


FIG. 2

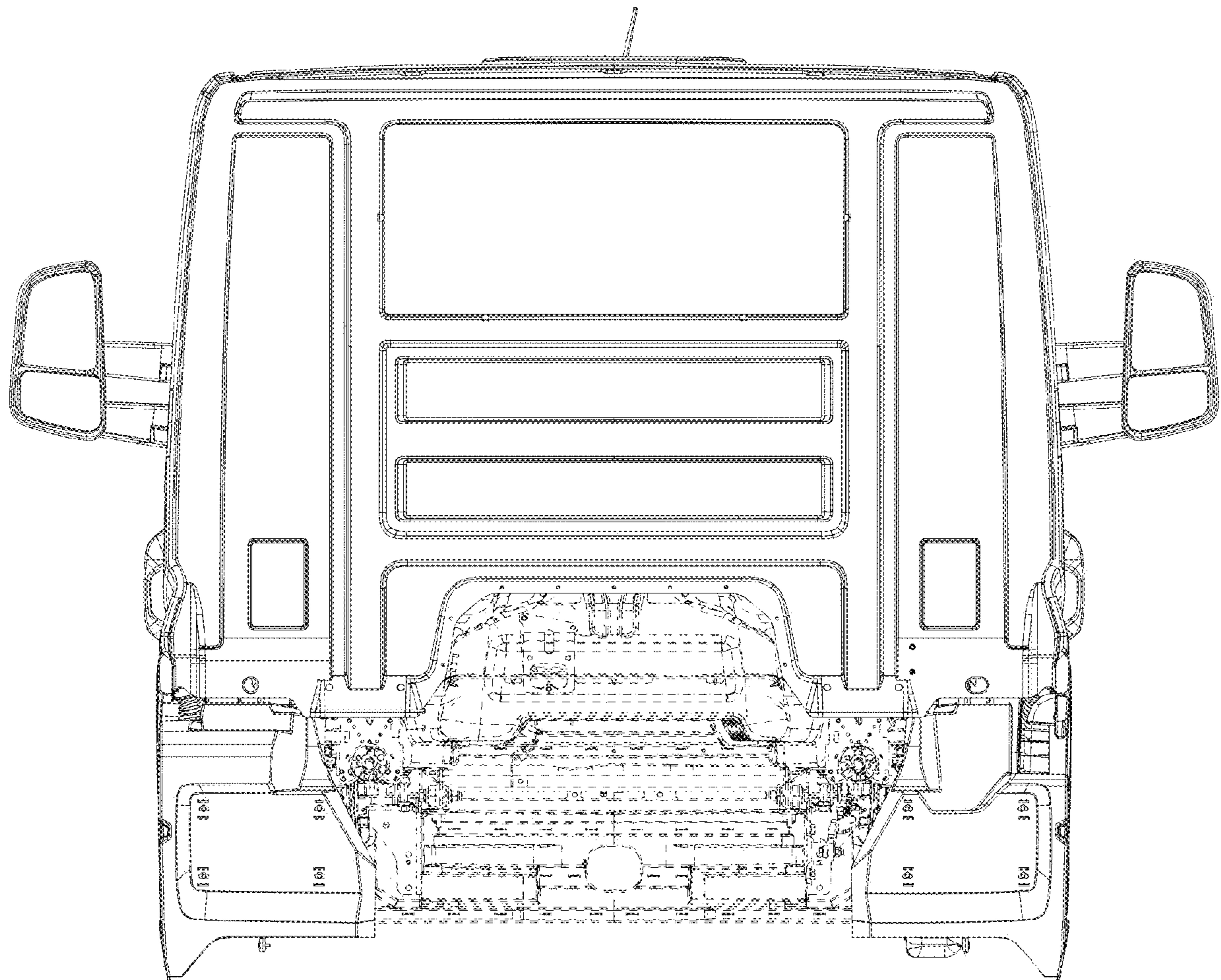


FIG. 3

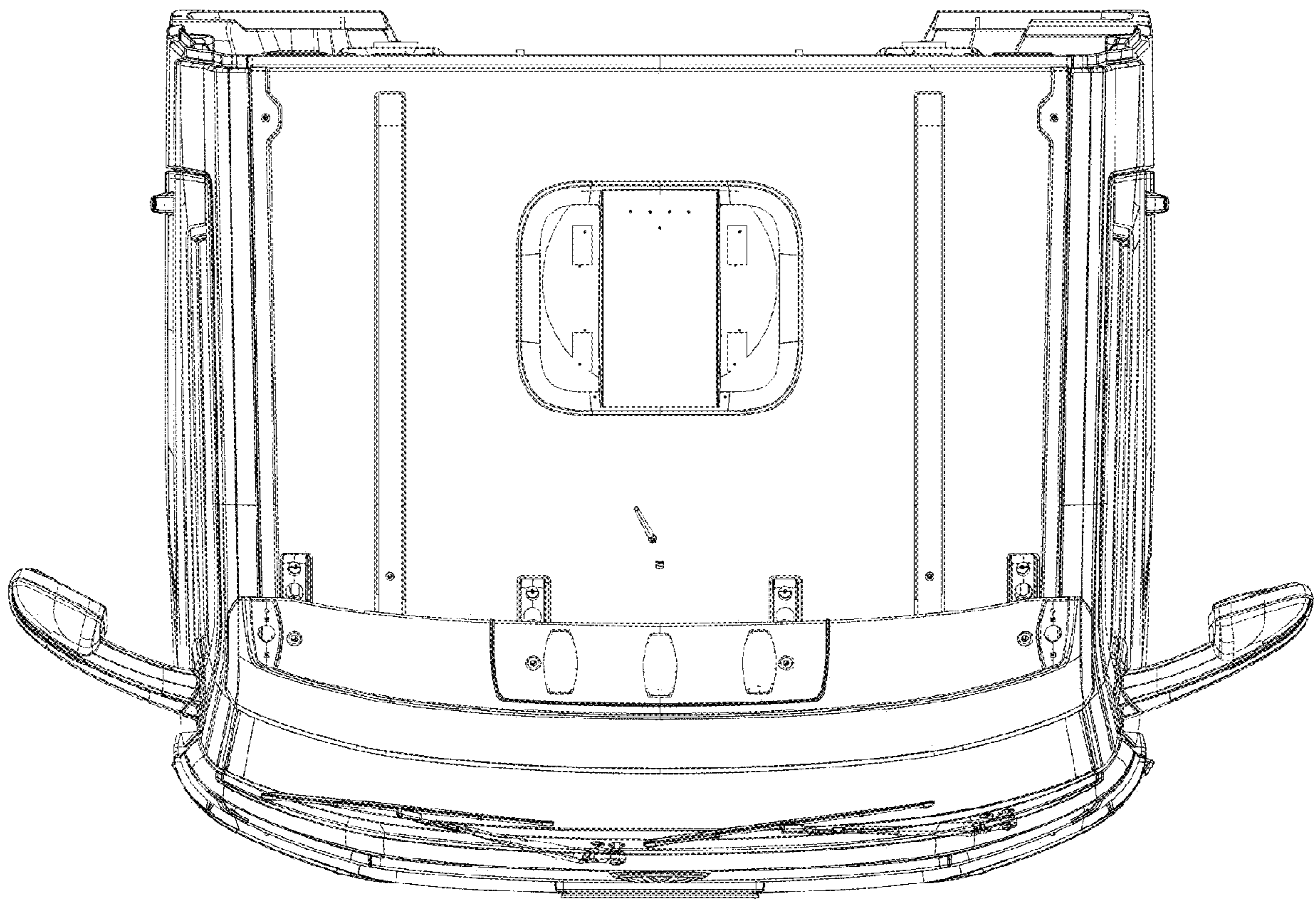


FIG. 4

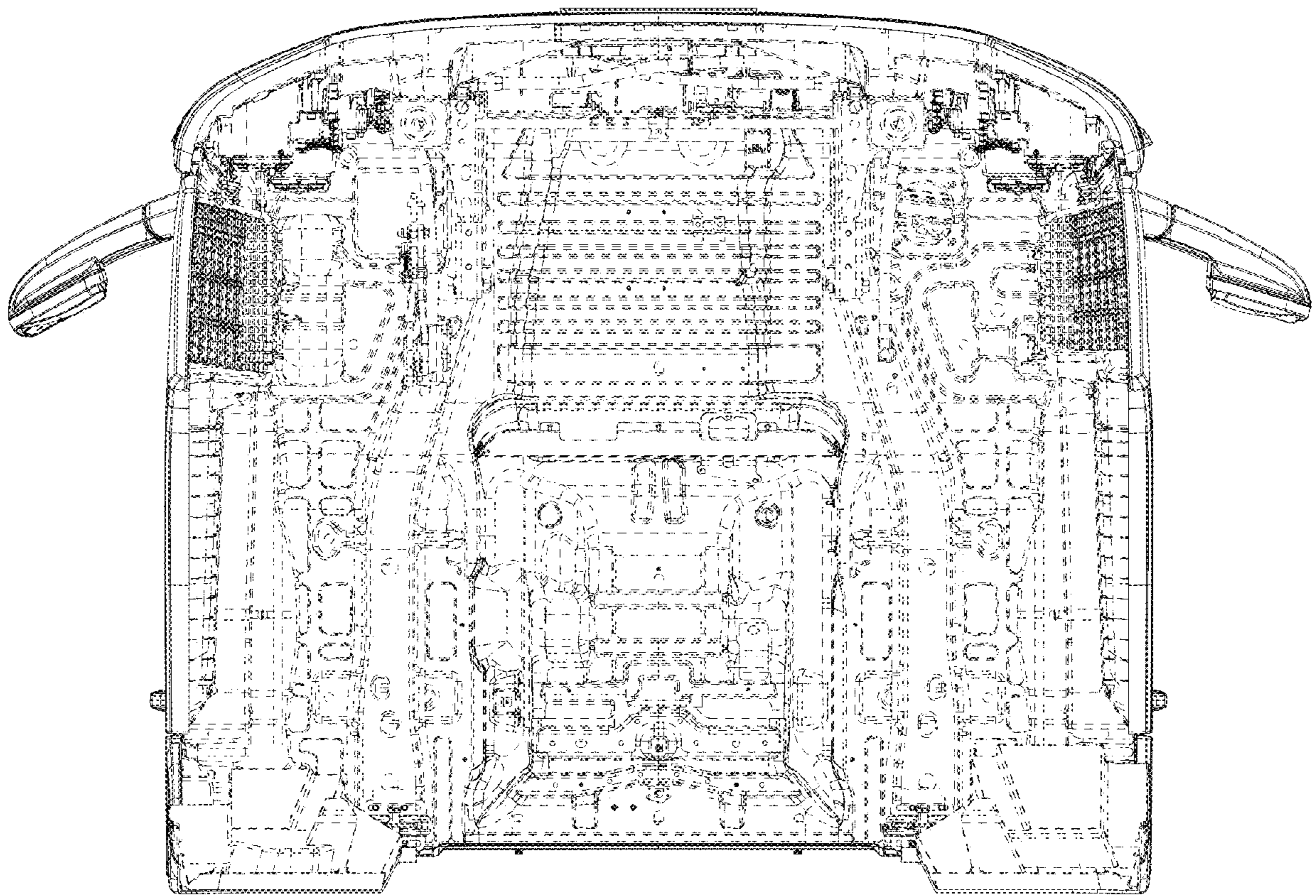


FIG. 5

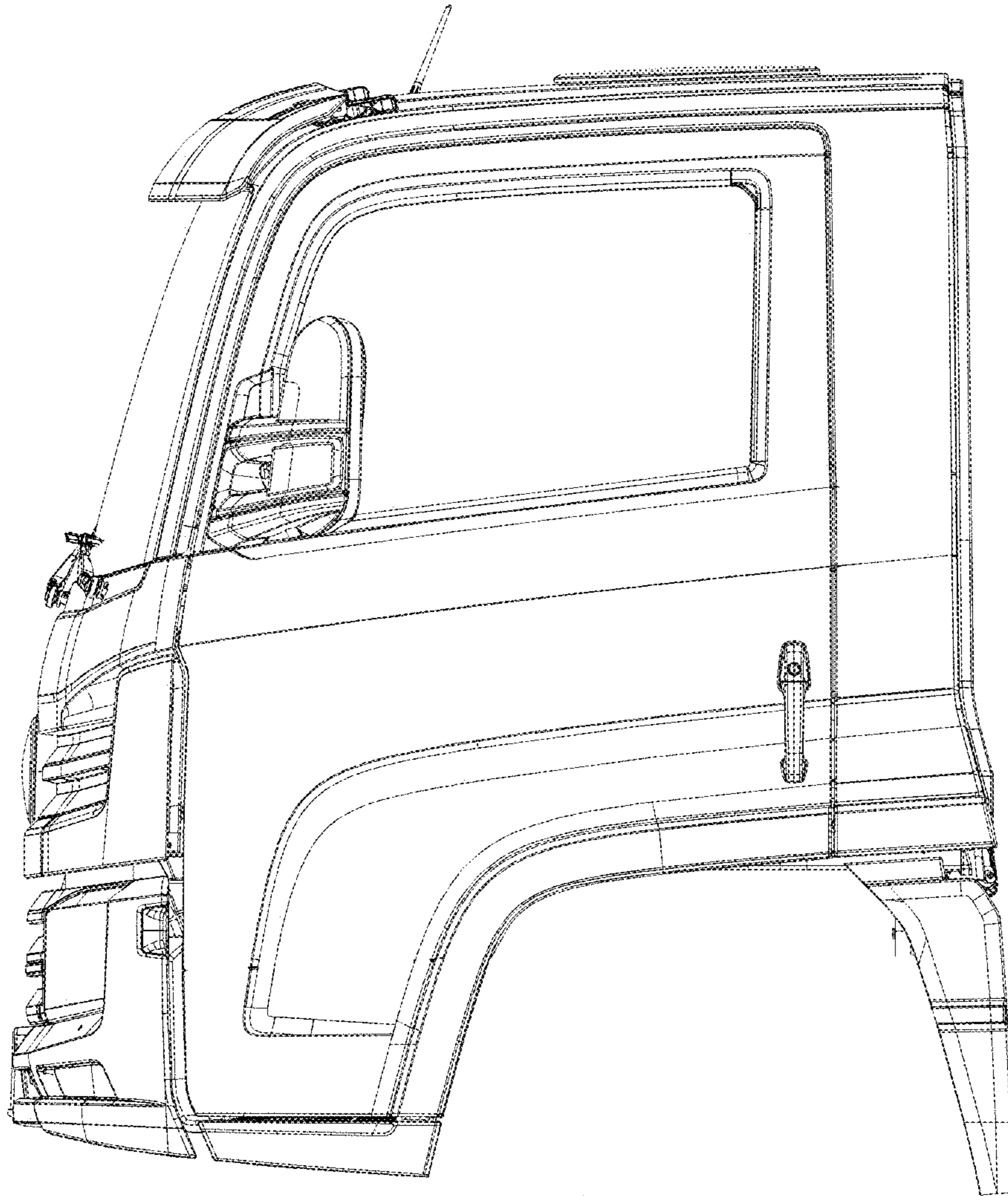


FIG. 6

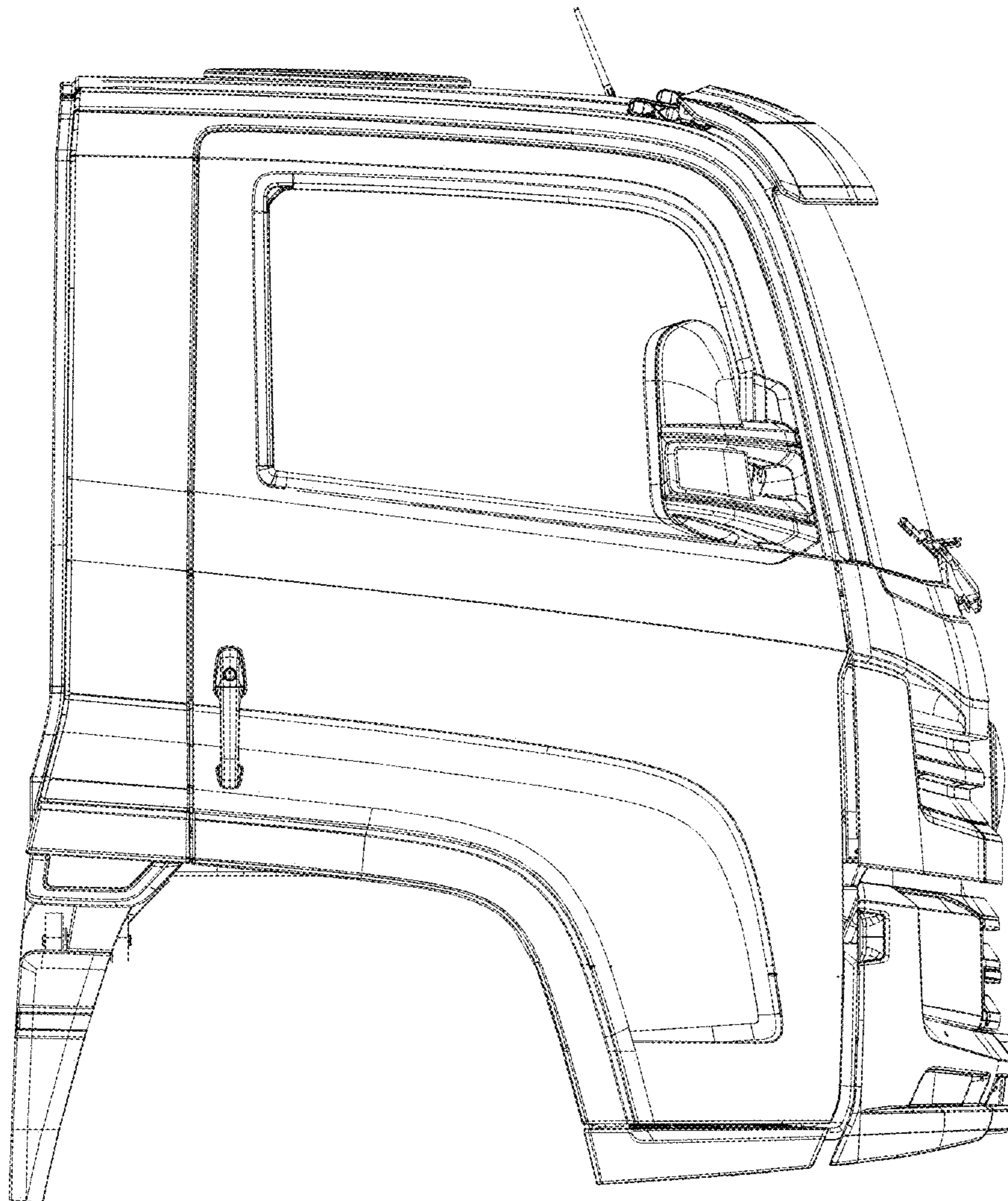


FIG. 7