



US00D870596S

(12) **United States Design Patent**  
**Yamashita**

(10) **Patent No.:** **US D870,596 S**

(45) **Date of Patent:** **\*\* Dec. 24, 2019**

(54) **MOTOR VEHICLE, TOY AND/OR REPLICA**

(71) Applicant: **Dr. Ing. h.c. F. Porsche**  
**Aktiengesellschaft, Stuttgart (DE)**

(72) Inventor: **Shuichi Yamashita, Gerlingen (DE)**

(73) Assignee: **Dr. Ing. h.c. F. Porsche**  
**Aktiengesellschaft (DE)**

(\*\*) Term: **15 Years**

(21) Appl. No.: **29/646,150**

(22) Filed: **May 2, 2018**

(30) **Foreign Application Priority Data**

Nov. 10, 2017 (DE) ..... 40 2017 101 217

(51) **LOC (12) Cl.** ..... **12-08**

(52) **U.S. Cl.**  
USPC ..... **D12/92**

(58) **Field of Classification Search**  
USPC .... D12/86, 90-92; D21/424, 433, 434, 533;  
296/181.1-181.5, 183.1  
CPC ..... B62D 25/00; B62D 25/06; B62D 33/00;  
B62D 35/00

See application file for complete search history.

(56) **References Cited**

**U.S. PATENT DOCUMENTS**

D320,368 S 10/1991 Dimson  
D327,039 S 6/1992 Dimson  
D411,139 S 6/1999 Lai  
D417,414 S 12/1999 Mobius  
D436,061 S 1/2001 Mobius  
D438,145 S 2/2001 Hatter  
D468,238 S 1/2003 Bhambra  
D497,327 S 10/2004 Lai  
D507,207 S 7/2005 Larson  
D507,510 S 7/2005 Larson

D512,341 S 12/2005 Larson  
D528,056 S 9/2006 Lai  
D547,240 S 7/2007 Kulla  
D547,698 S 7/2007 Kulla  
D549,614 S 8/2007 Kulla  
D560,557 S 1/2008 Kulla  
D589,403 S 3/2009 Saracoglu  
D590,301 S 4/2009 Saracoglu  
D605,560 S 12/2009 Kulla  
D606,456 S 12/2009 Saracoglu  
D606,902 S 12/2009 Saracoglu  
D606,903 S 12/2009 Saracoglu  
D607,779 S 1/2010 Kulla  
D607,780 S 1/2010 Larson  
D610,488 S 2/2010 Kulla

(Continued)

**OTHER PUBLICATIONS**

Design U.S. Appl. No. 29/613,030, by Hauser, filed Aug. 7, 2017.  
(Continued)

*Primary Examiner* — Melody N Brown  
(74) *Attorney, Agent, or Firm* — RatnerPrestia

(57) **CLAIM**

The ornamental design for a motor vehicle, toy and/or replica, as shown and described.

**DESCRIPTION**

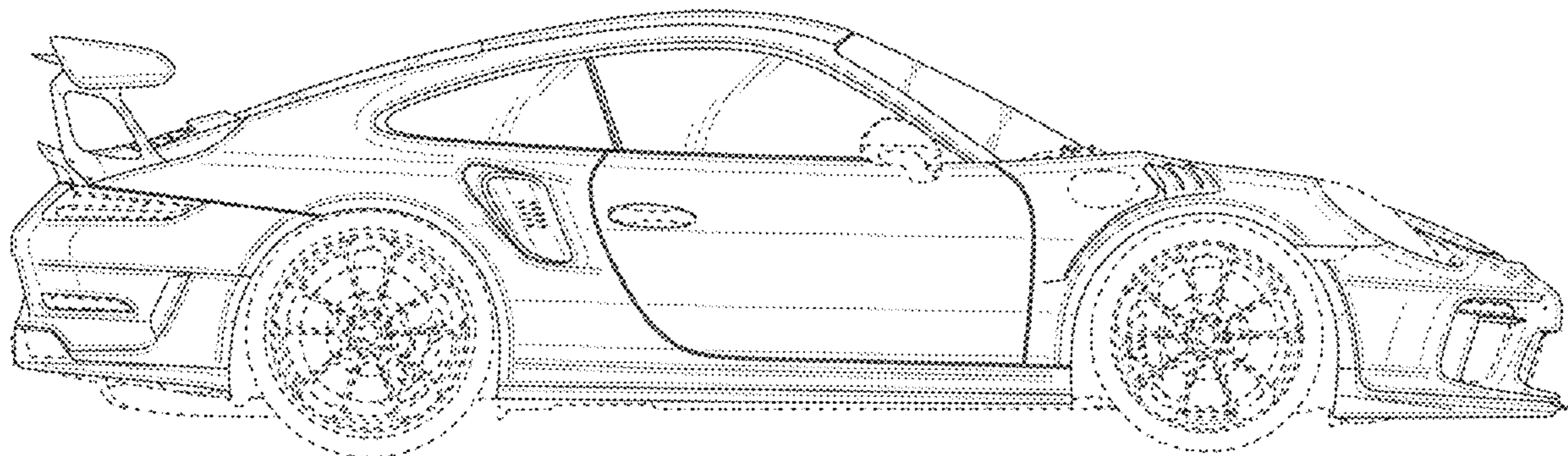
FIG. 1 is a front elevation view of a motor vehicle, toy and/or replica;

FIG. 2 is a rear elevation view thereof;

FIG. 3 is an elevation view thereof taken from the left side, the right side being a substantial mirror image thereof; and, FIG. 4 is a top plan view thereof.

The broken line showing of the motor vehicle, toy and/or replica is for the purpose of illustrating portions of the motor vehicle, toy and/or replica and forms no part of the claimed design,

**1 Claim, 4 Drawing Sheets**



(56)

References Cited

U.S. PATENT DOCUMENTS

D623,557 S 9/2010 Kulla  
D641,665 S 7/2011 Larson  
D663,240 S 7/2012 Scheinhütte  
D669,001 S 10/2012 Varga  
D684,896 S 6/2013 Scheinhütte  
D701,146 S 3/2014 Varga  
D704,099 S 5/2014 Varga  
D705,131 S 5/2014 Larson  
D731,929 S 6/2015 Schramm  
D733,614 S 7/2015 Scheinhütte  
D753,023 S 4/2016 Villevoye et al.  
D774,421 S 12/2016 Larson  
D797,607 S 9/2017 Preuninger et al.  
D805,436 S 12/2017 Yamashita et al.  
D808,862 S 1/2018 Ujhasi  
D823,727 S \* 7/2018 Hauser ..... D12/92  
D824,288 S \* 7/2018 Hauser ..... D12/92  
D826,784 S \* 8/2018 Hauser ..... D12/92

D833,331 S \* 11/2018 Yamashita ..... D12/92  
D839,786 S \* 2/2019 Baum ..... D12/92  
D842,759 S \* 3/2019 Baum ..... D12/92

OTHER PUBLICATIONS

Design U.S. Appl. No. 29/613,031, by Hauser, filed Aug. 7, 2017.  
Design U.S. Appl. No. 29/613,033, by Hauser, filed Aug. 7, 2017.  
Design U.S. Appl. No. 29/613,578, by Chung et al., filed Aug. 11, 2017.  
Design U.S. Appl. No. 29/615,227, by Baum et al., filed Aug. 28, 2017.  
Design U.S. Appl. No. 29/615,609, by Baum et al., filed Aug. 30, 2017.  
Design U.S. Appl. No. 29/615,611, by Baum et al., filed Aug. 30, 2017.  
Design U.S. Appl. No. 29/615,614, by Baum et al., filed Aug. 30, 2017.  
Design U.S. Appl. No. 29/638,352, by Yamashita, filed Feb. 27, 2018.  
Design U.S. Appl. No. 29/645,860, by Schmölz, filed Apr. 30, 2018.

\* cited by examiner

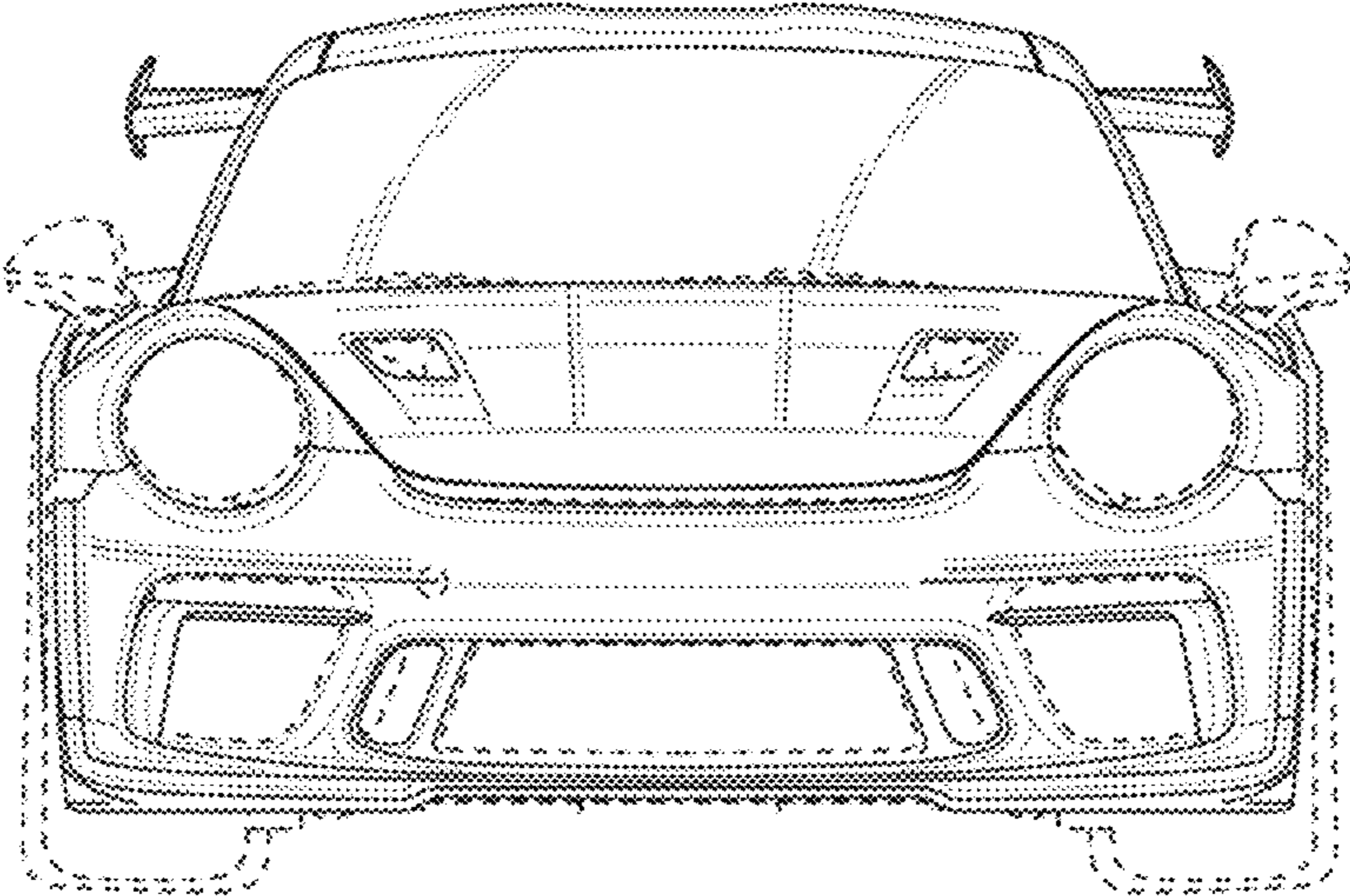


FIG. 1



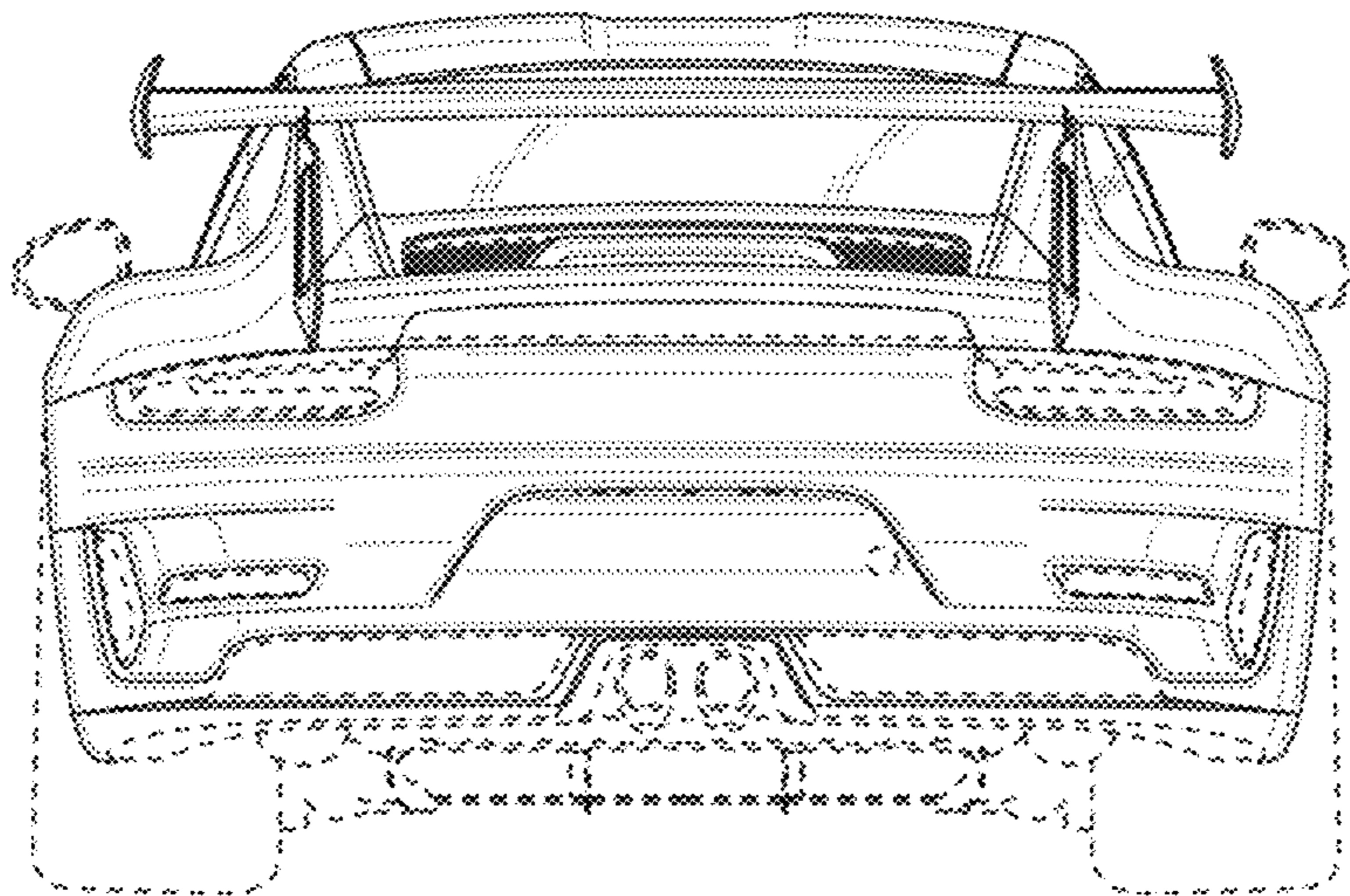


FIG. 2

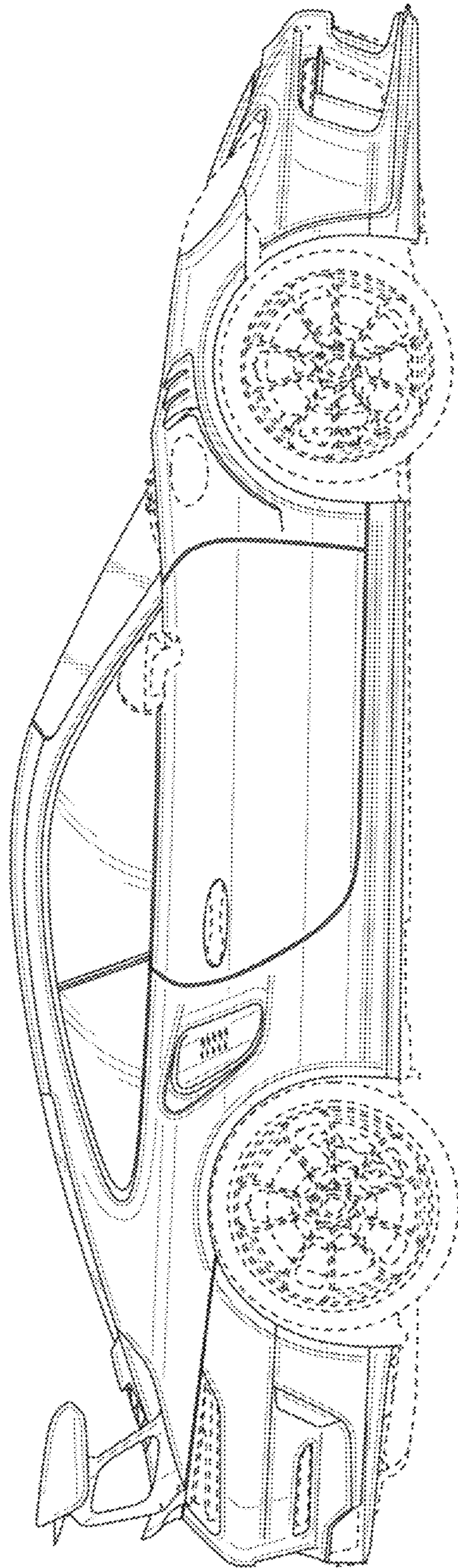


FIG. 3



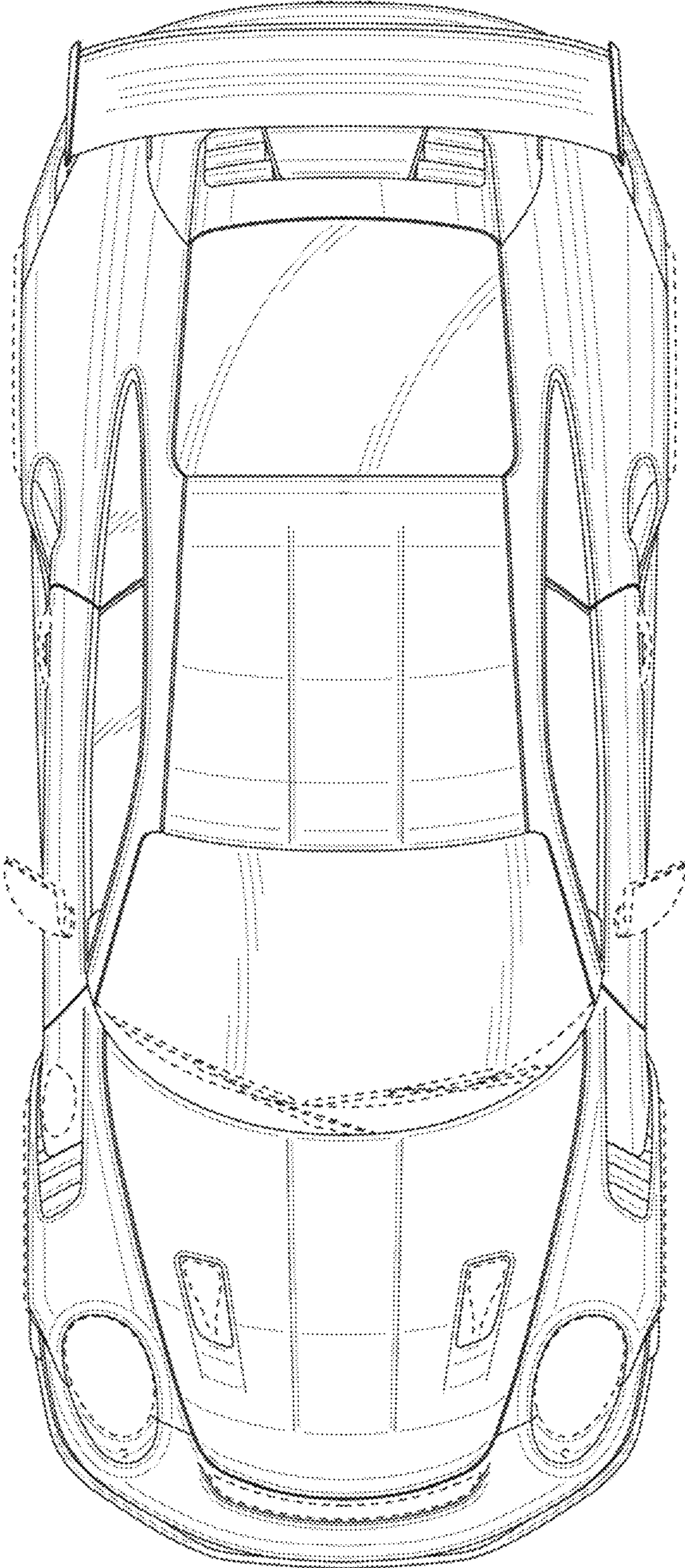


FIG. 4