



US00D870593S

(12) **United States Design Patent** (10) **Patent No.:** **US D870,593 S**
Keeble et al. (45) **Date of Patent:** **** Dec. 24, 2019**

(54) **PLANTING POT**
(71) Applicant: **THE HC COMPANIES, INC.**,
Twinsburg, OH (US)
(72) Inventors: **Drew Keeble**, Twinsburg, OH (US);
Doug Pettigrew, Wilsonville (CA)
(73) Assignee: **THE HC COMPANIES, INC.**,
Twinsburg, OH (US)
(**) Term: **15 Years**
(21) Appl. No.: **29/656,010**
(22) Filed: **Jul. 10, 2018**
(51) **LOC (12) Cl.** **11-02**
(52) **U.S. Cl.**
USPC **D11/155**
(58) **Field of Classification Search**
USPC D11/144, 146, 145, 148, 149, 151, 152,
D11/153, 154, 155, 156, 164; D6/405,
D6/558; D8/1; D3/303
CPC A01G 31/02; A01G 9/12; Y02P 60/216
See application file for complete search history.

D772,516 S * 11/2016 Burt D11/144
D820,151 S * 6/2018 Itzhak-Sigron D11/155
D830,893 S * 10/2018 Thuma D11/155
2010/0252557 A1* 10/2010 Clements B65F 1/06
220/495.06
2018/0242533 A1* 8/2018 Quinlan A01G 9/021

OTHER PUBLICATIONS

The HC Companies website, 4.50 Square Quick Lock Pot w/Wave Lock, Publication date unknown, [site visited Jun. 22, 2019], Available on the Internet URL <https://hc-companies.com/product/square-quick-lock-pot-w-tagslot/> (Year: 2019).*

* cited by examiner

Primary Examiner — Karen S Acker
Assistant Examiner — Steven B Reinholdt, Jr.
(74) *Attorney, Agent, or Firm* — Tucker Ellis LLP

(56) **References Cited**

U.S. PATENT DOCUMENTS

1,627,282 A * 5/1927 Gran B65F 1/02
220/4.33
D473,463 S * 4/2003 Armstrong D9/431
D480,326 S * 10/2003 Carlson D11/155
D539,998 S * 4/2007 Andrade D34/1
D552,319 S * 10/2007 Gusdorf D11/143
D625,067 S * 10/2010 Shannon D34/1
D653,162 S * 1/2012 Moore D11/155
D726,071 S * 4/2015 Aoyama D11/155
D735,602 S * 8/2015 Anderson D11/155
D750,997 S * 3/2016 Pettigrew D11/155
D763,105 S * 8/2016 Forowycz D9/759

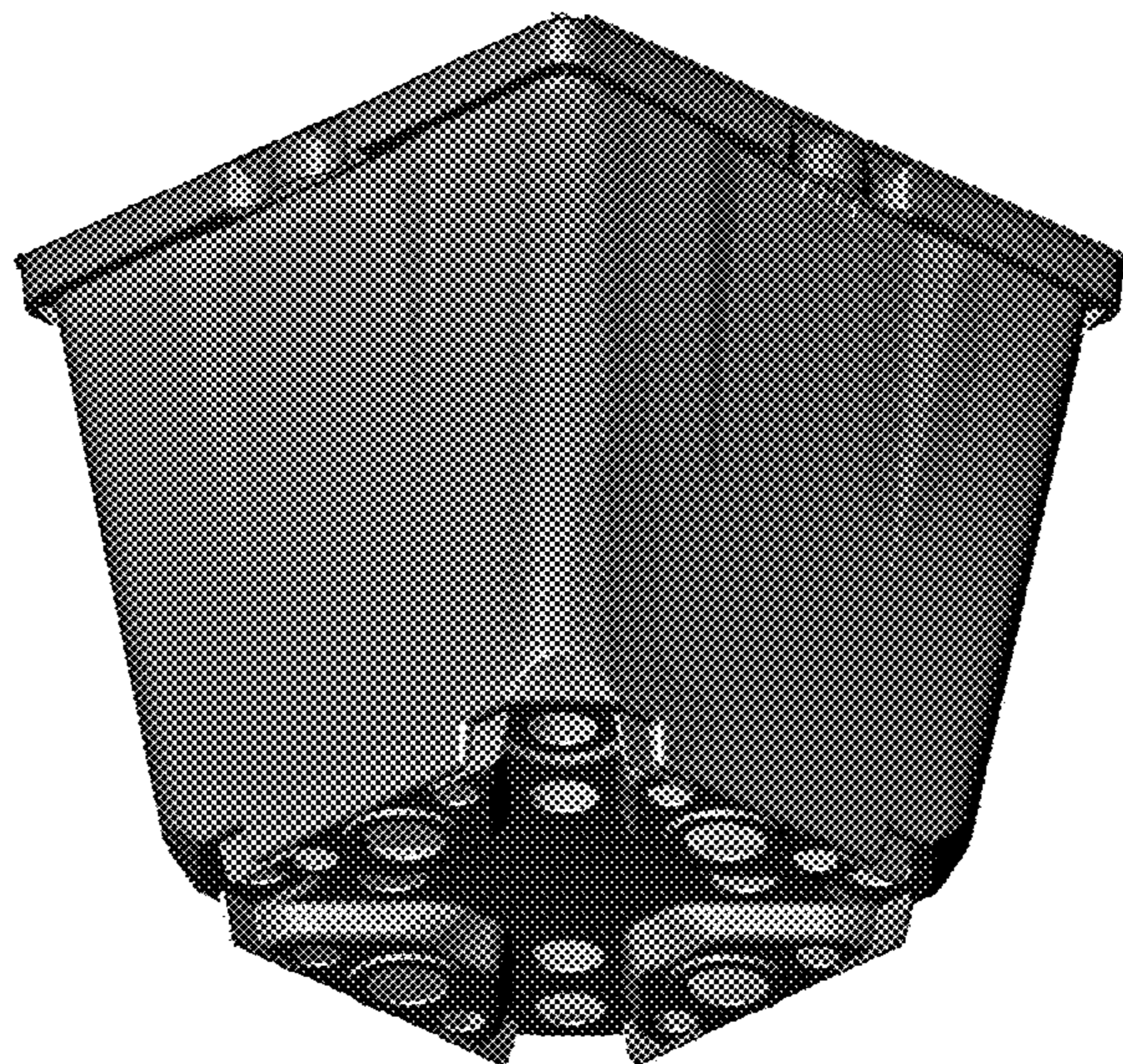
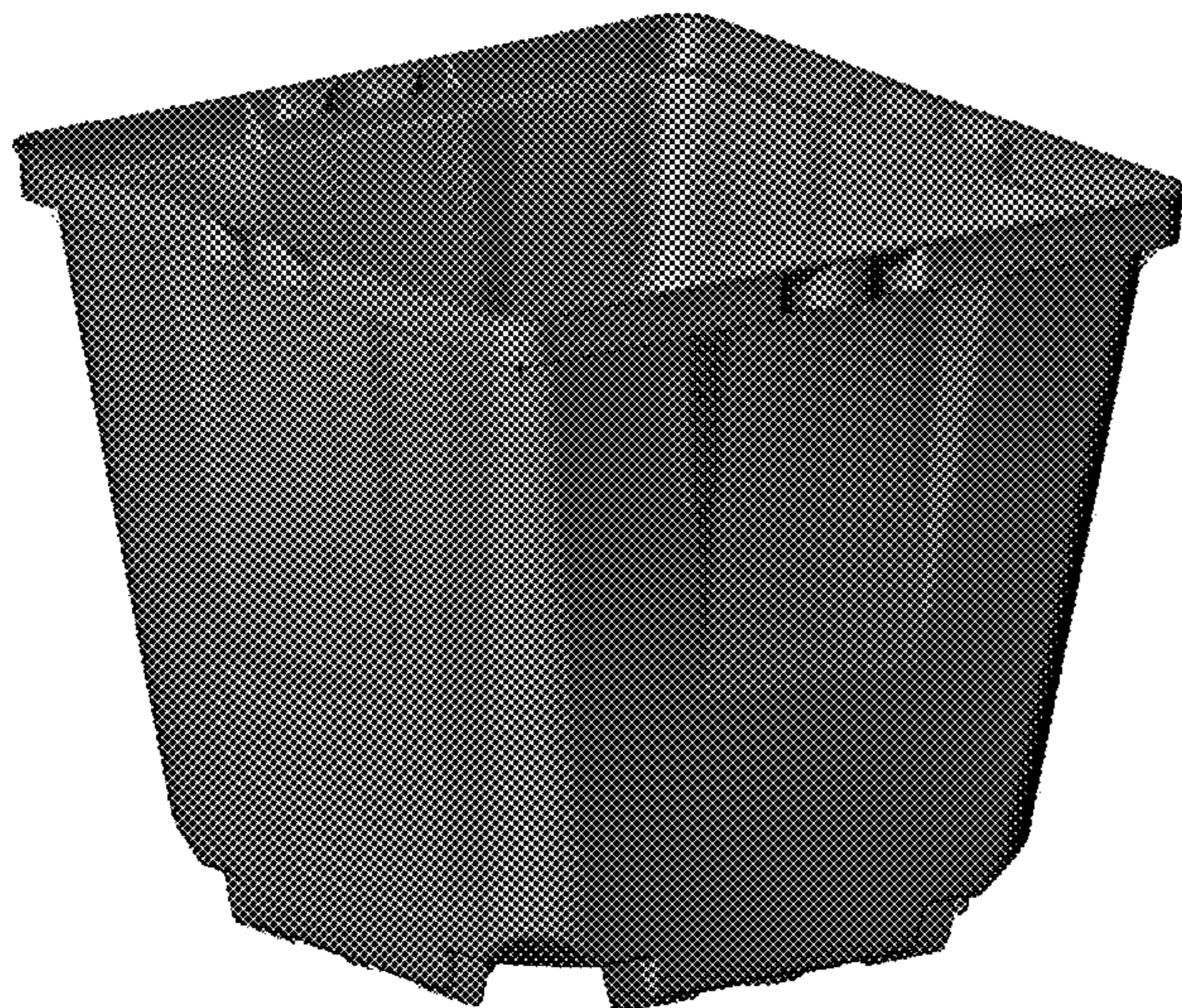
(57) **CLAIM**

The ornamental design for a planting pot, as shown and described.

DESCRIPTION

FIG. 1 is a front-left-top perspective view of a planting pot showing our new design.
FIG. 2 is another front-left-top perspective view thereof.
FIG. 3 is a front-left-bottom perspective view thereof.
FIG. 4 is a front view thereof.
FIG. 5 is a rear view thereof.
FIG. 6 is a left side view thereof.
FIG. 7 is right side view thereof.
FIG. 8 is a top view thereof; and,
FIG. 9 is a bottom view thereof.

1 Claim, 9 Drawing Sheets



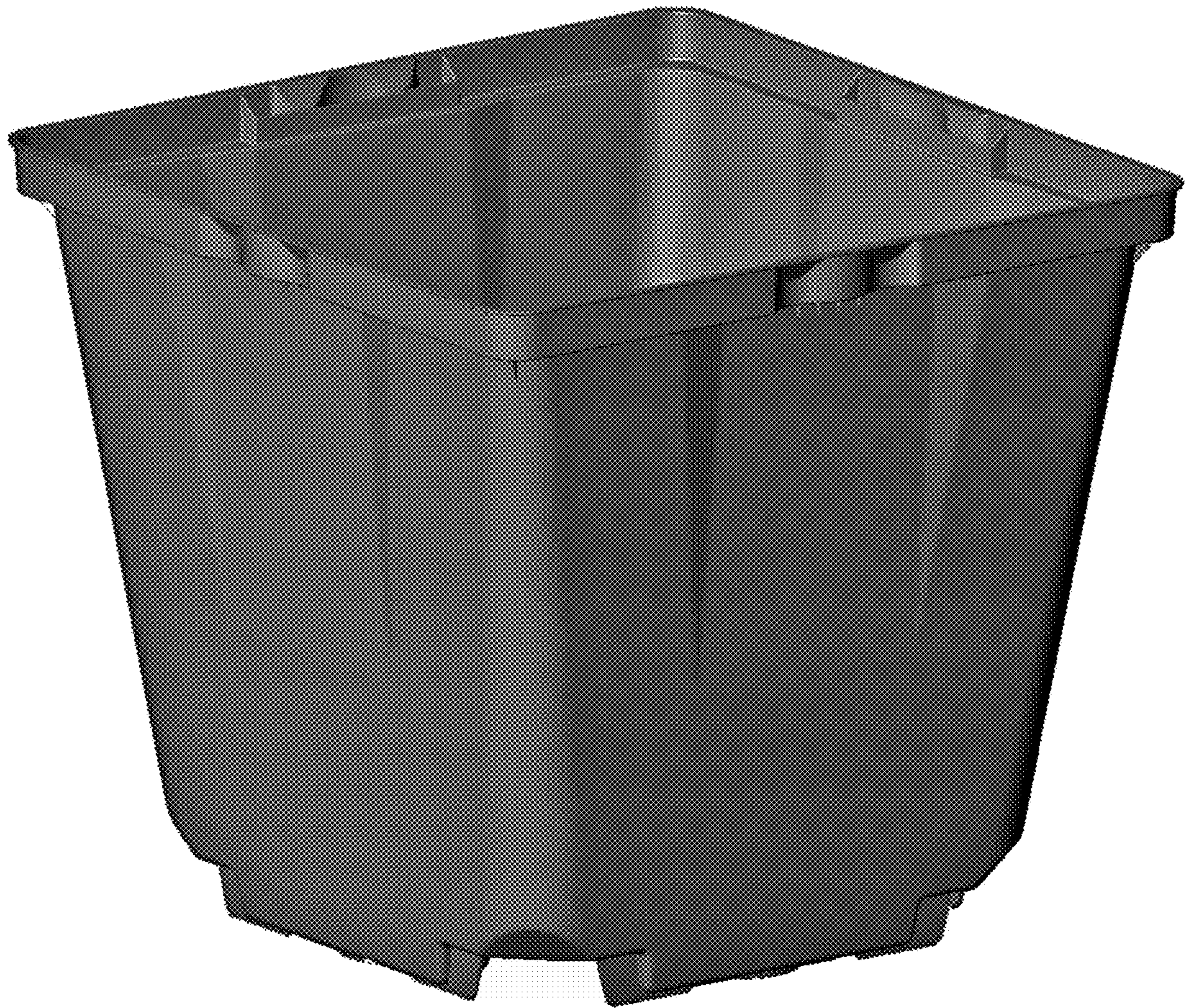


FIG. 1

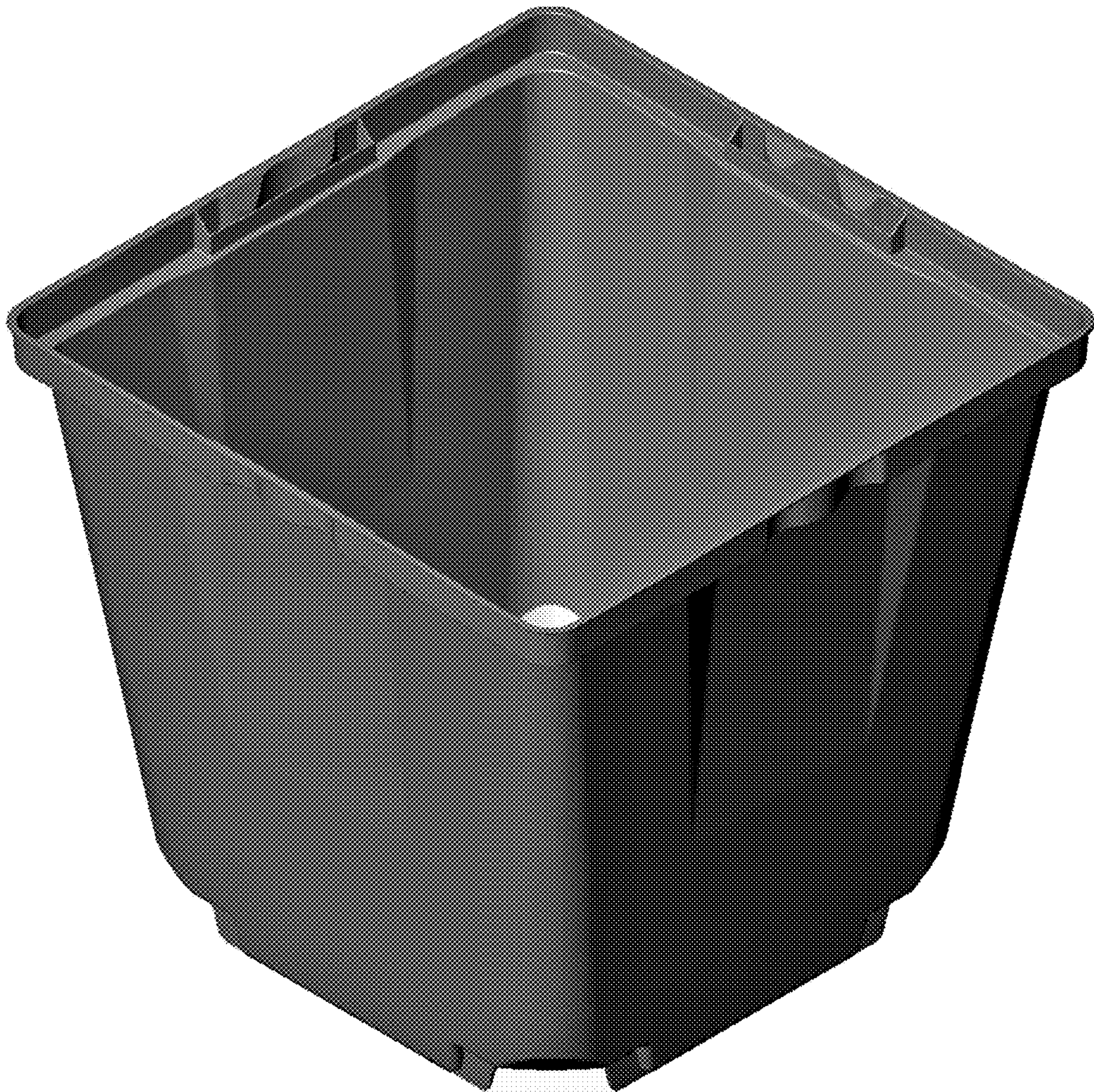


FIG. 2

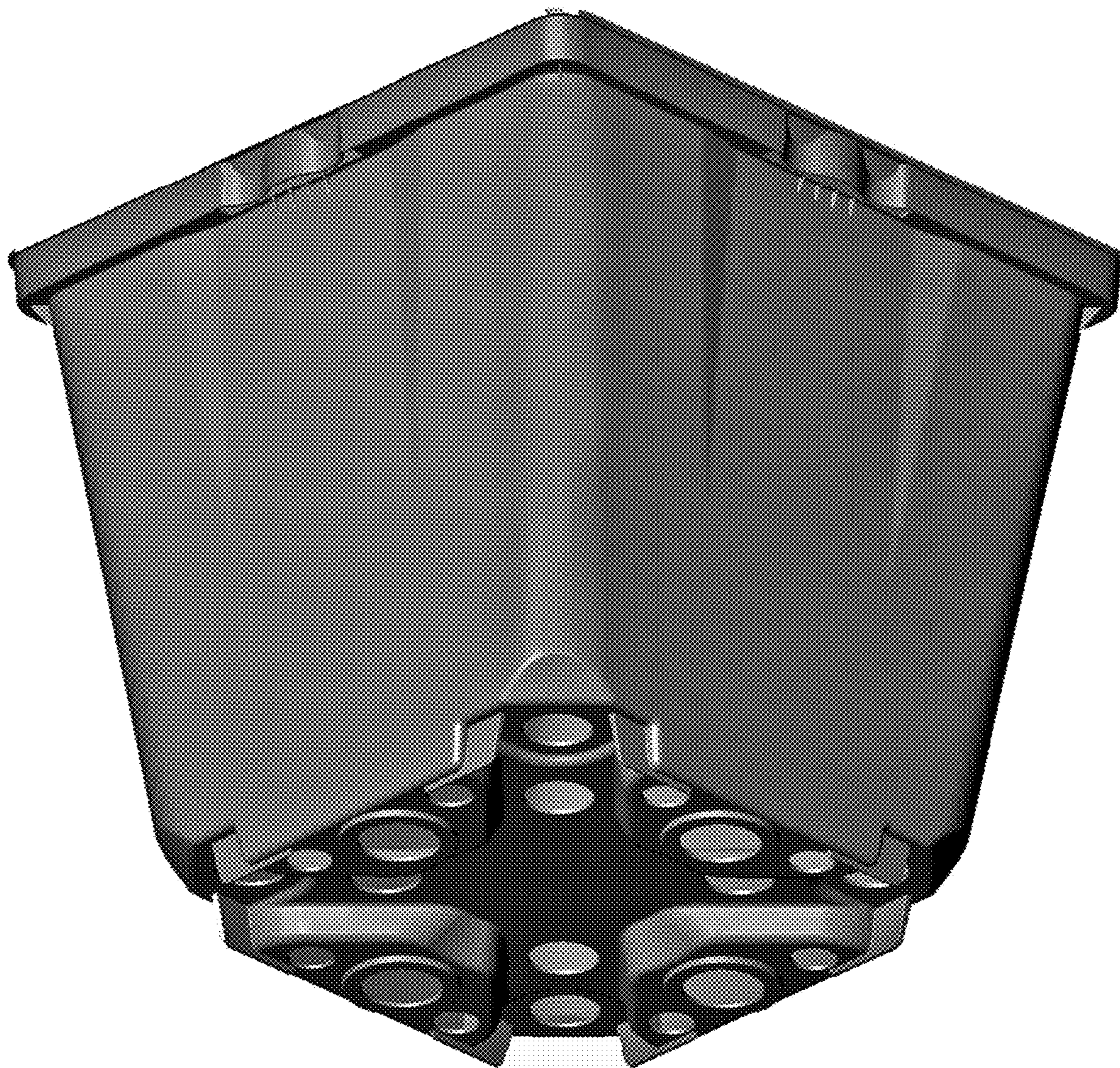


FIG. 3

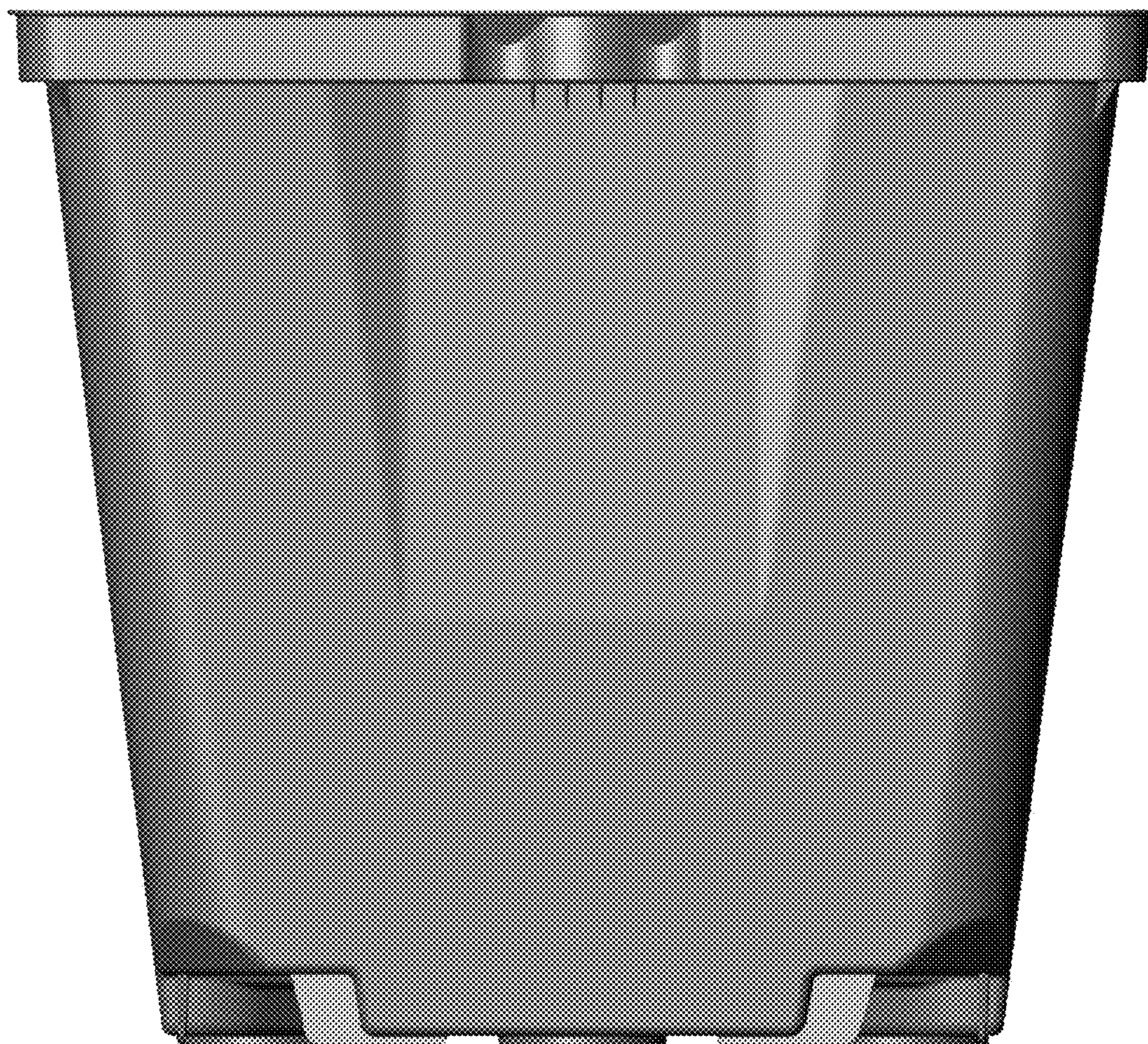


FIG. 4

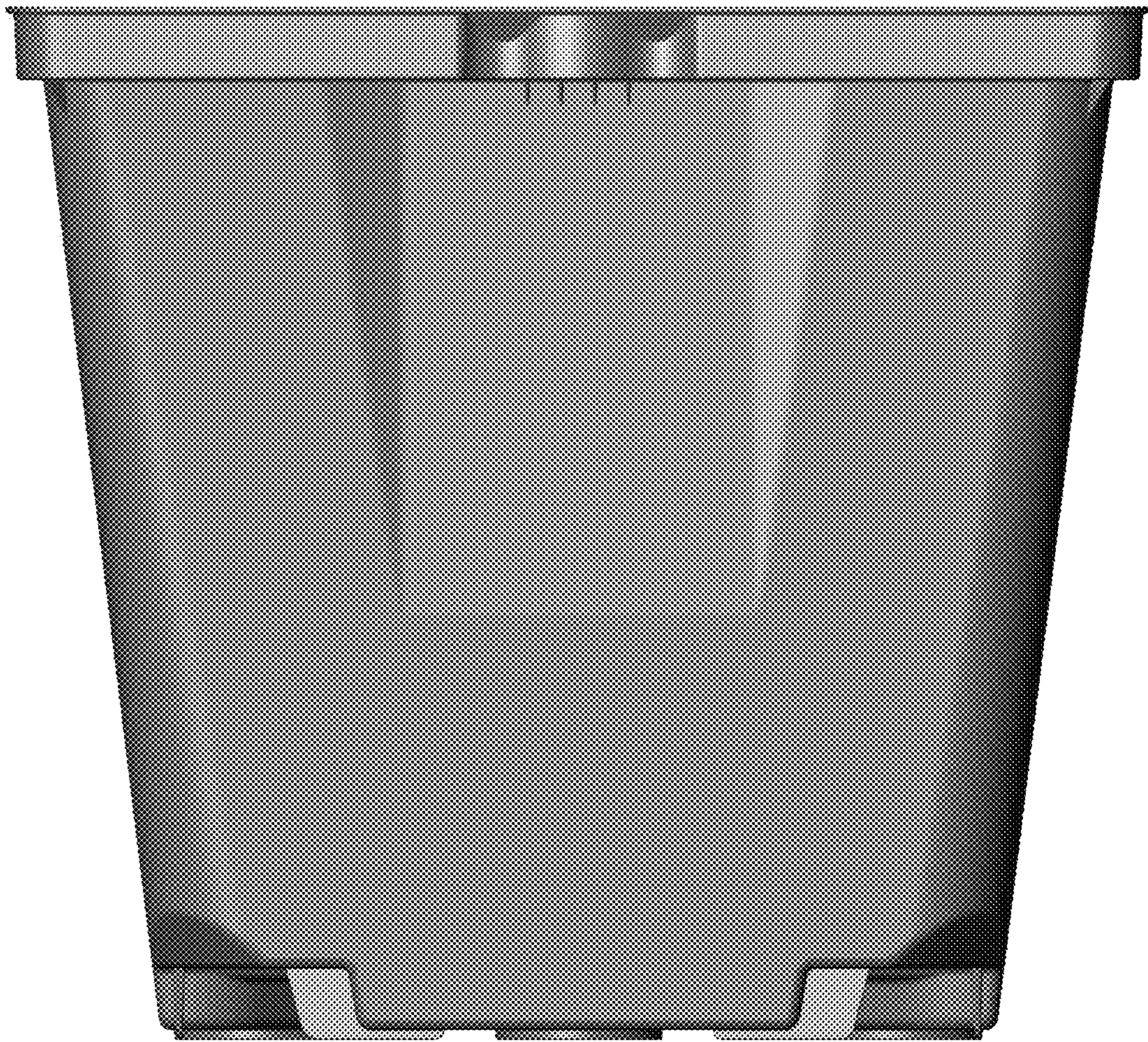


FIG. 5

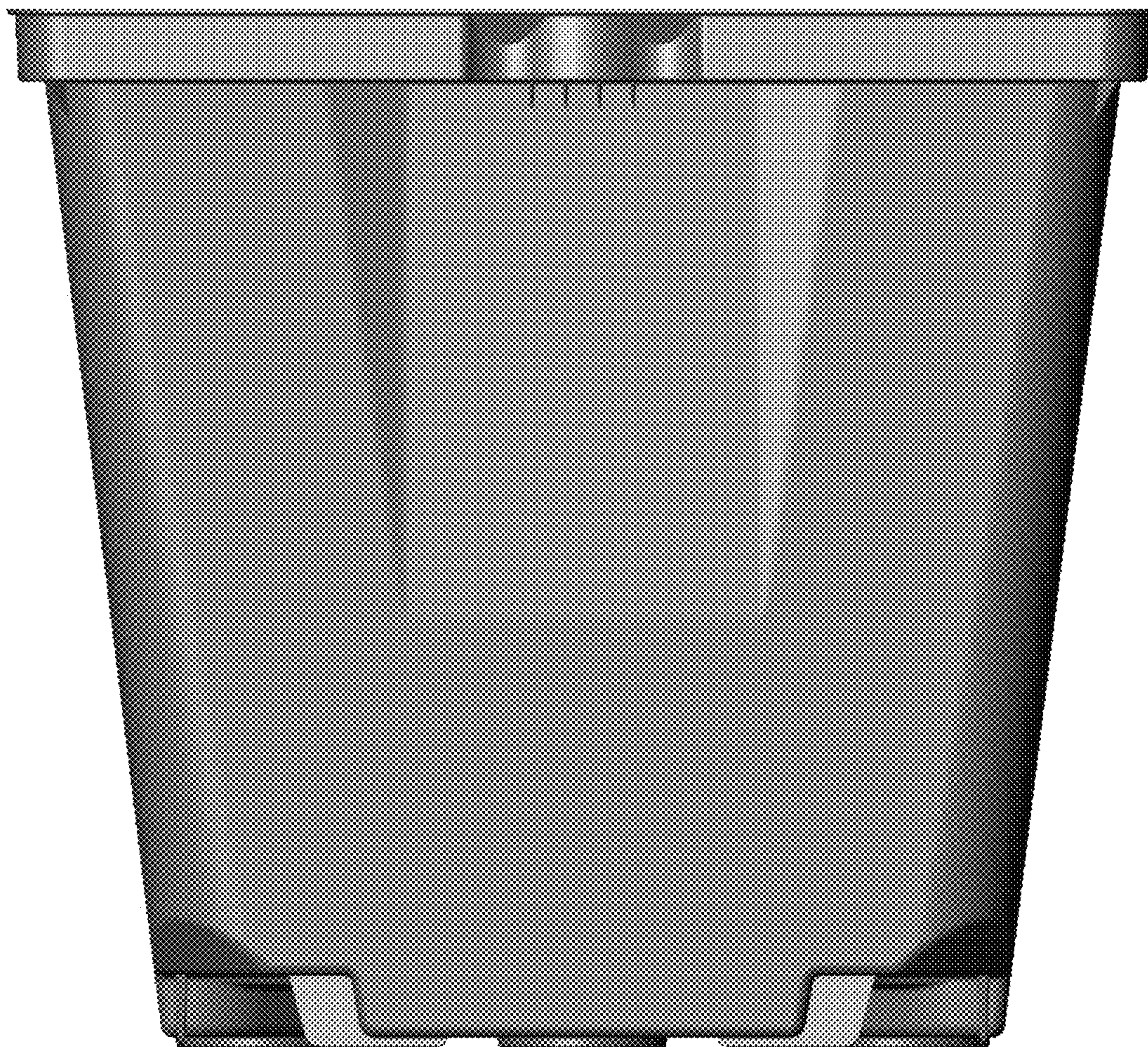


FIG. 6

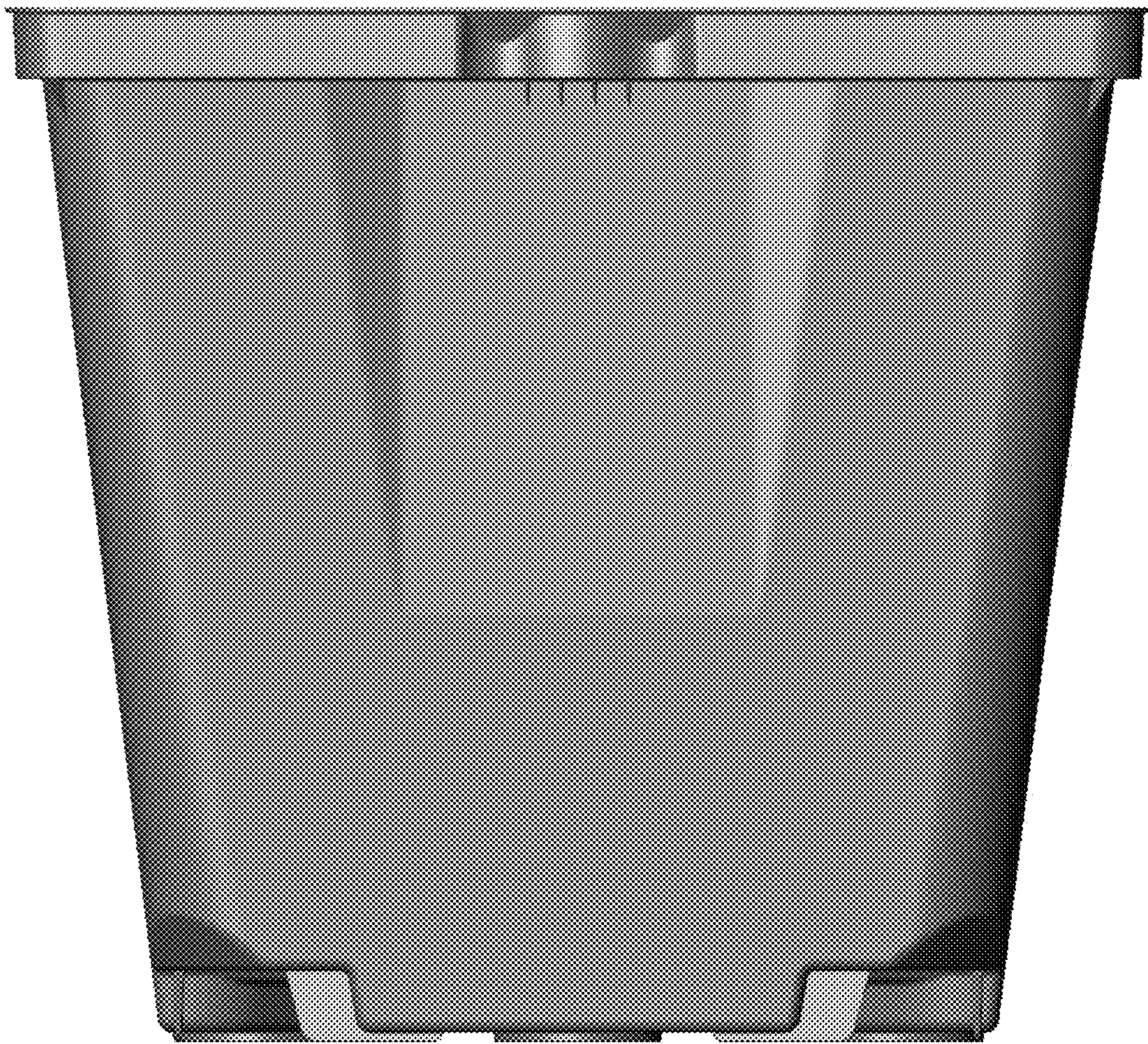


FIG. 7

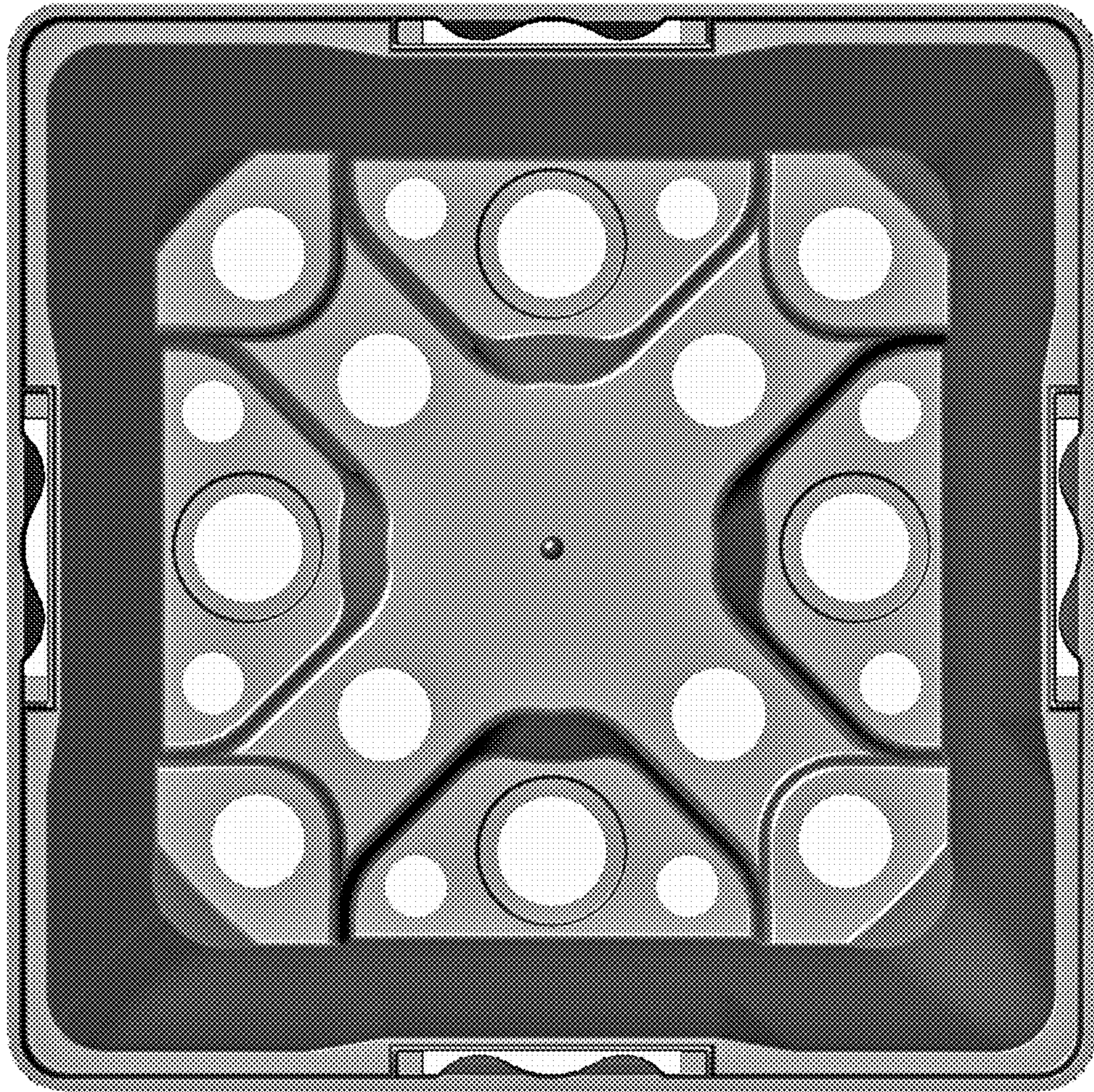


FIG. 8

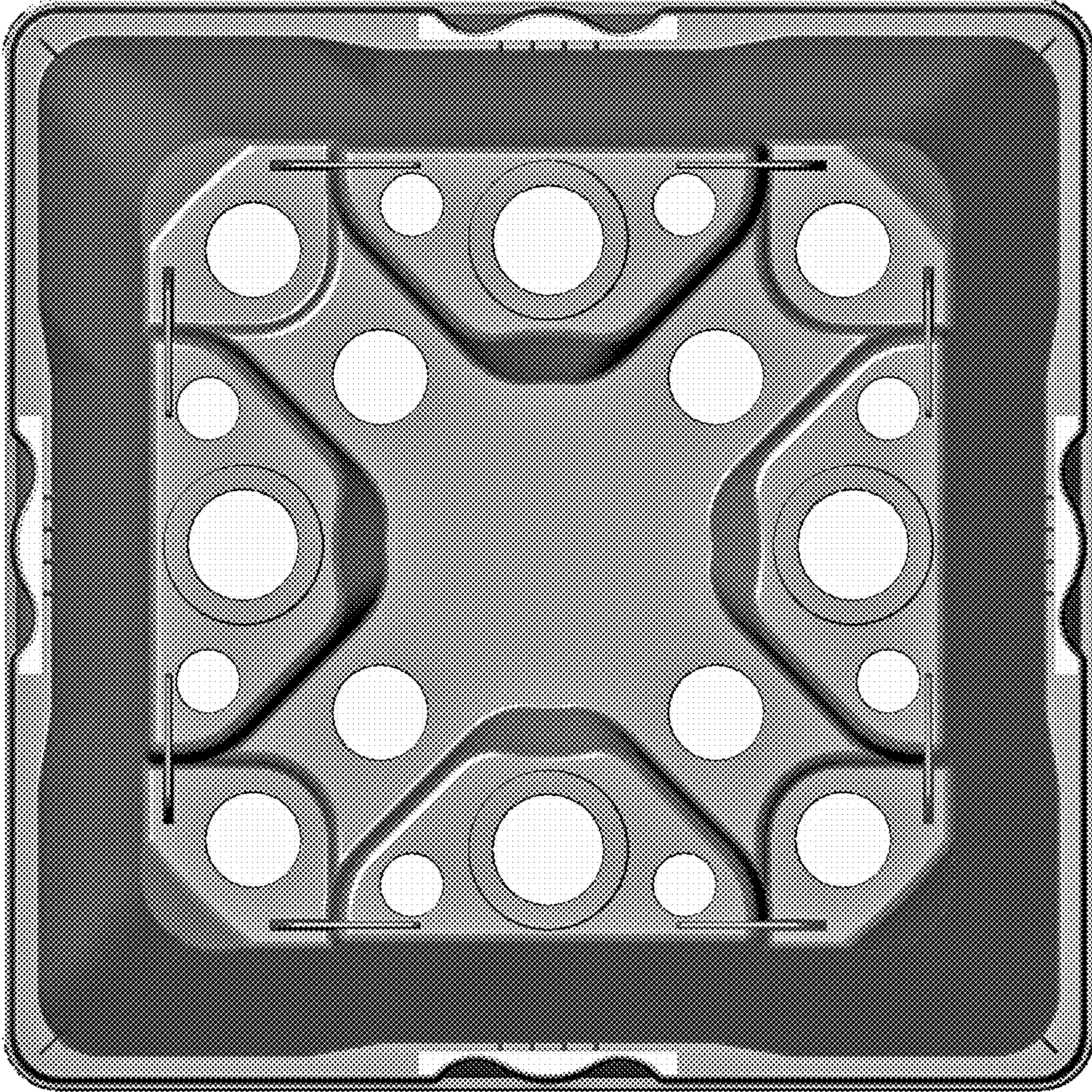


FIG. 9