



US00D870592S

(12) **United States Design Patent** (10) **Patent No.:** **US D870,592 S**
Addison (45) **Date of Patent:** **** Dec. 24, 2019**

(54) **COMBINATION VERTICAL PLANT HOLDER AND GROWING STAND**

(71) Applicant: **Darral Addison**, Lansdale, PA (US)

(72) Inventor: **Darral Addison**, Lansdale, PA (US)

(**) Term: **15 Years**

(21) Appl. No.: **29/611,619**

(22) Filed: **Jul. 24, 2017**

(51) **LOC (12) Cl.** **11-02**

(52) **U.S. Cl.**
USPC **D11/147**

(58) **Field of Classification Search**
USPC D11/143, 144, 146, 147, 152; D6/405; D8/1
CPC A47G 7/07; A01G 5/04
See application file for complete search history.

(56) **References Cited**

U.S. PATENT DOCUMENTS

649,874	A *	5/1900	Payne	A47G 7/07 211/60.1
1,993,631	A *	3/1935	Smith	A01G 9/022 47/83
D247,165	S *	2/1978	Hart	47/59 R
D247,356	S *	2/1978	Wright	D11/144
D251,718	S *	5/1979	Hart	D11/144
D262,274	S *	12/1981	Lahr	47/82
D325,654	S *	4/1992	Schuetz	D30/128
5,276,997	A *	1/1994	Swearegin	A01G 9/022 47/48.5
D352,135	S *	11/1994	Jones, Sr.	D30/121
5,555,676	A *	9/1996	Lund	A01G 9/022 47/82
D396,201	S *	7/1998	Lashlee	D11/143
6,170,144	B1 *	1/2001	Phillipson	A01G 9/021 29/453

D482,212	S *	11/2003	Nakaoka	D6/405
D511,995	S *	11/2005	Pettis, III	D11/131.1
7,516,574	B2 *	4/2009	Gottlieb	A01G 9/023 47/62 R
D598,322	S *	8/2009	Kunz	D11/147
D697,381	S *	1/2014	Ghafoorzai	D8/1
D790,778	S *	6/2017	Green	D30/124
D809,965	S *	2/2018	Linneberg	D11/152
2010/0132255	A1 *	6/2010	Webber	A01G 27/04 47/29.1
2016/0120141	A1 *	5/2016	Stolzfus	A01G 31/06 47/62 A
2018/0263201	A1 *	9/2018	Linneberg	A01G 31/02

* cited by examiner

Primary Examiner — Karen S Acker

Assistant Examiner — Steven B Reinholdt, Jr.

(74) *Attorney, Agent, or Firm* — Mitchell Law PLLC; Matthew W. Mitchell

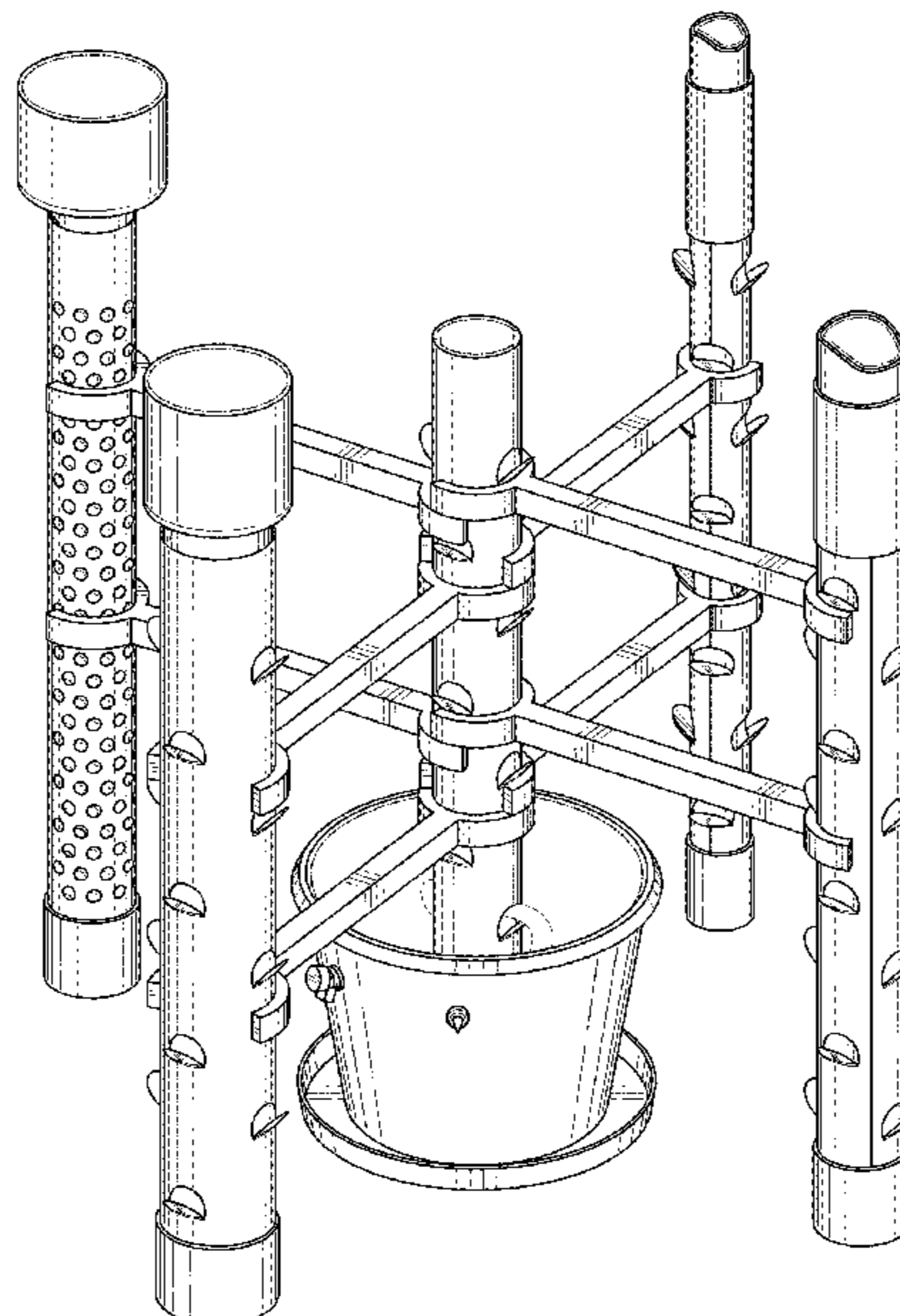
(57) **CLAIM**

The ornamental design for a combination vertical plant holder and growing stand, as shown and described.

DESCRIPTION

FIG. 1 is an isometric view showing my new design;
 FIG. 2 is a second isometric view;
 FIG. 3 is a front view;
 FIG. 4 is a rear view;
 FIG. 5 is a side view, as seen from the left side of FIG. 3;
 FIG. 6 is a side view, as seen from the right side of FIG. 3;
 and,
 FIG. 7 is a top plan view of the combination vertical plant holder and growing stand of FIG. 1.
 The dot-dash broken lines depict boundaries to the claim and form no part thereof. The evenly spaced broken lines depict portions of the combination vertical plant holder and growing stand that form no part of the claimed design.

1 Claim, 7 Drawing Sheets



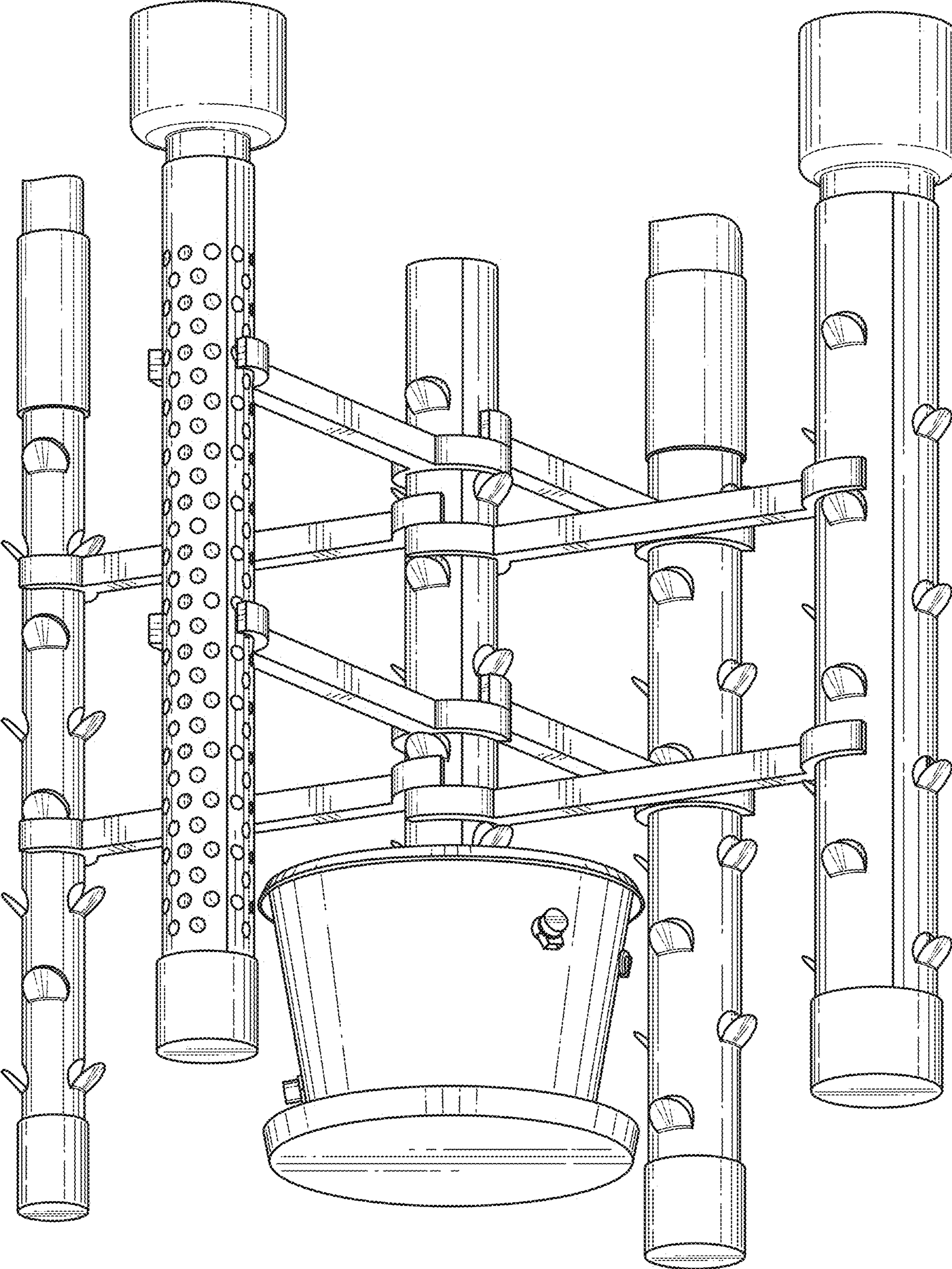


FIG. 1

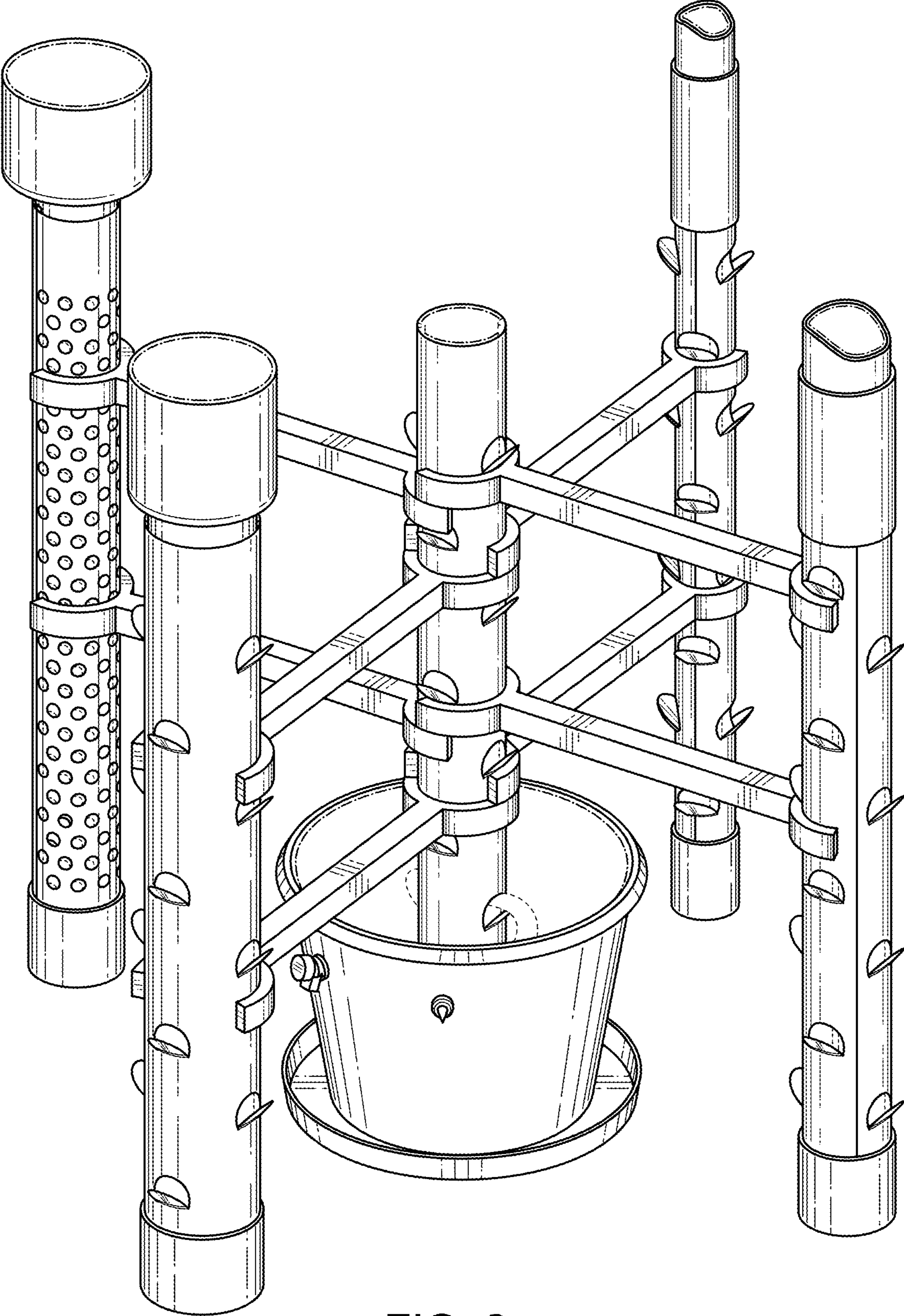


FIG. 2

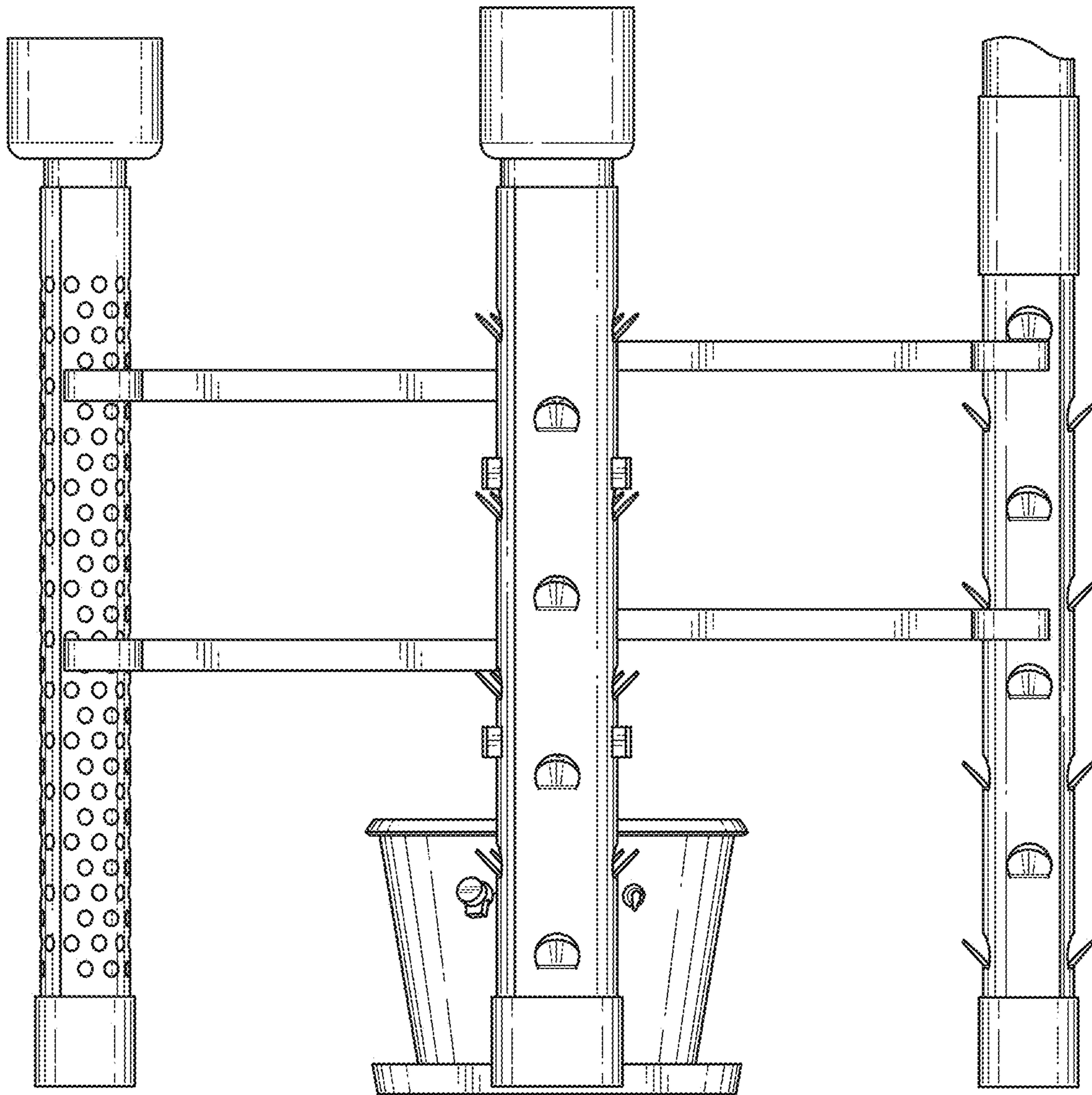


FIG. 3

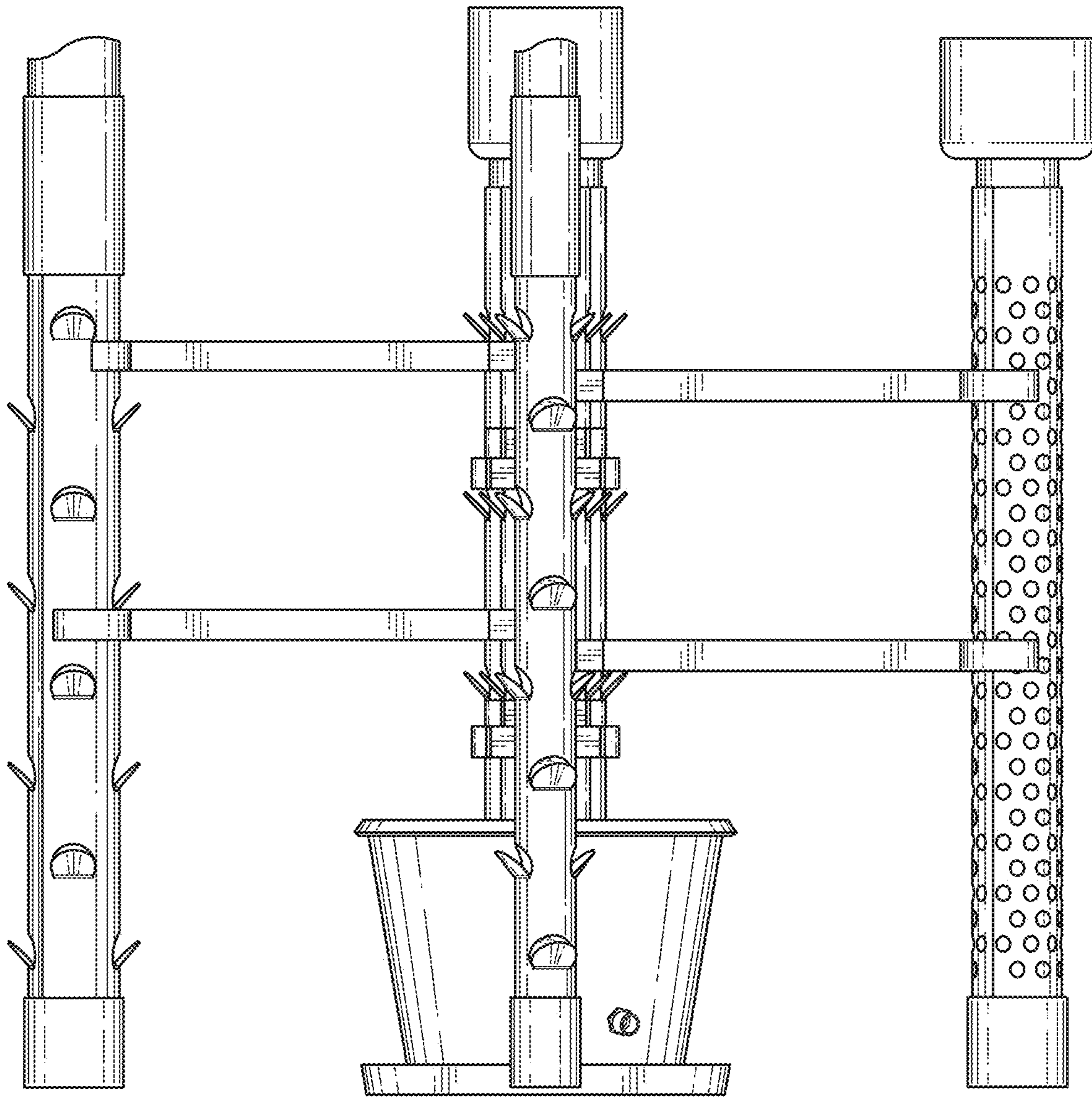


FIG. 4

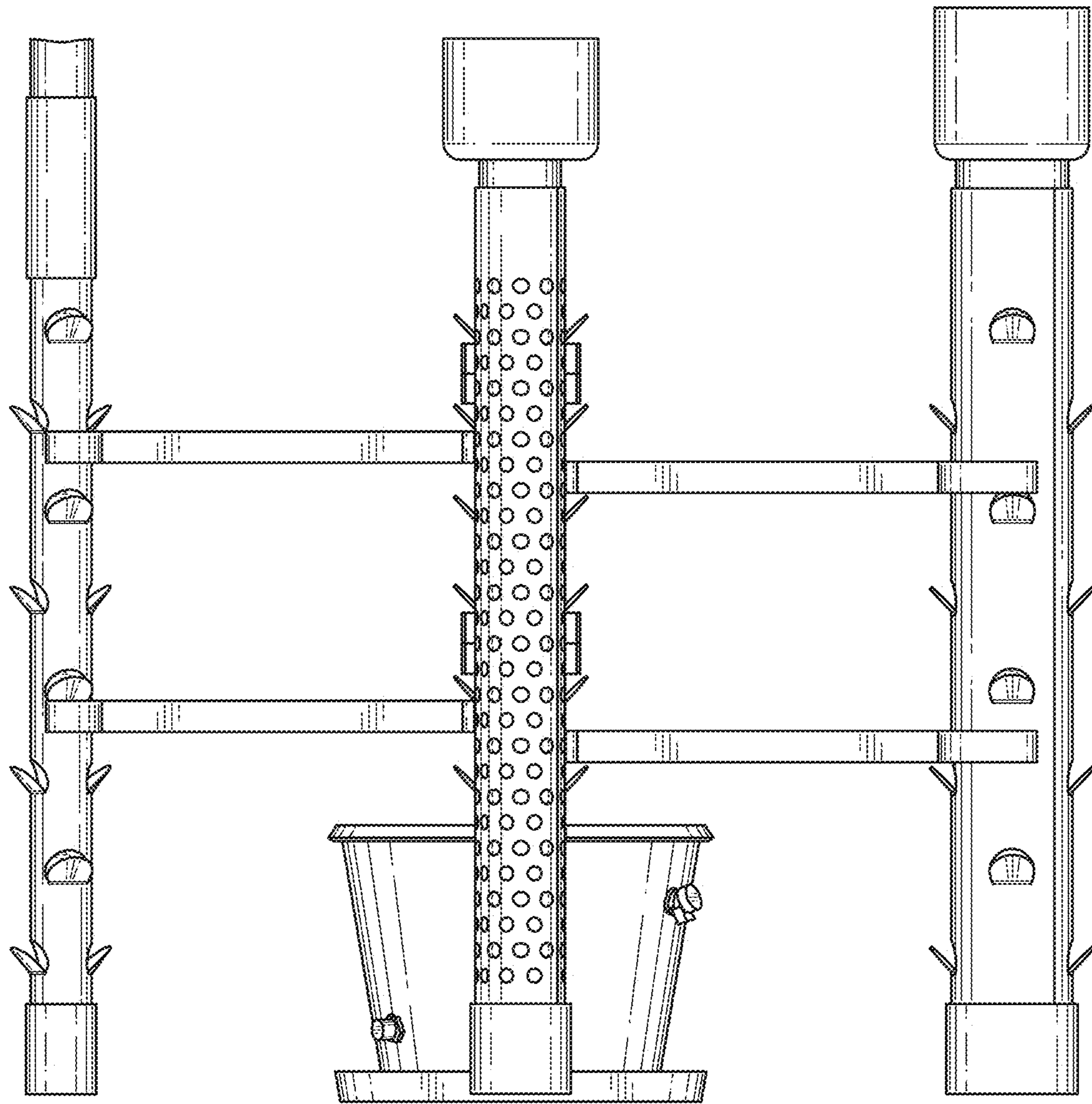


FIG. 5

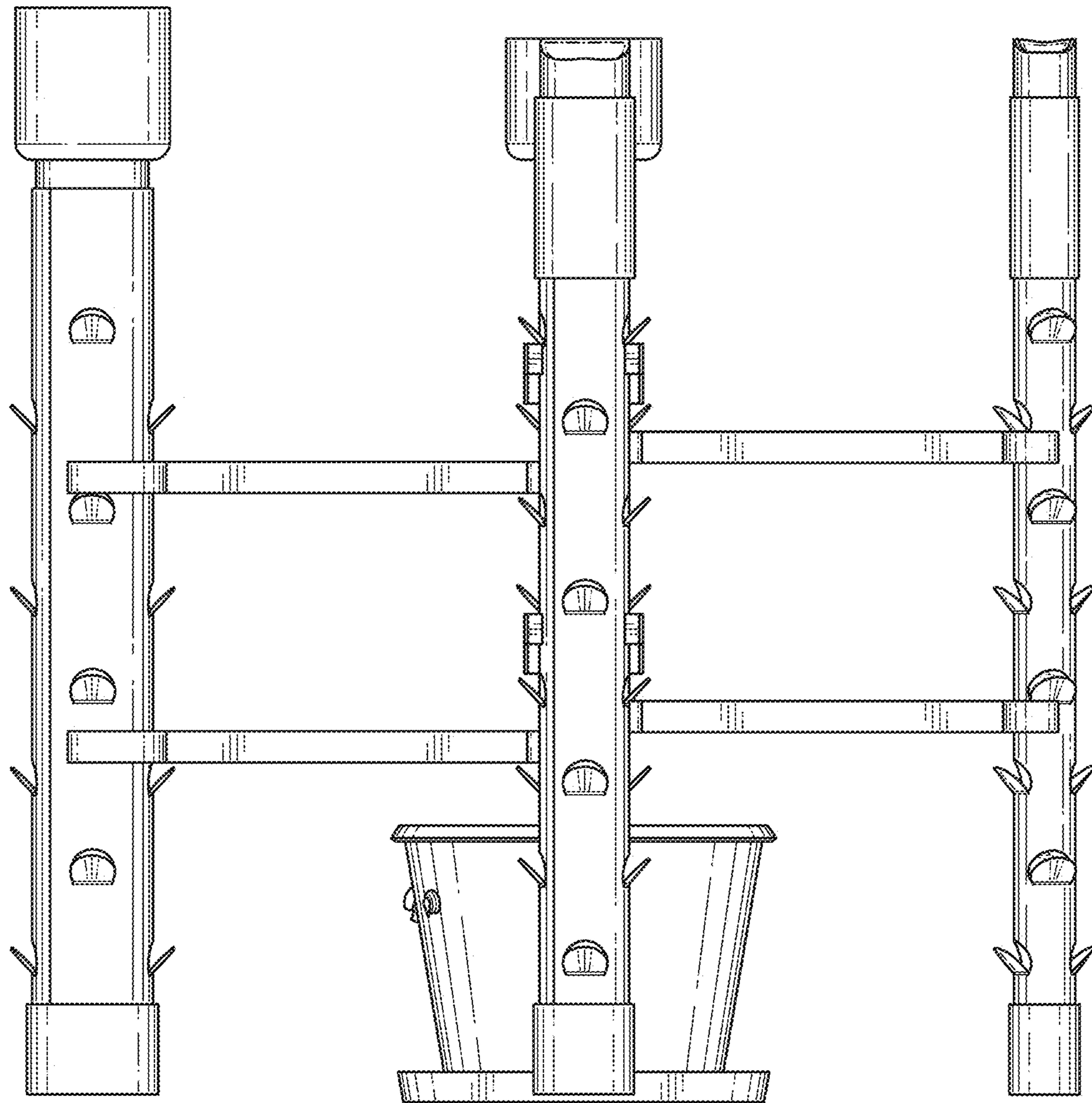


FIG. 6

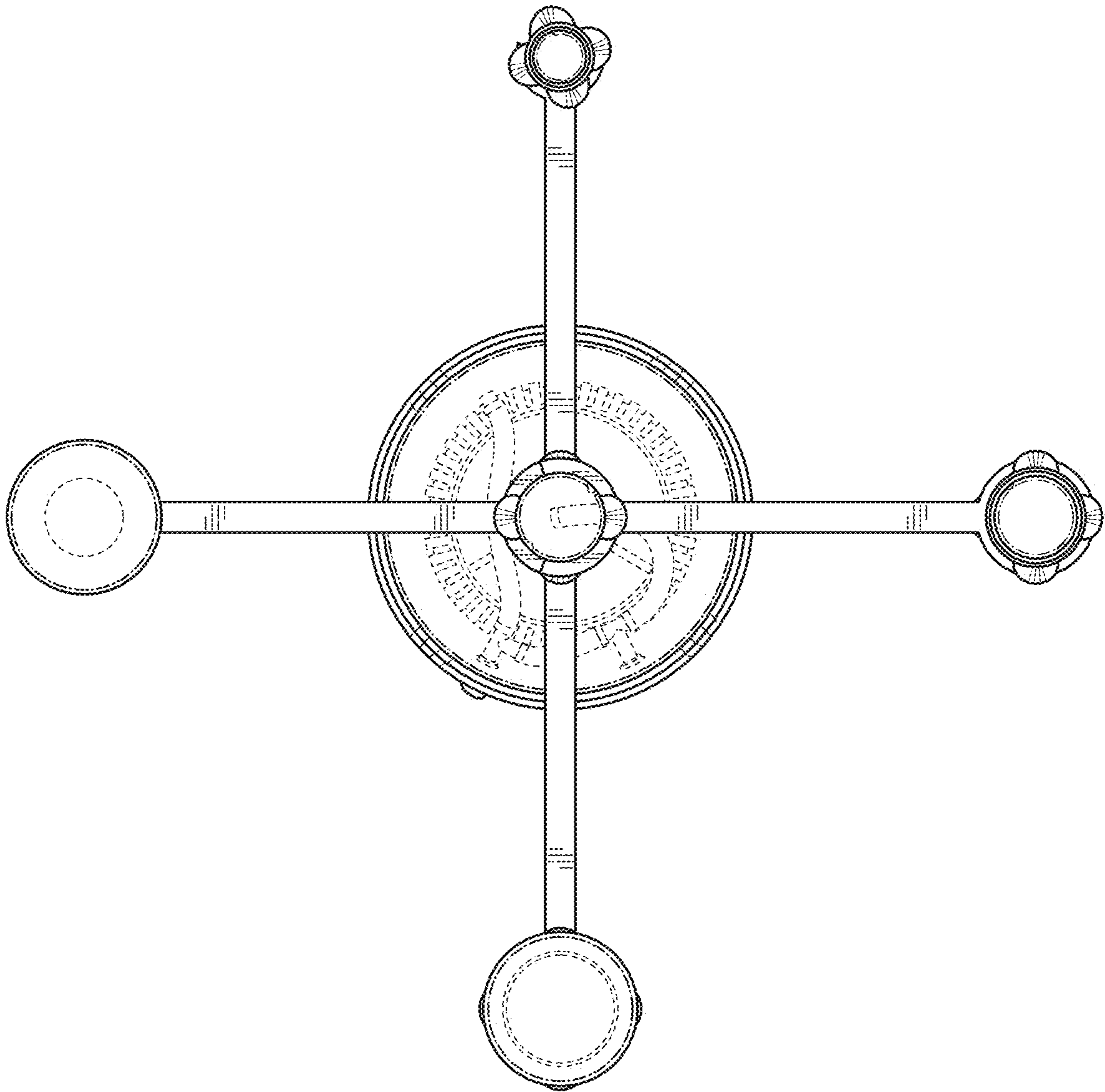


FIG. 7