



US00D870587S

(12) **United States Design Patent** (10) **Patent No.:** **US D870,587 S**  
**Siminoff et al.** (45) **Date of Patent:** **\*\* Dec. 24, 2019**

(54) **DOORBELL**

(71) Applicant: **Amazon Technologies, Inc.**, Seattle, WA (US)

(72) Inventors: **Mark Siminoff**, Mountain View, CA (US); **Matthew J. England**, Santa Monica, CA (US); **Christopher Loew**, Santa Monica, CA (US)

(73) Assignee: **Amazon Technologies, Inc.**, Seattle, WA (US)

(\*\*) Term: **15 Years**

(21) Appl. No.: **29/680,235**

(22) Filed: **Feb. 14, 2019**

**Related U.S. Application Data**

(63) Continuation of application No. 29/643,817, filed on Apr. 12, 2018, now Pat. No. Des. 848,300.

(51) **LOC (12) Cl.** ..... **10-05**

(52) **U.S. Cl.**  
USPC ..... **D10/118.2**

(58) **Field of Classification Search**  
USPC ..... D10/118.2, 118  
CPC ..... G08B 13/19671; H04N 5/2257  
See application file for complete search history.

(56) **References Cited**

**U.S. PATENT DOCUMENTS**

D574,742 S *	8/2008	Spencer	.....	D10/118
D789,820 S	6/2017	Siminoff et al.		
D817,207 S	5/2018	Scalisi		
D820,706 S	6/2018	Siminoff et al.		
D820,707 S	6/2018	Siminoff et al.		
D822,520 S	7/2018	Siminoff et al.		
D828,201 S	9/2018	Jeong		
D829,585 S	10/2018	Siminoff et al.		

D848,299 S *	5/2019	Li	.....	D10/118.2
2016/0330403 A1 *	11/2016	Siminoff	.....	H04N 5/2257
2017/0289450 A1 *	10/2017	Lemberger	.....	G08B 13/19671

**FOREIGN PATENT DOCUMENTS**

EM	005795788-0001	10/2019
TW	265988	12/1995

**OTHER PUBLICATIONS**

Japanese Office Action dated Feb. 15, 2019 for Japanese Patent Application No. 2018-022371, a counterpart of U.S. Appl. No. 29/643,817, 4 pages.

Japanese Office Action dated Feb. 15, 2019 for Japanese Patent Application No. 2018-022370, a counterpart of U.S. Appl. No. 29/643,817, 4 pages.

(Continued)

*Primary Examiner* — George D. Kirschbaum

(74) *Attorney, Agent, or Firm* — Lee & Hayes, P.C.

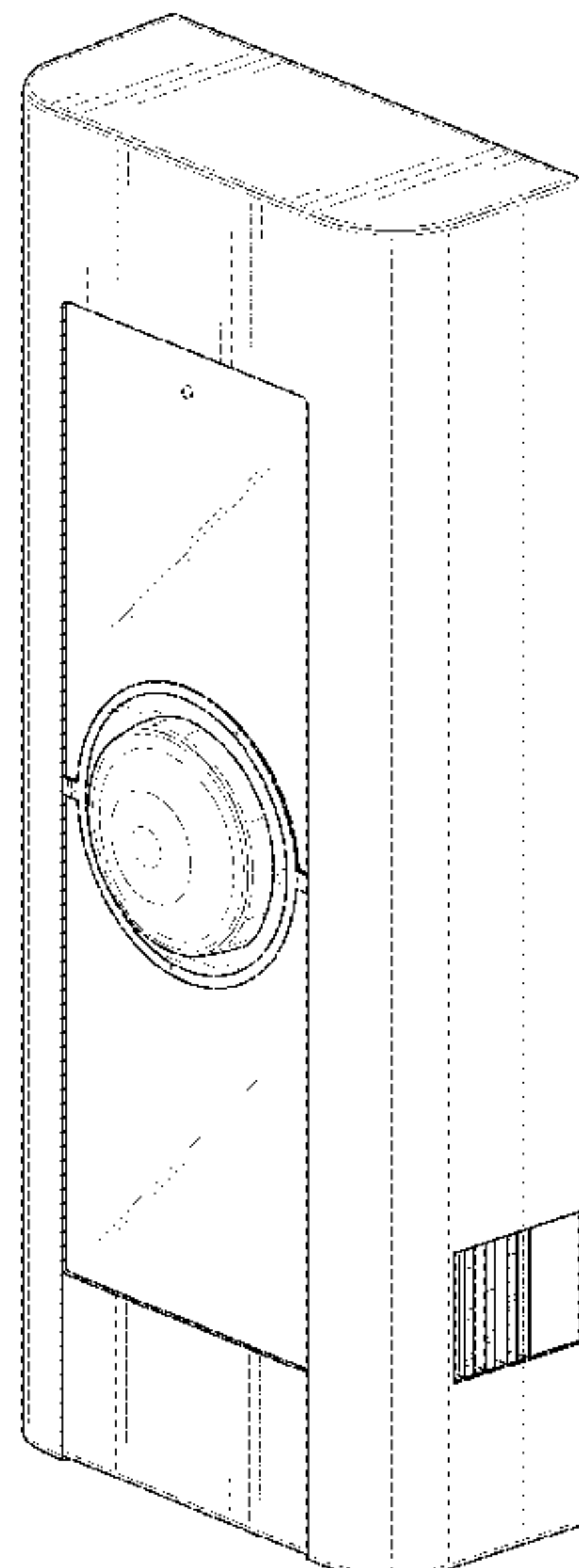
(57) **CLAIM**

The ornamental design for a doorbell, as shown and described.

**DESCRIPTION**

FIG. 1 is a front, right, top perspective view of a doorbell according to the present design;  
FIG. 2 is a back, left, bottom perspective view thereof;  
FIG. 3 is a back, right, top perspective view thereof;  
FIG. 4 is a front elevation view thereof;  
FIG. 5 is a back elevation view thereof;  
FIG. 6 is a left-side elevation view thereof;  
FIG. 7 is a right-side elevation view thereof;  
FIG. 8 is a top plan view thereof; and,  
FIG. 9 is a bottom plan view thereof.  
The broken lines depict portions of the doorbell that form no part of the claimed design.

**1 Claim, 9 Drawing Sheets**



(56)

**References Cited**

OTHER PUBLICATIONS

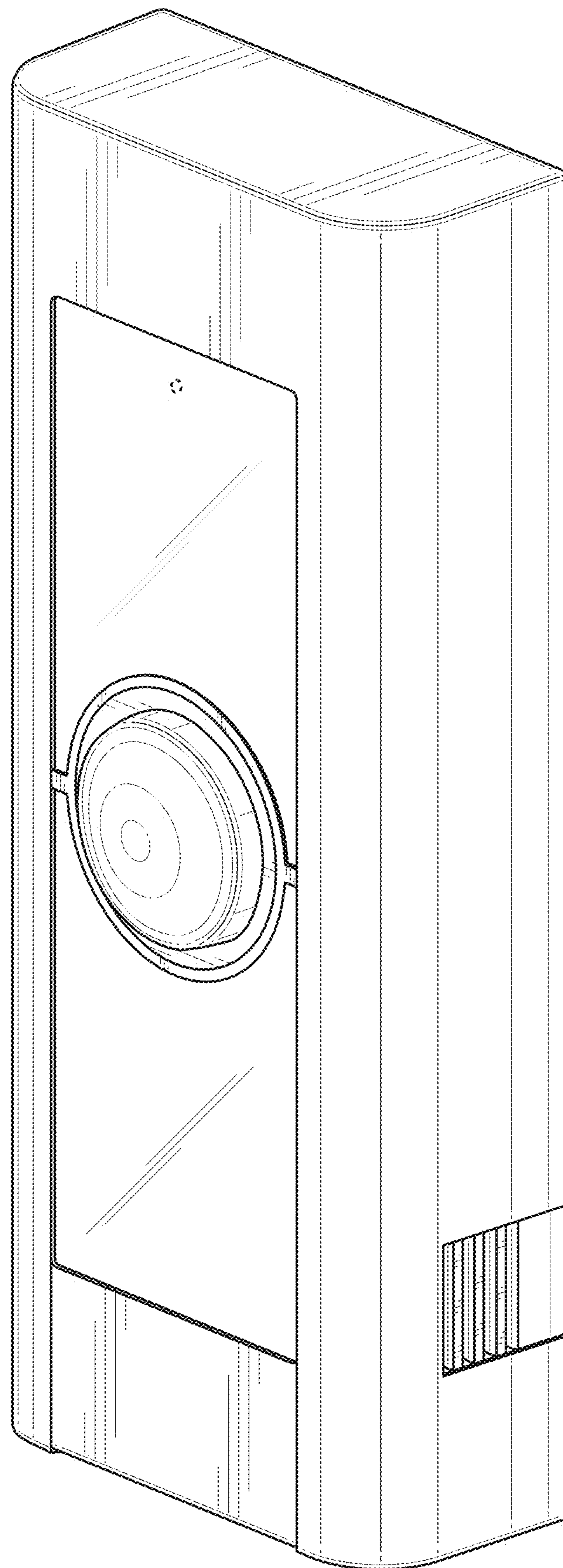
Canadian Office Action dated Jul. 3, 2019 for Canadian Patent Application No. 183962, a counter part of U.S. Pat. No. D848,300, 1 page.

Japanese Office Action dated Jul. 19, 2019 for Japanese Patent Application No. 2018-022371, a counterpart of U.S. Appl. No. 29/643,817, 3 pages.

Japanese Office Action dated Jul. 19, 2019 for Japanese Patent Application No. 2018-022370, a counterpart of U.S. Appl. No. 29/643,817, 4 pages.

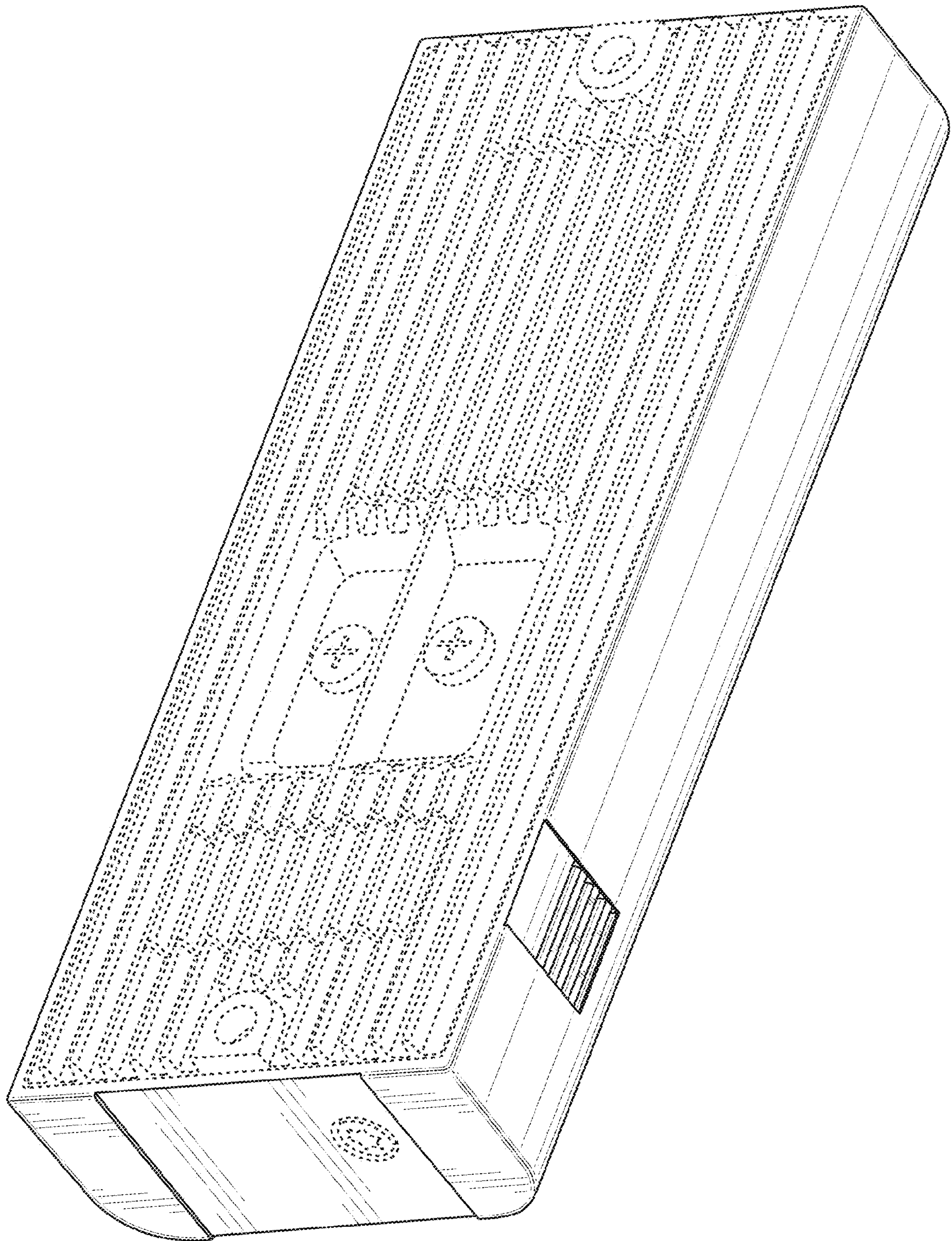
Taiwan Office Action dated Jul. 2, 2019 for Taiwan Patent Application No. 18107306017, a counter part of U.S. Pat. No. D848,300, 6 page.

\* cited by examiner

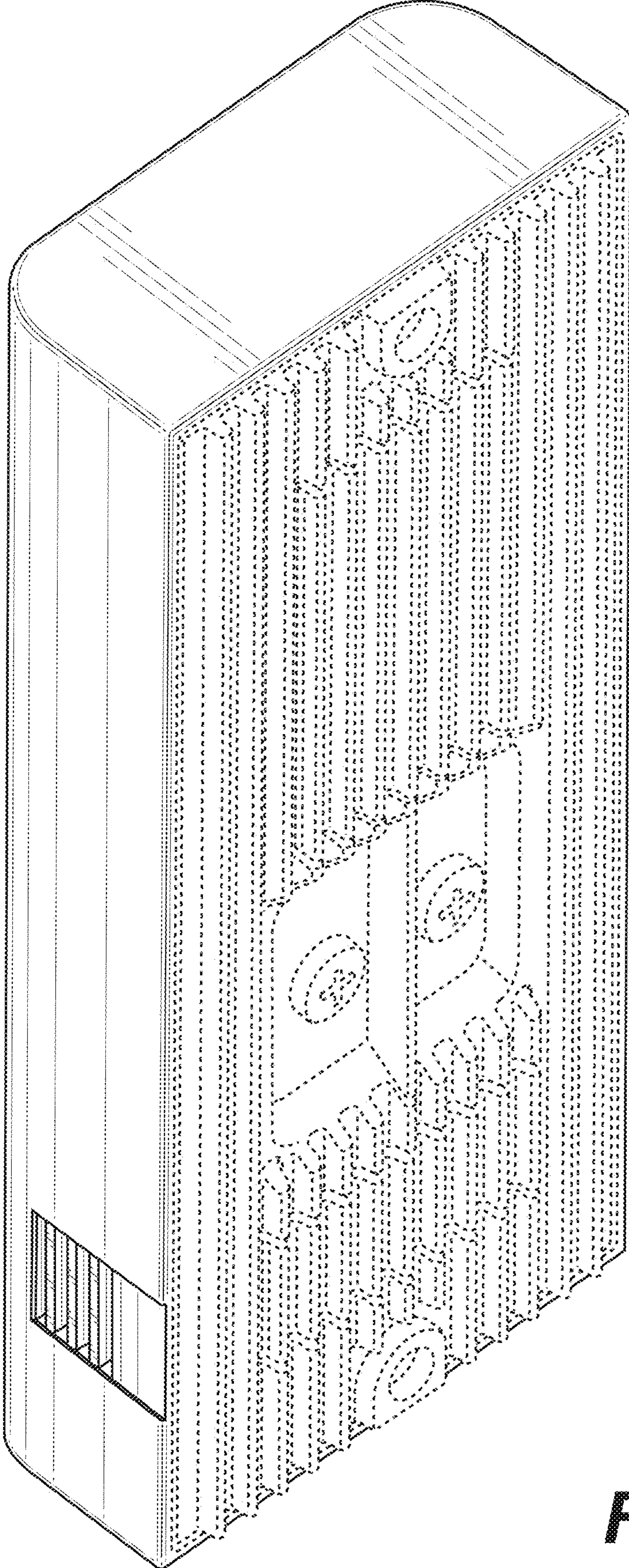


**FIG. 1**



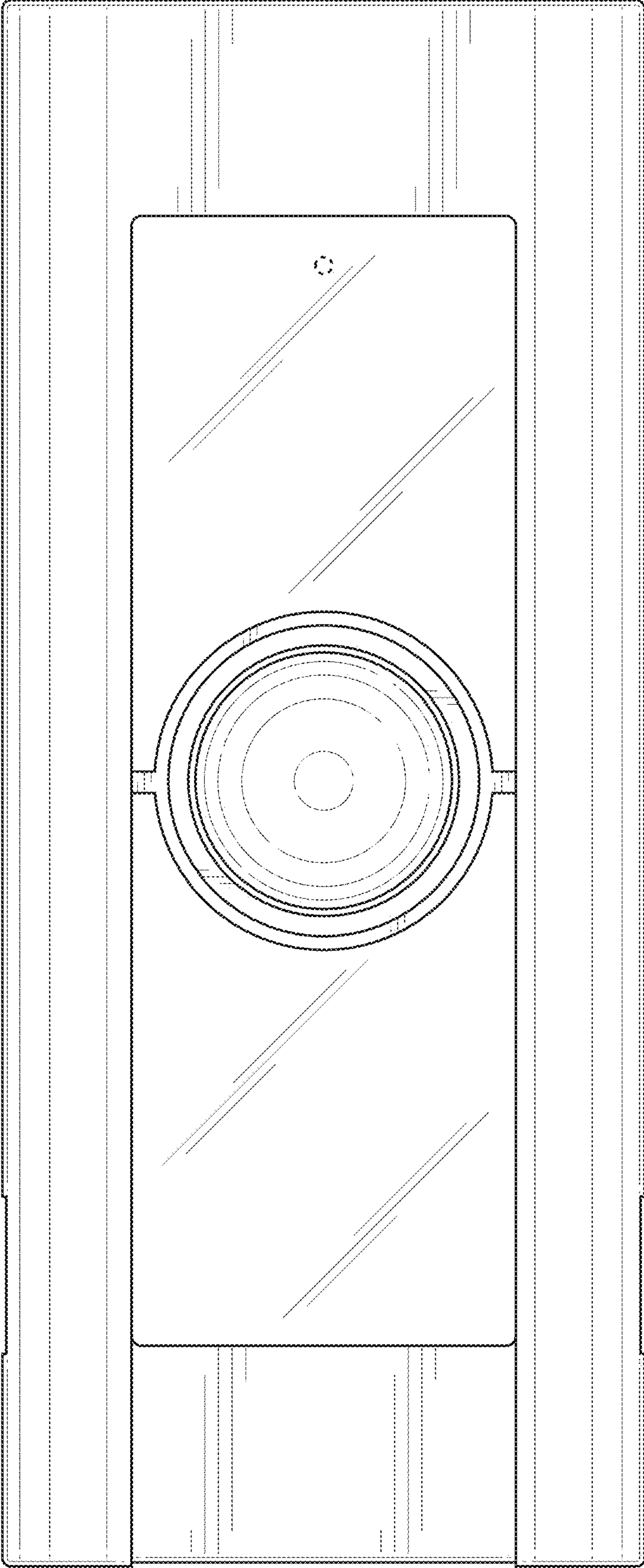


**FIG. 2**

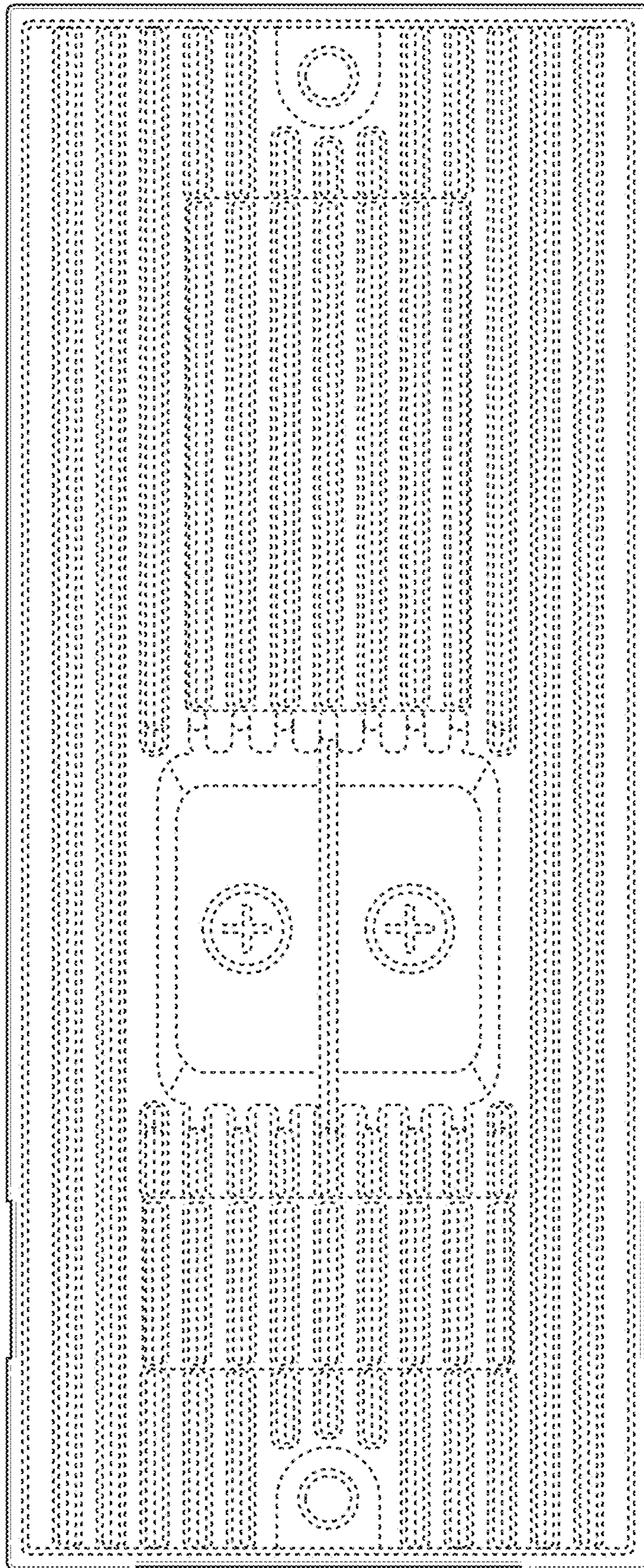


**FIG. 3**

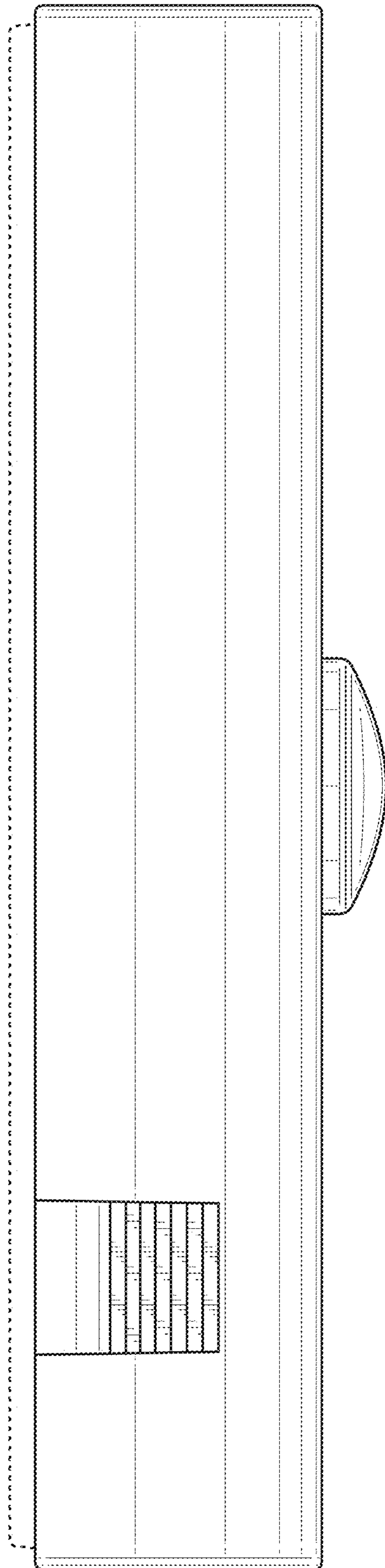




**FIG. 4**

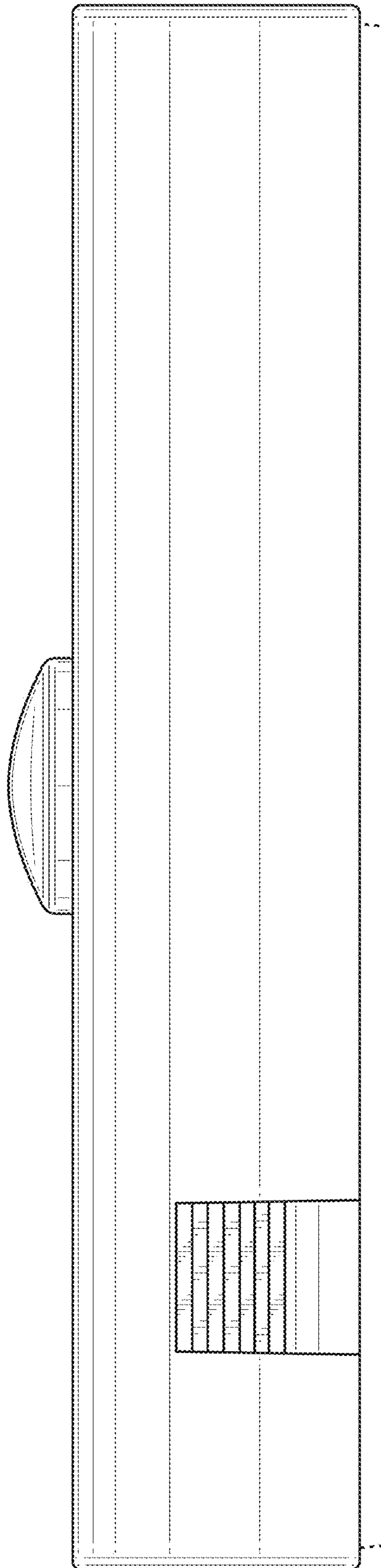


**FIG. 5**

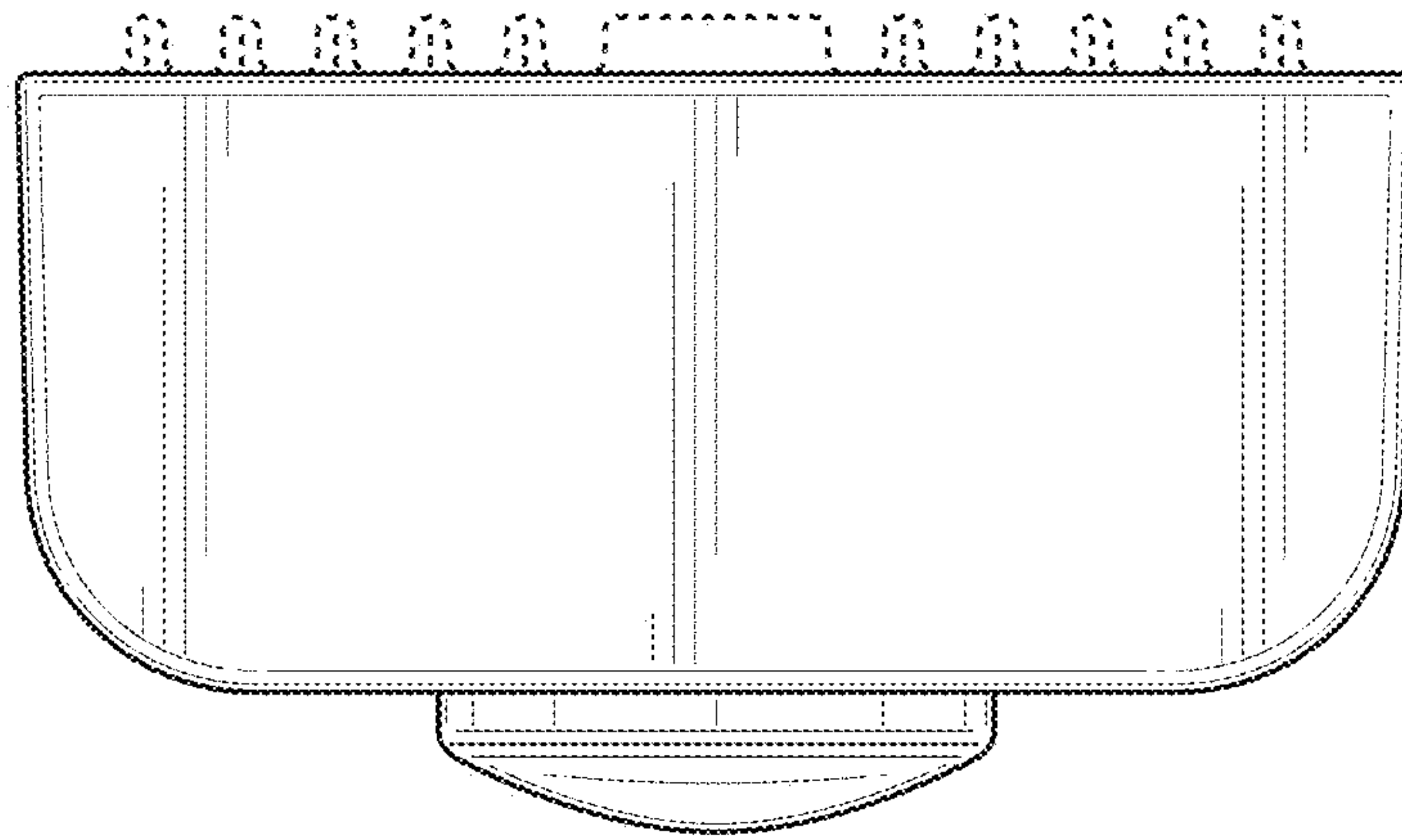


**FIG. 6**

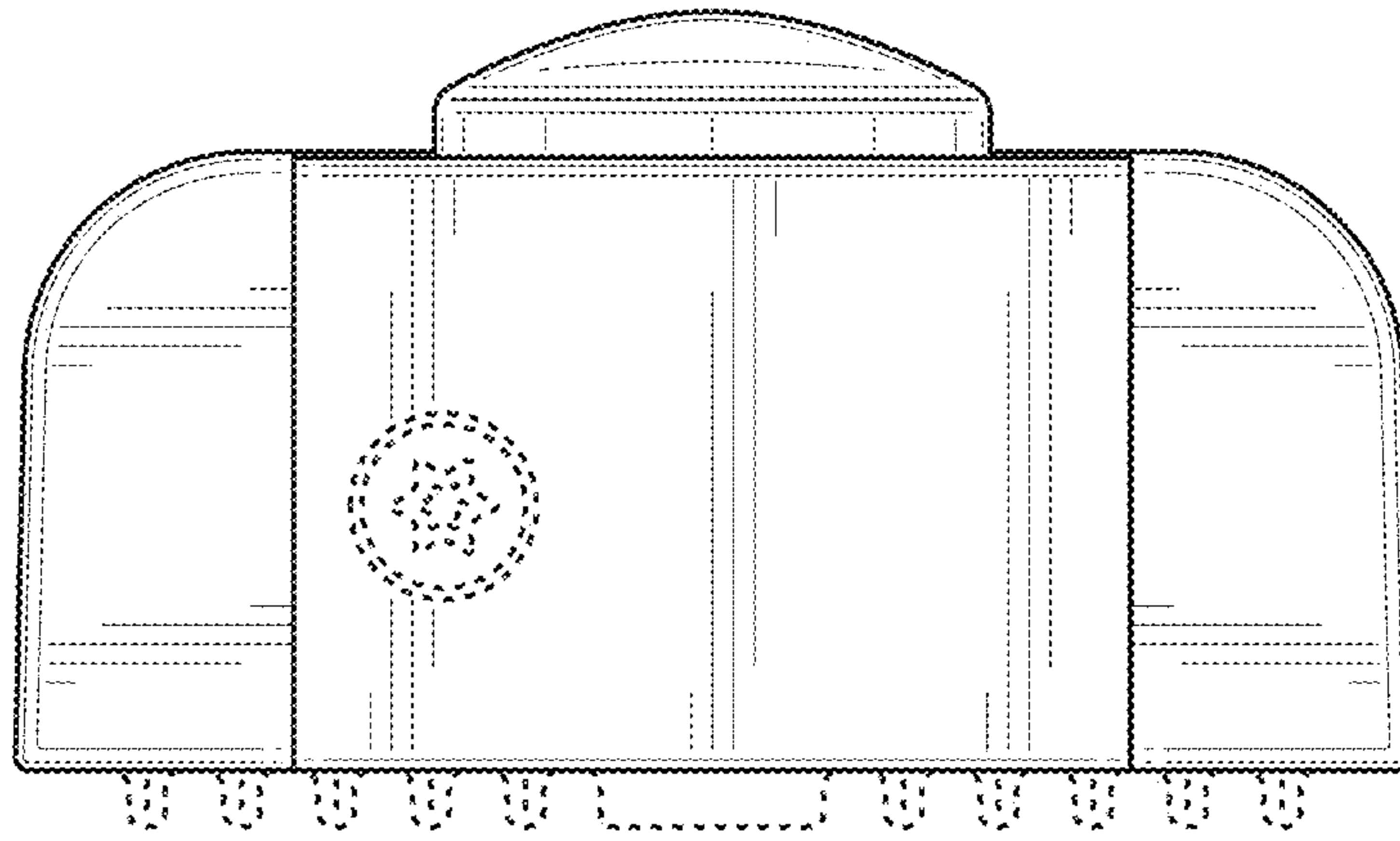




**FIG. 7**



**FIG. 8**



**FIG. 9**