



US00D870586S

(12) **United States Design Patent**  
**Lyons et al.**

(10) **Patent No.:** **US D870,586 S**

(45) **Date of Patent:** **\*\* Dec. 24, 2019**

(54) **DOME FOR LIGHTBAR**

(71) Applicant: **Whelen Engineering Company, Inc.**,  
Chester, CT (US)

(72) Inventors: **Jon H. Lyons**, Haddam, CT (US);  
**William J. Pokorny**, East Haddam, CT  
(US)

(73) Assignee: **Whelen Engineering Company, Inc.**,  
Chester, CT (US)

(\*\*) Term: **15 Years**

(21) Appl. No.: **29/622,870**

(22) Filed: **Oct. 20, 2017**

(51) **LOC (12) Cl.** ..... **10-05**

(52) **U.S. Cl.**  
USPC ..... **D10/114.4**

(58) **Field of Classification Search**  
USPC ..... D10/114.4–114.5; D26/72, 75–76  
CPC ..... B60Q 1/2611  
See application file for complete search history.

(56) **References Cited**

**U.S. PATENT DOCUMENTS**

D432,038 S \* 10/2000 Sasaki ..... D10/114.4  
D432,444 S \* 10/2000 Sasaki ..... D10/114.4

D593,428 S \* 6/2009 Lyons ..... D10/114.4  
D603,740 S \* 11/2009 Lyons ..... D10/114.4  
D729,095 S \* 5/2015 Chiang ..... D10/114.4  
D800,367 S \* 10/2017 Ladnier ..... D26/76  
2008/0080164 A1 \* 4/2008 Mastin ..... B60Q 1/2611  
362/35

\* cited by examiner

*Primary Examiner* — George D. Kirschbaum  
(74) *Attorney, Agent, or Firm* — Alix, Yale & Ristas,  
LLP

(57) **CLAIM**

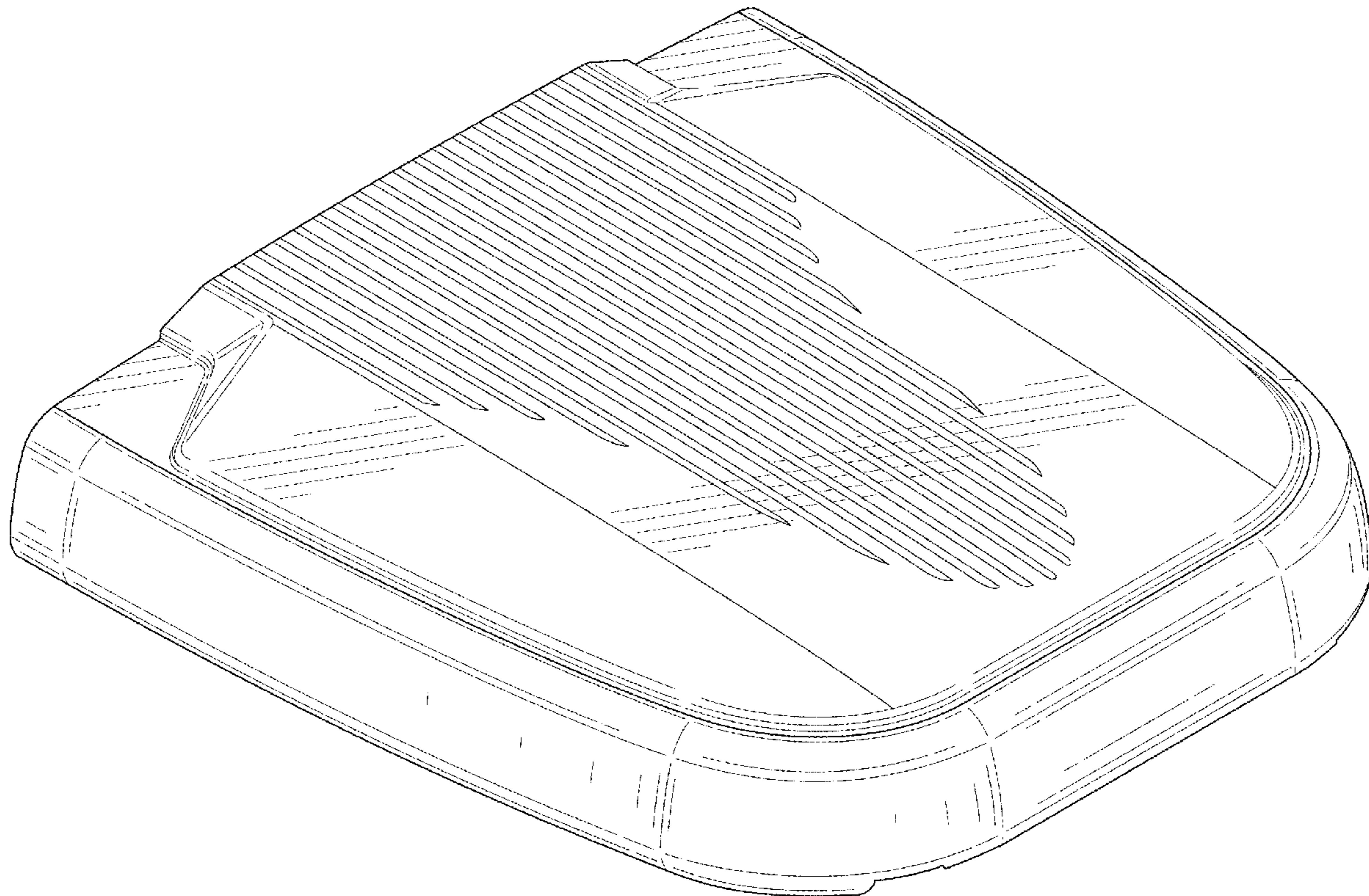
The ornamental design for the dome for a lightbar, as shown and described.

**DESCRIPTION**

FIG. 1 is a perspective view of an embodiment of a dome for a lightbar showing our new design; FIG. 2 is a front view of the dome for a lightbar of FIG. 1, the rear view being a mirror image thereof; FIG. 3 is a top view of a dome for a lightbar of FIG. 1; and, FIG. 4 is a right end view of a dome for a lightbar of FIG. 1.

No claim is made to a left end view or a bottom view of the embodiment of a dome for a lightbar disclosed herein.

**1 Claim, 4 Drawing Sheets**



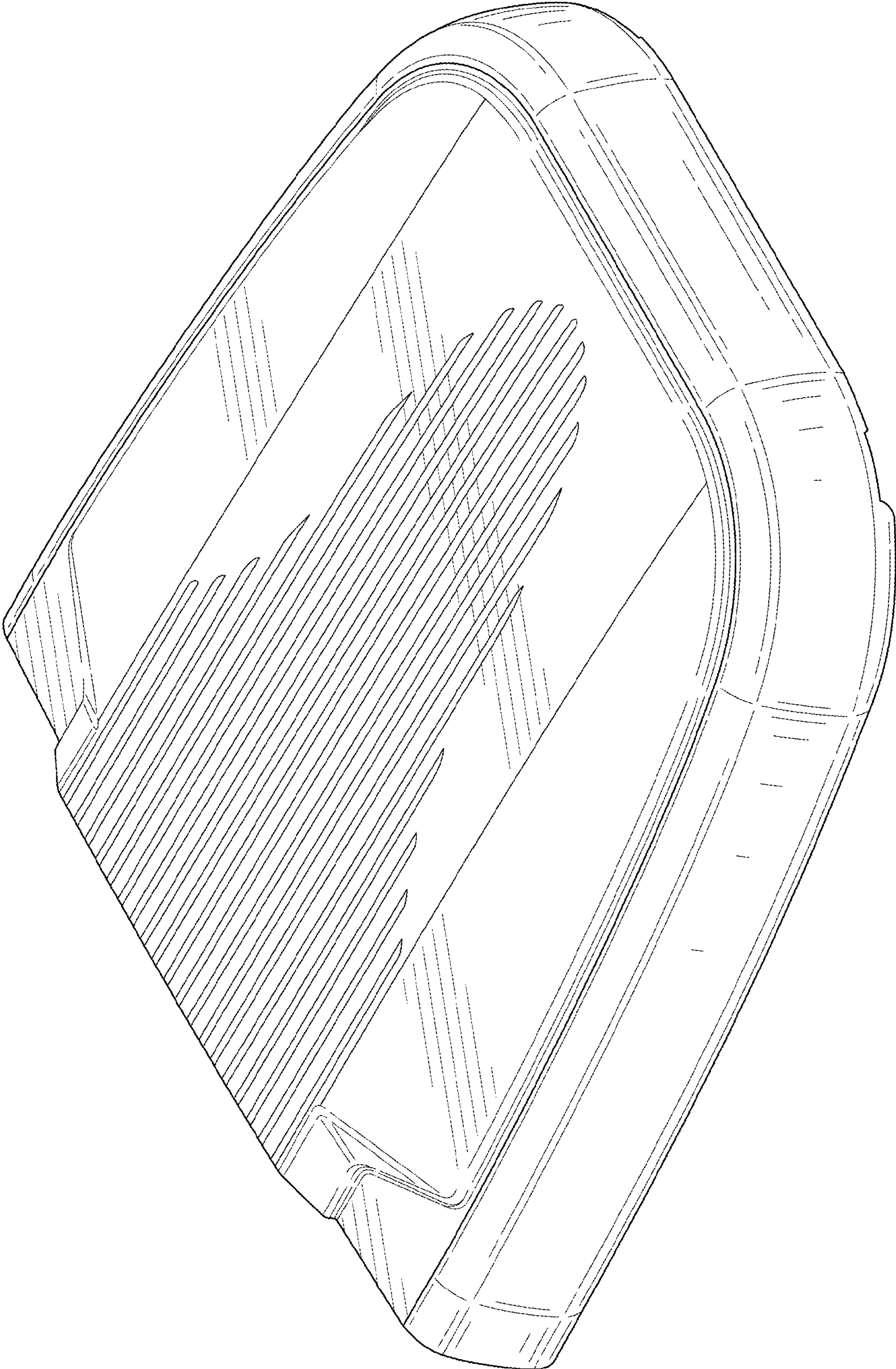
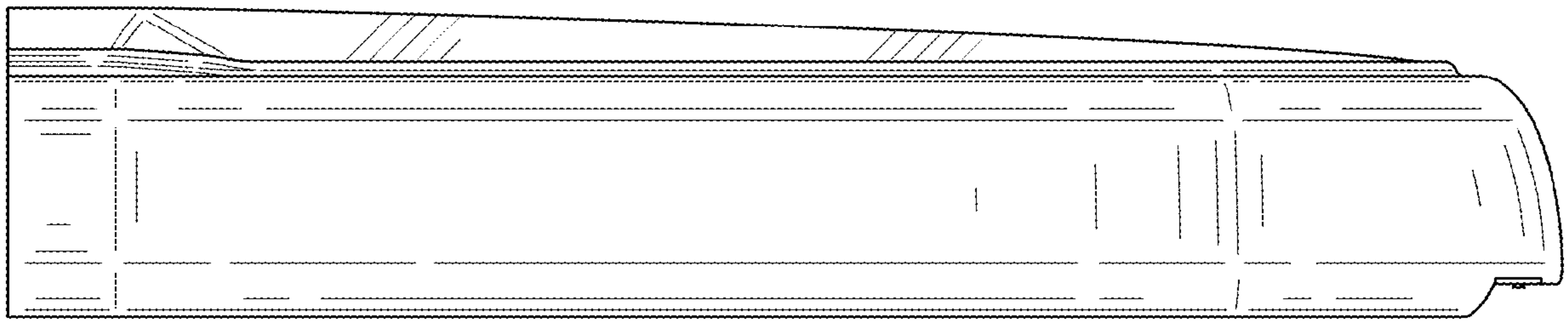
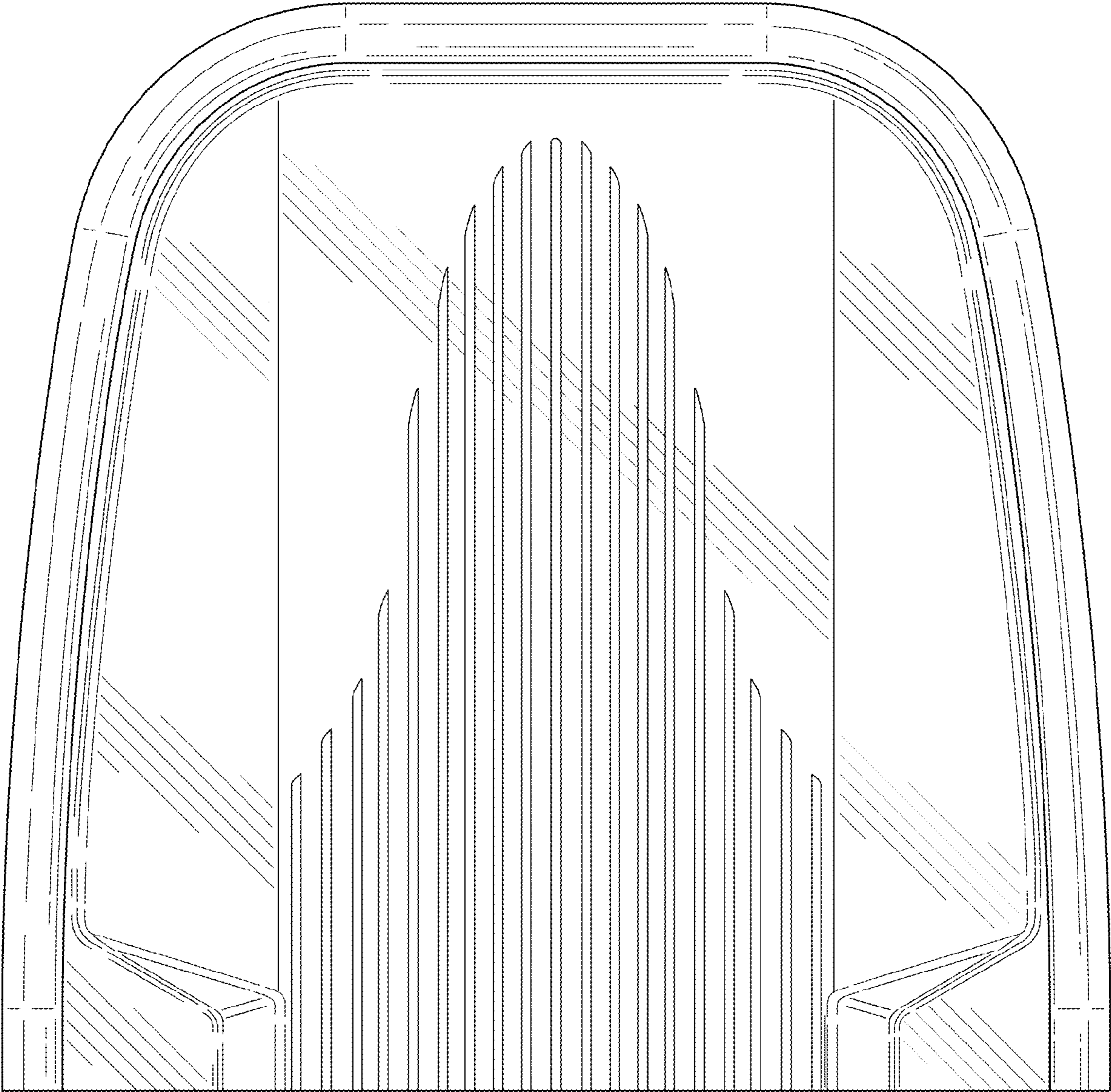


FIG. 1

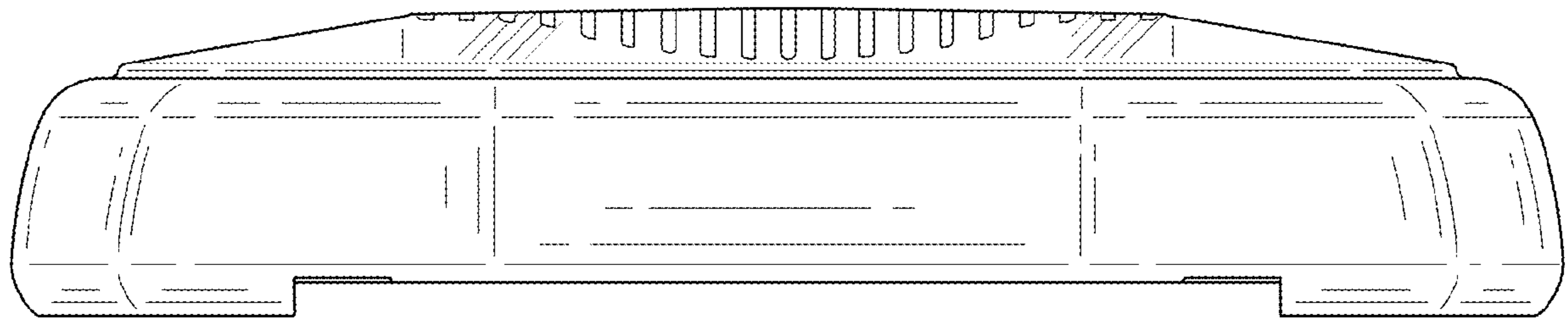


**FIG. 2**





**FIG. 3**



**FIG. 4**