



US00D870584S

(12) **United States Design Patent** (10) **Patent No.:** **US D870,584 S**
Muegerl (45) **Date of Patent:** **** Dec. 24, 2019**

- (54) **TRAFFIC BARRICADE**
- (71) Applicant: **Gerard J. Muegerl**, Churubusco, IN (US)
- (72) Inventor: **Gerard J. Muegerl**, Churubusco, IN (US)
- (**) Term: **15 Years**
- (21) Appl. No.: **29/594,819**
- (22) Filed: **Feb. 22, 2017**
- (51) **LOC (12) Cl.** **10-05**
- (52) **U.S. Cl.**
USPC **D10/113.3**
- (58) **Field of Classification Search**
USPC D10/104.1, 106.6, 107, 109.1, 109.2, D10/113.1, 113.2, 113.3, 113.4, 114.1, D10/116.1, 121; D20/10; D21/483, 484, D21/486, 494, 493, 502, 503, 504, 505; 116/63 P, 63 C; 446/476, 85, 102, 104, 446/110, 111, 122, 124; D25/39, 44, D25/112; 404/6, 7, 8, 9, 10, 11, 12, 13, 404/14, 15
CPC E01F 9/09; E01F 9/087; E01F 15/085
See application file for complete search history.

- (56) **References Cited**
U.S. PATENT DOCUMENTS
2,279,942 A 4/1942 Herman
4,062,521 A 12/1977 Moreau
D296,087 S * 6/1988 Luck D10/113.4
4,945,306 A 7/1990 Lowther
5,028,463 A * 7/1991 Cahill B29C 70/70
264/263
5,104,254 A 4/1992 Durand
5,123,773 A 6/1992 Yodock
5,134,815 A 8/1992 Pickett
D341,098 S 11/1993 Yodock
5,487,237 A 1/1996 Martin, Jr.
5,531,540 A 7/1996 Wasserstrom et al.

- 5,549,410 A 8/1996 Beryozkin et al.
- 5,605,413 A 2/1997 Brown
- D391,513 S 3/1998 Brown
- 5,821,140 A 10/1998 Jost et al.
- D401,352 S 11/1998 Nimmo et al.
- 5,882,140 A 3/1999 Yodock, Jr. et al.
- (Continued)

OTHER PUBLICATIONS

Available Jul. 2, 2018, [online], [site visited Dec. 19, 2018]. Available from Internet, <URL:https://www.crowdcontrolwarehouse.com/collections/traffic-barricades/products/lo-pro-airport-barricade> (Year: 2018).*

(Continued)

Primary Examiner — Michael C Stout
Assistant Examiner — Katrina N Gonzalez
(74) *Attorney, Agent, or Firm* — Carson LLP; Michael D. Smith

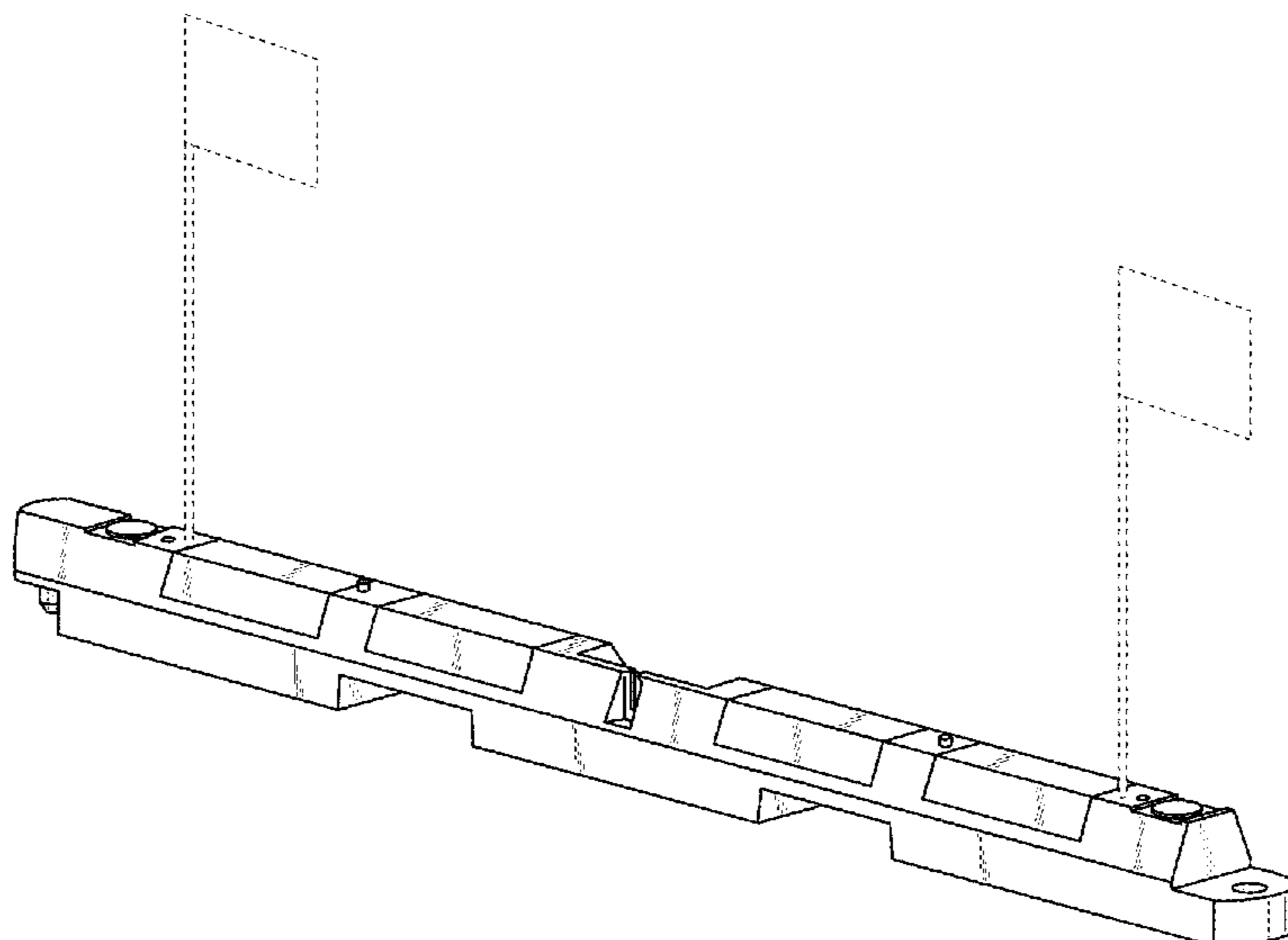
(57) **CLAIM**

The ornamental design for a traffic barricade, as shown and described.

DESCRIPTION

FIG. 1 is an upper, right, front isometric view of a traffic barricade, showing my new design;
FIG. 2 is an upper, left, rear isometric view thereof;
FIG. 3 is a lower, left, rear isometric view, shown without the pair of flags;
FIG. 4 is a top plan view thereof;
FIG. 5 is a bottom plan view thereof;
FIG. 6 is a front elevation view, shown with a light;
FIG. 7 is a rear elevation view thereof, shown with a pair of flags;
FIG. 8 is an enlarged right side view of FIG. 4; and,
FIG. 9 is an enlarged left side view thereof.
The broken lines illustrate portions of the traffic barricade that form no part of the claimed design.

1 Claim, 6 Drawing Sheets



(56)

References Cited

U.S. PATENT DOCUMENTS

5,988,934 A 11/1999 Wasserstrom
 6,164,865 A 12/2000 McCallum
 6,203,242 B1 3/2001 Englund
 6,212,840 B1 4/2001 Davidovitz
 D462,126 S 8/2002 Englund
 6,666,613 B2 12/2003 Wu
 6,702,515 B1 3/2004 Frederiksen
 7,258,505 B2 8/2007 Dehart
 D622,773 S * 8/2010 Giudicelli D20/10
 7,997,823 B2 * 8/2011 Meyers E01F 15/003
 404/6
 D657,421 S * 4/2012 Yan D20/10
 D665,455 S * 8/2012 Giudicelli D20/10
 8,808,600 B1 * 8/2014 Christensen E01F 13/022
 264/238
 10,113,279 B2 * 10/2018 Stevens G08G 1/095
 2003/0086761 A1 5/2003 Anderson
 2005/0201828 A1 * 9/2005 Kang E01F 15/086
 404/6
 2006/0239775 A1 * 10/2006 Klassen G09F 19/22
 404/7
 2006/0285919 A1 * 12/2006 Detzel E01F 9/529
 404/7
 2007/0098490 A1 * 5/2007 Christensen E01F 13/022
 404/6
 2008/0286041 A1 * 11/2008 Yodock, Jr. E01F 15/083
 404/6
 2009/0003931 A1 * 1/2009 Christensen B29C 49/482
 404/6

2011/0061275 A1 * 3/2011 Ginebra Giudicelli
 G09F 13/0413
 40/572
 2011/0150569 A1 * 6/2011 Christensen E01F 13/022
 404/9
 2014/0270937 A1 9/2014 Kulkami et al.

OTHER PUBLICATIONS

Available Dec. 19, 2018, [online], [site visited Dec. 19, 2018].
 Available from Internet, <URL:https://www.crowdcontrolwarehouse.com/collections/traffic-barricades/products/water-sand-fillable-airport-barricade-10-h-x-96-l-x-10-w-40-lb> (Year: 2018).*

Available Mar. 9, 2017, [online], [site visited Dec. 19, 2018].
 Available from Internet, <URL:https://www.youtube.com/watch?v=QAE0eun1FkQ> (Year: 2017).*

Available Dec. 19, 2018, [online], [site visited Dec. 19, 2018].
 Available from Internet, <URL:http://www.plasticade.com/traffic_safety/water_filled_airport_roadway_barricades/lo_pro_airport_barricade> (Year: 2018).*

Available Dec. 19, 2018, [online], [site visited Dec. 19, 2018].
 Available from Internet, <URL:https://www.trafficsafetywarehouse.com/Airport-Barrier-96L-x-10H-x-10W/productinfo/1008/> (Year: 2018).*

Available Dec. 19, 2018, [online], [site visited Dec. 19, 2018].
 Available from Internet, <URL:https://www.trans-supply.com/gp-658-plastic-airport-barricade-10-x-96-x-10.aspx> (Year: 2018).*

Available Oct. 13, 2015, [online], [site visited Dec. 19, 2018].
 Available from Internet, <URL:https://web.archive.org/web/20151013101534/https://www.powellsafetysolutions.com/airport-barriers/> (Year: 2015).*

* cited by examiner

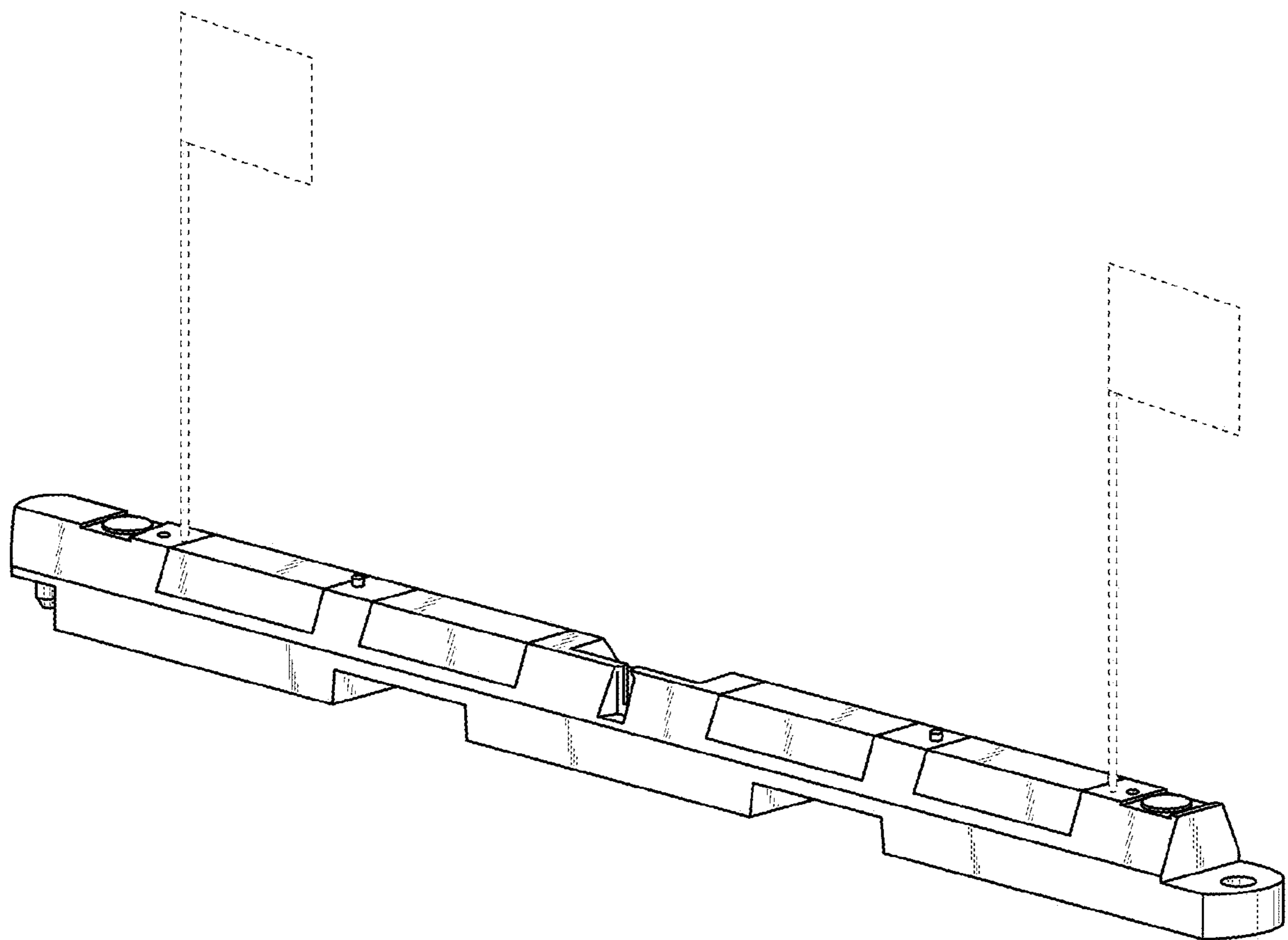


Fig. 1

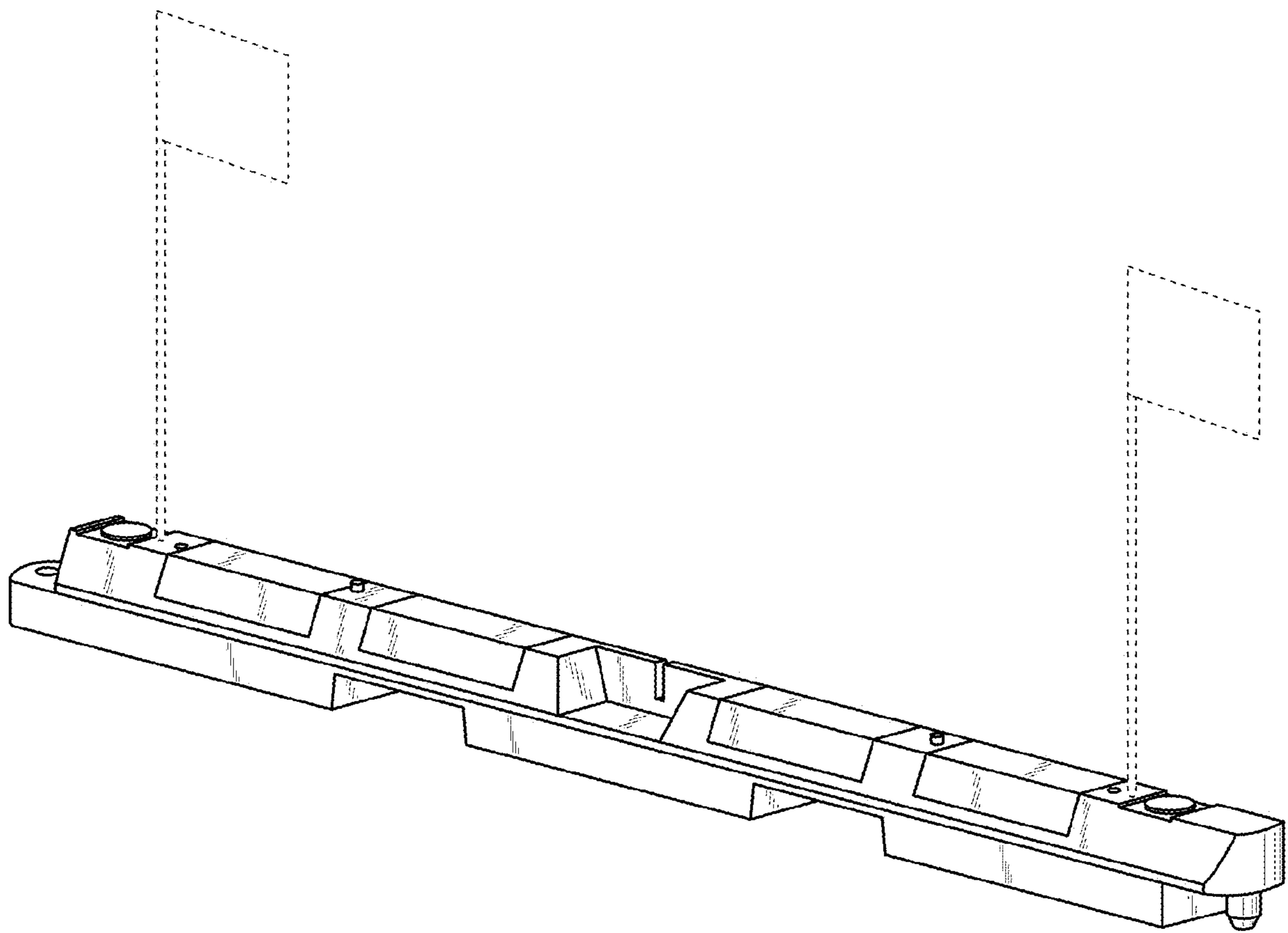


Fig. 2

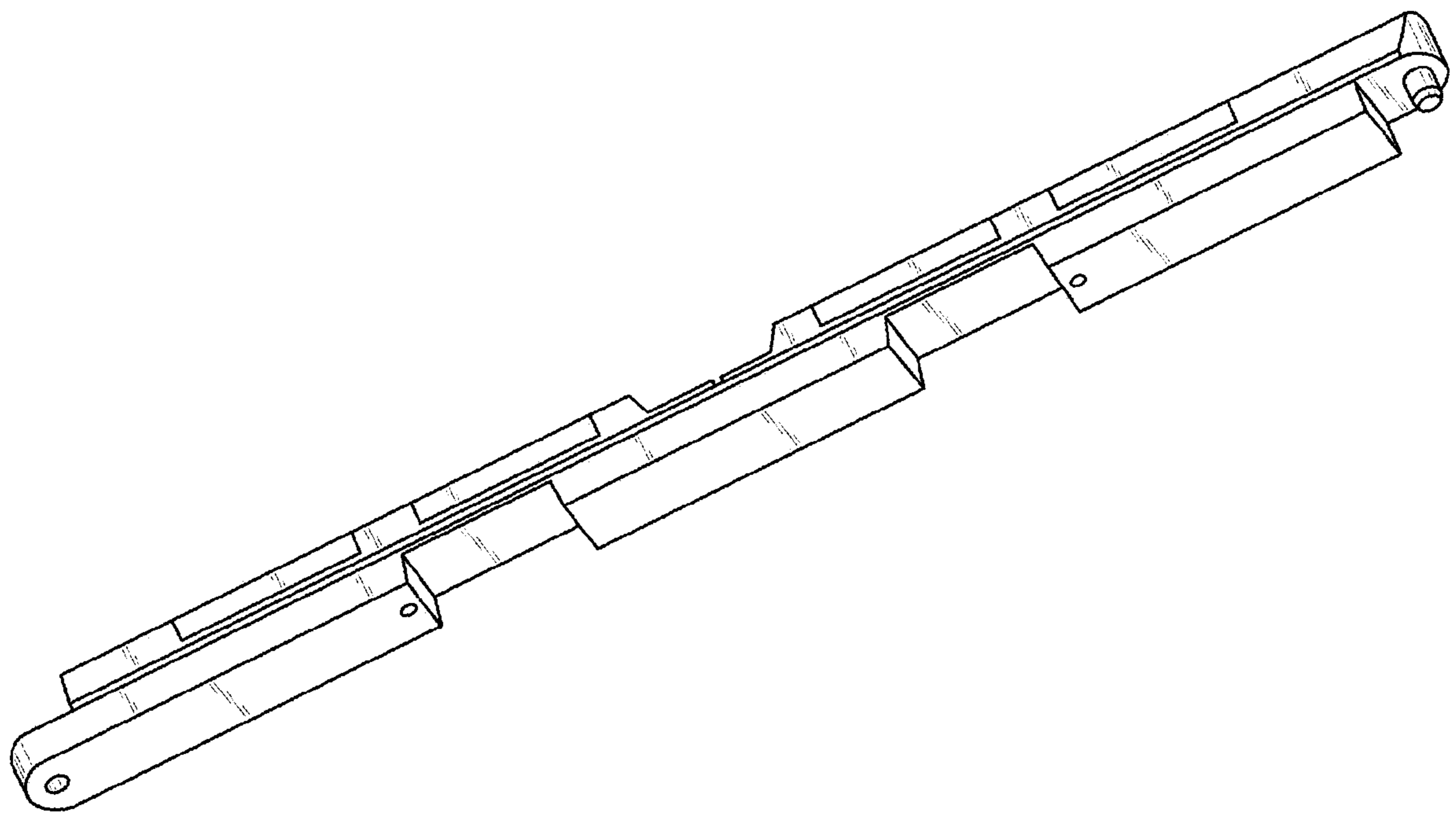


Fig. 3

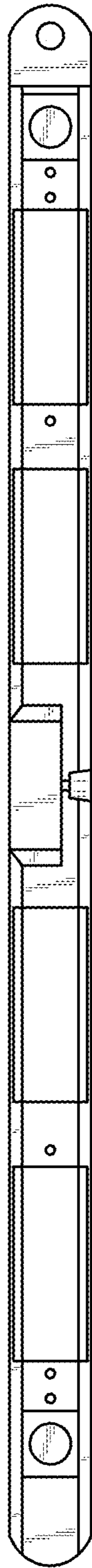


Fig. 4



Fig. 5

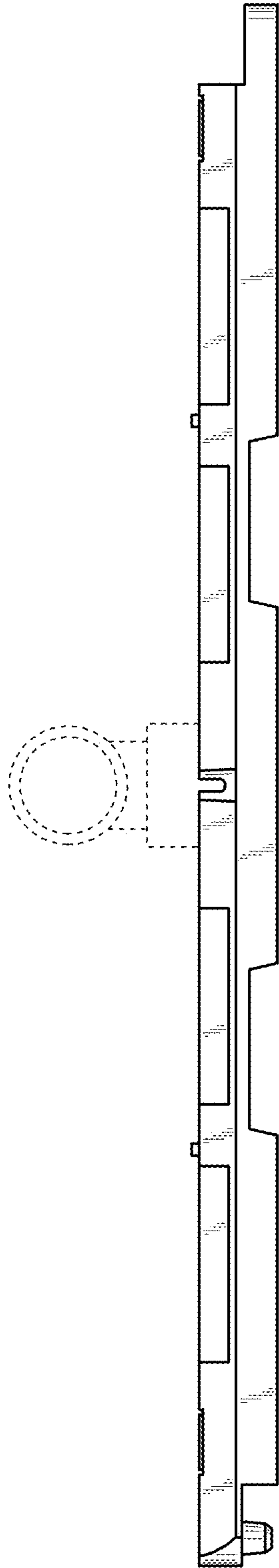


Fig. 6

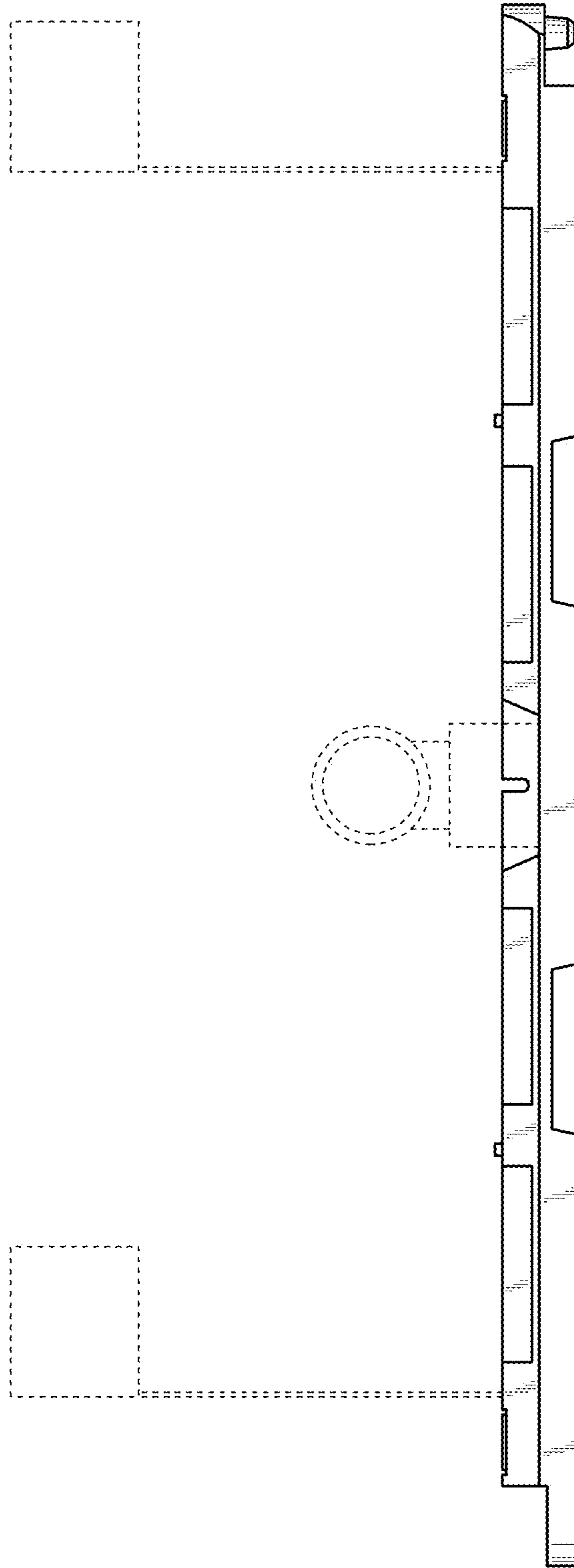


Fig. 7

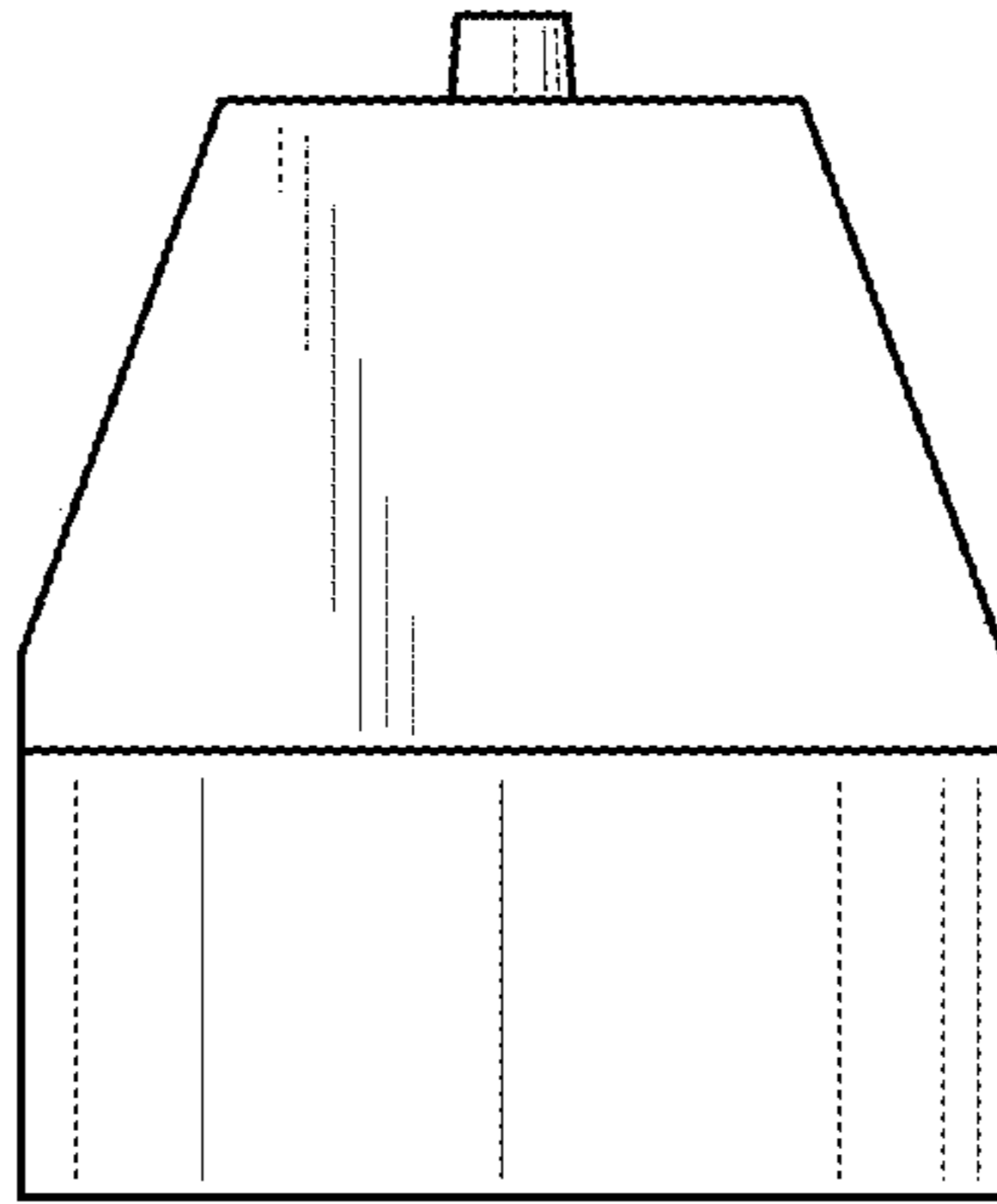


Fig. 8

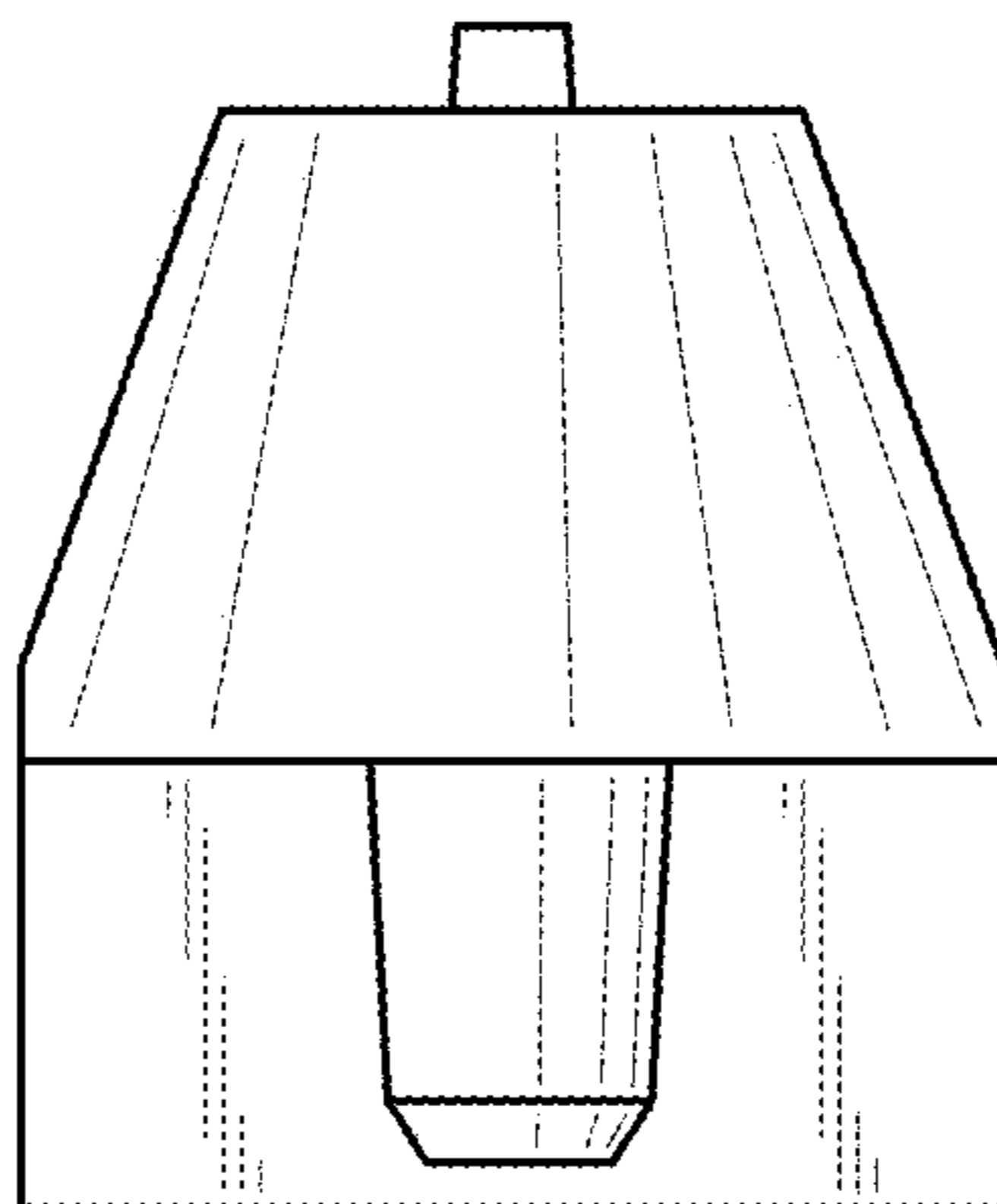


Fig. 9