



US00D870582S

(12) **United States Design Patent**  
**Bloom et al.**

(10) **Patent No.:** **US D870,582 S**

(45) **Date of Patent:** **\*\* Dec. 24, 2019**

(54) **BEVERAGE ASSET TRACKING DEVICE**

(71) Applicant: **Bitcork Inc.**, Eugene, OR (US)

(72) Inventors: **Justin D. Bloom**, Eugene, OR (US);  
**Todd S. Edman**, Eugene, OR (US);  
**Jesse N. Ralston**, Eugene, OR (US)

(73) Assignee: **Bitcork Inc.**, Eugene, OR (US)

(\*\*) Term: **15 Years**

(21) Appl. No.: **29/664,002**

(22) Filed: **Sep. 20, 2018**

(51) **LOC (12) Cl.** ..... **10-05**

(52) **U.S. Cl.**  
USPC ..... **D10/106.9**; D10/70

(58) **Field of Classification Search**  
USPC ..... D10/70, 106.9, 106.91, 106.92, 106.93,  
D10/106.94, 106.95

CPC .... G08B 13/126; G08B 13/128; G08B 13/14;  
G08B 13/1427; G08B 13/1409; G08B  
13/1436; G08B 13/1445; G08B 13/1463;  
G08B 13/1472; G08B 13/1481; G08B  
13/149; G08B 13/2428; G08B 13/2434;  
G08B 13/2437; G08B 21/24; G09F 3/18;  
G09F 3/185; G09F 3/20; G09F 3/201;  
G09F 3/202; G09F 3/203; G09F 3/204;  
G09F 3/205; G09F 3/206; G09F 3/207;  
G09F 3/208

See application file for complete search history.

(56) **References Cited**

**U.S. PATENT DOCUMENTS**

8,590,751 B2 \* 11/2013 Ciavarella ..... G09F 7/18  
221/283  
9,162,799 B2 \* 10/2015 Perry ..... B65D 25/205

D761,138 S \* 7/2016 Manabe ..... D10/65  
D775,978 S \* 1/2017 Christianson ..... D10/106.8  
D775,979 S \* 1/2017 Christianson ..... G09F 7/18  
D10/106.6  
D778,750 S \* 2/2017 Phillips ..... B65D 25/205  
D10/106.9  
D798,757 S \* 10/2017 Corley ..... D10/106.9  
D838,203 S \* 1/2019 Corley ..... D10/106.9  
D843,862 S \* 3/2019 Bellows ..... D10/70

\* cited by examiner

*Primary Examiner* — Antoine Duval Davis

(74) *Attorney, Agent, or Firm* — Renaissance IP Law  
Group, LLP; David A. Crowther

(57) **CLAIM**

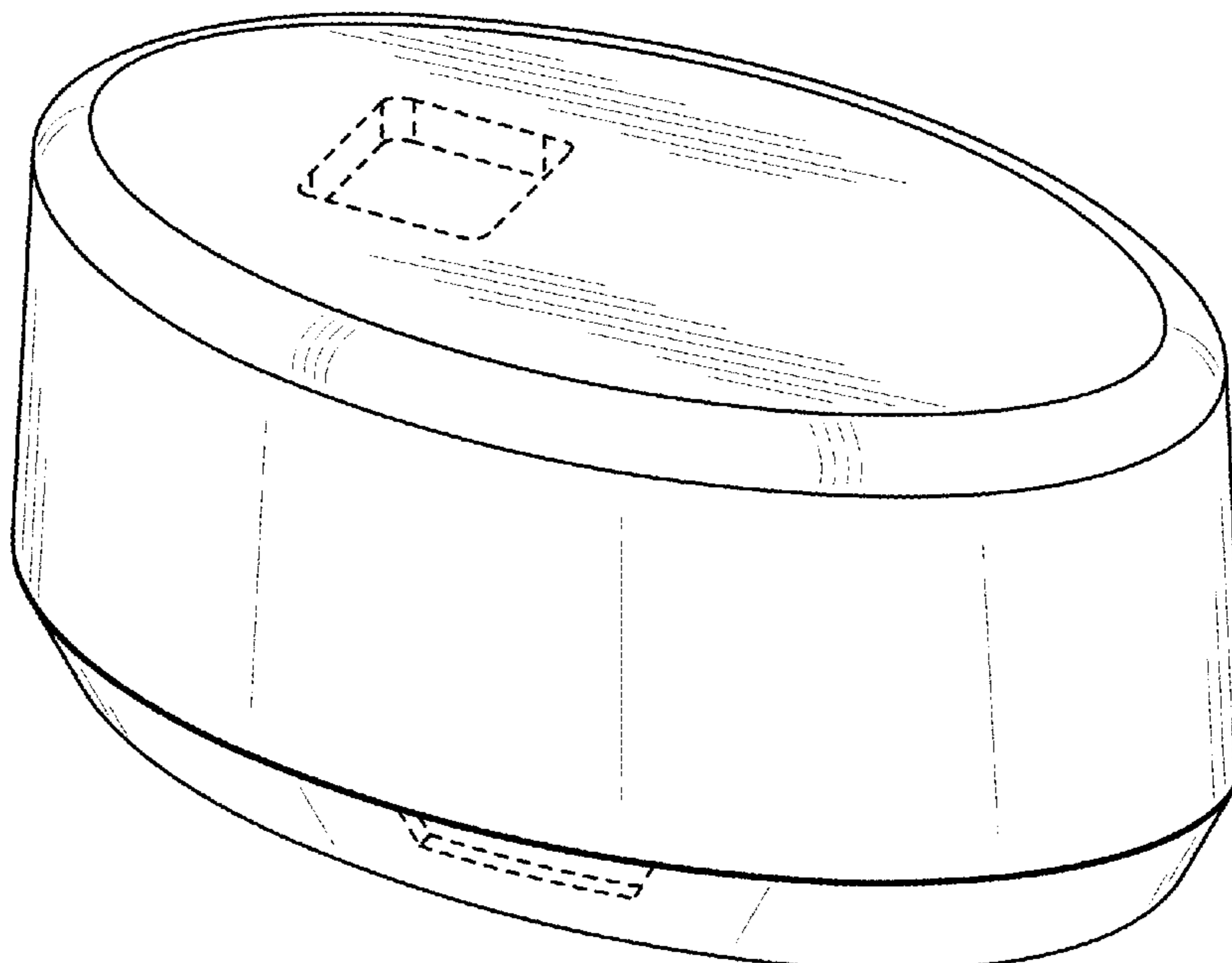
The ornamental design for a beverage asset tracking device,  
as shown and described.

**DESCRIPTION**

FIG. 1 is a perspective view of a beverage asset tracking device according to my new design;  
FIG. 2 is a top view of the beverage asset tracking device of FIG. 1;  
FIG. 3 is a bottom view of the beverage asset tracking device of FIG. 1;  
FIG. 4 is a first side view of the beverage asset tracking device of FIG. 1;  
FIG. 5 is a second side view of the beverage asset tracking device of FIG. 1;  
FIG. 6 is a front view of the beverage asset tracking device of FIG. 1; and,  
FIG. 7 is a back view of the beverage asset tracking device of FIG. 1.

The broken lines illustrate portions of the beverage asset tracking device and form no part of the claimed design.

**1 Claim, 5 Drawing Sheets**



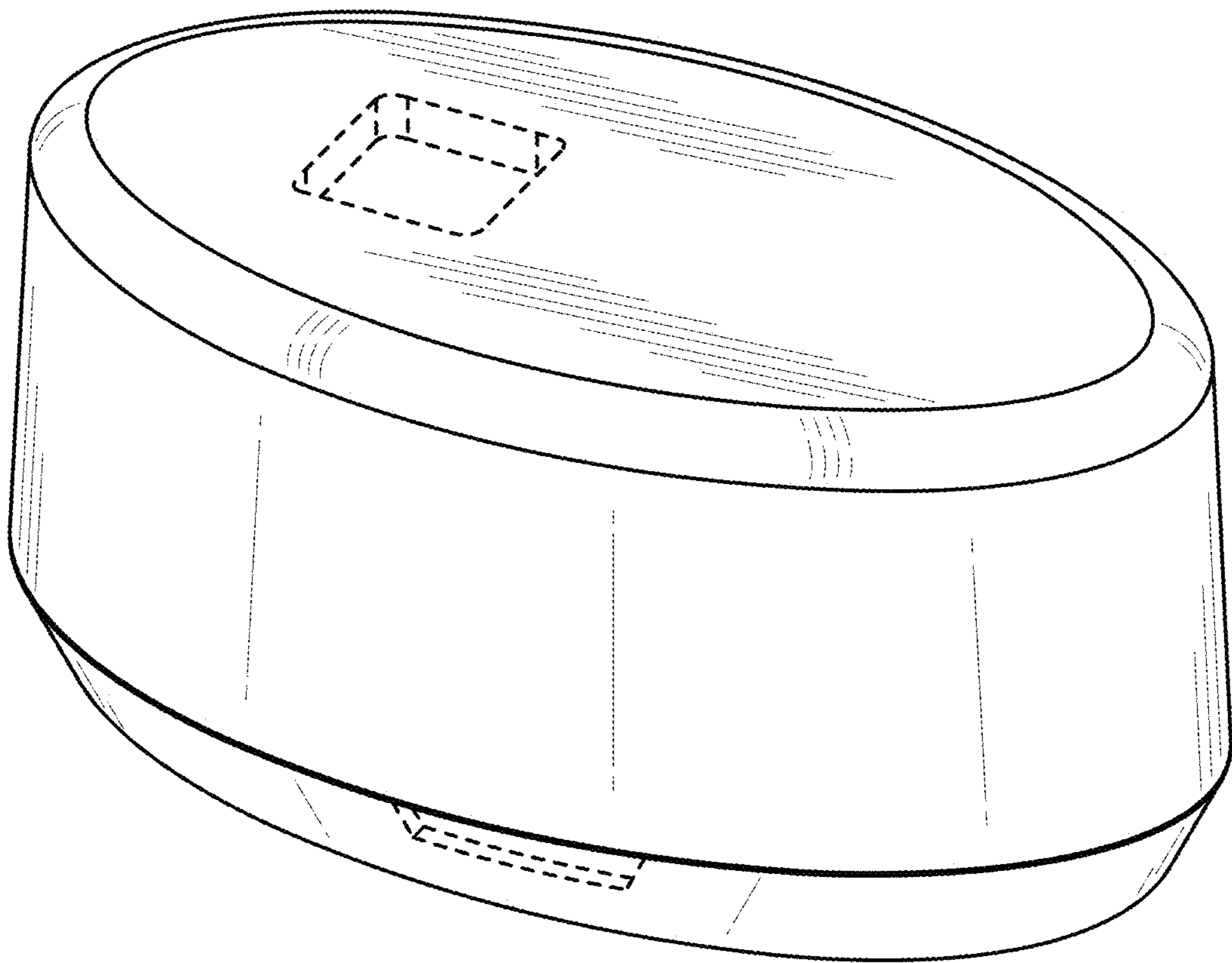


FIG. 1

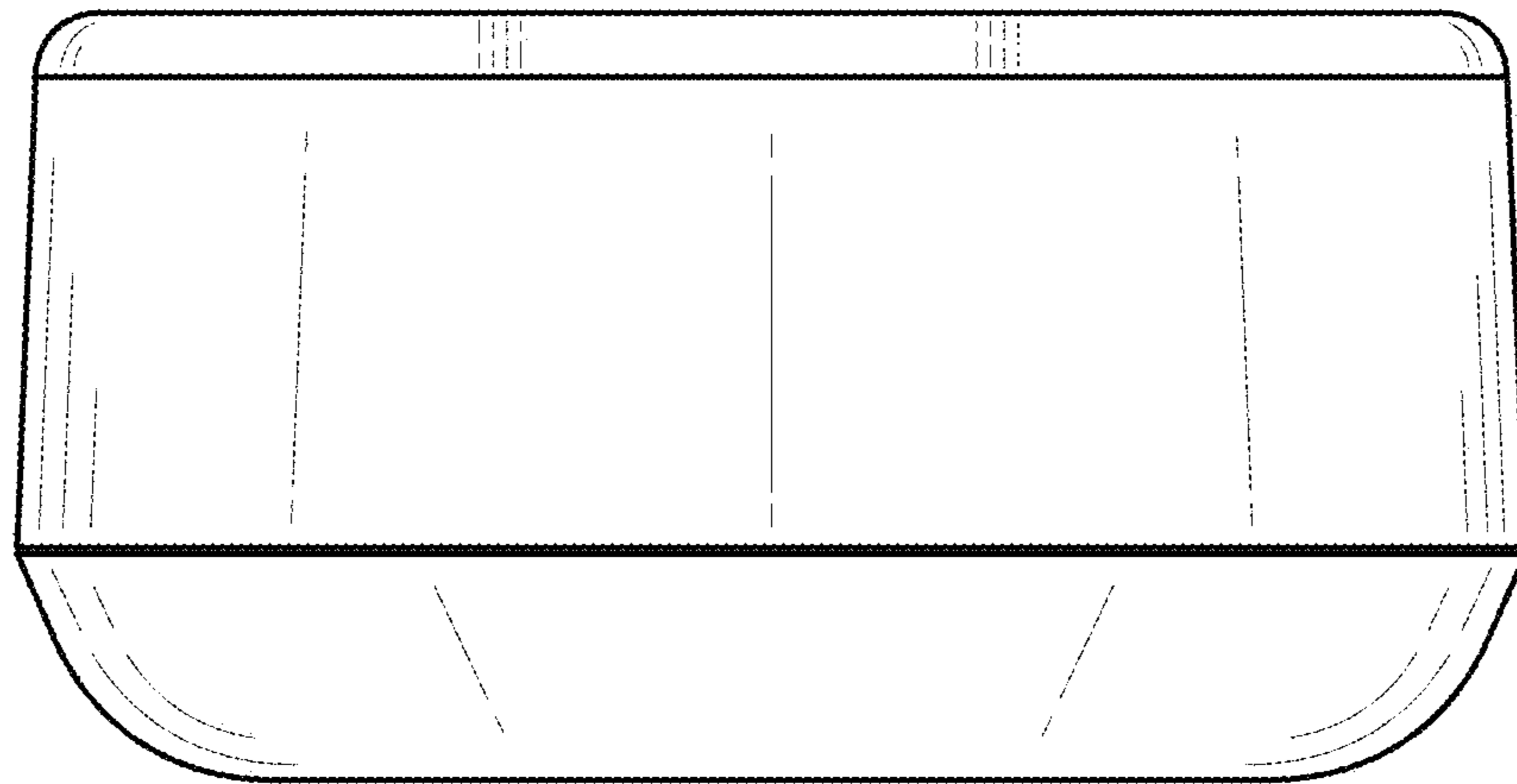


FIG. 2

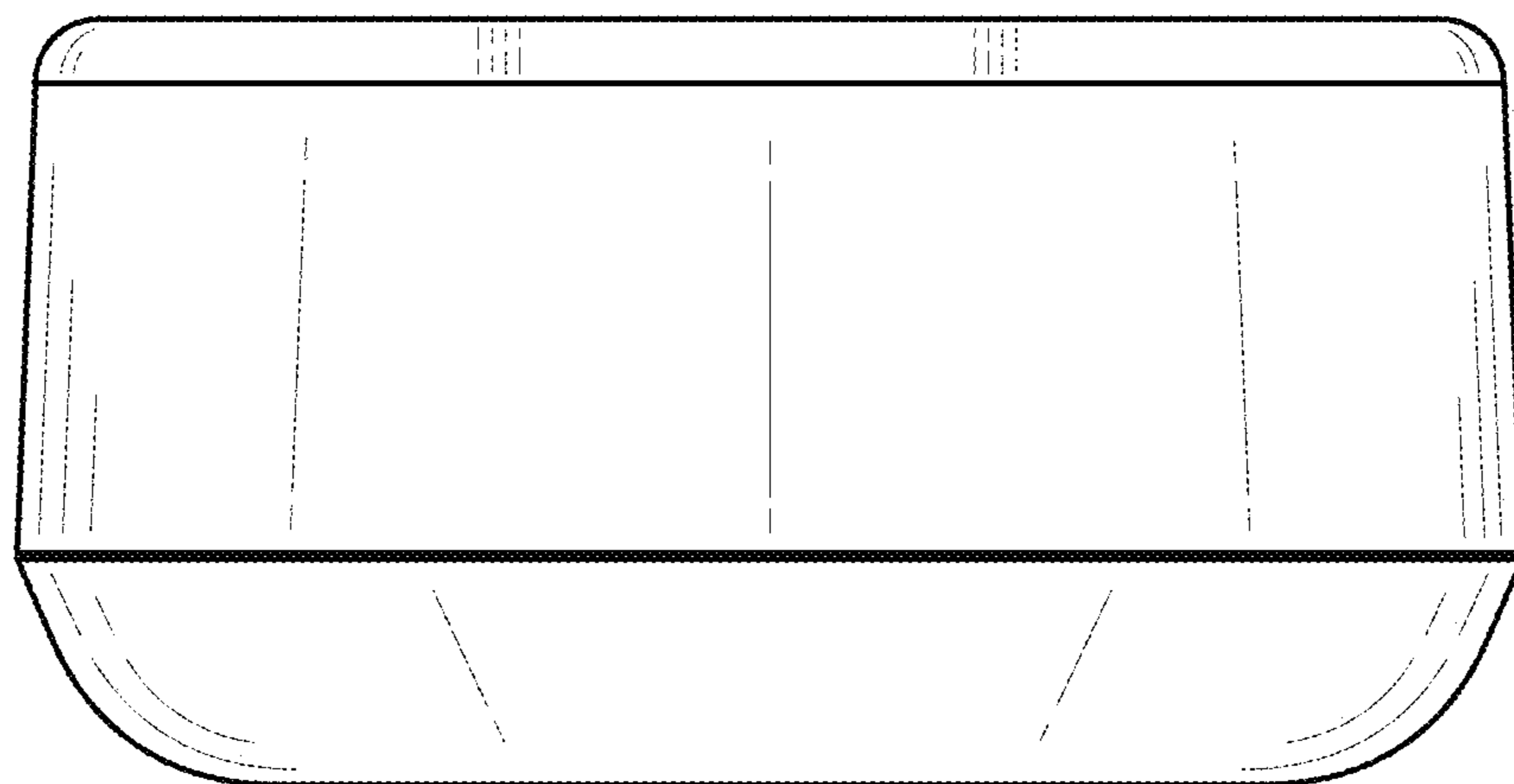


FIG. 3

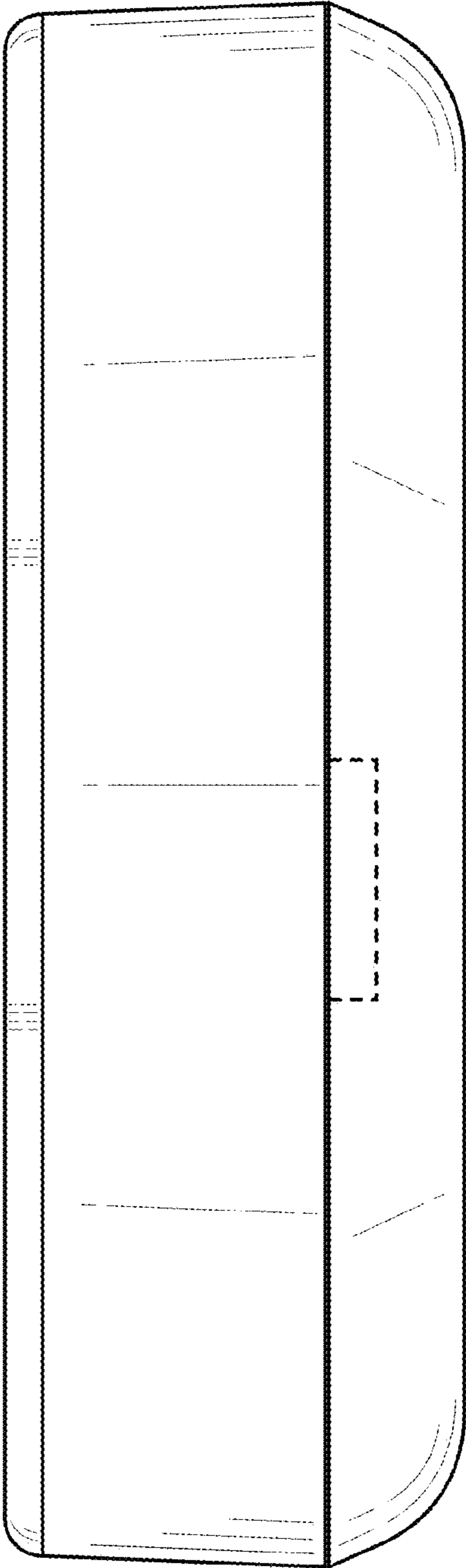


FIG. 4

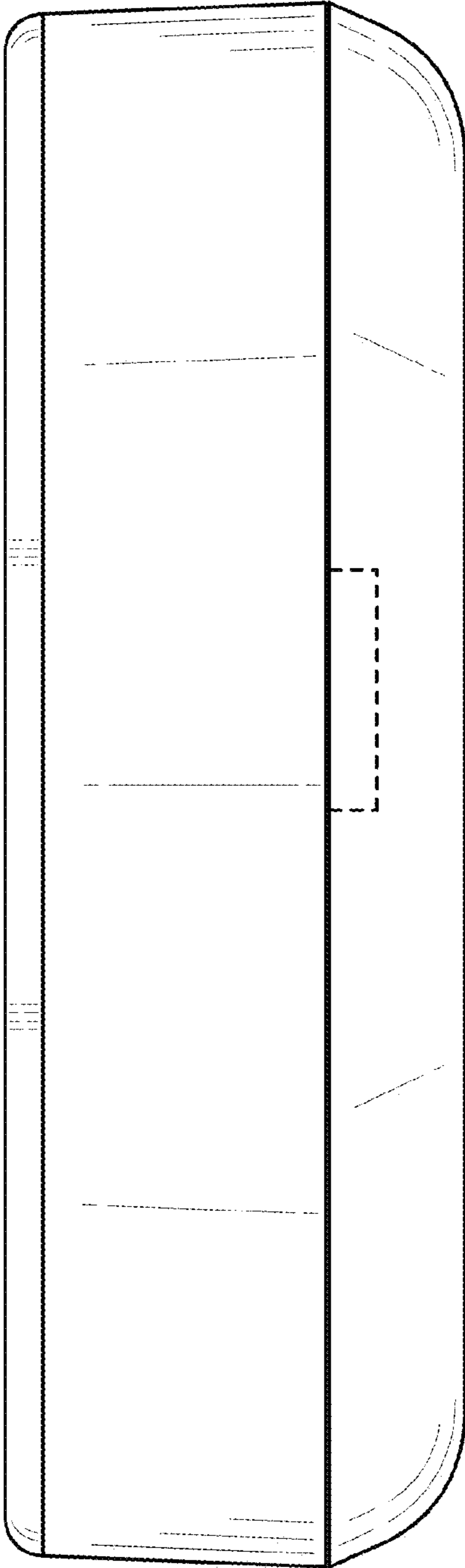


FIG. 5

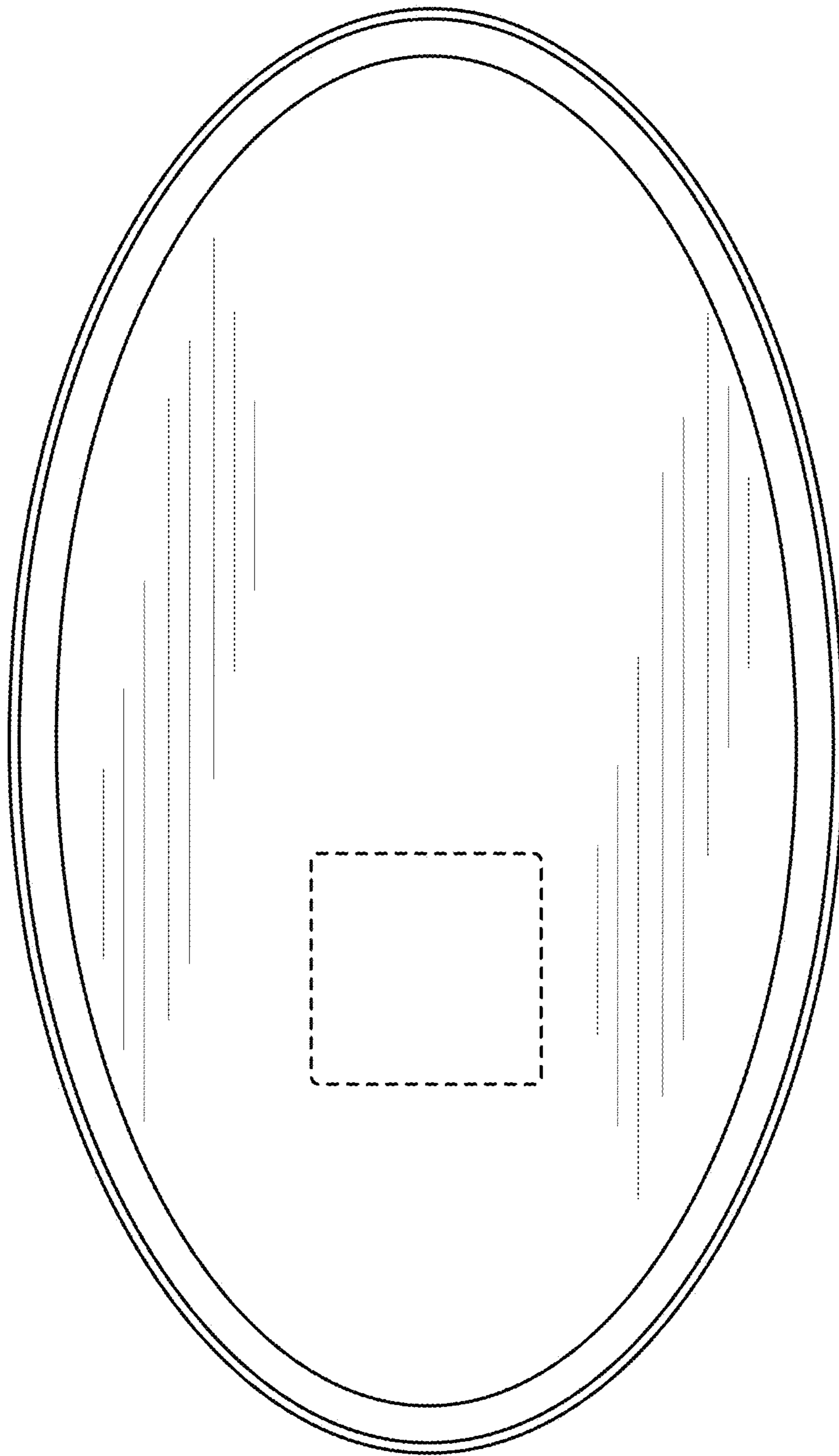


FIG. 6



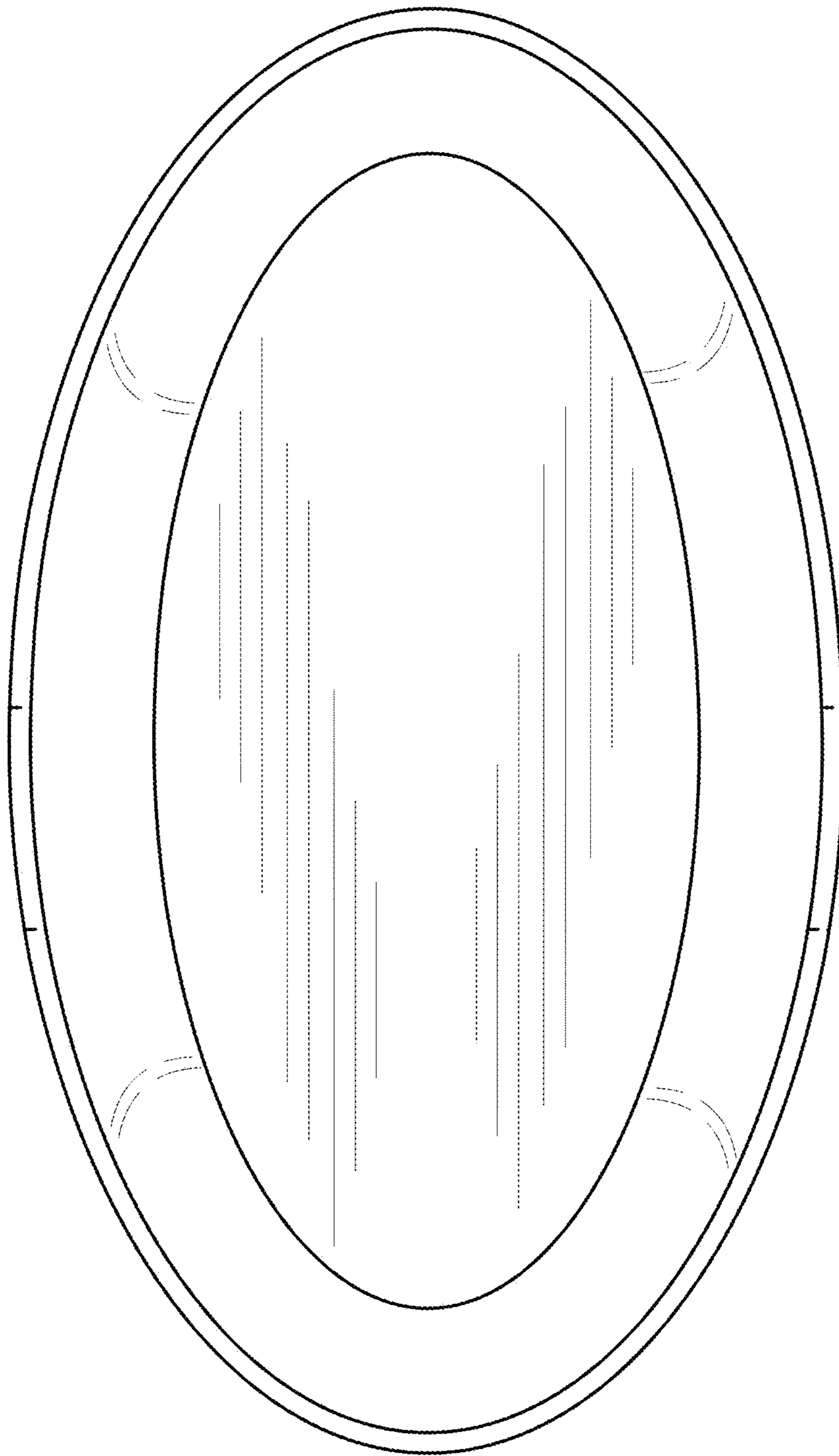


FIG. 7