



US00D870580S

(12) **United States Design Patent** (10) **Patent No.:** **US D870,580 S**
Yokono (45) **Date of Patent:** **** Dec. 24, 2019**

(54) **SCALE**

(58) **Field of Classification Search**
USPC D10/83, 91, 87, 88
See application file for complete search history.

(71) Applicant: **TERAOKA SEIKO CO., LTD.**, Tokyo (JP)

(56) **References Cited**

U.S. PATENT DOCUMENTS

(72) Inventor: **Syuusaku Yokono**, Tokyo (JP)

D371,311 S	*	7/1996	Mimoto	D10/91
D480,655 S	*	10/2003	Medugorac	D10/91
D556,069 S	*	11/2007	Medugorac	D10/91
D591,625 S	*	5/2009	Taylor	D10/91
D796,360 S	*	9/2017	Schulz	D10/83
D847,674 S	*	5/2019	Matsumiya	D10/83
D847,675 S	*	5/2019	Matsumiya	D10/83
D847,676 S	*	5/2019	Matsumiya	D10/83
D848,882 S	*	5/2019	Matsumiya	D10/83

(73) Assignee: **TERAOKA SEIKO CO., LTD.**, Tokyo (JP)

(**) Term: **15 Years**

* cited by examiner

(21) Appl. No.: **35/506,039**

Primary Examiner — George D. Kirschbaum
(74) *Attorney, Agent, or Firm* — Greenblum & Bernstein, P.L.C.

(22) Filed: **May 21, 2018**

(57) **CLAIM**

The ornamental design for a scale, as shown and described.

(80) **Hague Agreement Data**

DESCRIPTION

Int. Filing Date: **May 21, 2018**
Int. Reg. No.: **DM/103556**
Int. Reg. Date: **May 21, 2018**
Int. Reg. Pub. Date: **Nov. 16, 2018**

- 1. Scale
- 1.1 : Front
- 1.2 : Back
- 1.3 : Top
- 1.4 : Left
- 1.5 : Right
- 1.6 : Perspective
- 1.7 : Perspective
- 1.8 : Perspective
- 1.9 : Perspective

(30) **Foreign Application Priority Data**

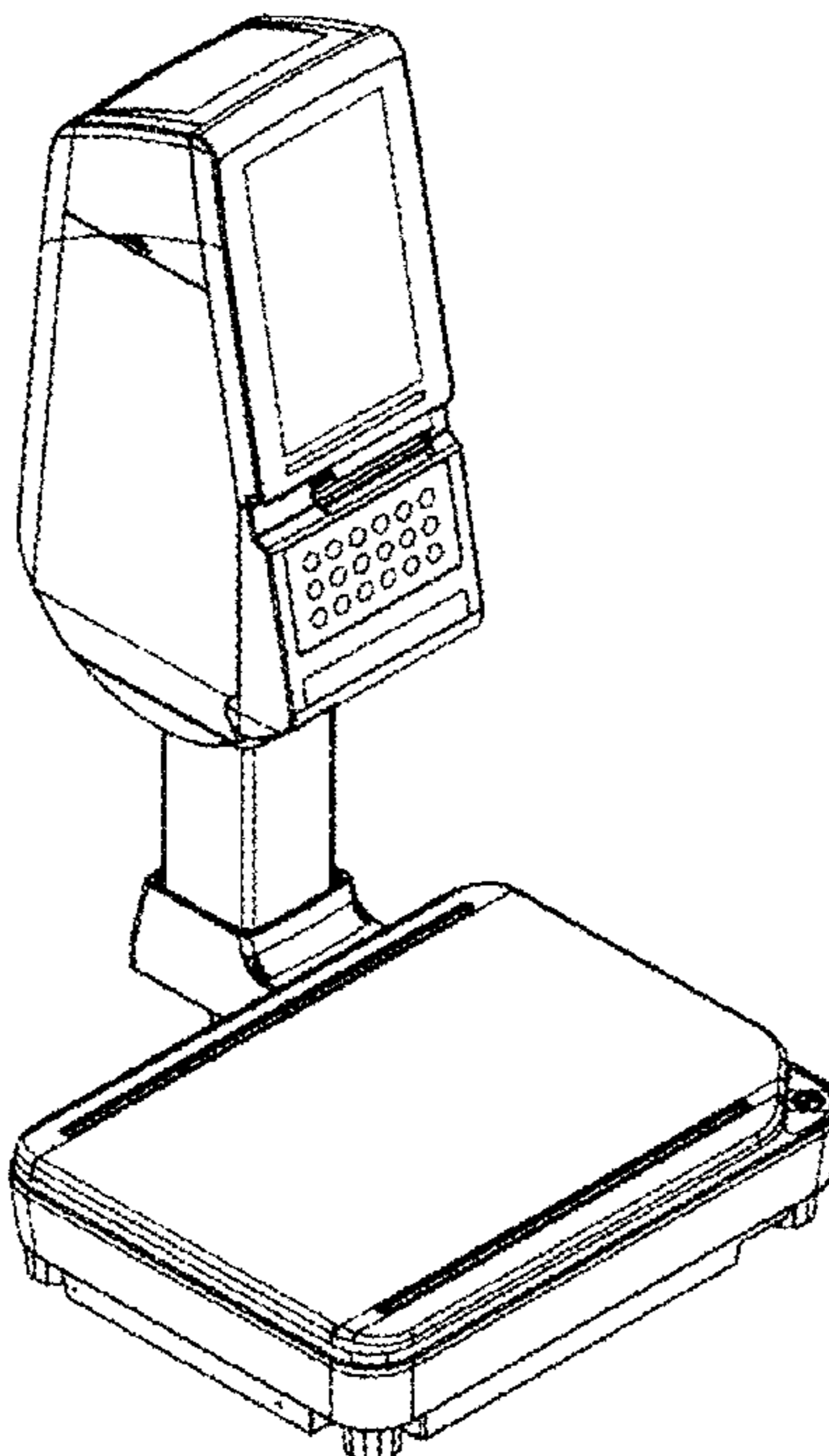
Nov. 27, 2017 (JP) 2017-026302

A bottom view of the scale is omitted and does not form a part of the claimed design.

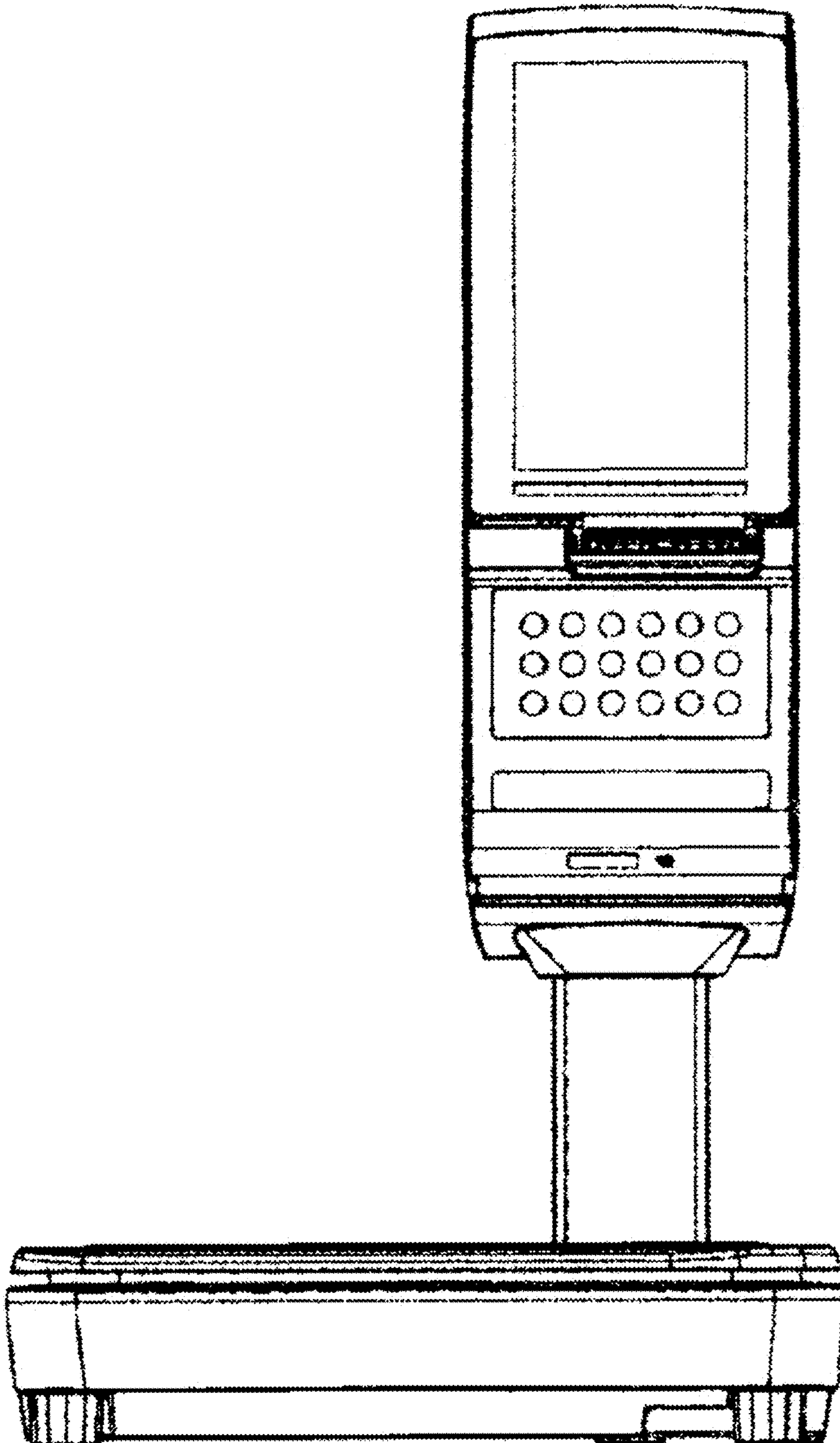
(51) **LOC (12) Cl.** **10-04**

(52) **U.S. Cl.**
USPC **D10/91**

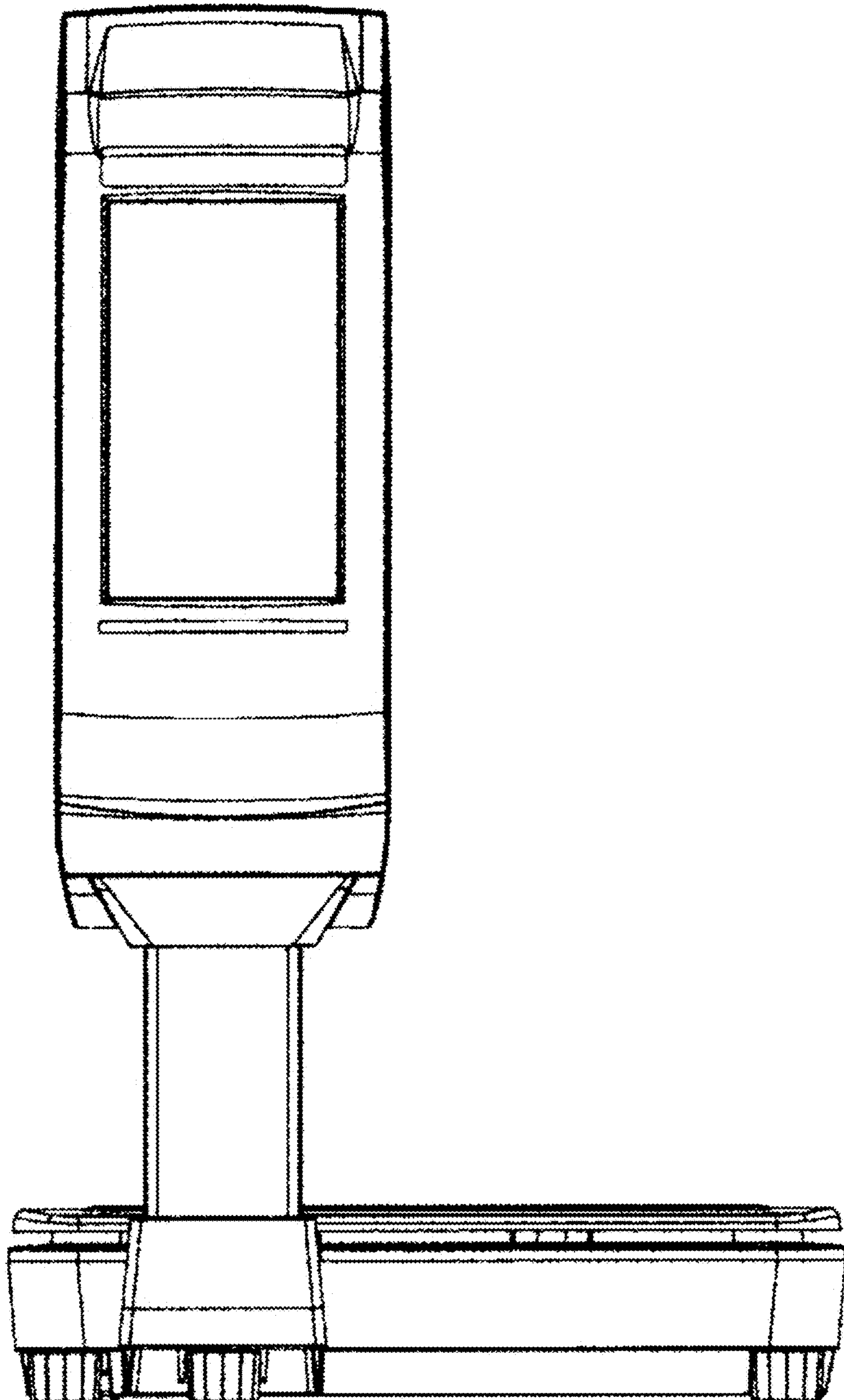
1 Claim, 9 Drawing Sheets



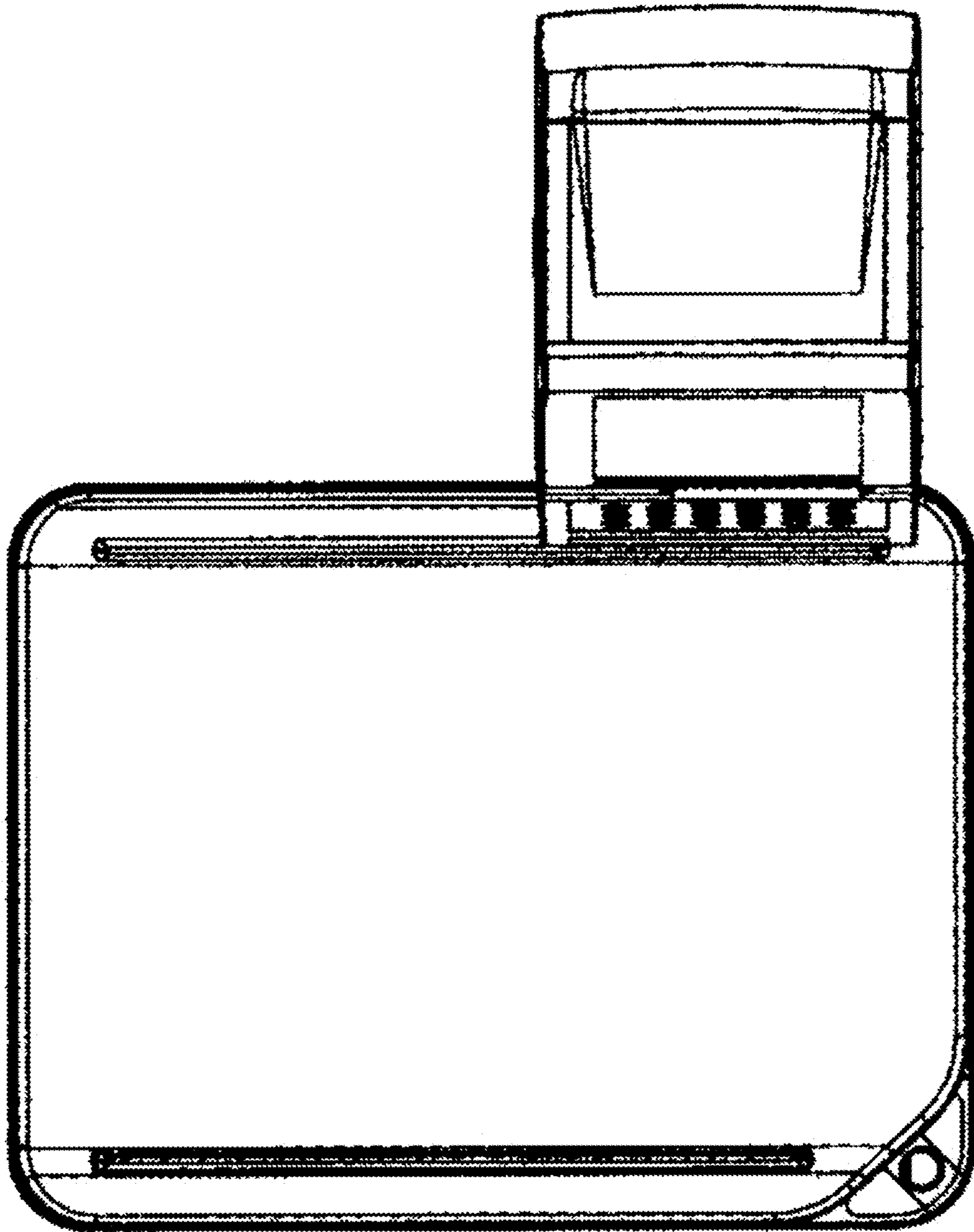
1.1



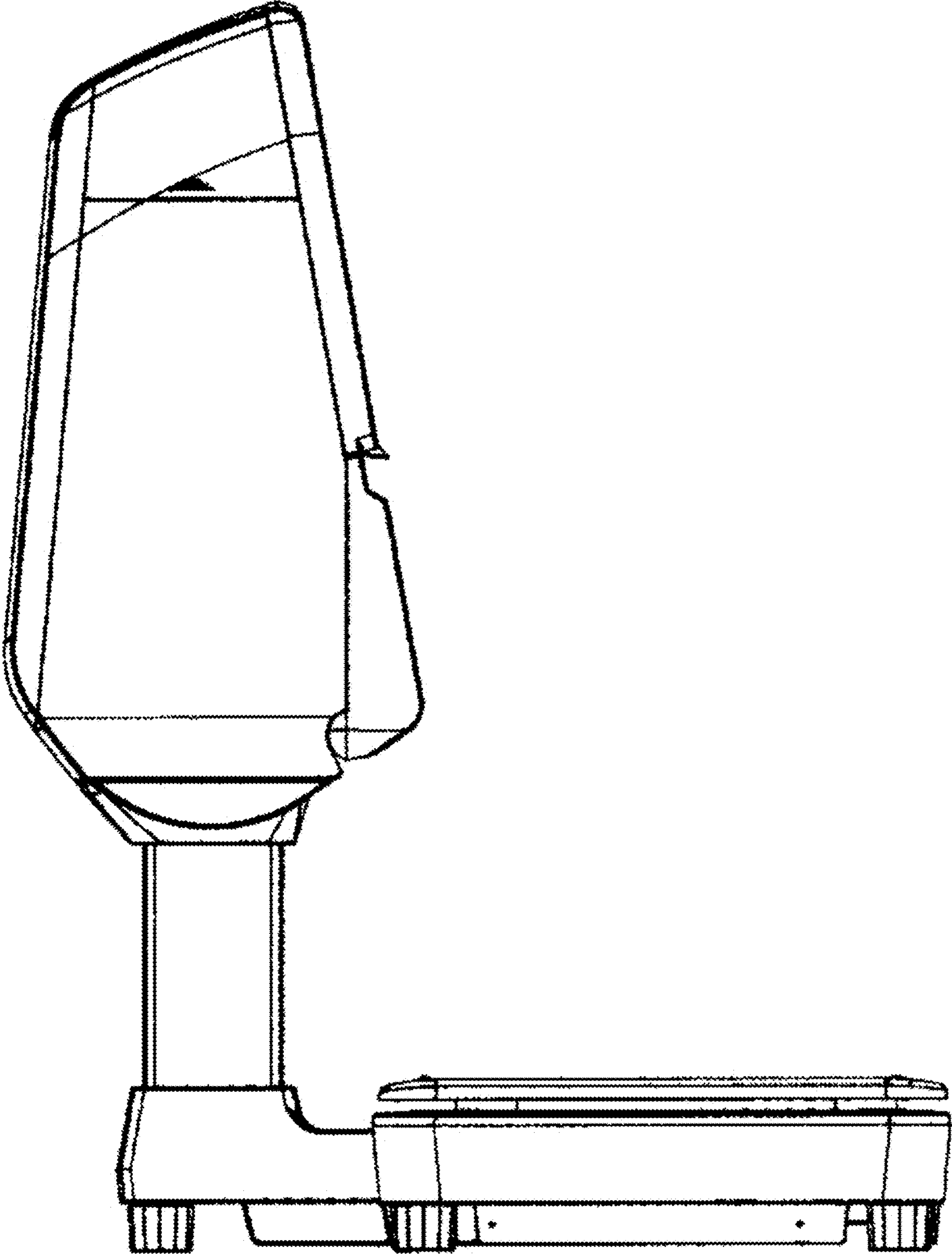
1.2



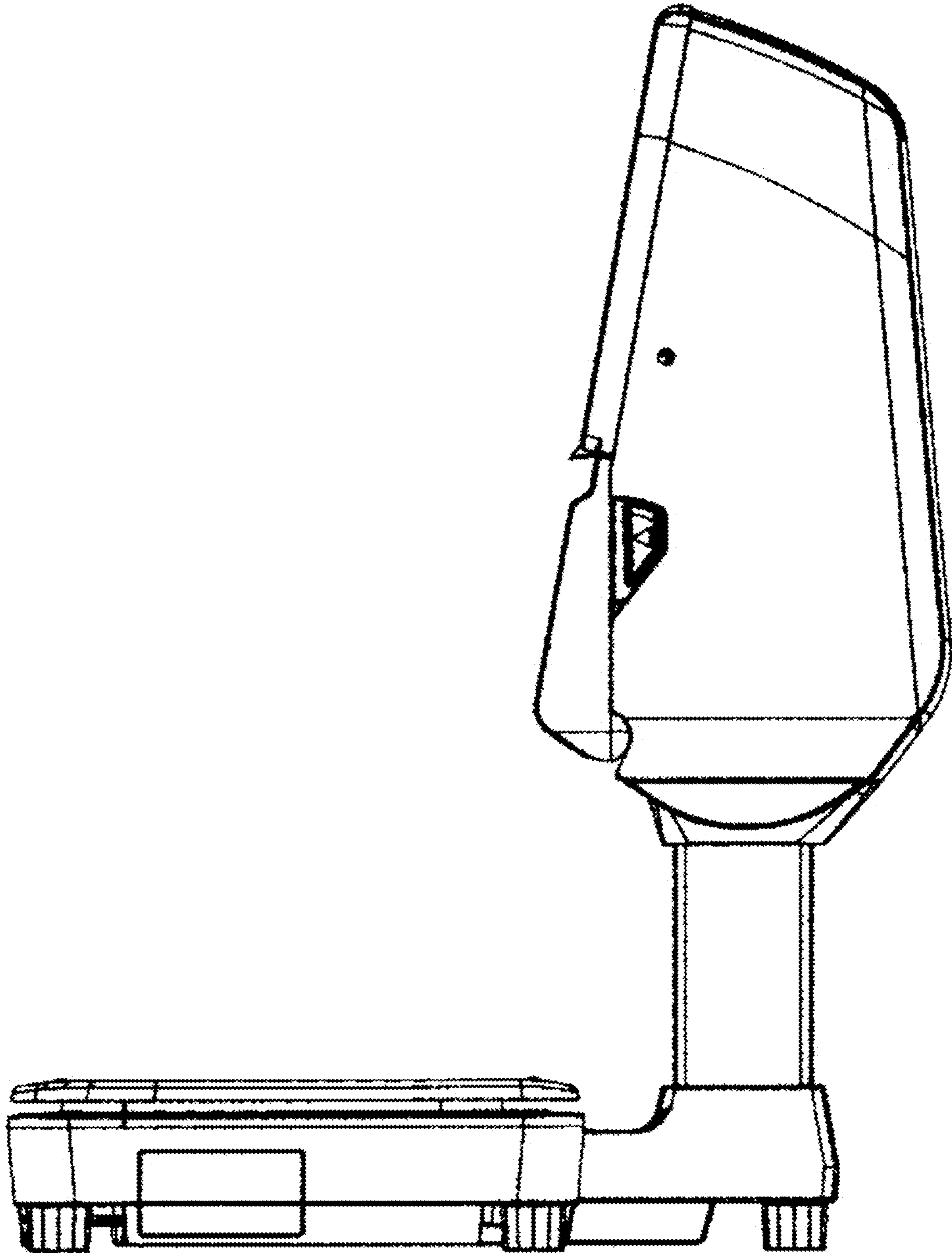
1.3



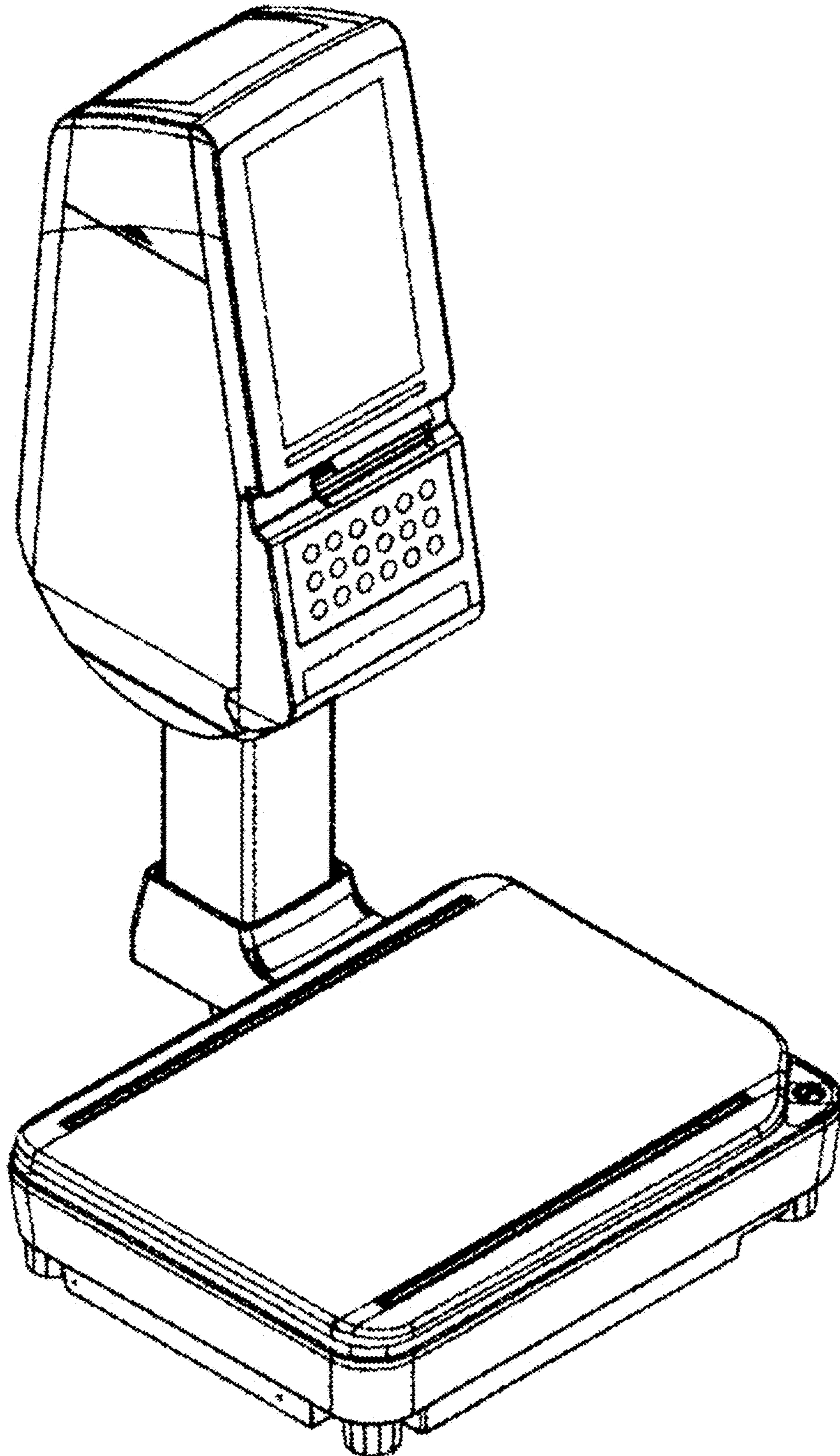
1.4



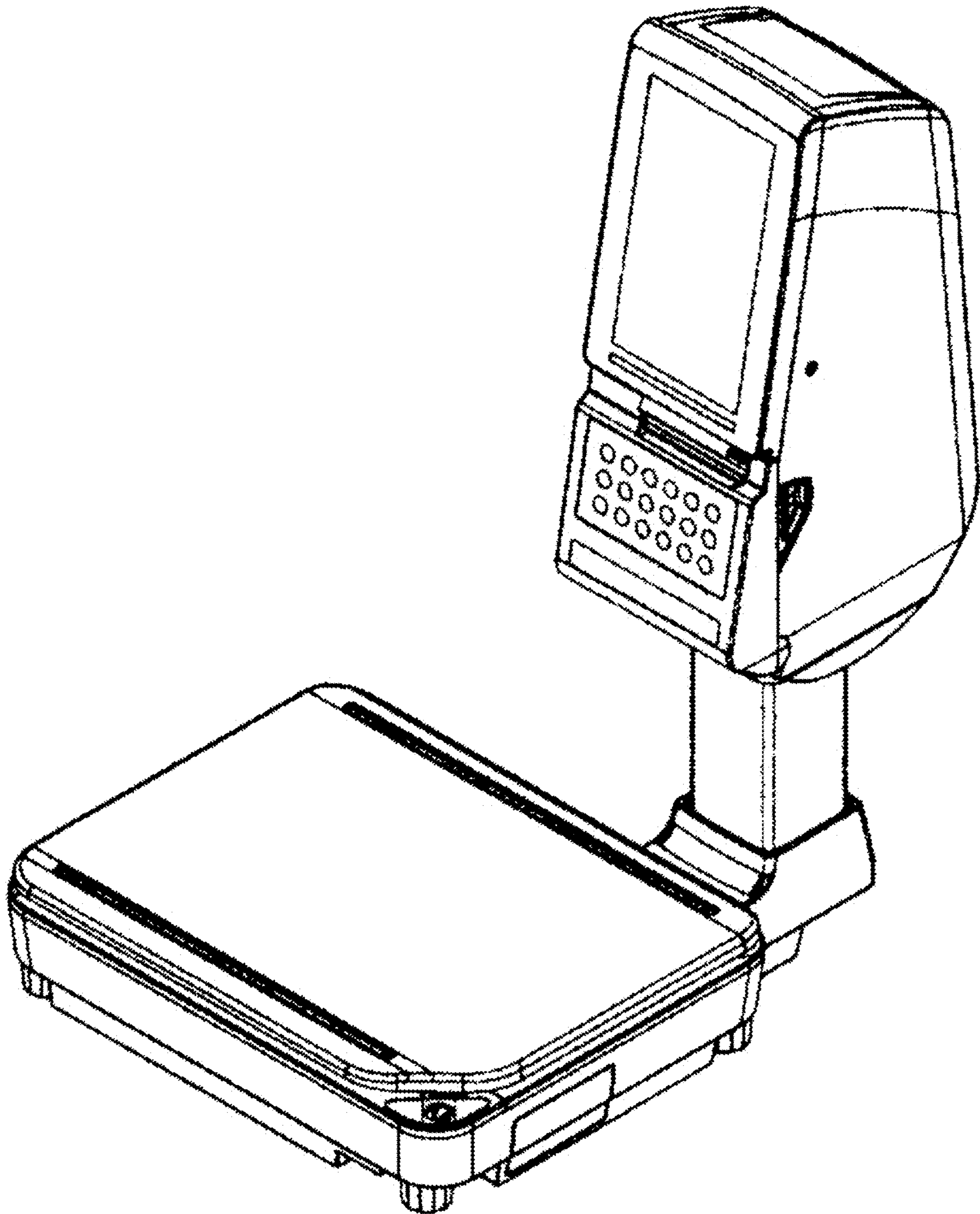
1.5



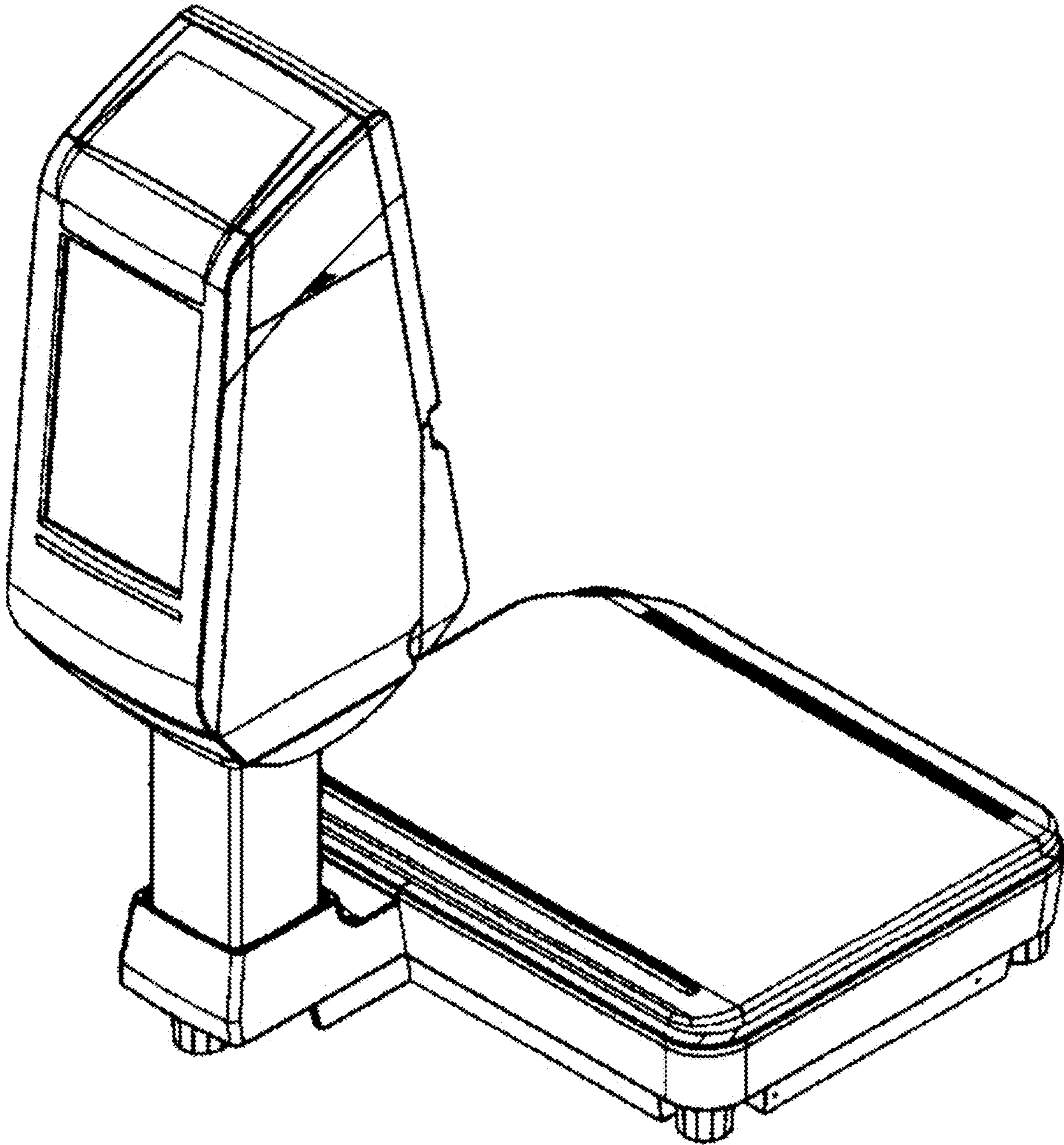
1.6



1.7



1.8



1.9

