

US00D870575S

(12) **United States Design Patent**  
**Lanman et al.**

(10) **Patent No.:** **US D870,575 S**

(45) **Date of Patent:** **\*\* Dec. 24, 2019**

(54) **MULTI-COUNTERFEIT DETECTION STATION**

(71) Applicants: **John Lanman**, Naperville, IL (US);  
**Ivelisse Gomez**, Wheeling, IL (US);  
**Kevin Schroer**, Grayslake, IL (US)

(72) Inventors: **John Lanman**, Naperville, IL (US);  
**Ivelisse Gomez**, Wheeling, IL (US);  
**Kevin Schroer**, Grayslake, IL (US)

(73) Assignee: **BLOCK AND COMPANY, INC.**,  
Wheeling, IL (US)

(\*\*) Term: **15 Years**

(21) Appl. No.: **29/658,795**

(22) Filed: **Aug. 2, 2018**

(51) **LOC (12) Cl.** ..... **10-05**

(52) **U.S. Cl.**  
USPC ..... **D10/75; D18/3.1**

(58) **Field of Classification Search**  
USPC ..... D18/2, 3.1, 3.2, 3.3, 4.1, 12.1; D14/356,  
D14/363, 365, 367, 368, 370, 383, 496,  
D14/125, 240, 242, 299, 167, 168;  
D10/97, 103, 45, 104.1, 75  
CPC ..... G07D 7/12; G07D 7/121; G07D 7/128;  
G07D 7/005; G07D 7/04; G07D 5/00;  
G07D 5/08

See application file for complete search history.

(56) **References Cited**

**U.S. PATENT DOCUMENTS**

D92,699 S \* 7/1934 Budlong ..... D18/2  
D141,985 S \* 8/1945 Ramsay ..... D18/4.1  
3,618,765 A \* 11/1971 Cooper ..... G07D 7/04  
209/534  
D271,136 S \* 10/1983 Bollinger ..... D10/75  
D275,659 S \* 9/1984 Hackmack ..... D10/75

D281,401 S \* 11/1985 Perrins ..... D10/106.1  
D289,871 S \* 5/1987 Besford ..... D14/125  
D294,711 S \* 3/1988 Williams ..... D18/12.1  
5,014,325 A \* 5/1991 Moritomo ..... G06K 9/186  
340/5.86  
D351,154 S \* 10/1994 Fujino ..... D14/125  
D368,862 S \* 4/1996 Roberts ..... D10/46  
D376,246 S \* 12/1996 Sugawara ..... D99/28  
D396,856 S \* 8/1998 Oba ..... D14/125  
D477,350 S \* 7/2003 Gonzalez ..... D18/3.1  
D477,836 S \* 7/2003 Balog ..... D18/4.5  
D573,047 S \* 7/2008 Chen ..... D10/75  
D573,049 S \* 7/2008 Chen ..... D10/75  
D573,495 S \* 7/2008 Chen ..... D10/75  
D585,311 S \* 1/2009 Malhi ..... D10/46  
D599,751 S \* 9/2009 Zhang ..... D14/125  
D618,273 S \* 6/2010 Sato ..... D18/4.4  
D635,532 S \* 4/2011 Sung ..... D14/125  
D666,514 S \* 9/2012 Haas ..... D10/78  
D779,149 S \* 2/2017 Chap ..... D18/4.4

(Continued)

*Primary Examiner* — Marie D. Fast Horse

(74) *Attorney, Agent, or Firm* — Husch Blackwell LLP

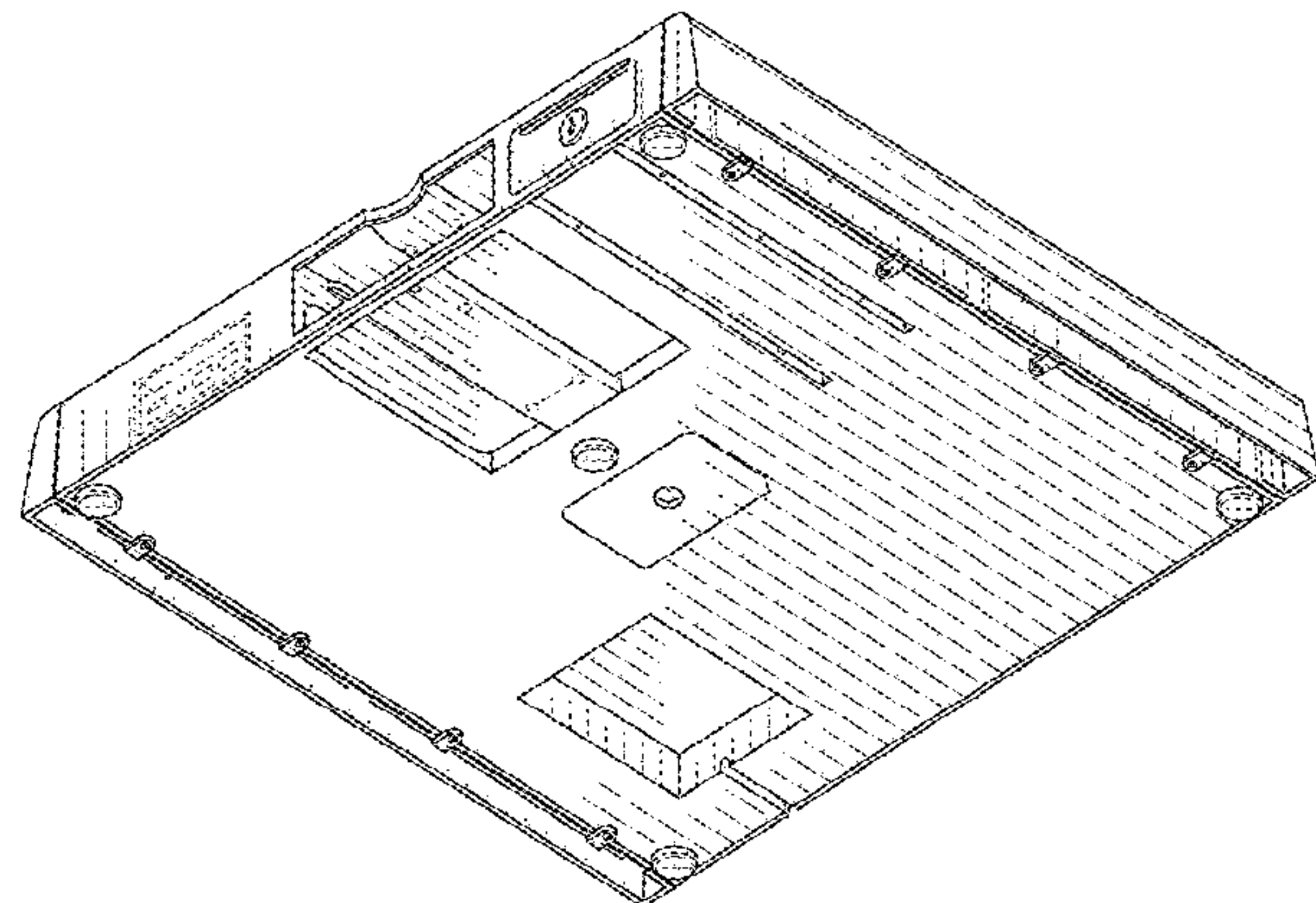
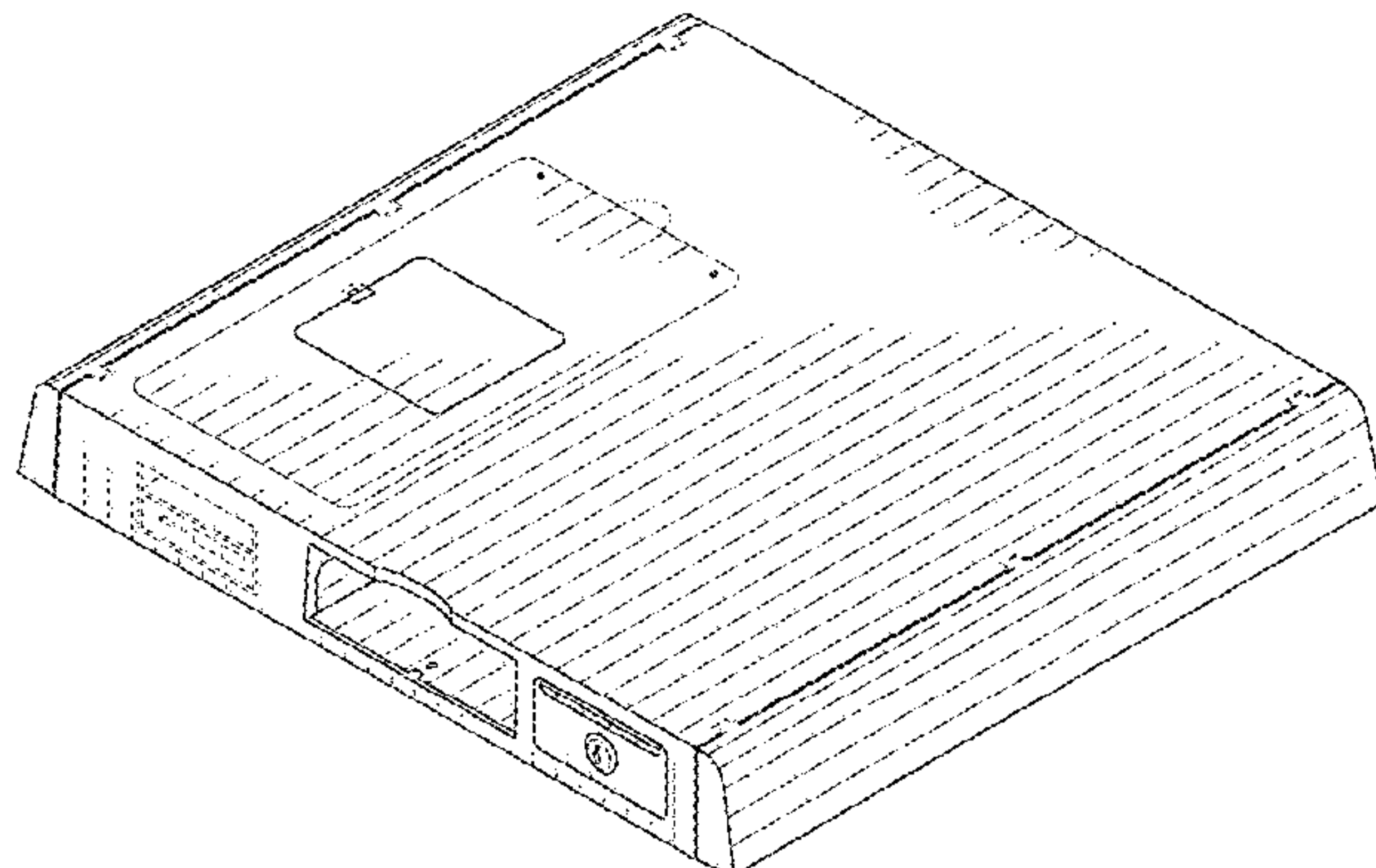
(57) **CLAIM**

The ornamental design for the multi-counterfeit detection station, as shown and described.

**DESCRIPTION**

FIG. 1. is a perspective view of the multi-counterfeit detection station of the subject design;  
FIG. 2 is a front elevation view thereof;  
FIG. 3. is a rear elevation view thereof.  
FIG. 4. is a left-side elevation view thereof, the opposite side being a mirror image thereof;  
FIG. 5. is a top view thereof;  
FIG. 6 is a bottom view thereof; and,  
FIG. 7 is a bottom perspective thereof.  
The phantom line showing of environment in FIGS. 1, 2, 5, 6 and 7 is for illustrative purposes only.

**1 Claim, 5 Drawing Sheets**



(56)

**References Cited**

U.S. PATENT DOCUMENTS

D815,966	S *	4/2018	Chang	.....	D10/97
D816,526	S *	5/2018	Chang	.....	D10/97
D859,194	S *	9/2019	Drewitt	.....	D10/97
2003/0147065	A1 *	8/2003	Romano	.....	G07D 7/128
					356/71
2004/0035932	A1 *	2/2004	Bailleu	.....	G07D 7/12
					235/454
2004/0218802	A1 *	11/2004	Suzuki	.....	G06Q 20/042
					382/137
2008/0063252	A1 *	3/2008	Dobbs	.....	G07D 7/121
					382/137
2010/0232676	A1 *	9/2010	Lee	.....	G07D 7/128
					382/135
2012/0257189	A1 *	10/2012	Haas	.....	G07D 7/12
					356/51

\* cited by examiner

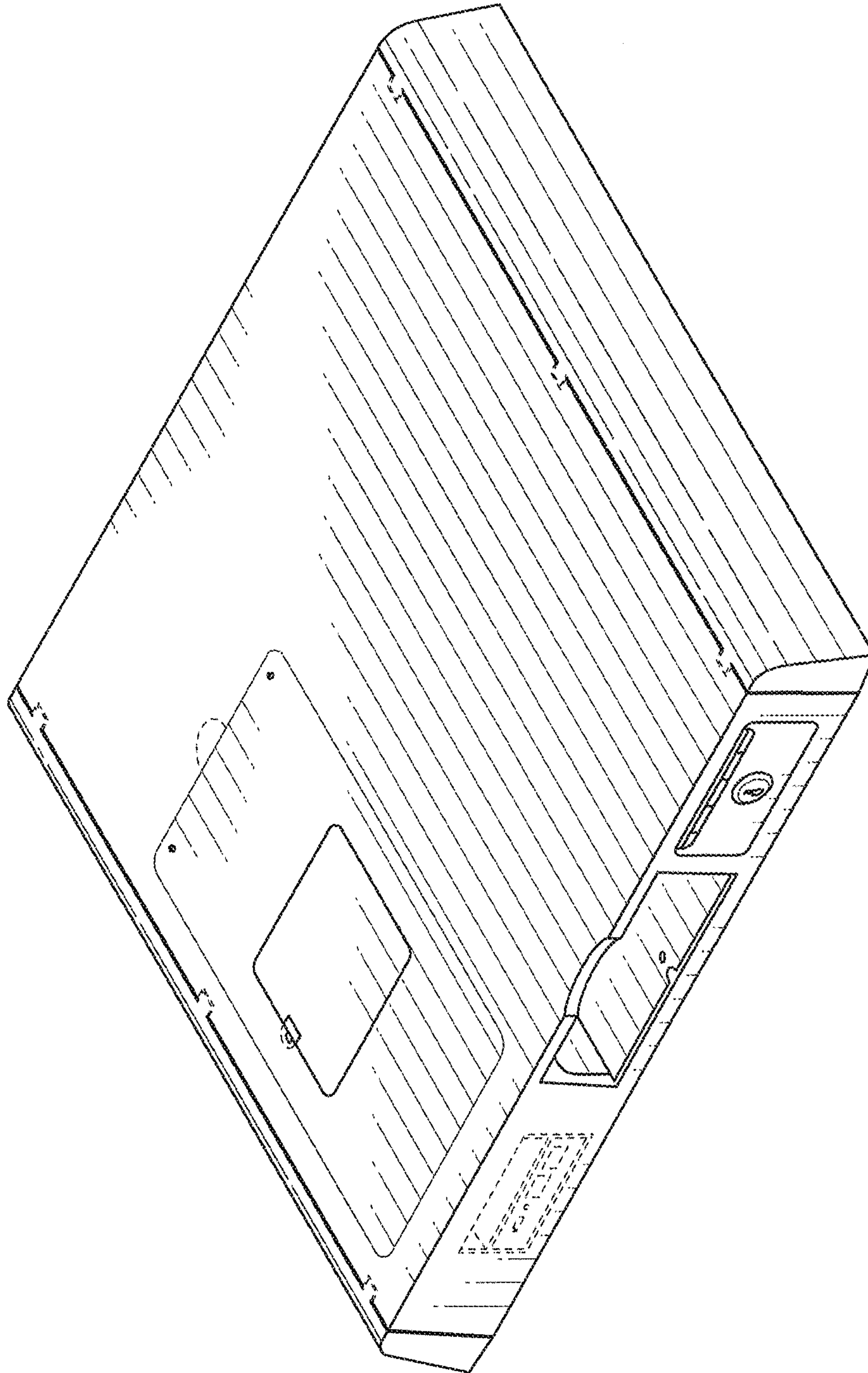


FIG. 1



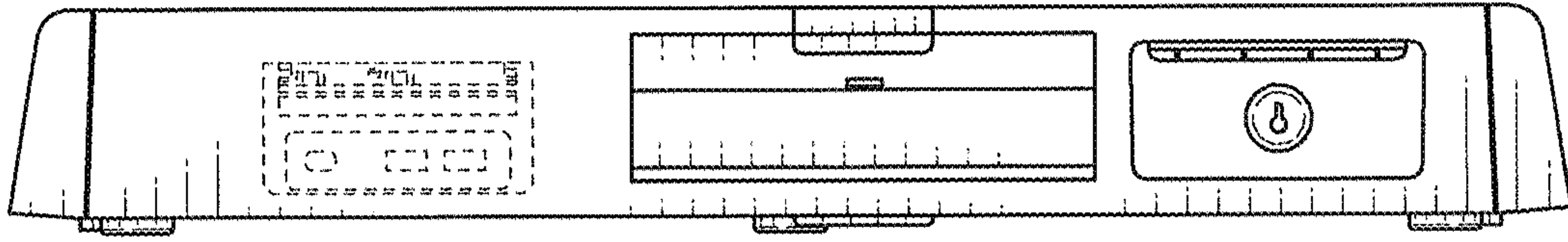


FIG. 2

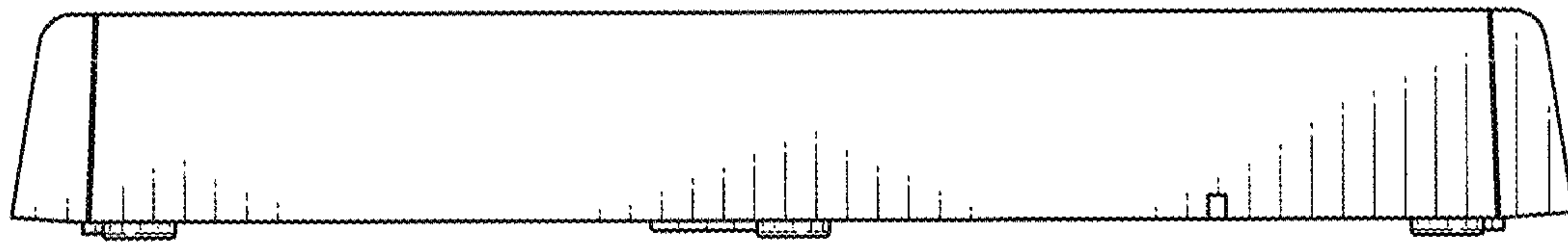


FIG. 3

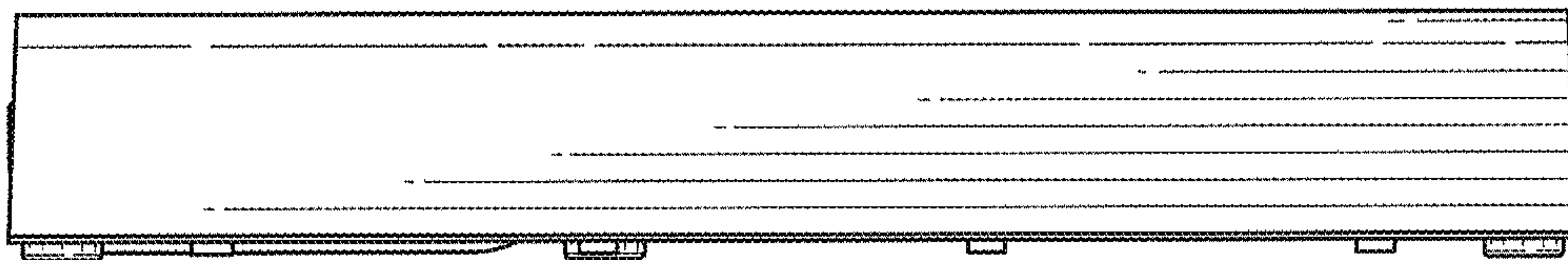


FIG. 4

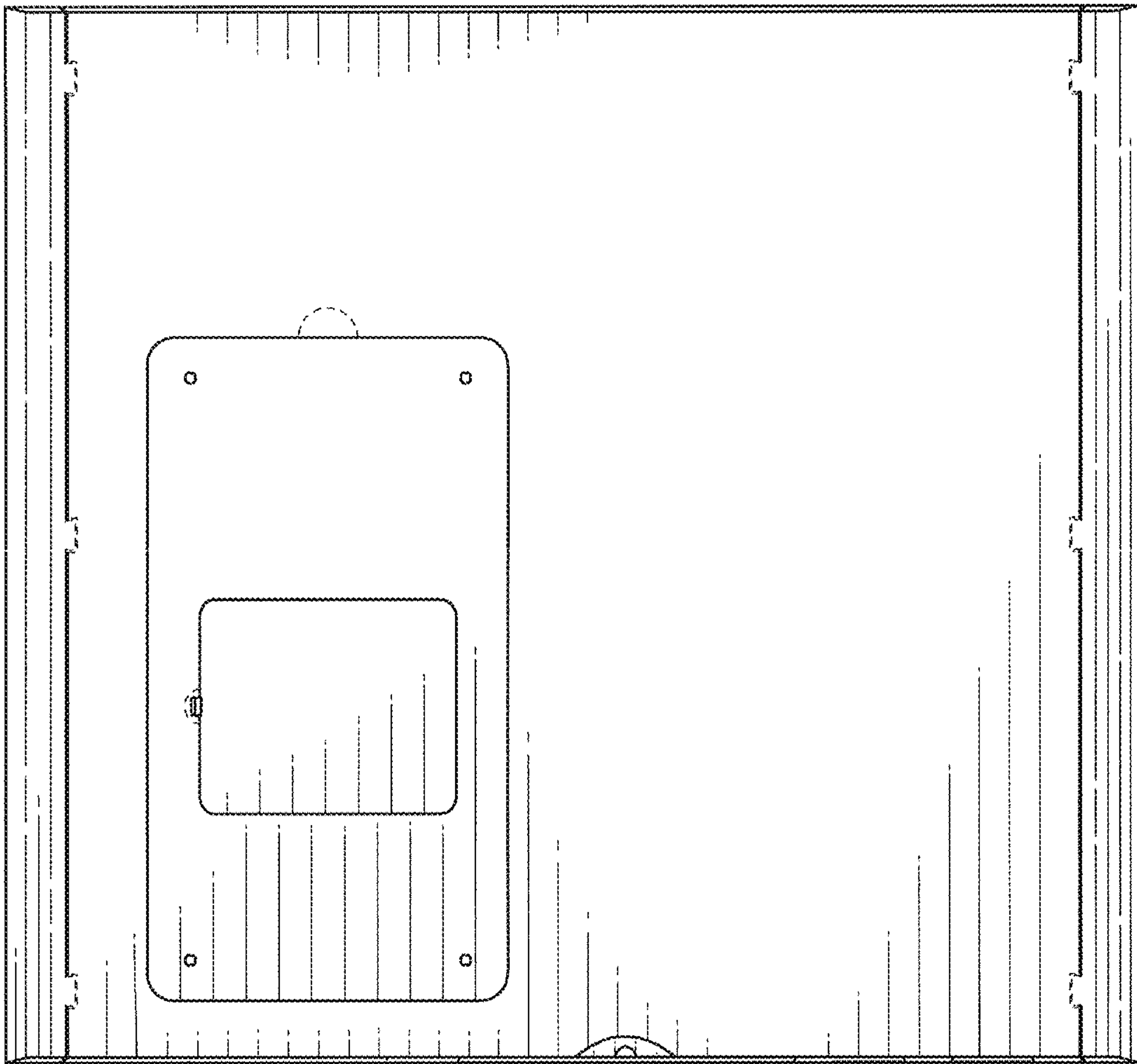


FIG. 5

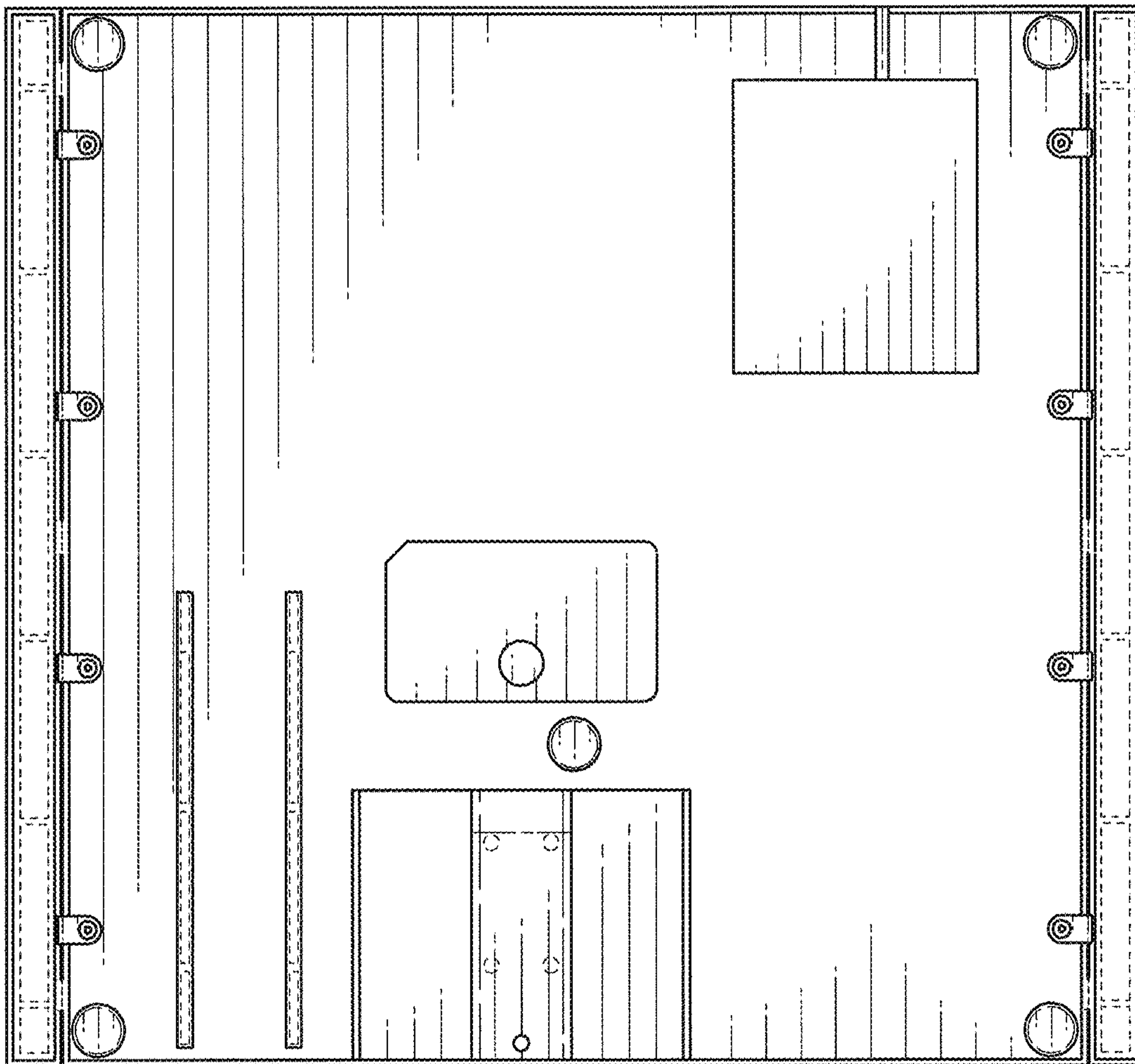


FIG. 6

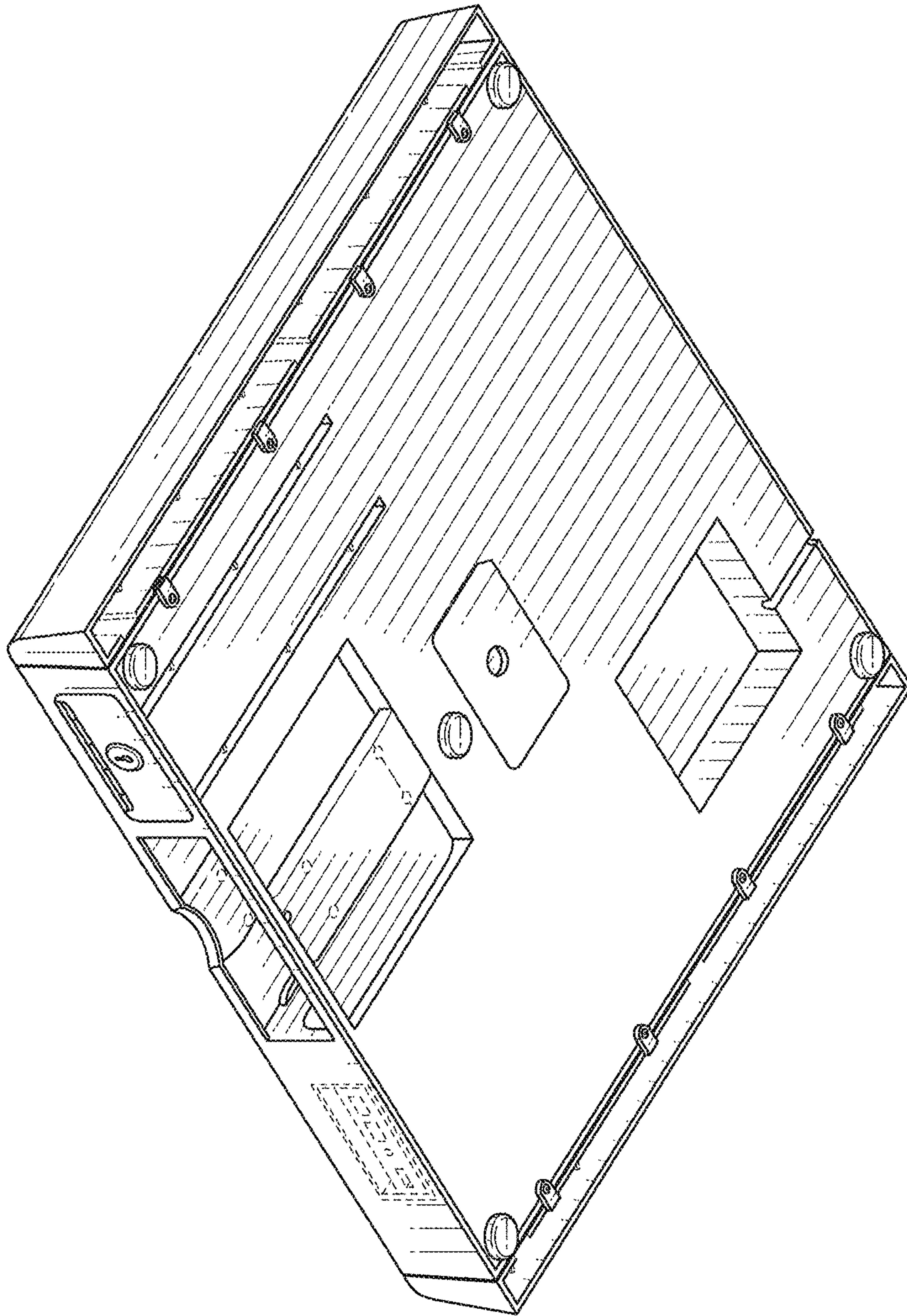


FIG. 7