



US00D870574S

(12) **United States Design Patent**
O'Halloran

(10) **Patent No.:** **US D870,574 S**

(45) **Date of Patent:** **** Dec. 24, 2019**

(54) **WOODWORKING GAUGE**

(71) Applicant: **Woodpeckers, LLC**, Strongsville, OH (US)

(72) Inventor: **Edward Alan O'Halloran**, Elyria, OH (US)

(73) Assignee: **Woodpeckers, LLC**, Strongsville, OH (US)

(**) Term: **15 Years**

(21) Appl. No.: **29/669,262**

(22) Filed: **Nov. 7, 2018**

(51) **LOC (12) Cl.** **10-04**

(52) **U.S. Cl.**
USPC **D10/65**

(58) **Field of Classification Search**
USPC D10/62, 65, 71
CPC B43L 7/027; B43L 7/0275; B43L 7/033;
G01B 3/566
See application file for complete search history.

(56) **References Cited**

U.S. PATENT DOCUMENTS

D305,873 S *	2/1990	Bisson	D10/62
D400,453 S *	11/1998	Holland	D10/65
8,672,286 B2 *	3/2014	Darre	A47G 1/164
				248/476
D820,696 S *	6/2018	Metz	D10/65
2002/0095735 A1 *	7/2002	Yehia	B08B 9/021
				15/104.04

* cited by examiner

Primary Examiner — Randall H Gholson

(74) *Attorney, Agent, or Firm* — Sand, Sebolt & Wernow Co., LPA

(57) **CLAIM**

The ornamental design for a woodworking gauge, as shown and described.

DESCRIPTION

FIG. 1 is a front, top, left side, isometric perspective view of a woodworking gauge in accordance with my design shown in a first position;

FIG. 2 is a front, bottom, right, isometric perspective view thereof;

FIG. 3 is a front elevation view thereof;

FIG. 4 is a rear elevation view thereof;

FIG. 5 is a top plan view thereof;

FIG. 6 is a bottom plan view thereof;

FIG. 7 is a left side elevation view thereof;

FIG. 8 is a right side elevation view thereof;

FIG. 9 is a front, top, left side, isometric perspective view of the woodworking gauge in accordance with my design shown in a second position;

FIG. 10 is a front, bottom, right, isometric perspective view thereof;

FIG. 11 is a front elevation view thereof;

FIG. 12 is a rear elevation view thereof;

FIG. 13 is a top plan view thereof;

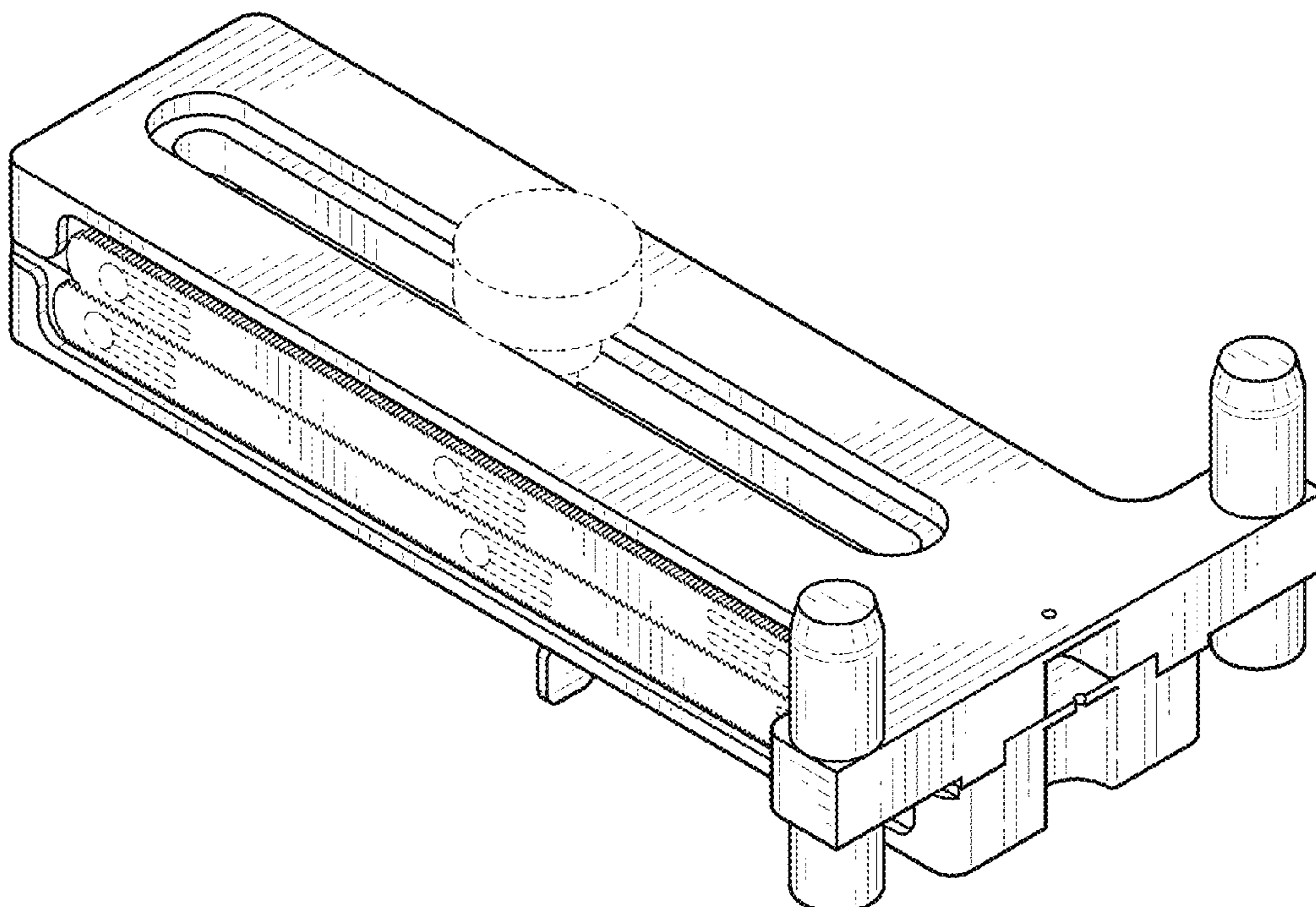
FIG. 14 is a bottom plan view thereof;

FIG. 15 is a left side elevation view thereof; and,

FIG. 16 is a right side elevation view thereof.

The broken lines illustrate portions of the woodworking gauge which form no part of the claimed design.

1 Claim, 12 Drawing Sheets



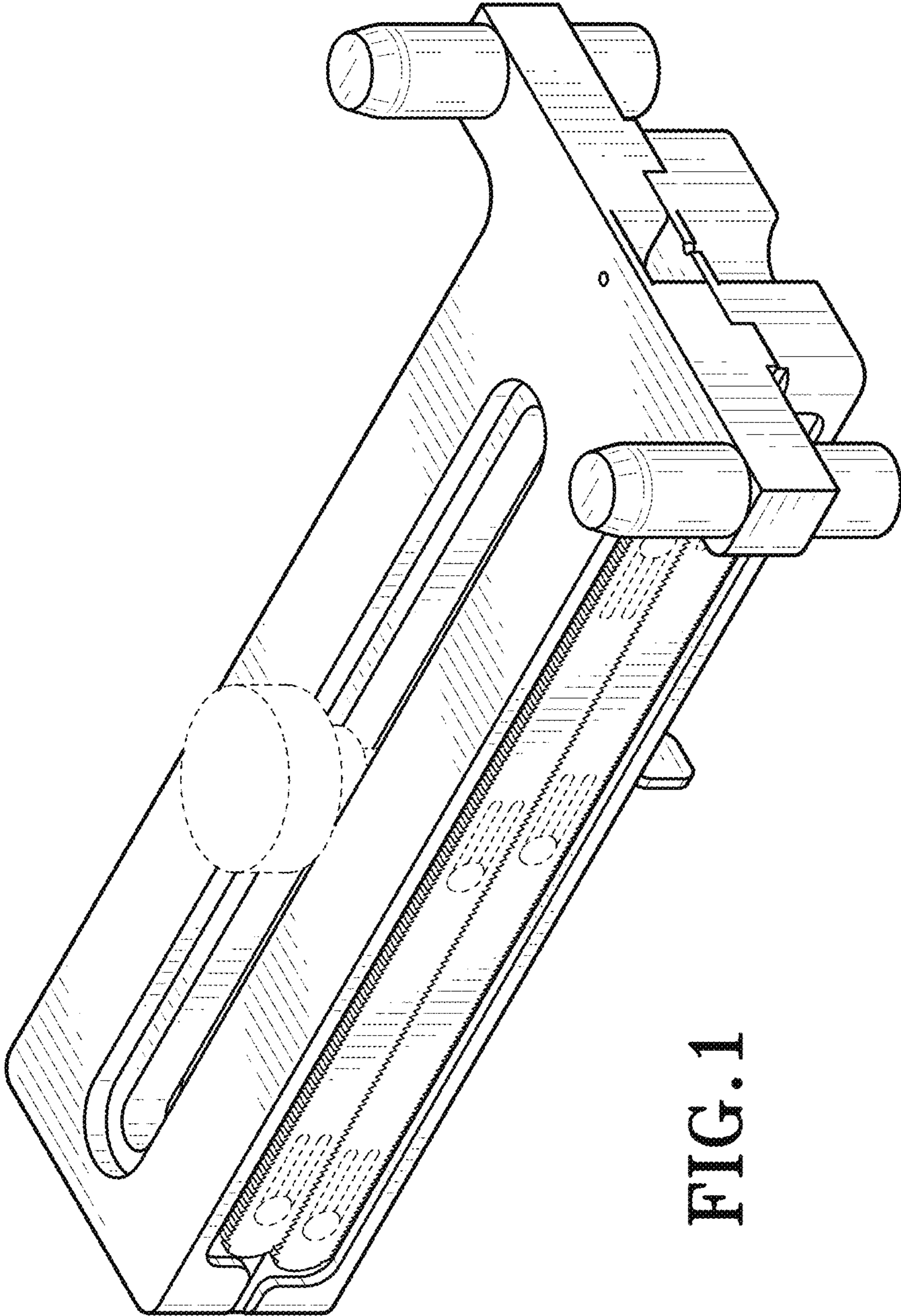


FIG. 1

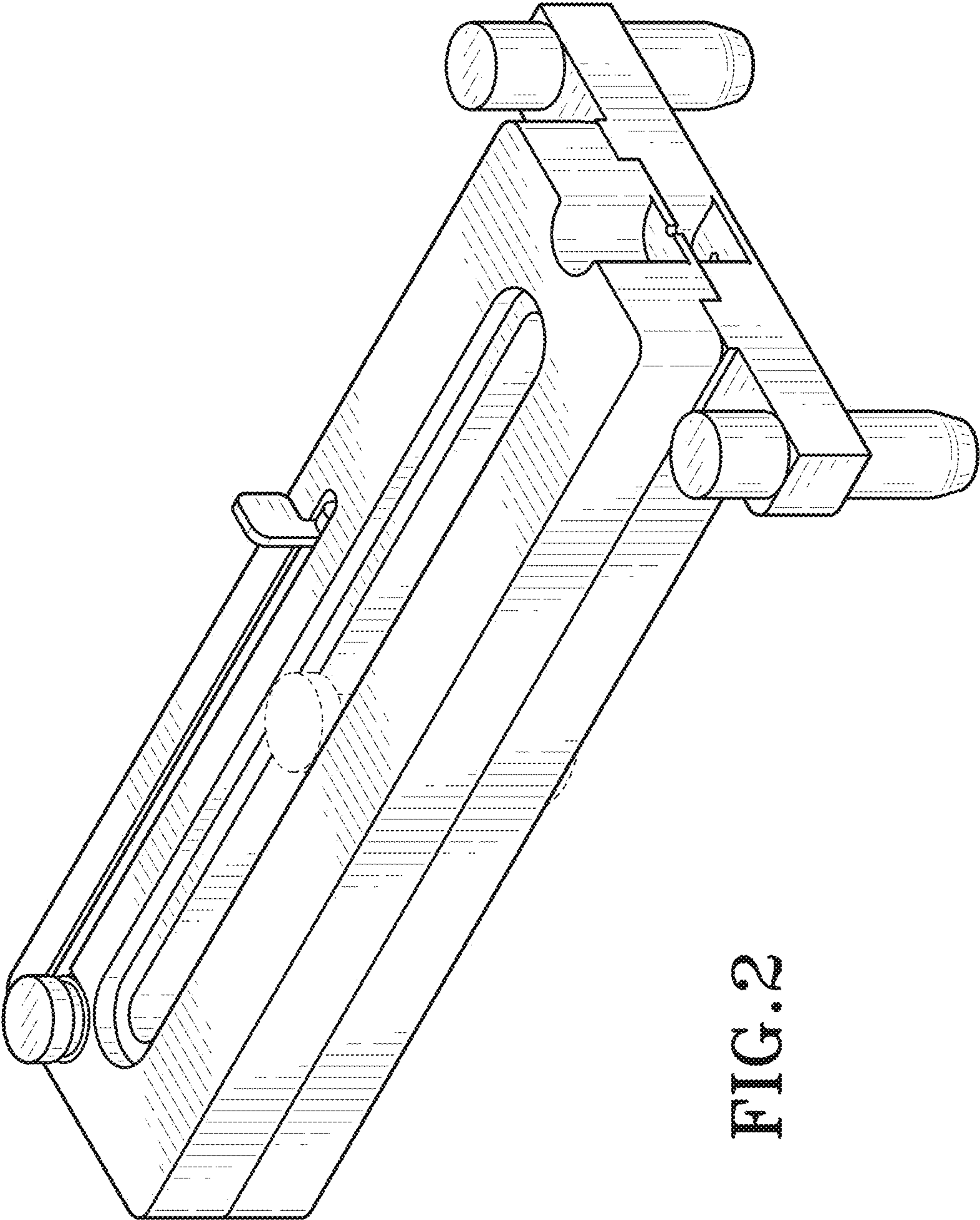


FIG. 2

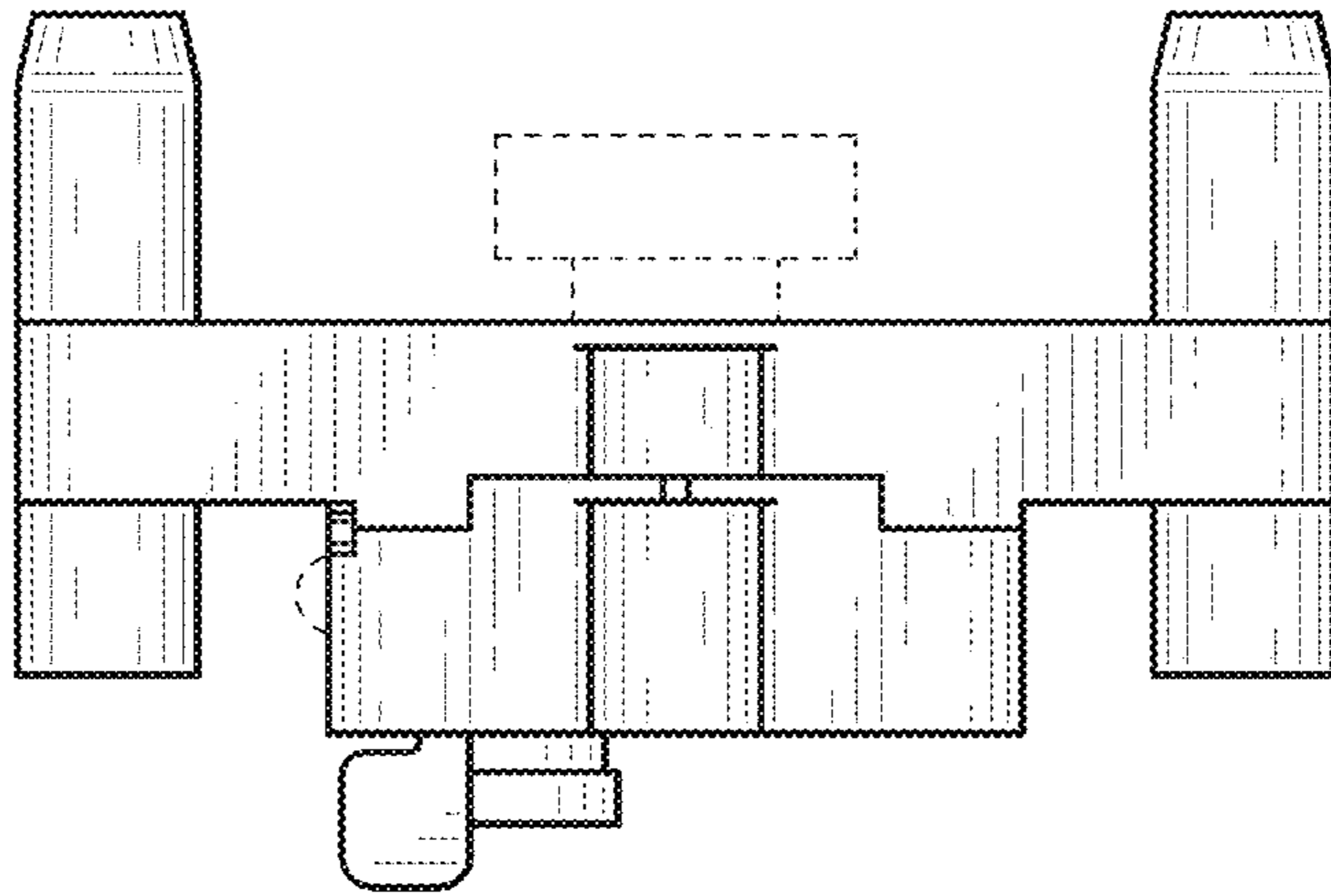


FIG. 3

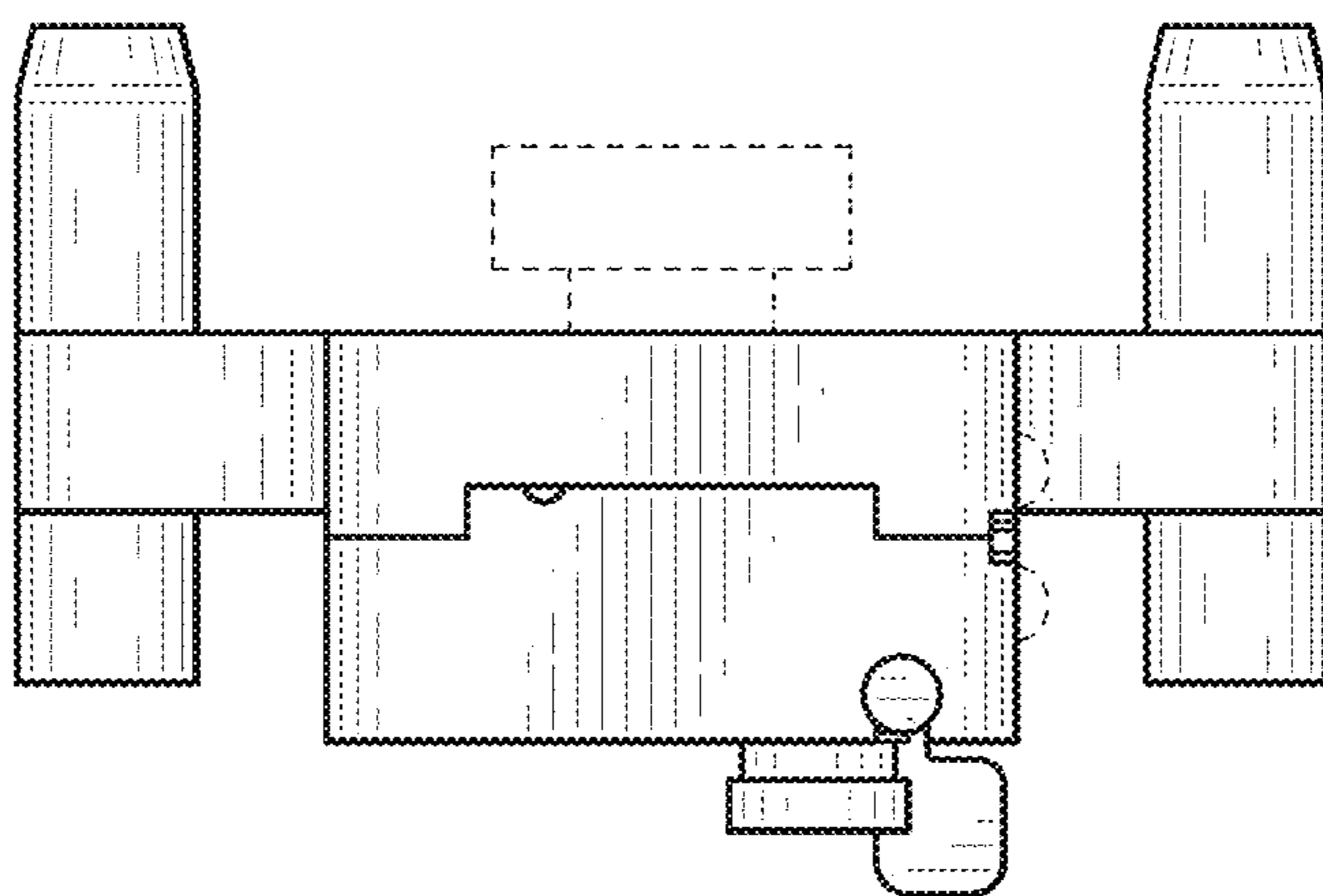


FIG. 4

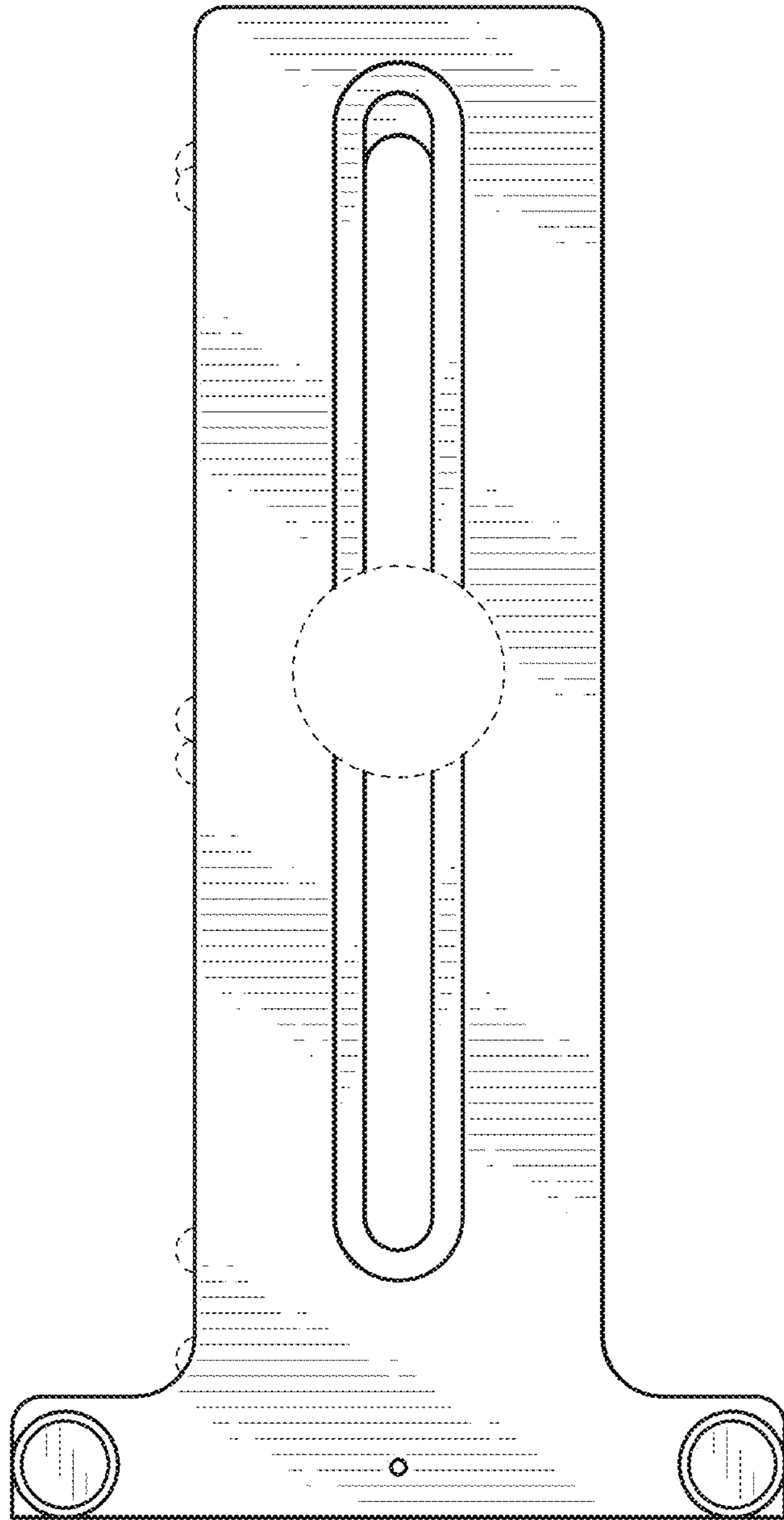


FIG. 5

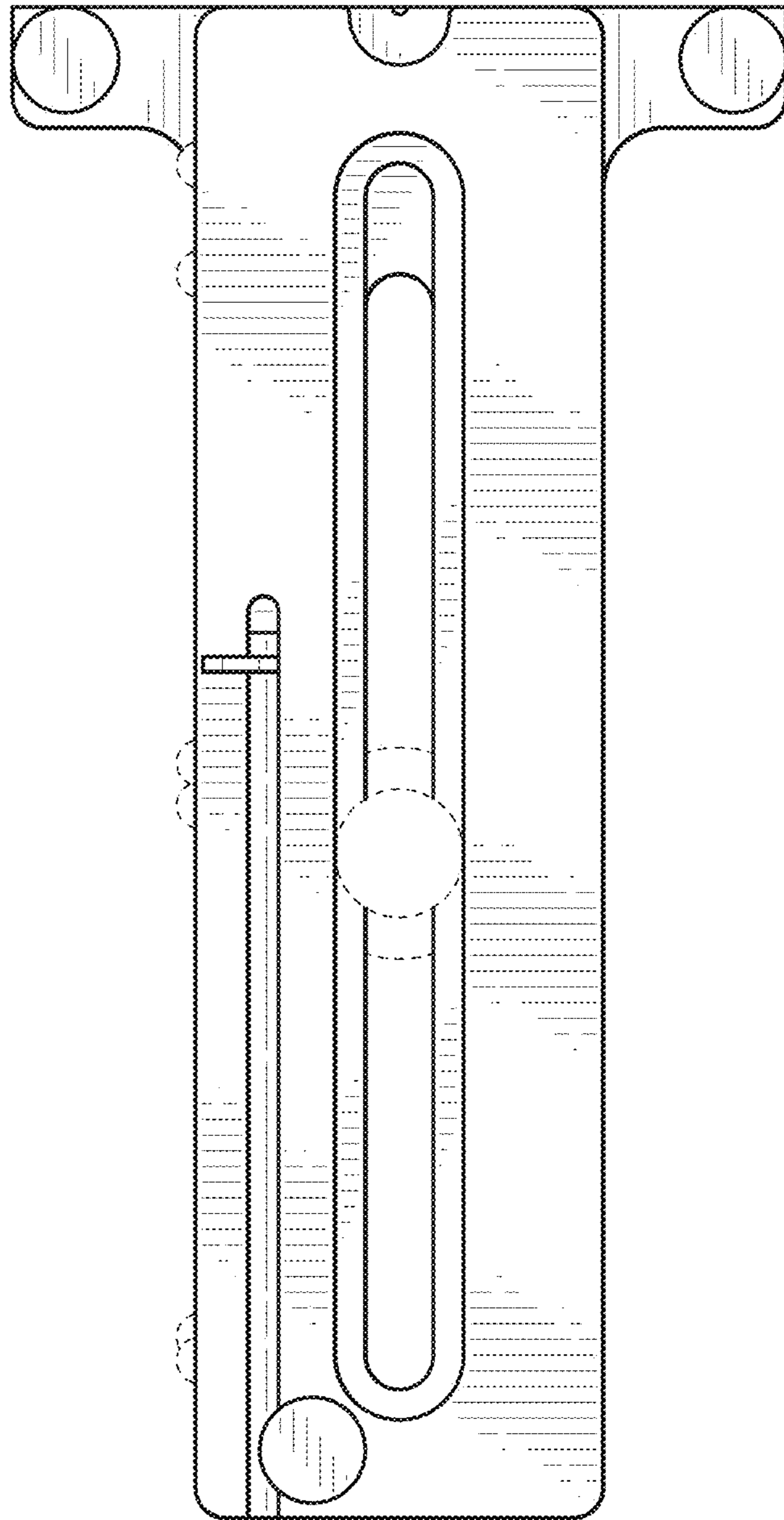


FIG. 6

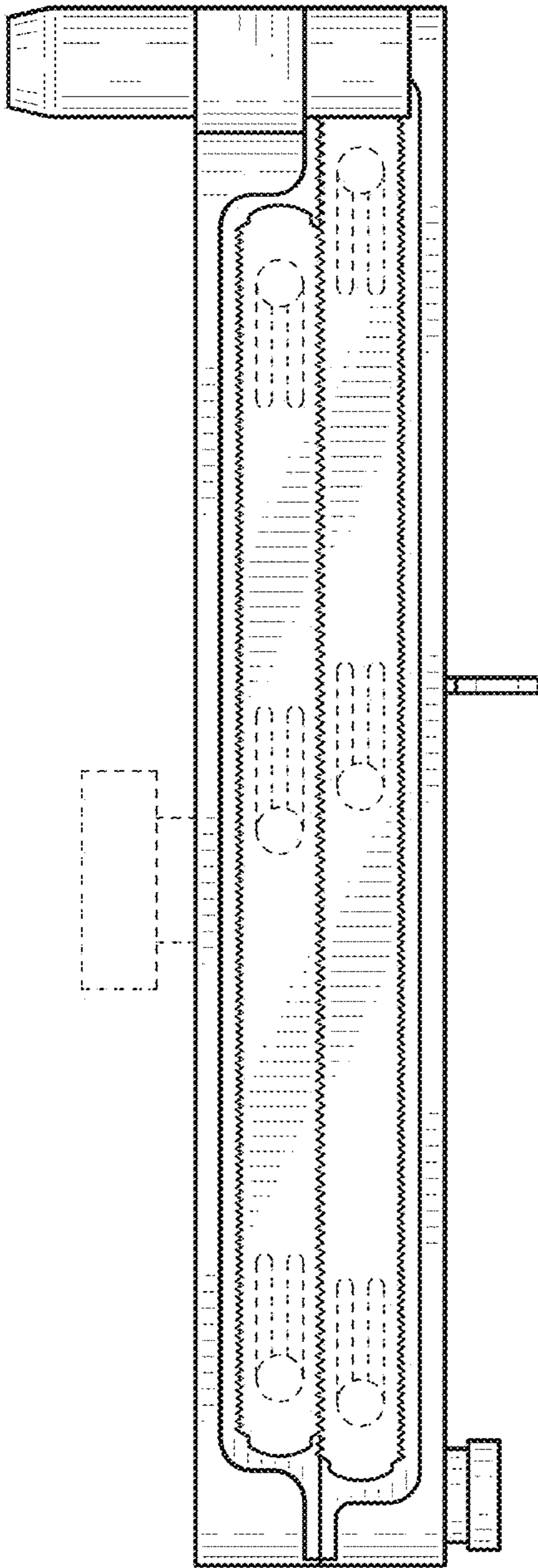


FIG. 7

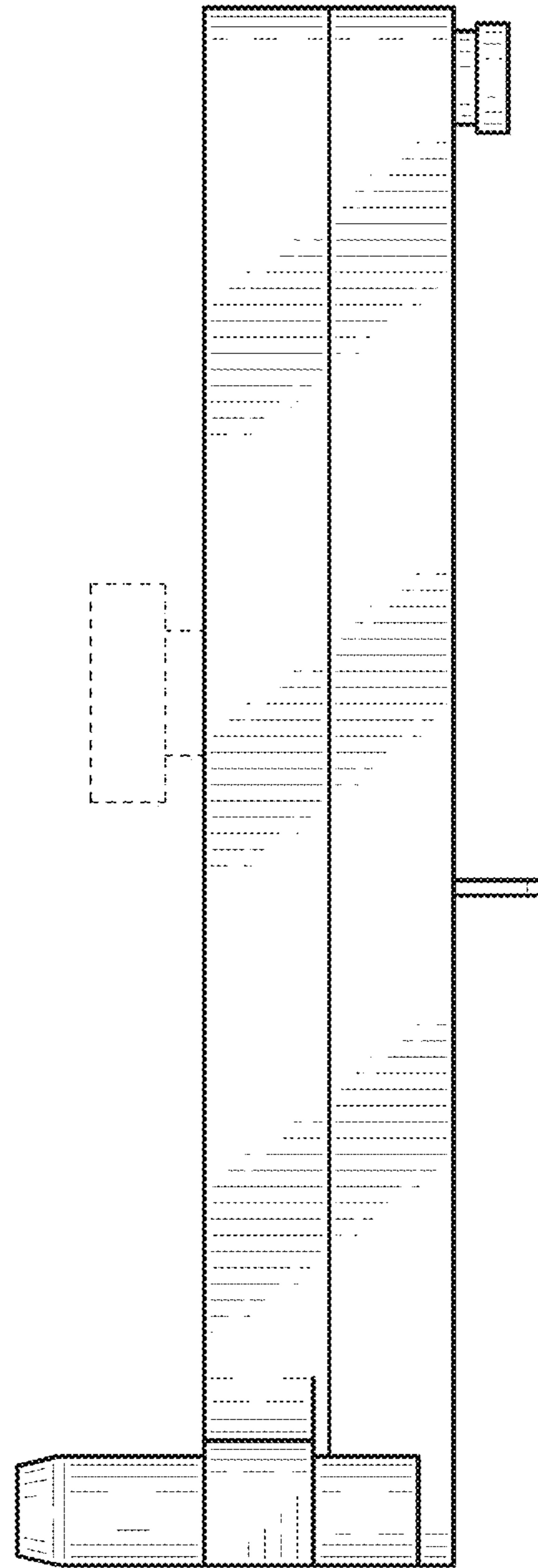


FIG. 8

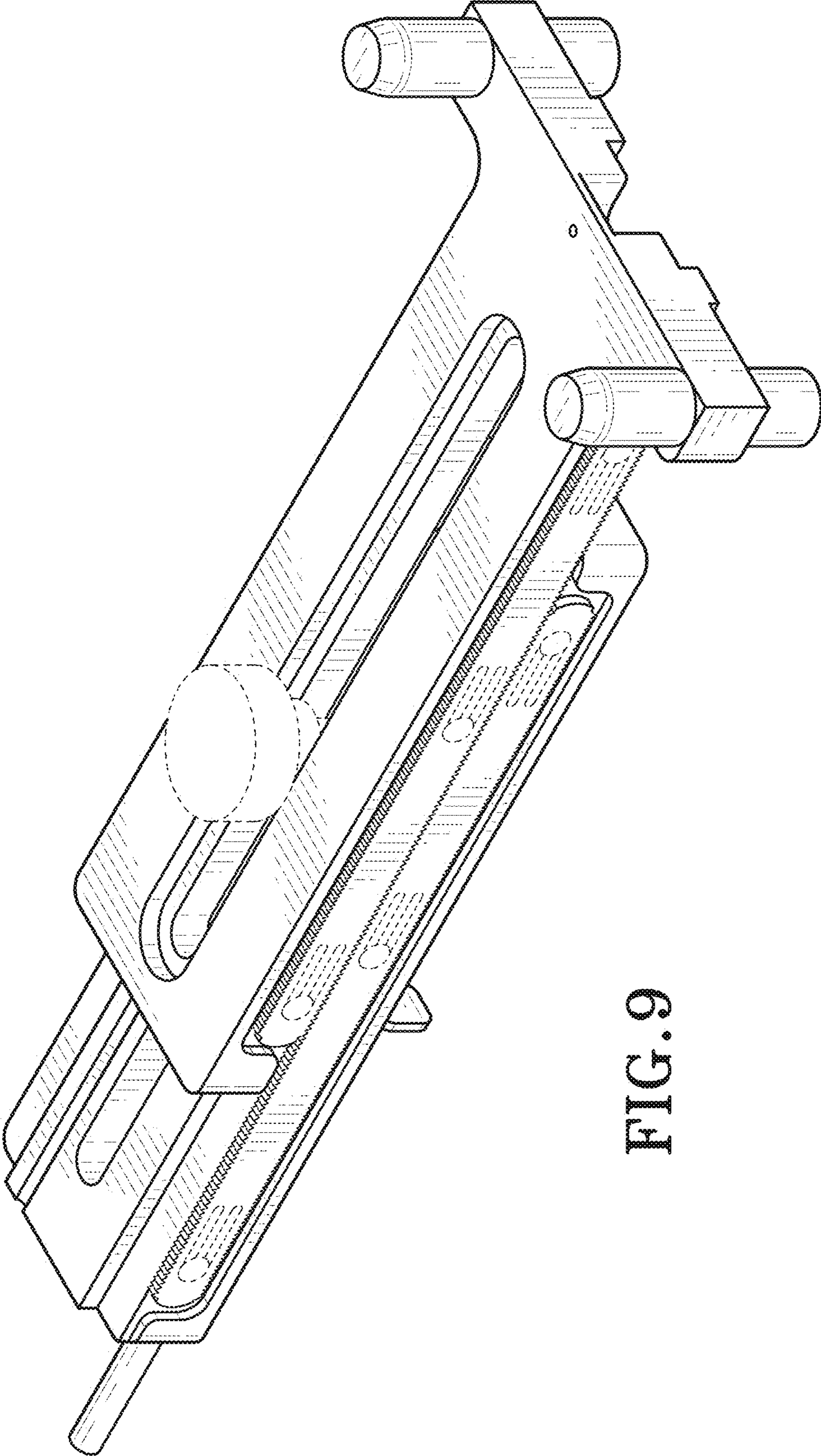


FIG. 9

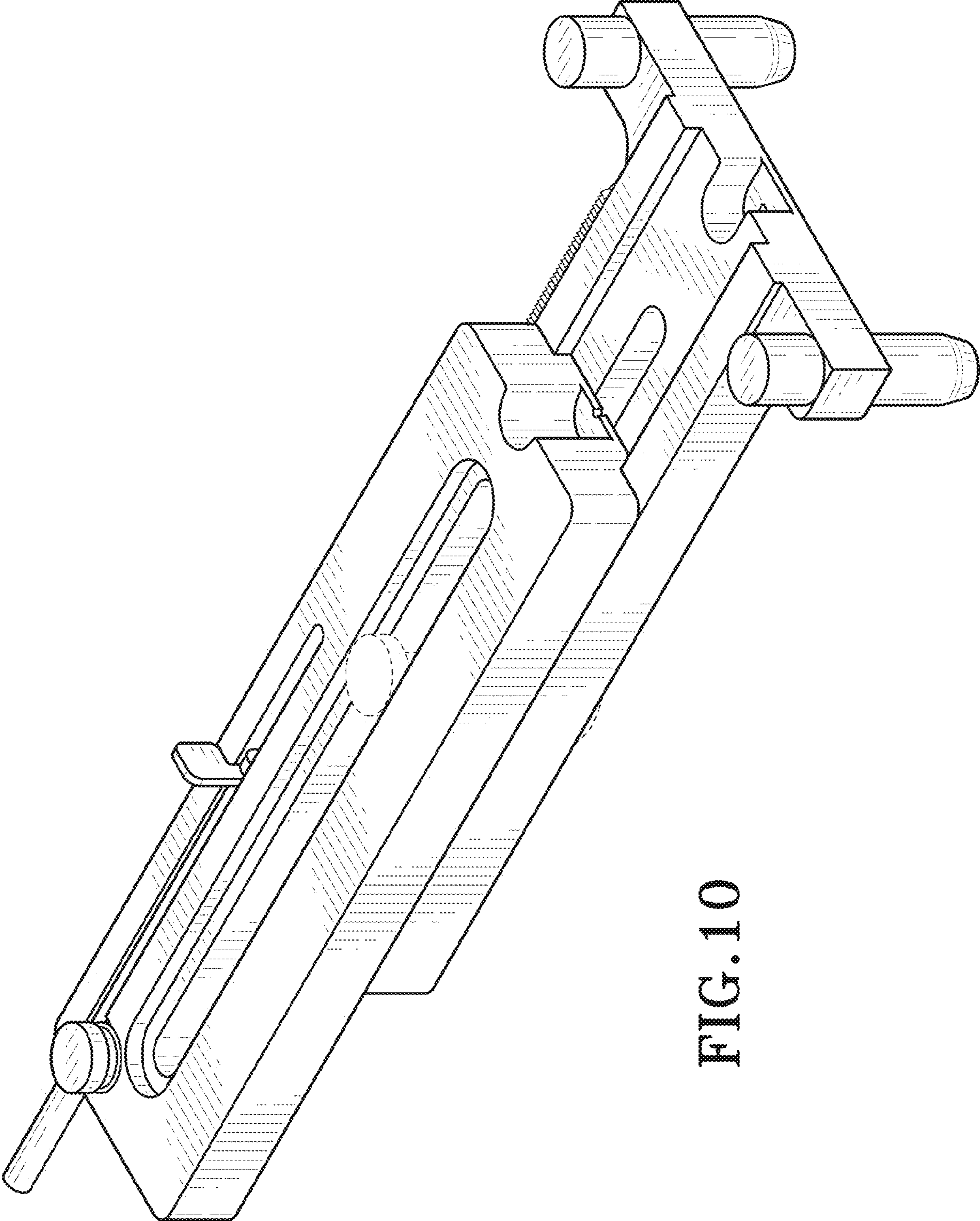


FIG. 10

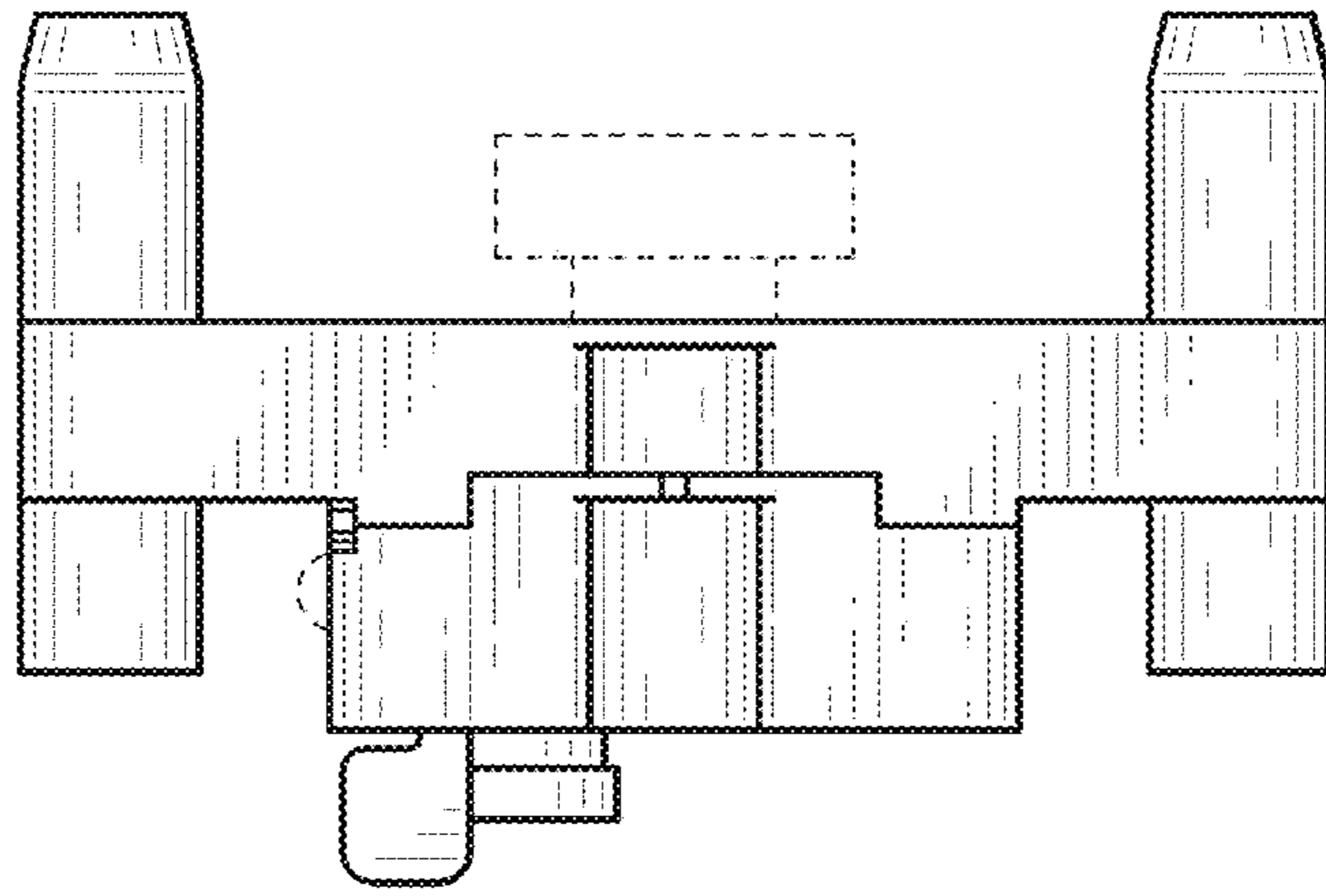


FIG. 11

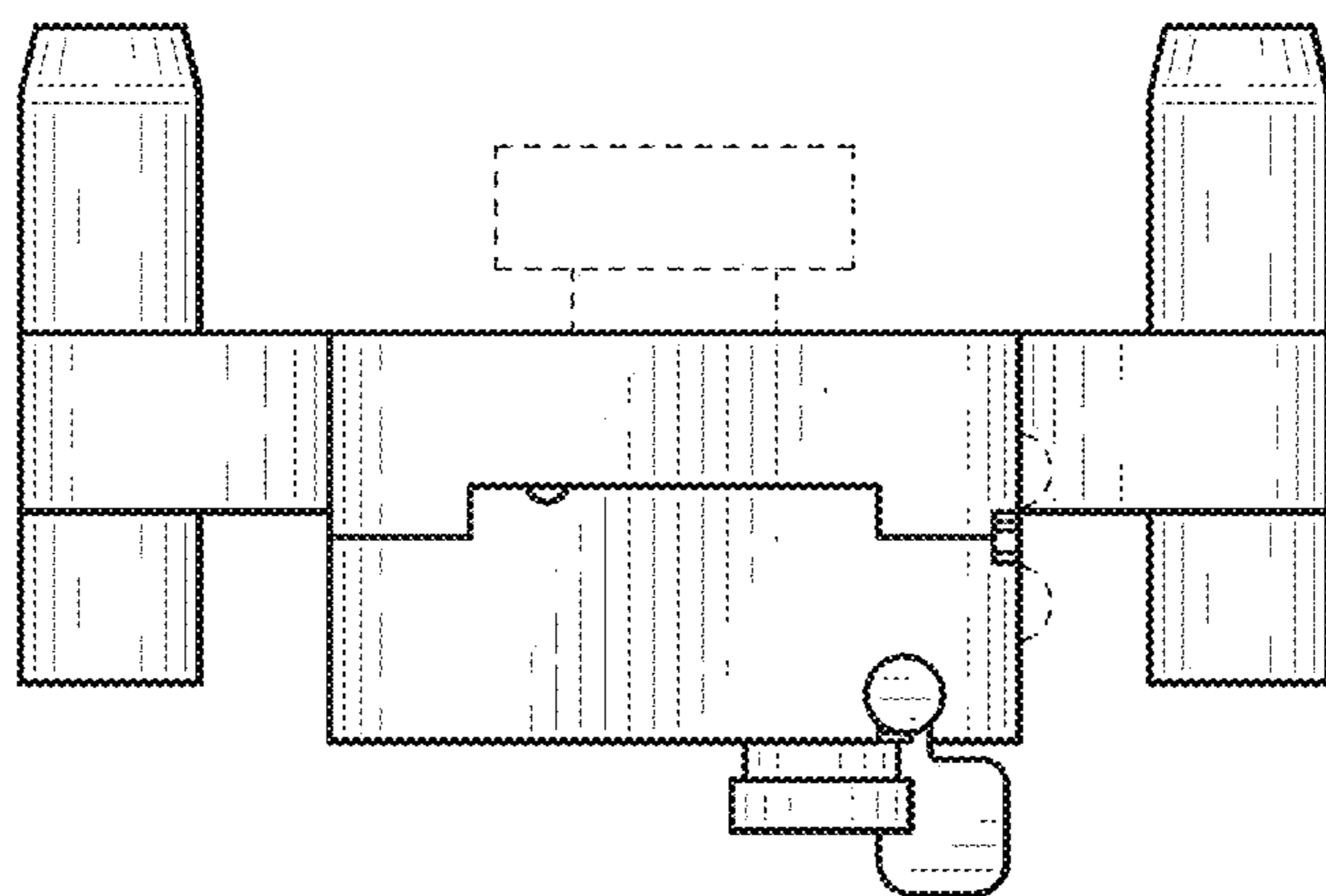
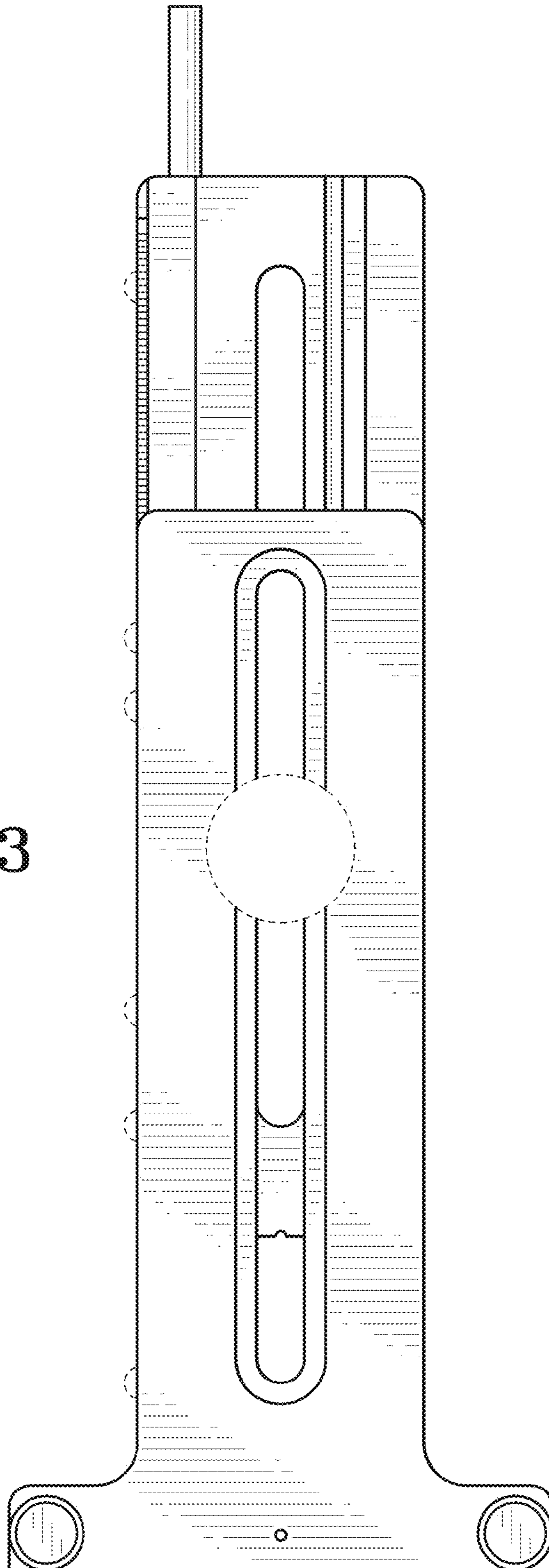


FIG. 12

FIG. 13



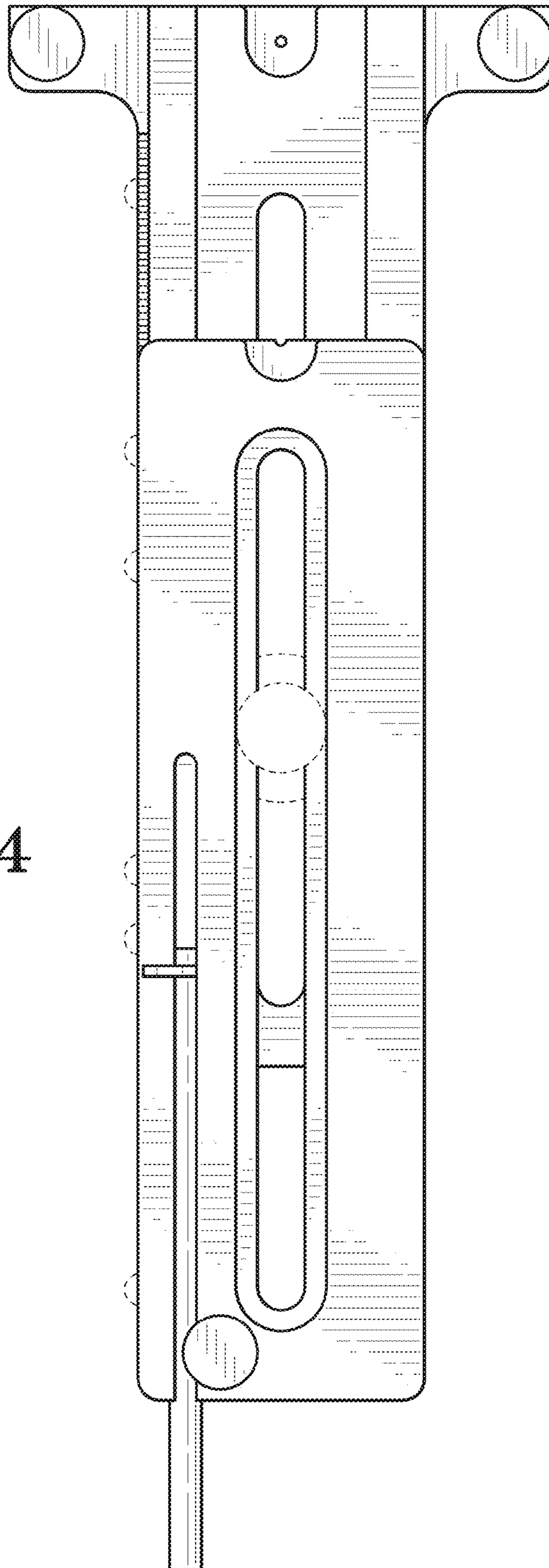


FIG. 14

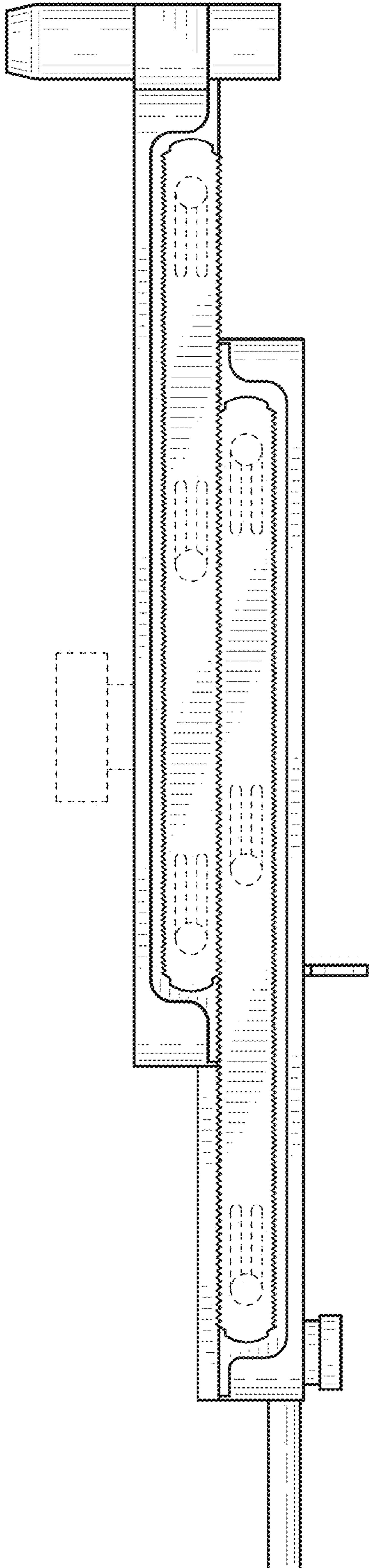


FIG. 15

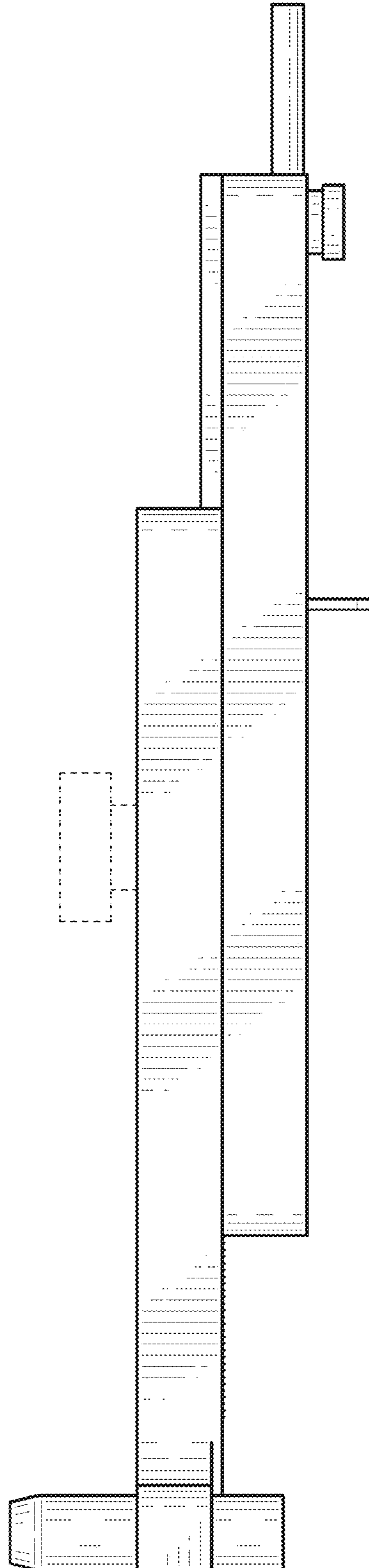


FIG. 16