

US00D870572S

(12) **United States Design Patent**  
**Li**

(10) **Patent No.:** **US D870,572 S**

(45) **Date of Patent:** **\*\* Dec. 24, 2019**

(54) **THERMOSTAT**

33/0854; H05B 37/0218; H05K 5/0017;  
H05K 5/0243; H05K 5/00; H05K 5/03;  
H04M 2250/12; H04M 2250/22

(71) Applicant: **Libin Li**, Guangdong (CN)

See application file for complete search history.

(72) Inventor: **Libin Li**, Guangdong (CN)

(73) Assignee: **Dongguan Zhongjin Electronic Technology Co., Ltd.**, Dongguan (CN)

(56) **References Cited**

U.S. PATENT DOCUMENTS

(\*\*) Term: **15 Years**

D614,975 S *	5/2010	Fisher	.....	D10/50
D646,186 S *	10/2011	Edgar	.....	D10/50
D676,461 S *	2/2013	Wertz	.....	D10/49
D705,092 S *	5/2014	Edgar	.....	D10/50
D715,165 S *	10/2014	Deligiannis	.....	D10/50
D731,330 S *	6/2015	Edgar	.....	D10/50
D738,752 S *	9/2015	Edgar	.....	D10/50

(21) Appl. No.: **29/666,739**

(22) Filed: **Oct. 16, 2018**

\* cited by examiner

(51) **LOC (12) Cl.** ..... **10-04**

(52) **U.S. Cl.**  
USPC ..... **D10/49**; D13/162

*Primary Examiner* — Antoine Duval Davis

(58) **Field of Classification Search**  
USPC ..... D10/49, 50; D13/162, 162.1, 177, 184  
CPC . F23N 5/20; F23N 5/203; F23N 5/206; F23N 5/18; F23N 5/184; F23N 5/187; F23N 5/22; F23N 2025/12; F23N 2041/02; F24F 11/00; F24F 11/0012; F24F 11/0009; F24F 11/001; F24F 2011/0057; F24F 2011/0073; F24F 2011/0091; F24F 2011/0094; F24F 2011/0068; F24F 2011/0012; F24F 2011/0015; F24F 2011/0017; F21V 11/16; F21V 33/10; G05B 19/042; G05D 23/01; G05D 23/12; G05D 23/275; G05D 23/1902; G05D 23/1904; G05D 23/27502; G05D 23/27503; G05D 23/1919; G05D 23/19; G05D 23/2723; G05D 23/00; G09F 13/22; G09F 9/53; G06F 1/1684; G06F 1/30; G06F 3/0362; G06F 3/038; H05B

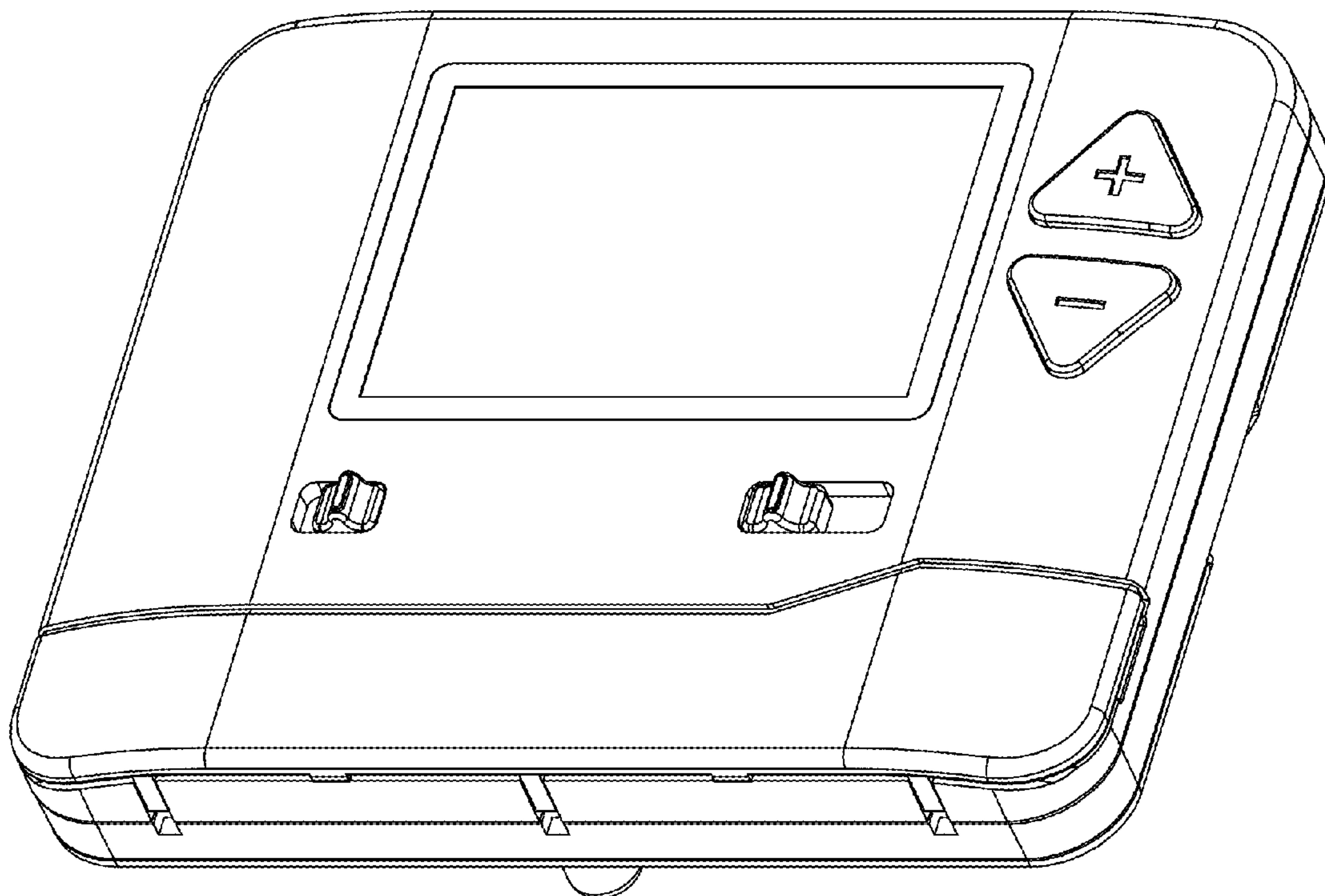
(57) **CLAIM**

The ornamental design for a thermostat, as shown and described.

**DESCRIPTION**

FIG. 1 is a perspective view of a thermostat showing my new design;  
FIG. 2 is another perspective view thereof;  
FIG. 3 is a front elevational view thereof;  
FIG. 4 is a rear elevational view thereof;  
FIG. 5 is a left side view thereof;  
FIG. 6 is a right side view thereof;  
FIG. 7 is a top plan view thereof; and,  
FIG. 8 is a bottom plan view thereof.

**1 Claim, 6 Drawing Sheets**



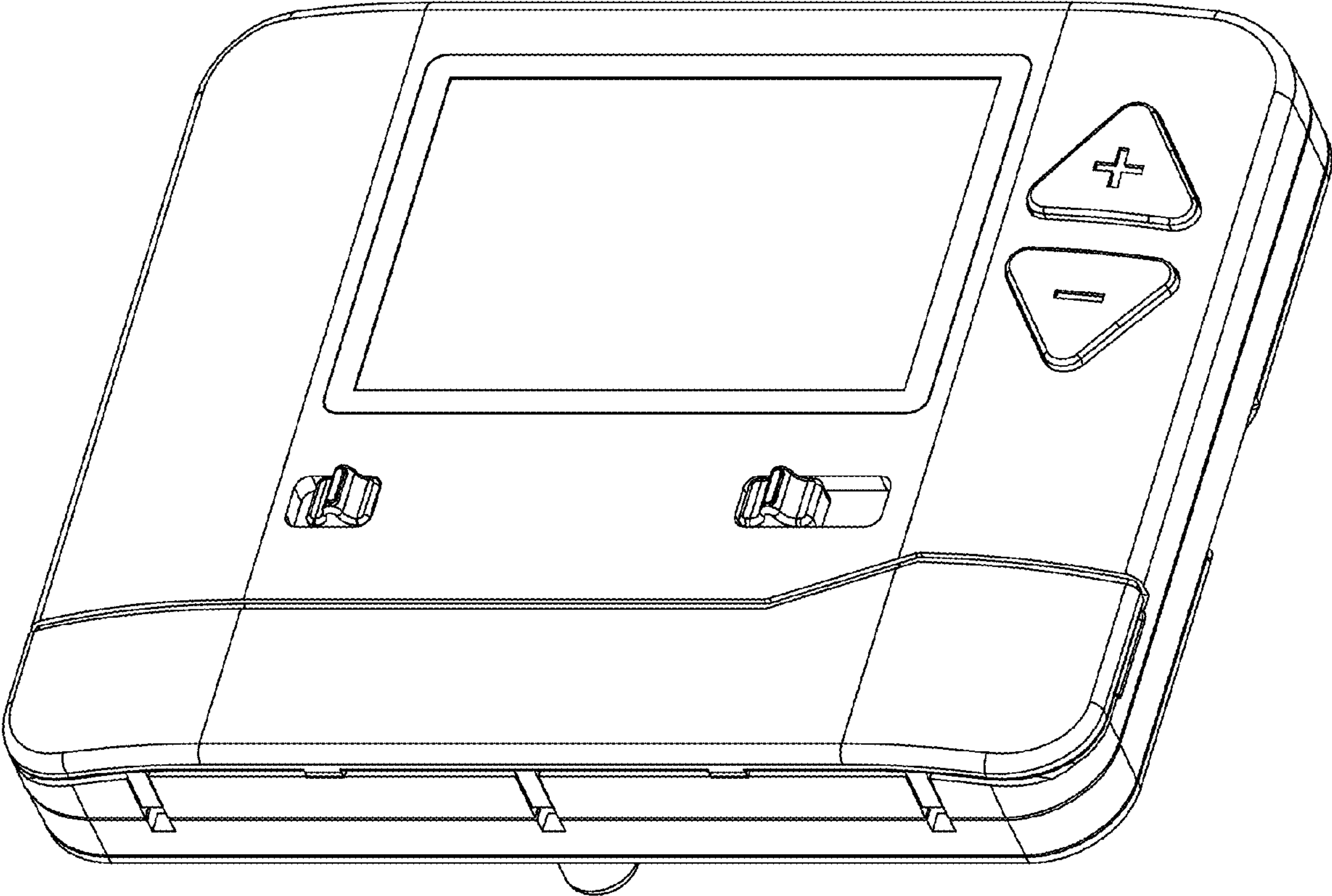


FIG. 1

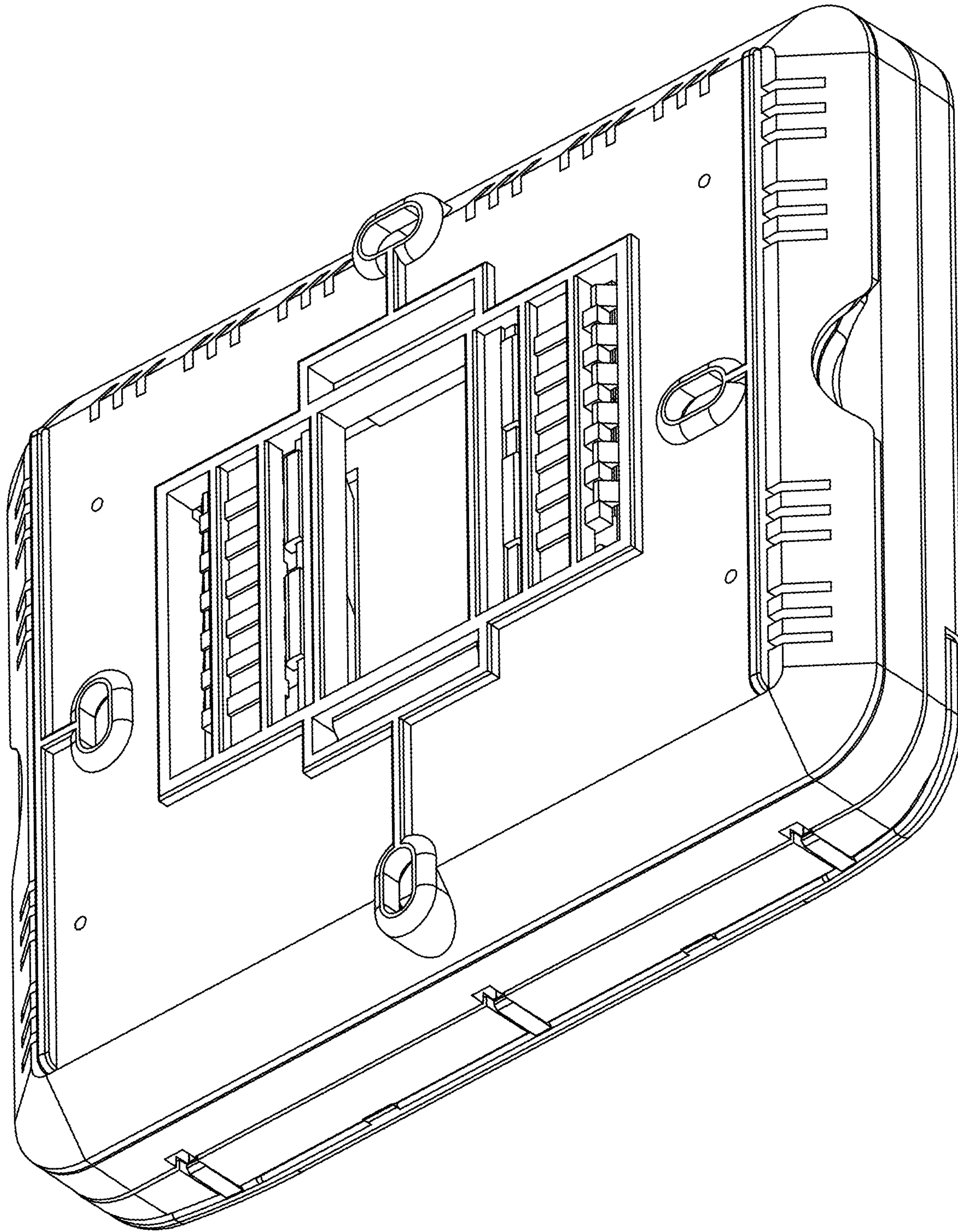


FIG. 2



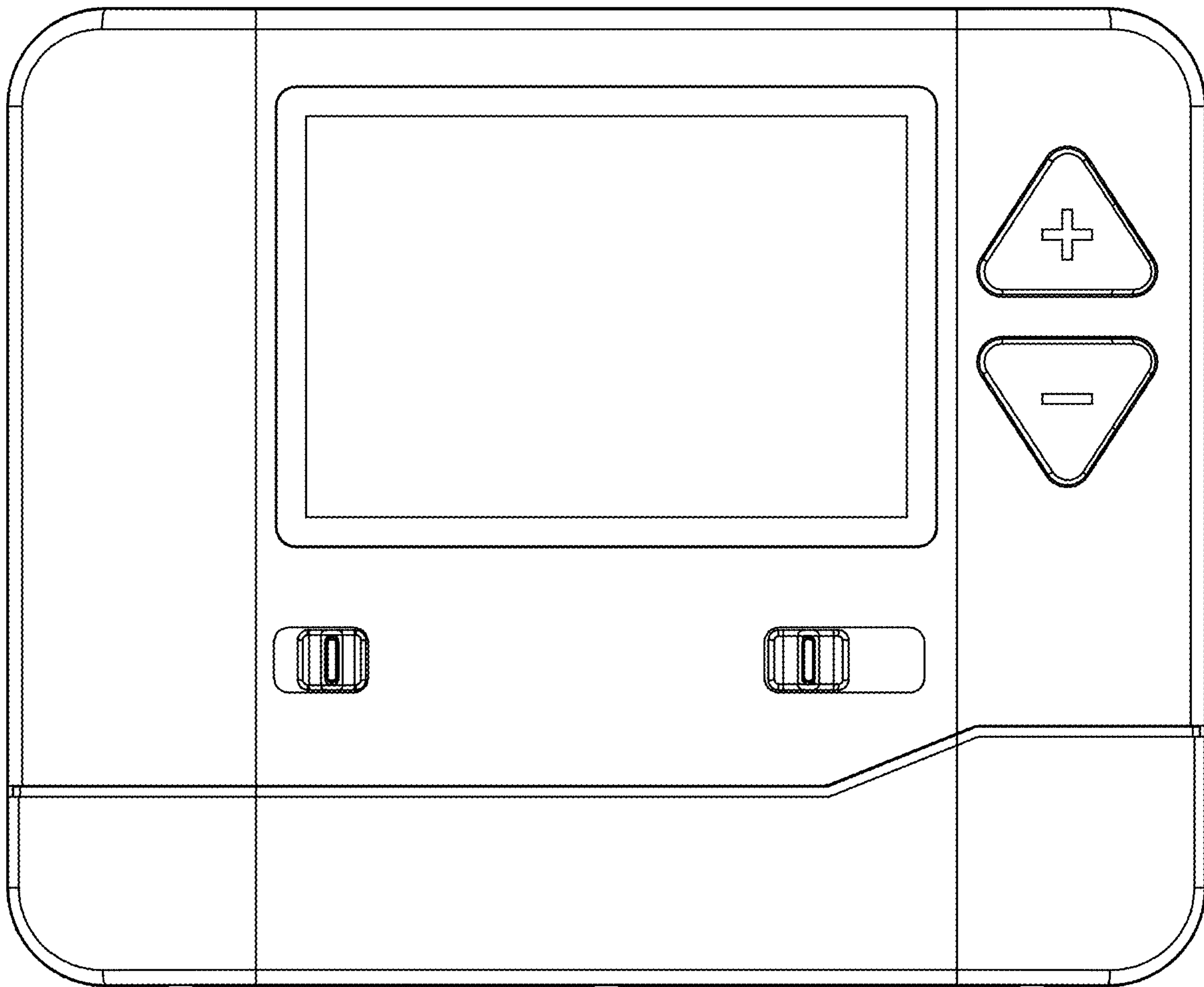


FIG. 3

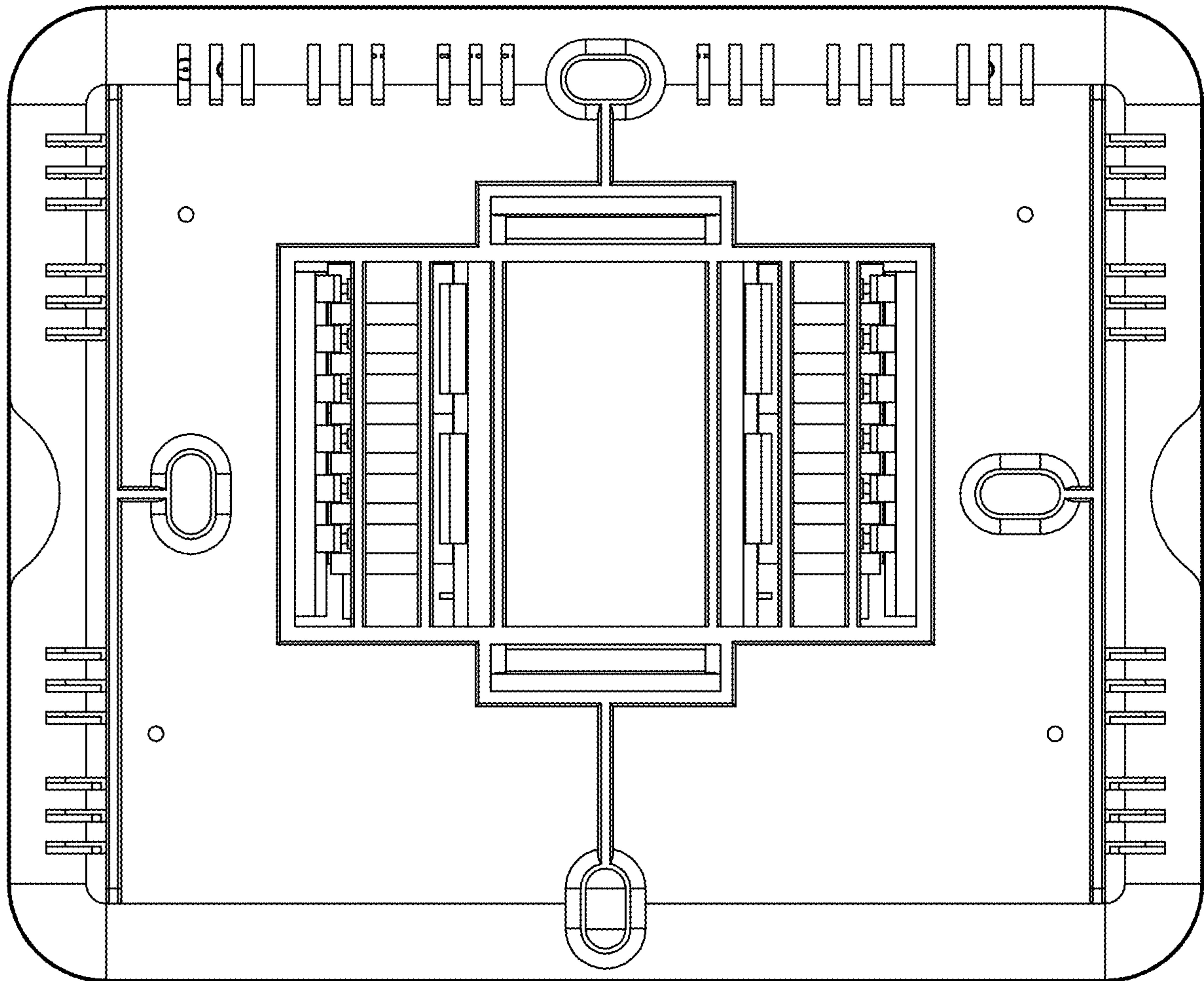


FIG. 4

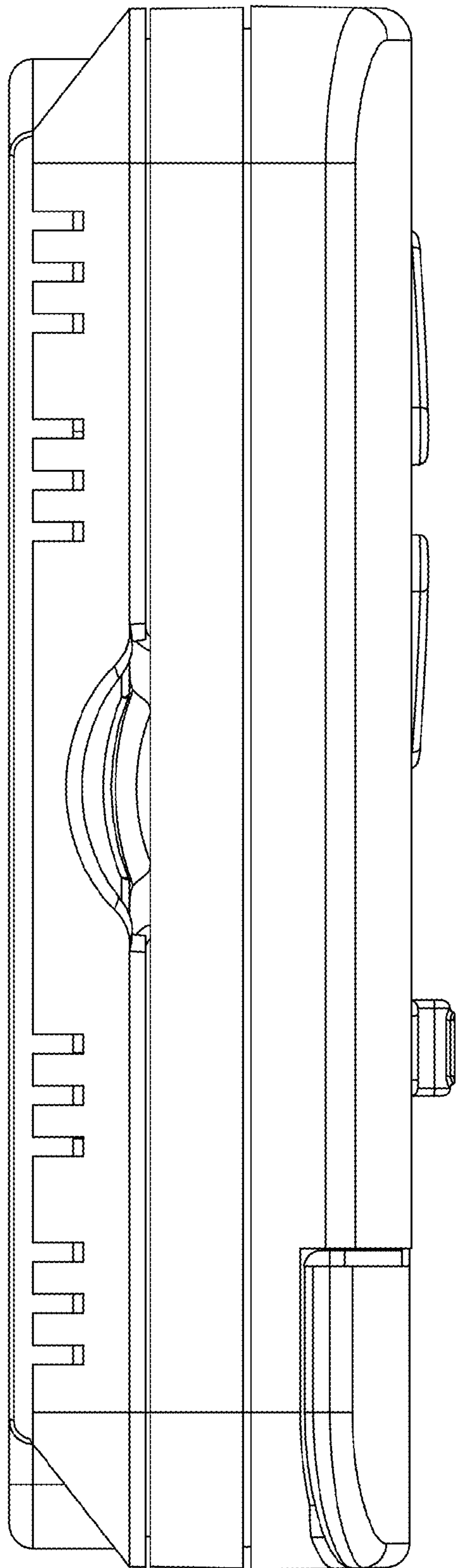


FIG. 5

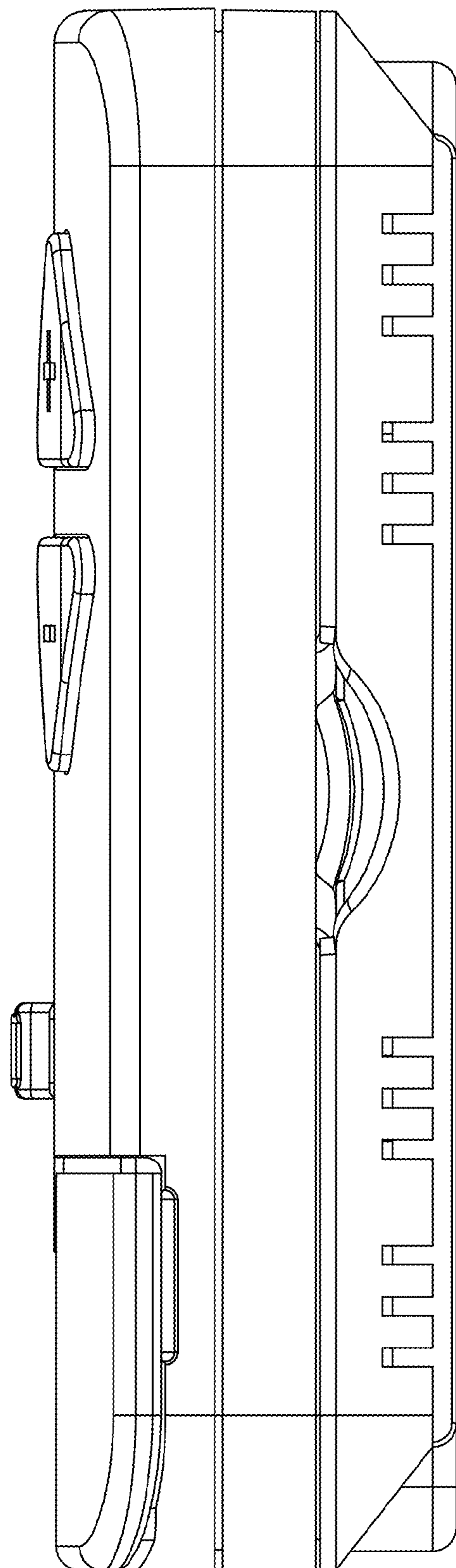


FIG. 6

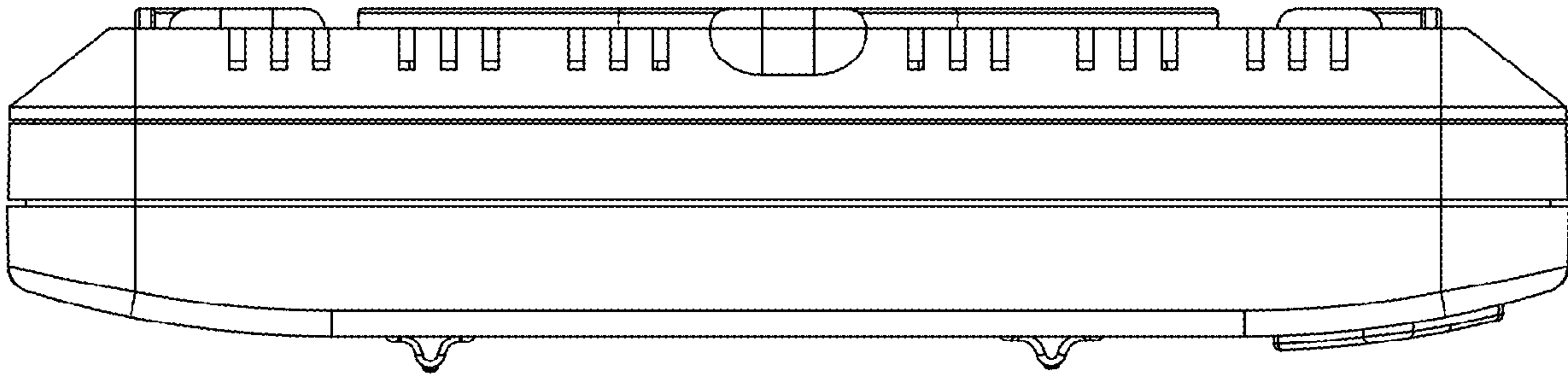


FIG. 7

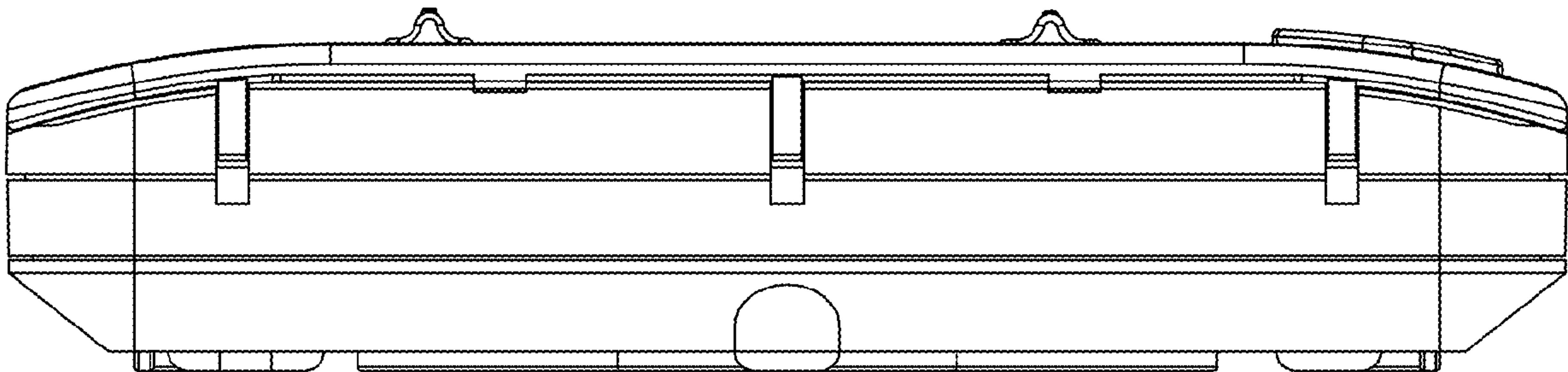


FIG. 8