



US00D870570S

(12) **United States Design Patent** (10) **Patent No.:** **US D870,570 S**
Rabassa et al. (45) **Date of Patent:** **** Dec. 24, 2019**

(54) **WATCH CASE**

(71) Applicant: **Cartier International AG**, Steinhausen (CH)

(72) Inventors: **Serge Rabassa**, Vessy (CH); **Sophie Boulangeot**, Geneva (CH)

(73) Assignee: **Cartier International AG**, Steinhausen (CH)

(**) Term: **15 Years**

(21) Appl. No.: **29/612,864**

(22) Filed: **Aug. 4, 2017**

(30) **Foreign Application Priority Data**

Feb. 10, 2017 (WO) 2329001

(51) **LOC (12) Cl.** **10-02**

(52) **U.S. Cl.**
USPC **D10/38**

(58) **Field of Classification Search**
USPC D10/1-2, 10, 30-33, 36-39, 98-99, D10/122-124, 126-128, 132; D11/3; D14/344; D24/167, 186
CPC G04B 19/00; G04B 19/04; G04B 19/06; G04B 19/065; G04B 19/08; G04B 19/085; G04B 19/10; G04B 19/103; G04B 19/106; G04B 47/042; G04B 47/048; G04B 19/12; G04B 19/18; G04B 19/223; G04B 19/22; G04B 19/283; G04B 37/00; G04B 37/0008; G04B 37/0058; G04B 37/04; G04B 37/0418; G04B 45/0061; G04B 45/0069; G04B 19/26; G04B 19/264; G04D 3/04; A44C 5/00; A44C 5/0053; G04C 19/00; G04C 19/02; G04C 3/001; G04F 1/00; G04F 3/00; G04F 3/02; G04G 17/00; G04G 17/005; G04G 17/02-04; G04G 17/08

See application file for complete search history.

(56) **References Cited**

U.S. PATENT DOCUMENTS

D386,423	S	*	11/1997	Sang	D10/30
D434,679	S	*	12/2000	Dumas	D10/30
D533,088	S	*	12/2006	Bedat	D10/39
D576,890	S	*	9/2008	El Kadiri	D10/30
D628,094	S	*	11/2010	Rabassa	D10/38
D656,044	S	*	3/2012	Favre	D10/38
D663,221	S	*	7/2012	Gueit	D10/38

(Continued)

OTHER PUBLICATIONS

Cartier Drive de Cartier Extra-Flat | posted at hodinkee.com Jan. 17, 2017 © 2009-2018, Hodinkee Inc [online][site visited Sep. 24, 2018]. Available from internet: <https://www.hodinkee.com/articles/cartier-drive-de-cartier-extra-flat-stainless-steel-yellow-gold-handson> (Year: 2017).*

(Continued)

Primary Examiner — Sandra S Snapp
Assistant Examiner — Katherine Glennon
(74) *Attorney, Agent, or Firm* — Taft Stettinius & Hollister LLP

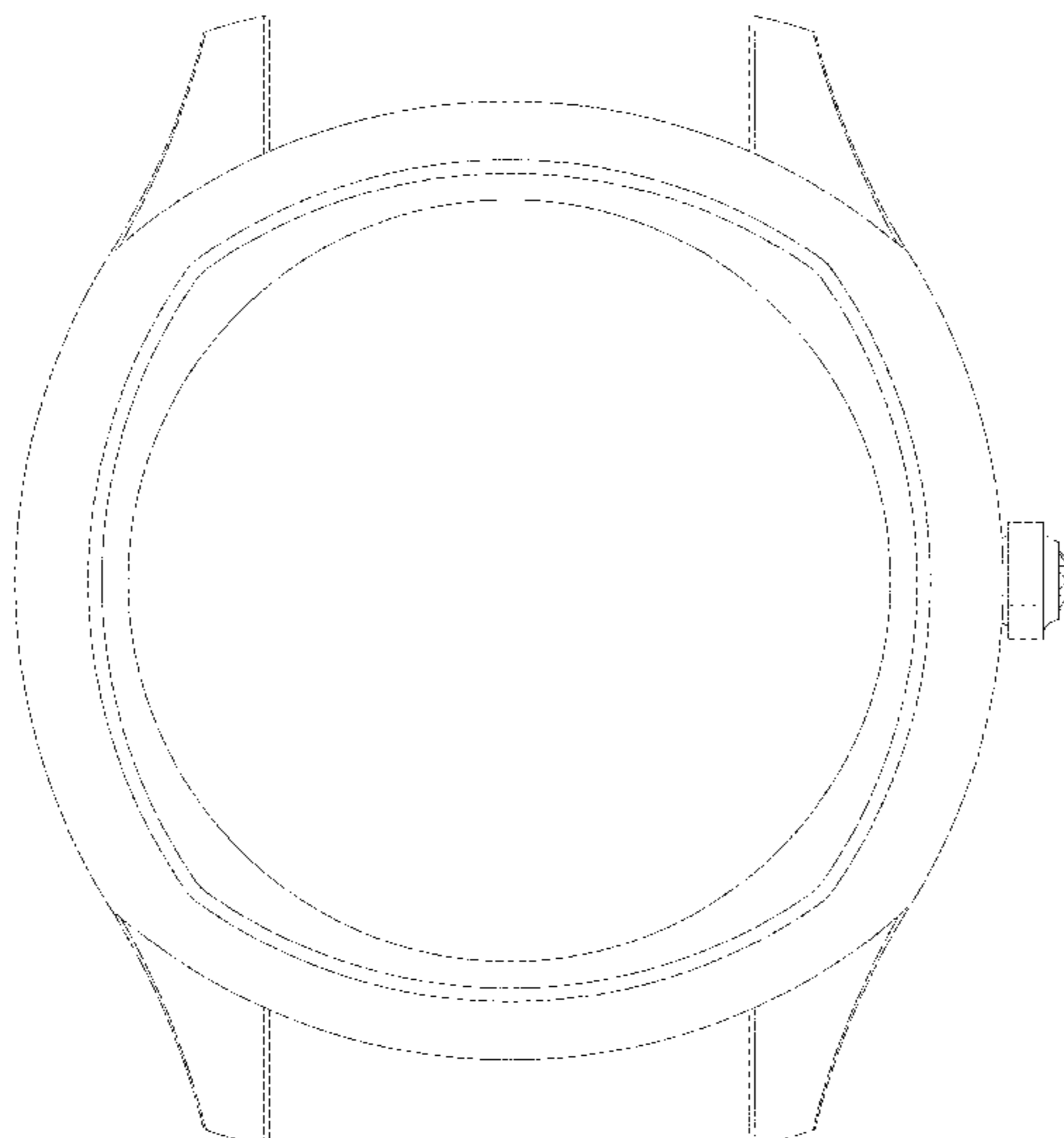
(57) **CLAIM**

The ornamental design for a watch case, as shown and described.

DESCRIPTION

FIG. 1 is a front elevational view of a watch case showing our new design;
FIG. 2 is a back elevational view thereof;
FIG. 3 is a right side elevational view thereof;
FIG. 4 is a left side elevational view thereof;
FIG. 5 is a bottom plan view thereof;
FIG. 6 is a top plan view thereof; and,
FIG. 7 is a front, right side perspective view thereof.
The broken lines in the drawing figures depict unclaimed subject matter that forms no part of the claimed design.

1 Claim, 7 Drawing Sheets



(56)

References Cited

U.S. PATENT DOCUMENTS

D709,389	S	*	7/2014	Monachon	D10/39
D714,164	S	*	9/2014	Vuilleumier	D10/30
D764,318	S	*	8/2016	Kauffmann	D10/30
D767,411	S	*	9/2016	Rabassa	D10/30
D769,868	S	*	10/2016	Isaacs	D14/344
D772,866	S	*	11/2016	Park	D10/38
D791,619	S	*	7/2017	Rabassa	D10/30
D792,247	S	*	7/2017	Davoli	D10/30
D792,786	S	*	7/2017	Davoli	D10/30
D804,968	S	*	12/2017	Rabassa	D10/38
D811,921	S	*	3/2018	Rabassa	D10/132
D821,892	S	*	7/2018	Parmigiani	D10/30

OTHER PUBLICATIONS

Cartier's Drive Extra Flat | posted at revolution.watch Mar. 9, 2017
© 2018, Revolution [online][site visited Sep. 24, 2018]. Available
from internet: <<https://www.revolution.watch/night-out-cartiers-drive-extra-flat/?archive>> (Year: 2017).*

* cited by examiner

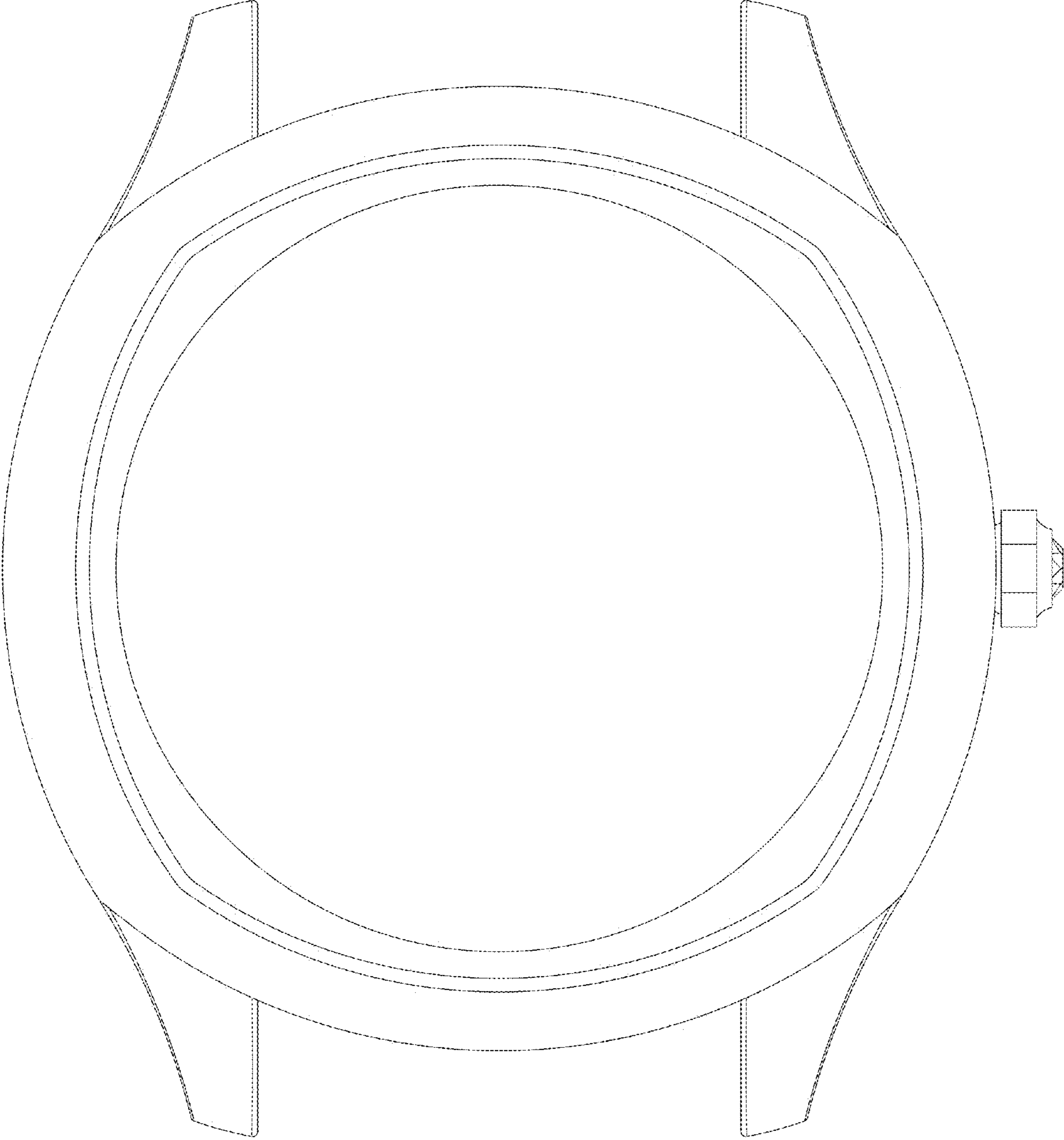


Fig. 1

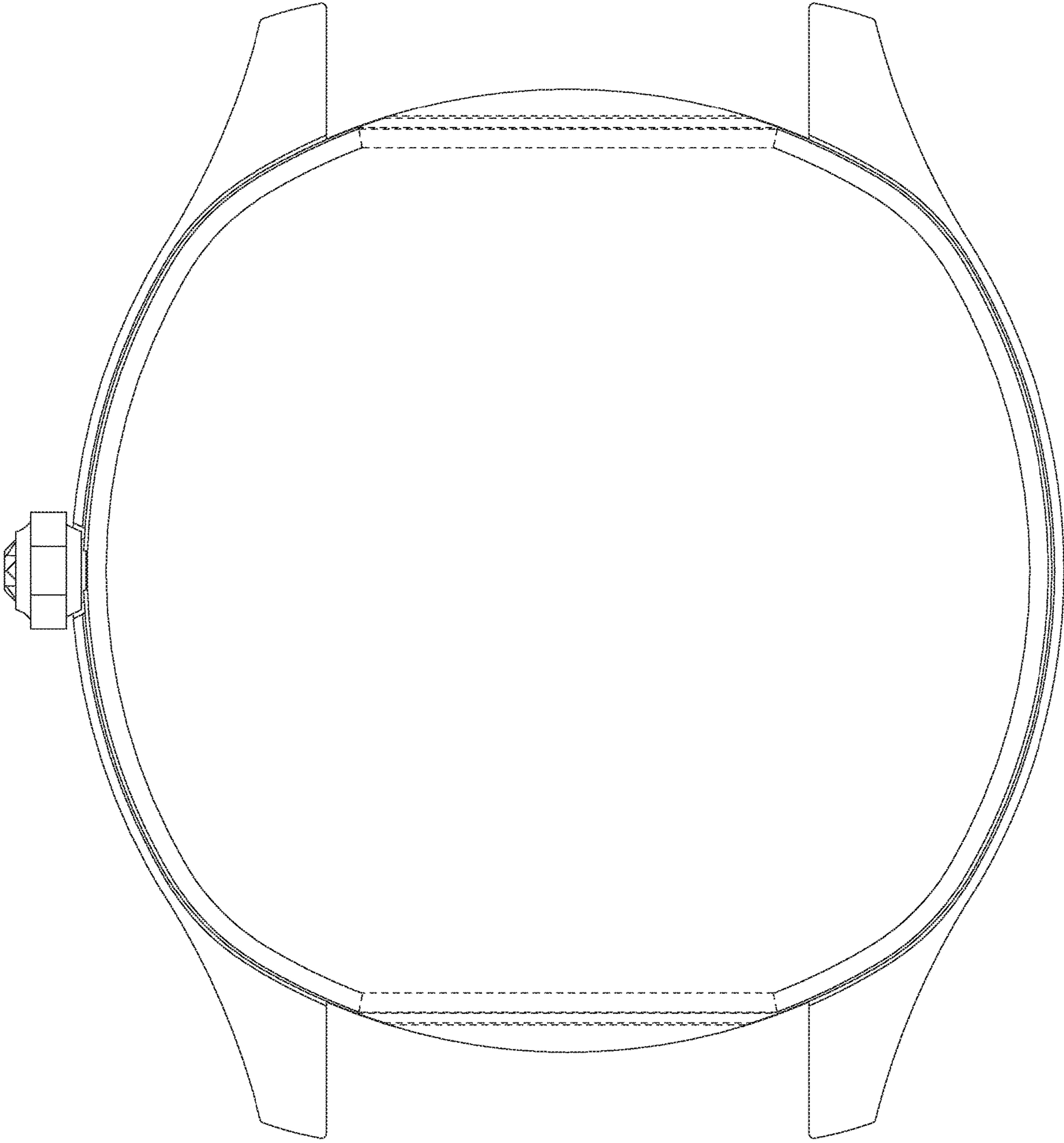


Fig. 2

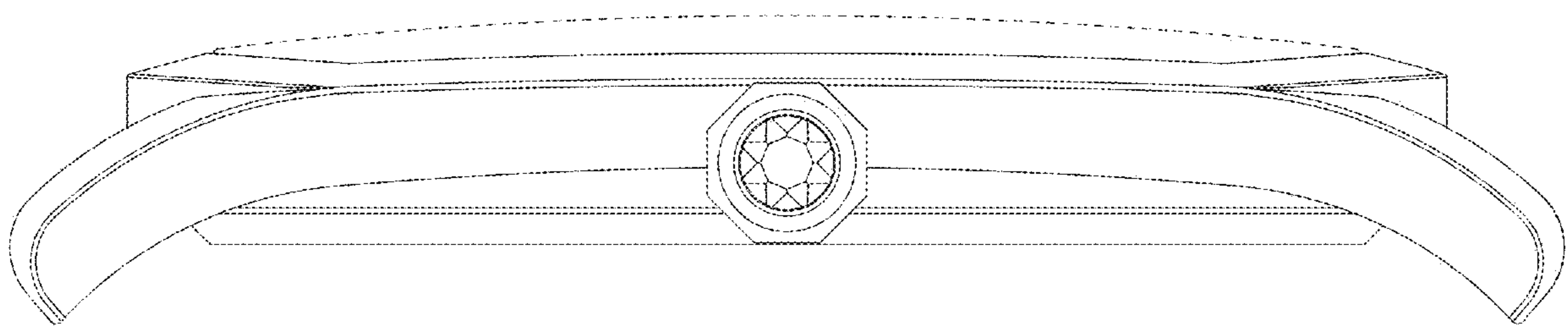


Fig. 3

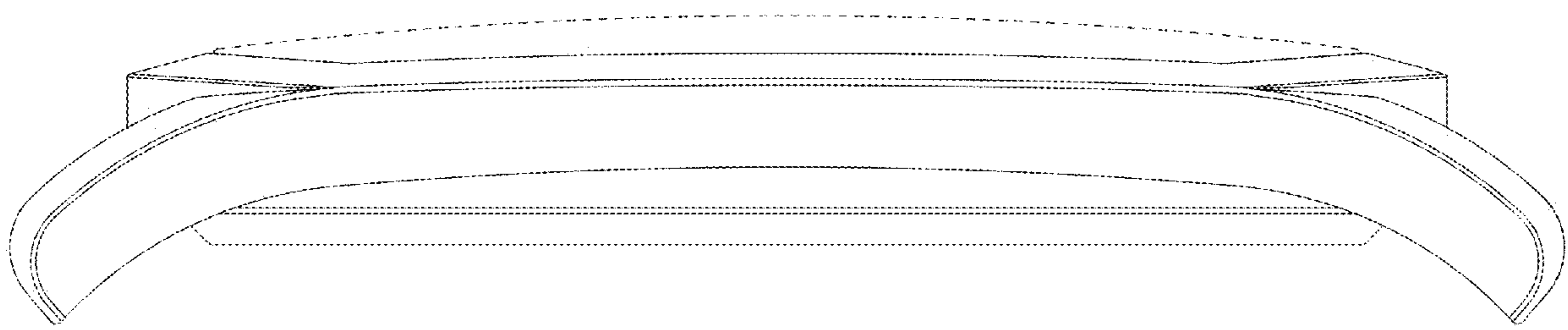


Fig. 4

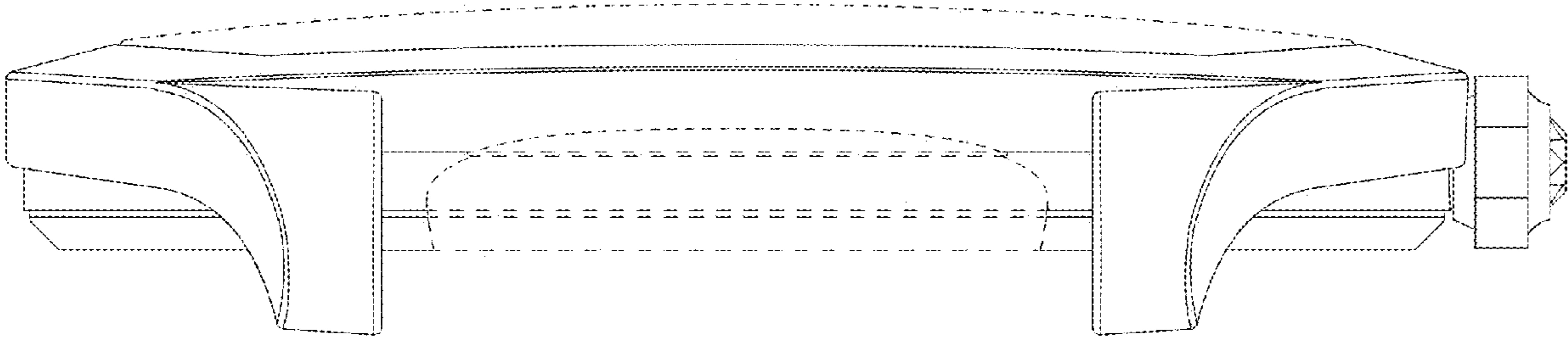


Fig. 5

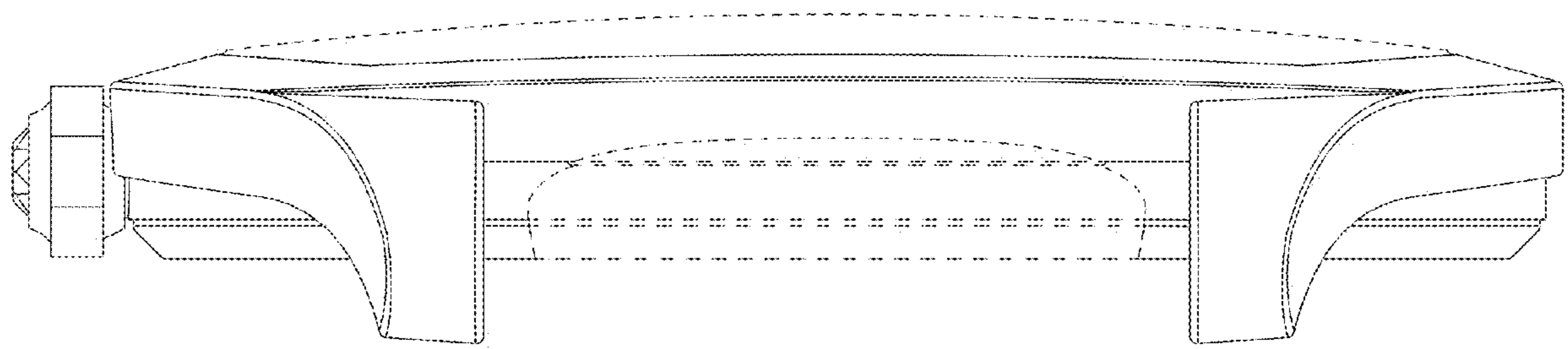


Fig. 6

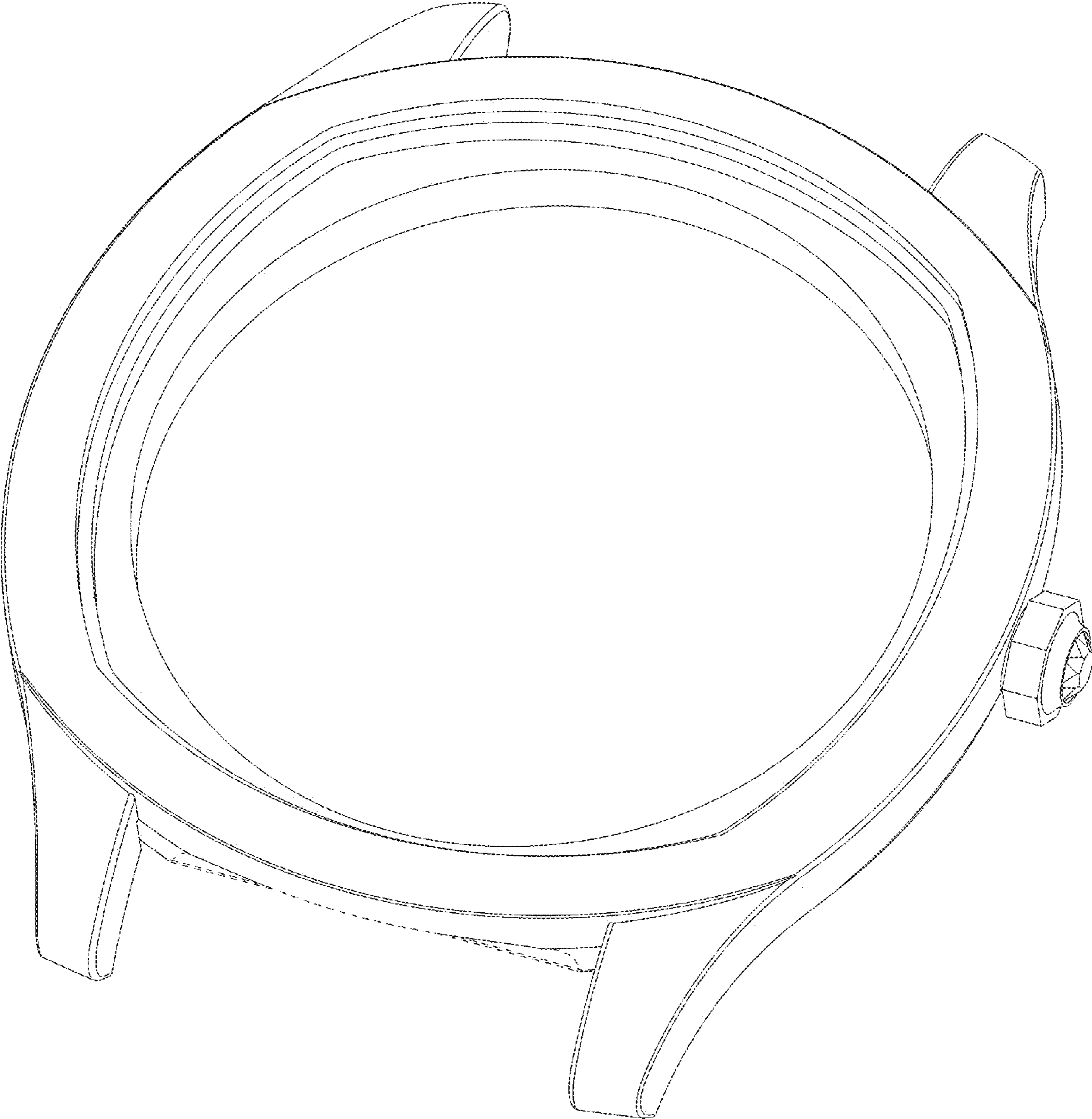


Fig. 7