



US00D870569S

(12) **United States Design Patent** (10) **Patent No.:** **US D870,569 S**  
**Galli** (45) **Date of Patent:** **\*\* Dec. 24, 2019**

(54) **WATCH**

(71) Applicant: **SALVATORE FERRAGAMO S.P.A.**,  
Florence (IT)

(72) Inventor: **Giorgio Galli**, Milan (IT)

(73) Assignee: **SALVATORE FERRAGAMO S.P.A.**,  
Florence (IT)

(\*\*) Term: **15 Years**

(21) Appl. No.: **35/506,246**

(22) Filed: **Jun. 20, 2018**

(80) **Hague Agreement Data**

Int. Filing Date: **Jun. 20, 2018**

Int. Reg. No.: **DM/101806**

Int. Reg. Date: **Jun. 20, 2018**

Int. Reg. Pub. Date: **Dec. 21, 2018**

(51) **LOC (12) Cl.** ..... **10-02**

(52) **U.S. Cl.**  
USPC ..... **D10/32**

(58) **Field of Classification Search**  
USPC ..... **D10/30, 32, 39, 126**  
See application file for complete search history.

(56) **References Cited**

U.S. PATENT DOCUMENTS

D822,836 S *	7/2018	Wu	.....	D24/186
D842,720 S *	3/2019	Doan	.....	D10/70
D842,721 S *	3/2019	Lee	.....	D10/70
D843,863 S *	3/2019	Mockler	.....	D10/70
D846,747 S *	4/2019	Lillquist	.....	D24/186

\* cited by examiner

*Primary Examiner* — George D. Kirschbaum

(74) *Attorney, Agent, or Firm* — Lucas & Mercanti, LLP

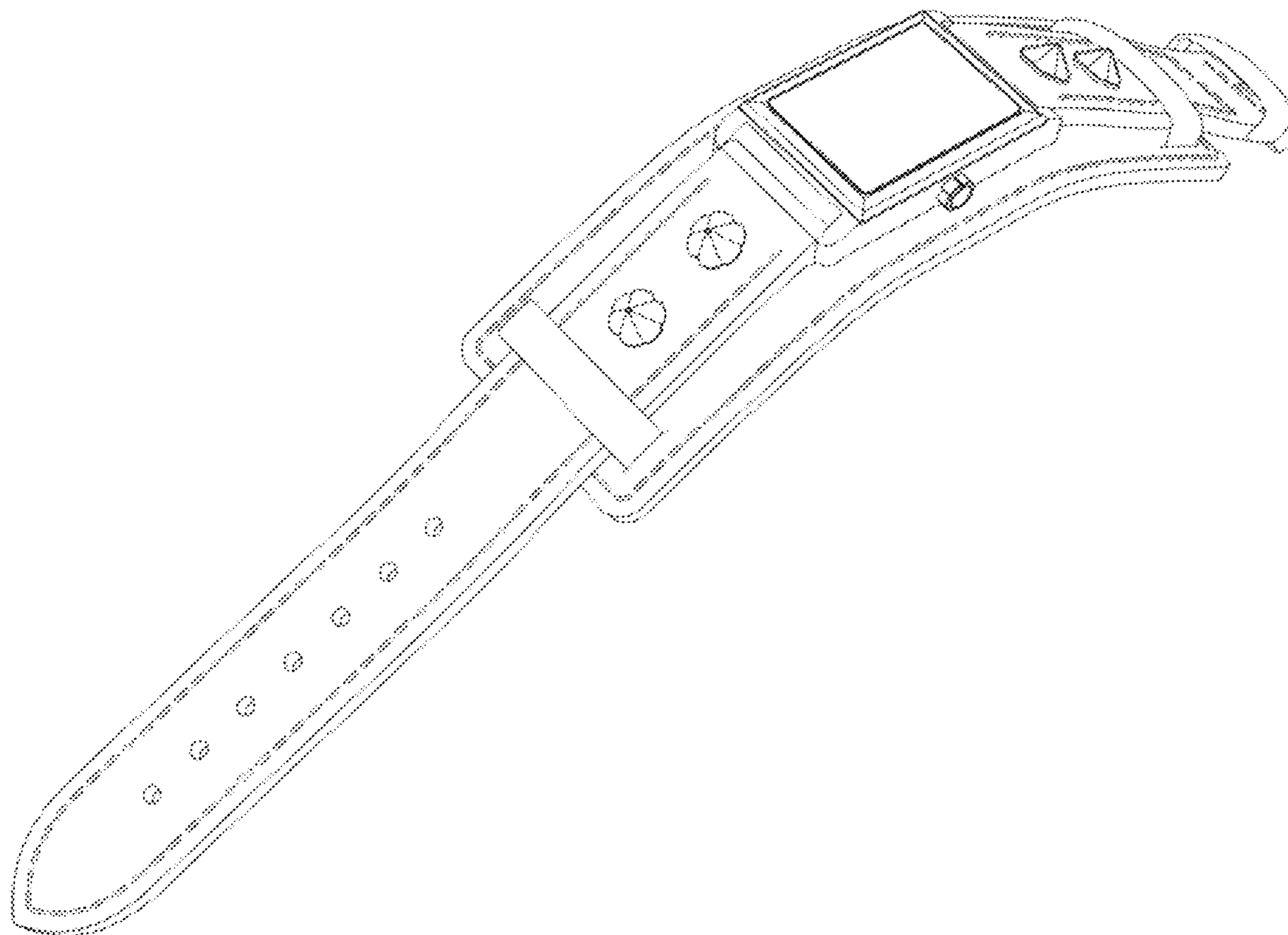
(57) **CLAIM**

The ornamental design for watch, as shown and described.

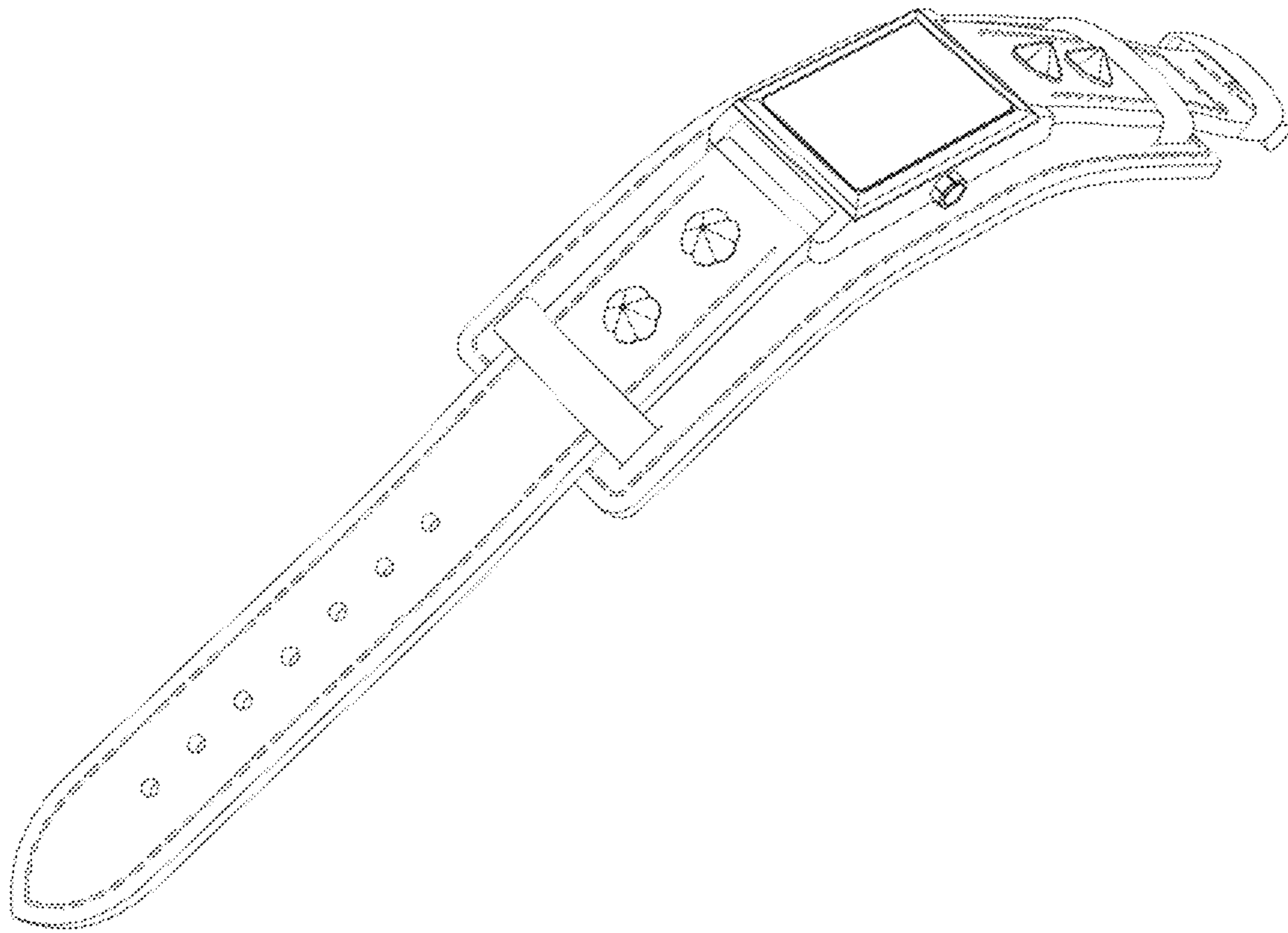
**DESCRIPTION**

- 1. Watch
- 1.1 : Perspective
- 1.2 : Front
- 1.3 : Back
- 1.4 : Left
- 1.5 : Right
- 1.6 : Top
- 1.7 : Bottom

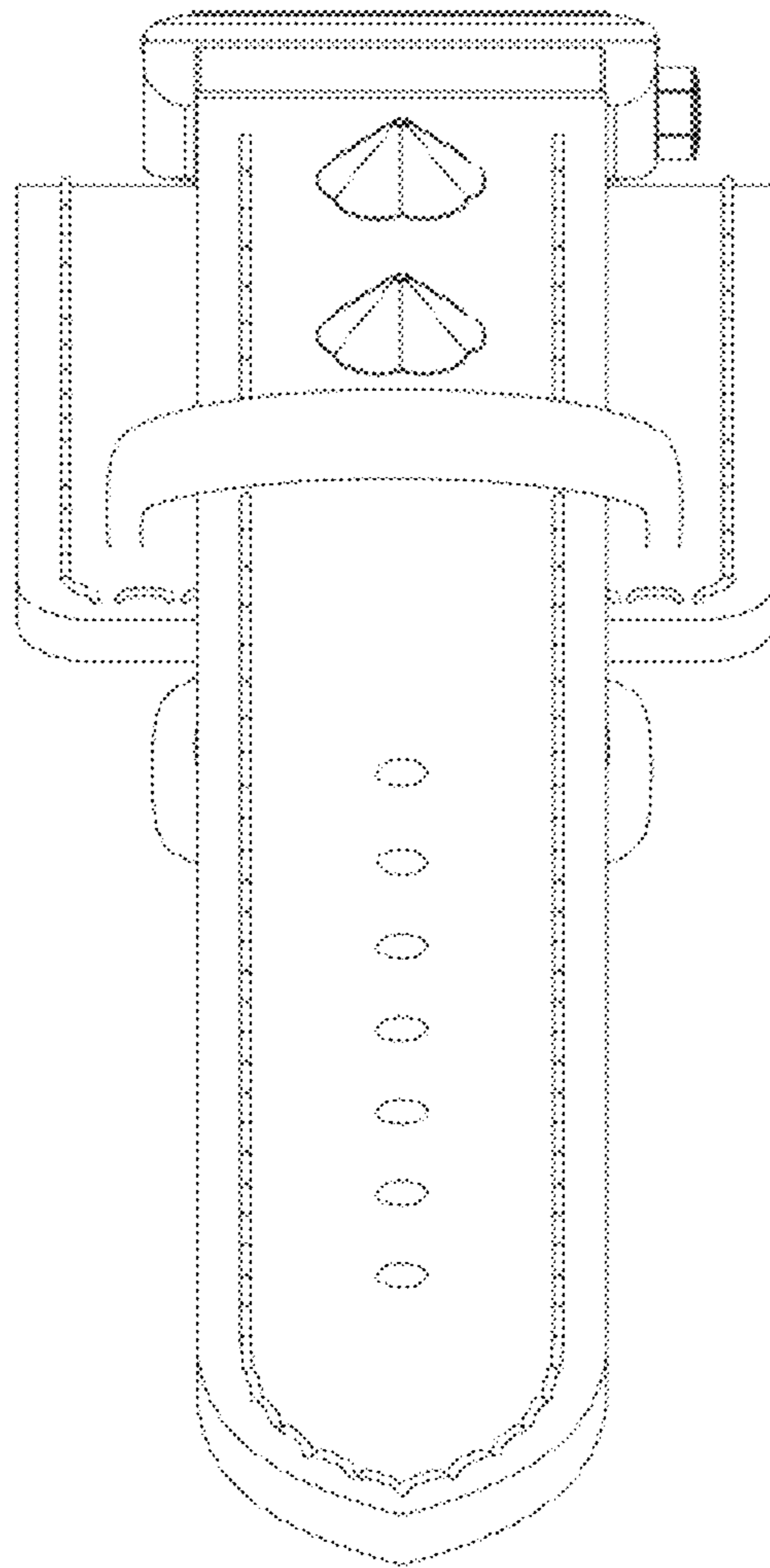
**1 Claim, 7 Drawing Sheets**



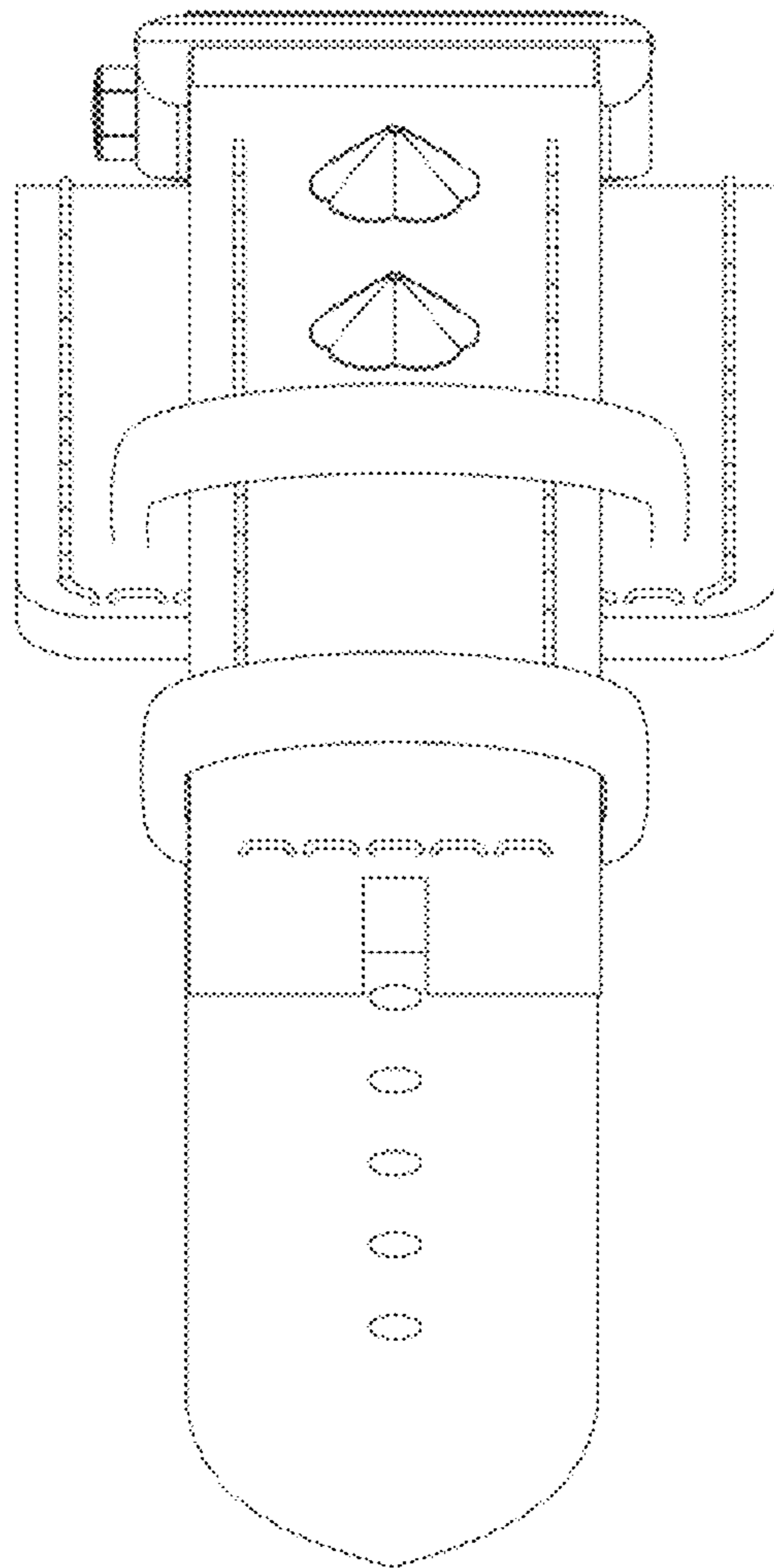
1.1



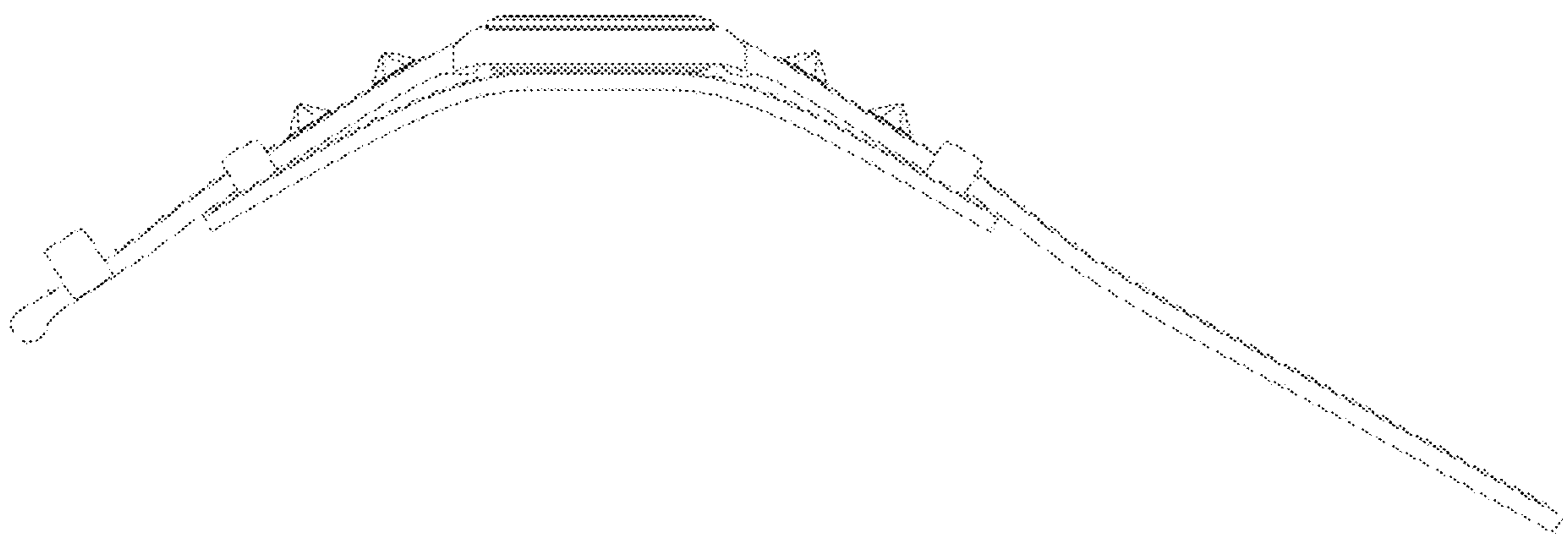
1.2



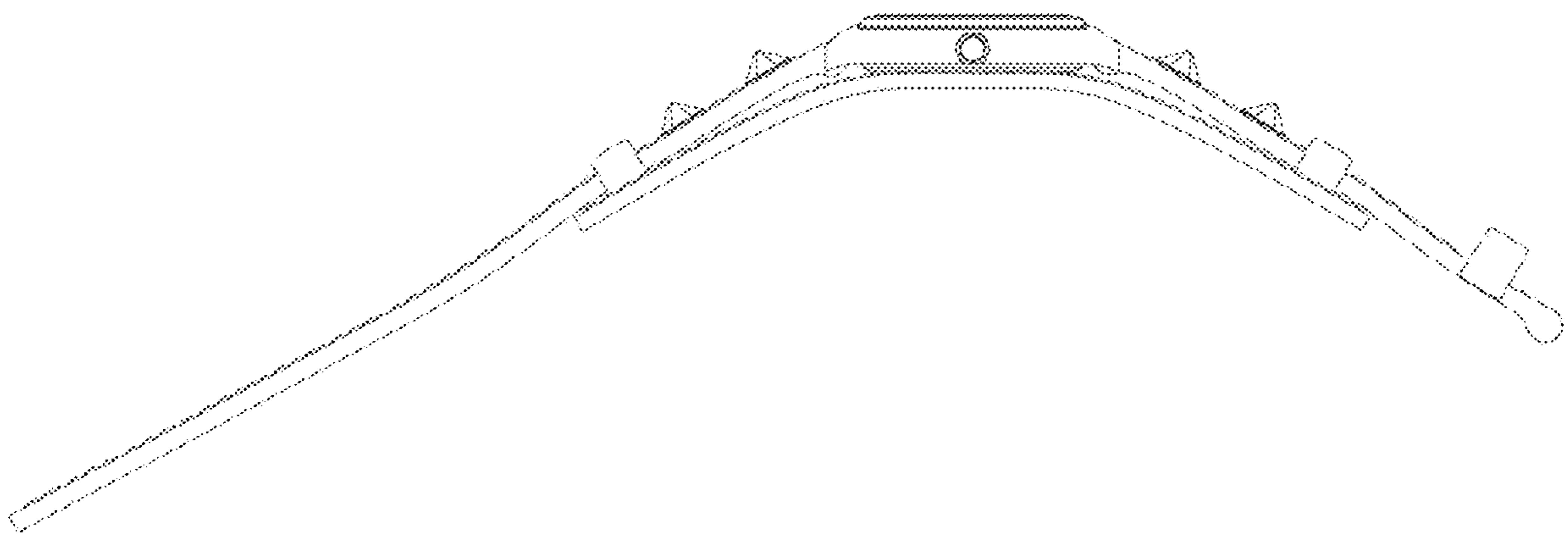
1.3



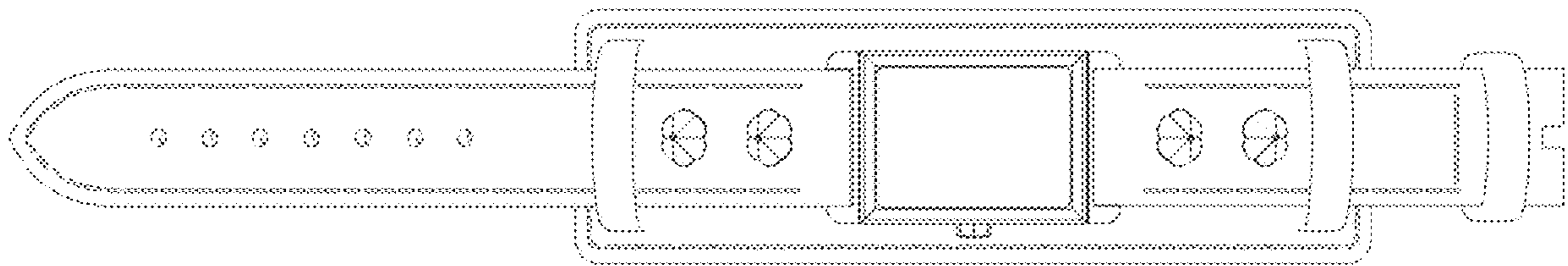
1.4



1.5



1.6



1.7

