



US00D870566S

(12) **United States Design Patent** (10) **Patent No.:** **US D870,566 S**
Crosby (45) **Date of Patent:** **** Dec. 24, 2019**

(54) **GUSSETED PACKAGE**

FOREIGN PATENT DOCUMENTS

(71) Applicant: **GBS Holdings LLC**, Oak Ridge, TN (US)

EP 2641842 A1 9/2013
KR 1020040038973 A 5/2004

(72) Inventor: **Bryan Justin Robert Crosby**, Maryville, TN (US)

OTHER PUBLICATIONS

(73) Assignee: **GBS Holdings LLC**, Oak Ridge, TN (US)

International Search Report and Written Opinion, PCT/US2017/064111, 17 pages, Aug. 24, 2018.

(**) Term: **15 Years**

Primary Examiner — Abraham Bahta

(21) Appl. No.: **29/666,430**

(74) *Attorney, Agent, or Firm* — Eversheds Sutherland (US) LLP

(22) Filed: **Oct. 12, 2018**

(51) **LOC (12) Cl.** **09-05**

(57) **CLAIM**

(52) **U.S. Cl.**
USPC **D9/708**

The ornamental design for a “gusseted package,” as shown and described.

(58) **Field of Classification Search**

DESCRIPTION

USPC D9/702–714, 424–426, 428, 430, 432, D9/749, 755, 759, 760; D7/601–602, D7/500, 513, 525, 550.1, 553.1–553.8, D7/546, 541.543; 220/574–575, 220/573.1–573.5, 500, 507, 553–556, 220/675, 528, 669; D30/123, 121, D30/129–133; D6/406.3; 206/557, 561, 206/564, 563, 518
CPC B65D 33/00; B65D 33/12; B65D 33/16; B65D 5/00; B65D 5/48; B65D 31/00; B65D 31/10; B65D 1/00; B65D 1/30; B65D 1/34; B65D 1/36
See application file for complete search history.

FIG. 1 is a perspective view of a gusseted package showing a new design;
FIG. 2 is a front view thereof;
FIG. 3 is a back view thereof;
FIG. 4 is a right view thereof;
FIG. 5 is a left view thereof;
FIG. 6 is a top view thereof;
FIG. 7 is a bottom view thereof;
FIG. 8 is a perspective view of another embodiment of a gusseted package showing a new design;
FIG. 9 is a front view thereof;
FIG. 10 is a back view thereof;
FIG. 11 is a right view thereof;
FIG. 12 is a left view thereof;
FIG. 13 is a top view thereof; and,
FIG. 14 is a bottom view thereof.
The broken lines are included for the purpose of showing portions of the gusseted package that form no part of the claimed design.

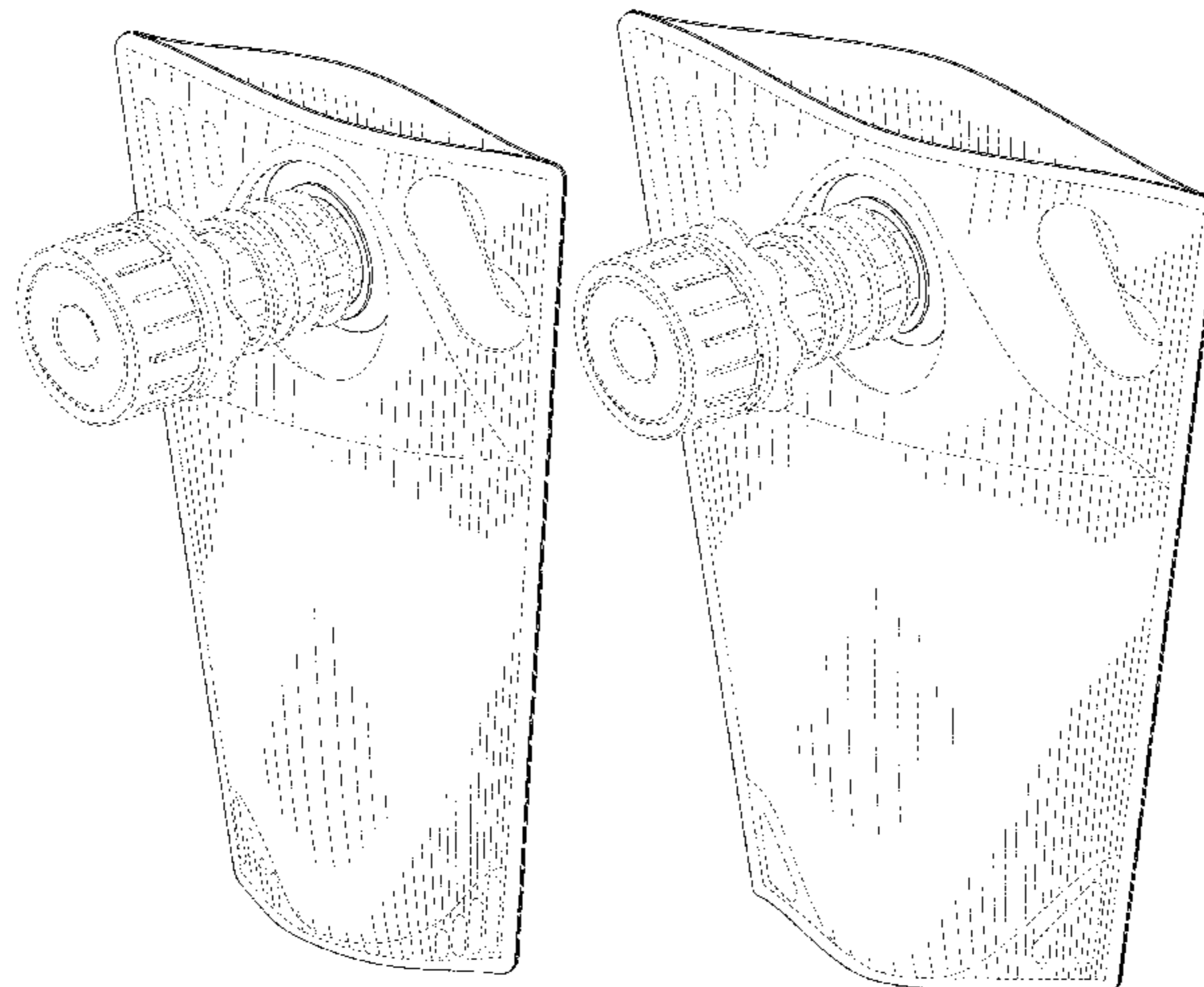
(56) **References Cited**

U.S. PATENT DOCUMENTS

3,770,122 A 11/1973 Thiele
4,783,176 A 11/1988 Ichikawa
D436,846 S * 1/2001 Millon D9/708
D551,567 S * 9/2007 Berman D9/708
D558,596 S * 1/2008 Berman D9/708
D558,601 S * 1/2008 Berman D9/709
D598,783 S * 8/2009 Berman D9/708
D669,795 S * 10/2012 Larkin D9/707

(Continued)

1 Claim, 10 Drawing Sheets



(56)

References Cited

U.S. PATENT DOCUMENTS

D711,251 S *	8/2014	Epstein	D9/707
D786,090 S *	5/2017	Murray	D9/707
9,550,606 B2	6/2017	Crosby	
2013/0270307 A1	10/2013	Crosby	
2017/0129680 A1	5/2017	Murray	

* cited by examiner

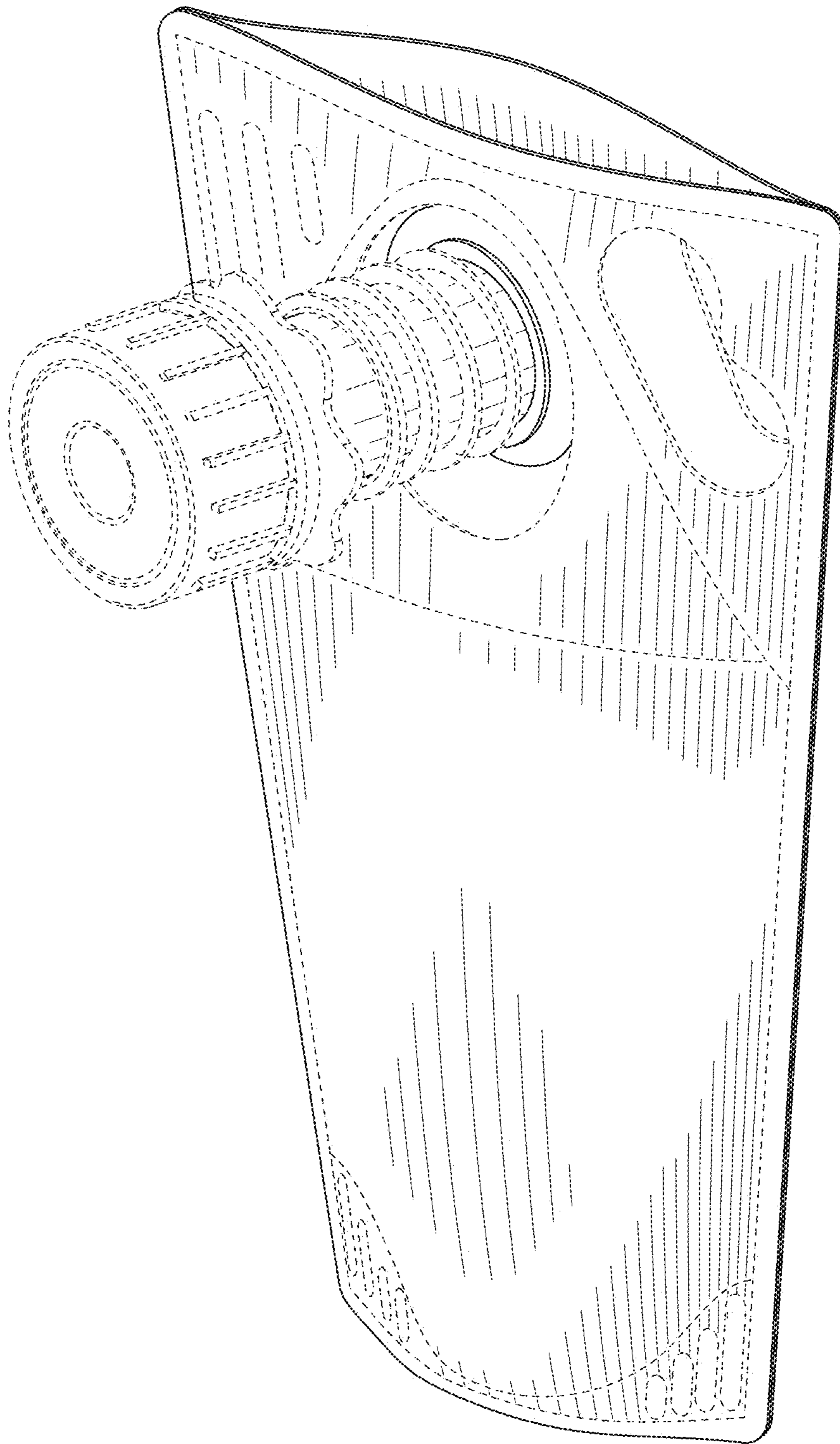


FIG. 1

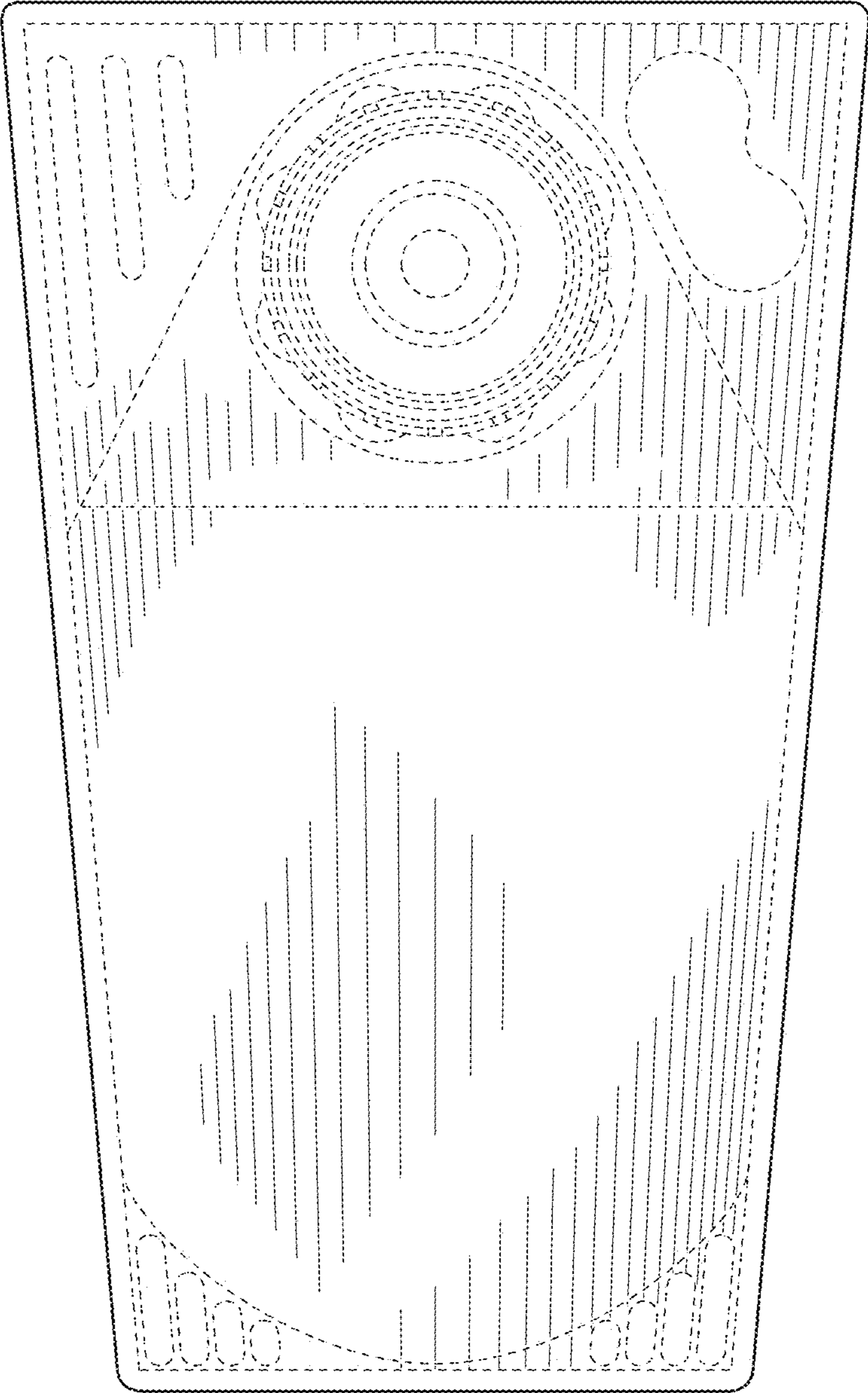


FIG. 2

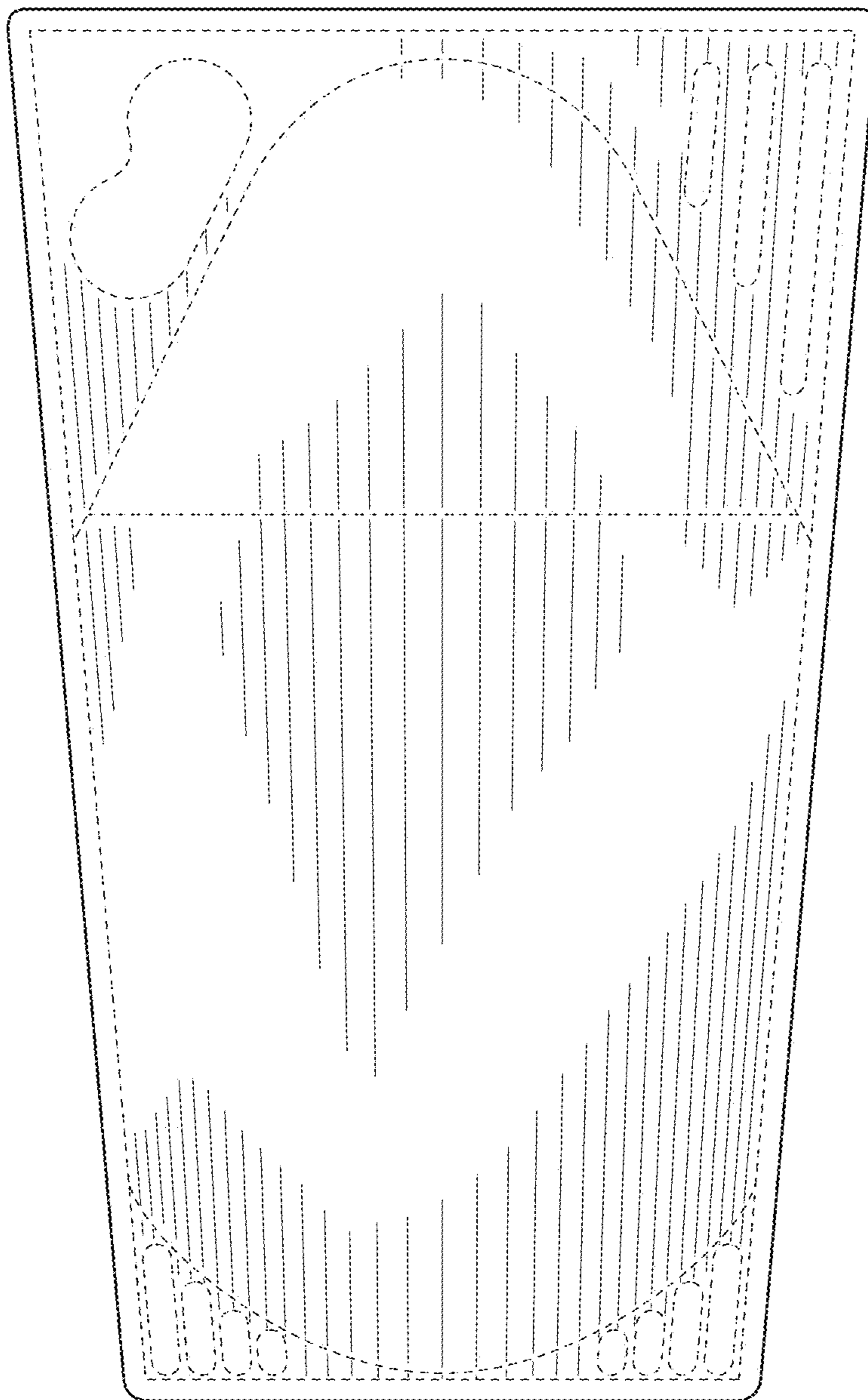


FIG. 3

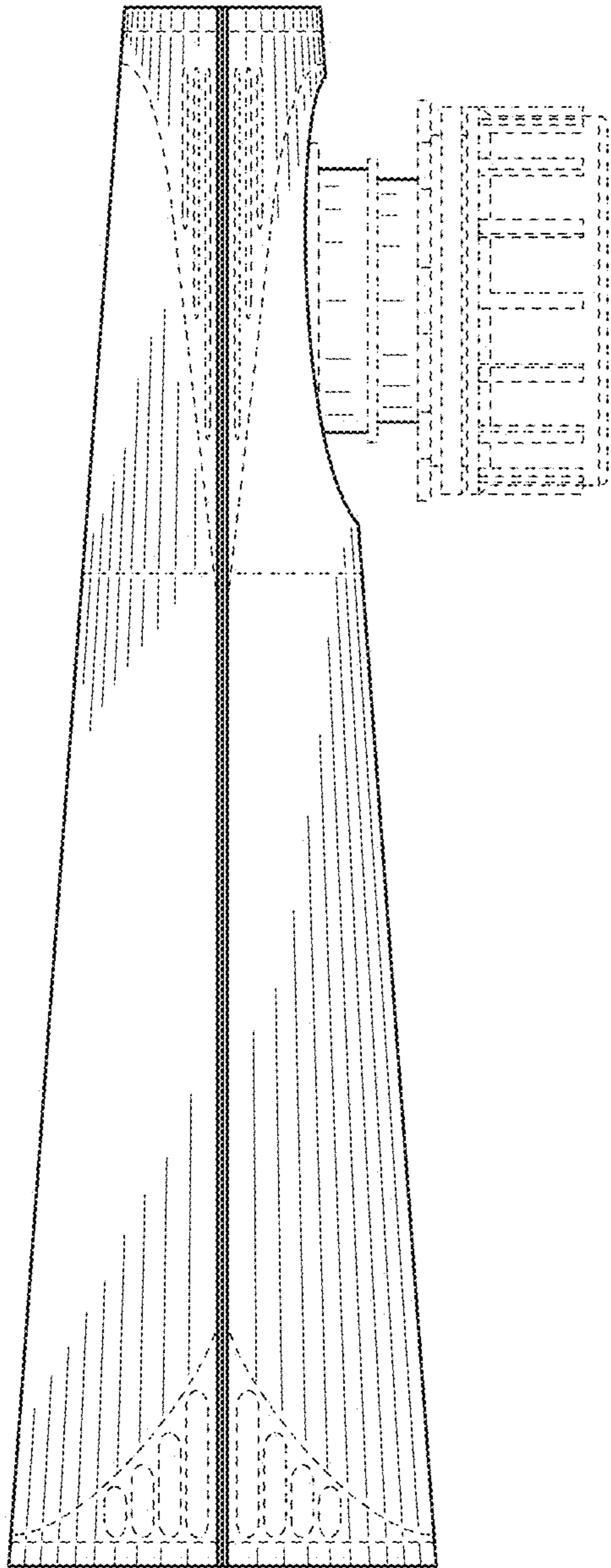


FIG. 4

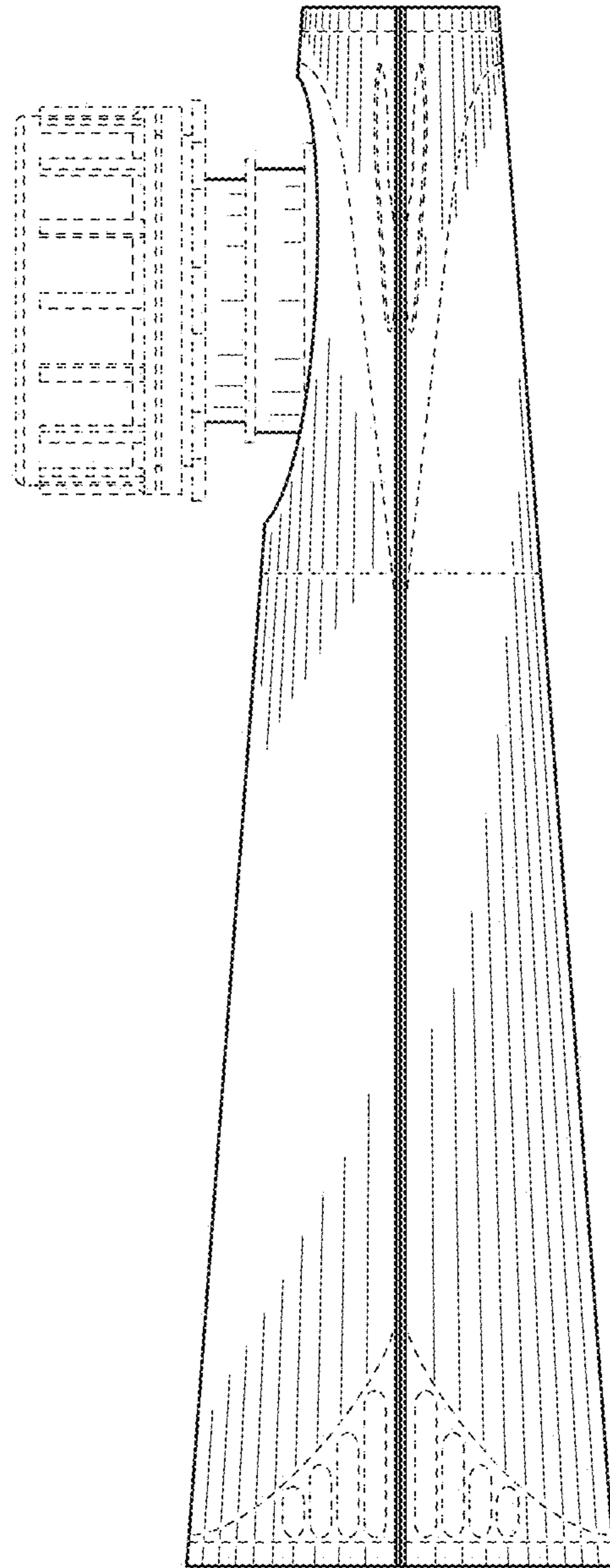


FIG. 5

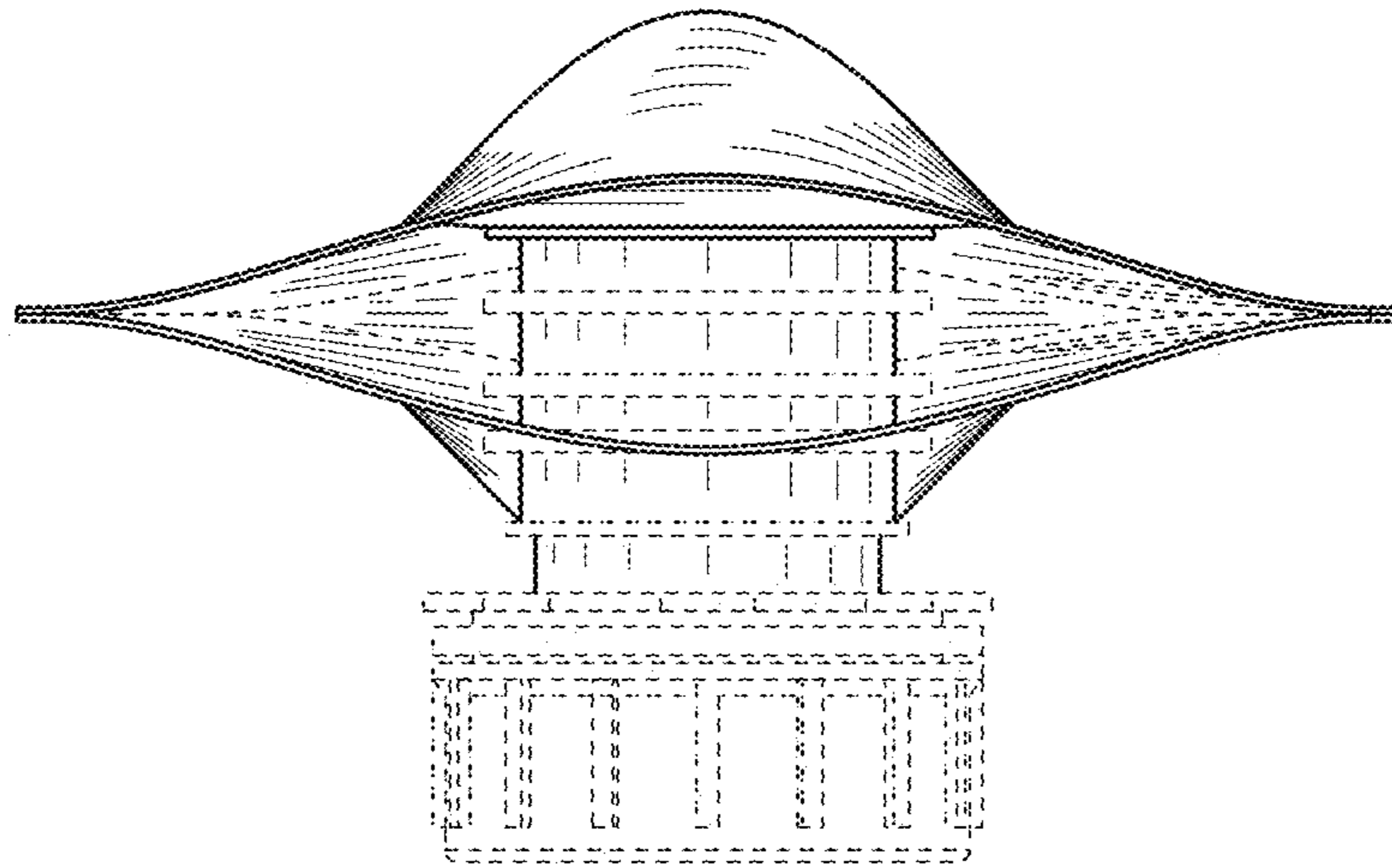


FIG. 6

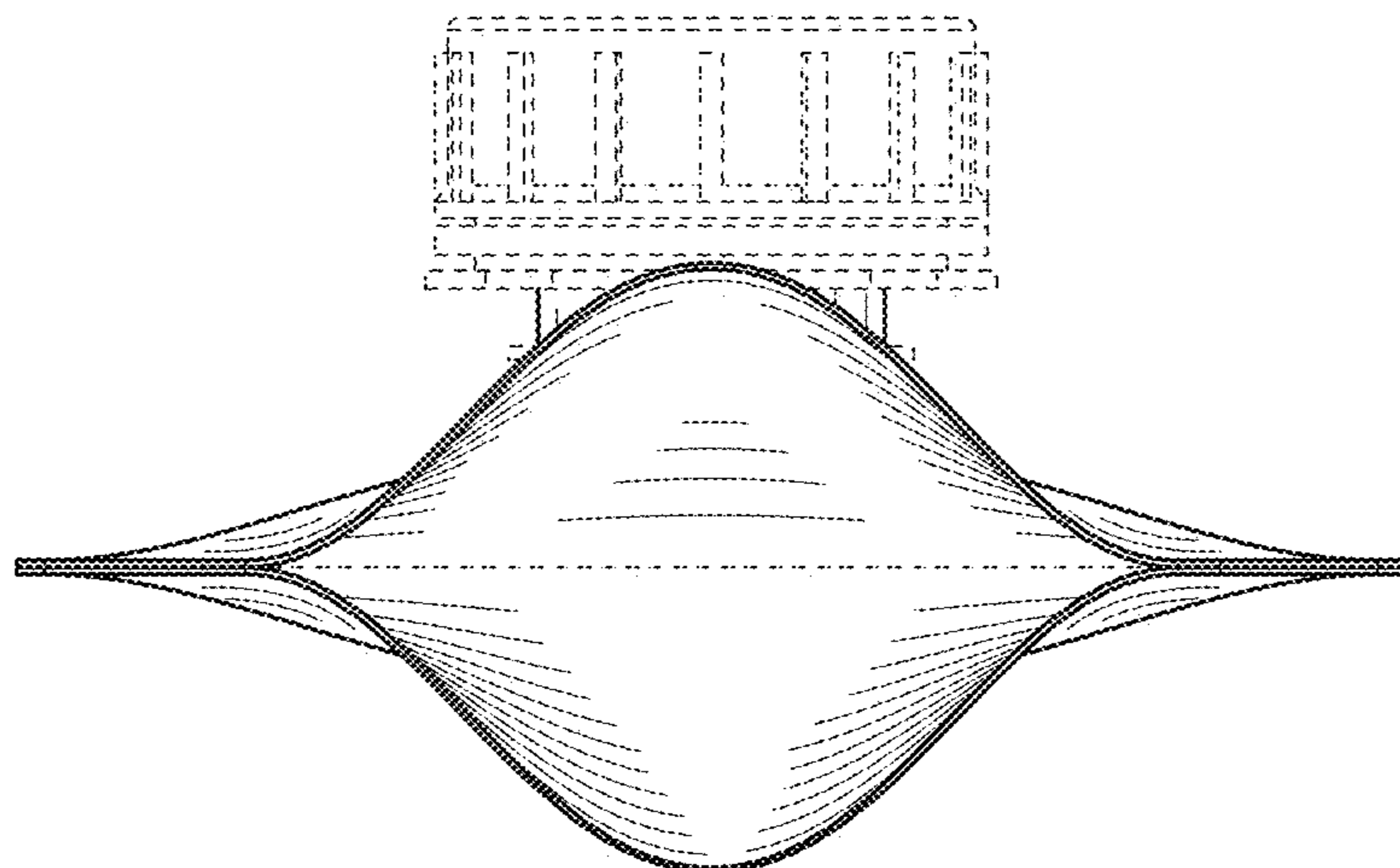


FIG. 7

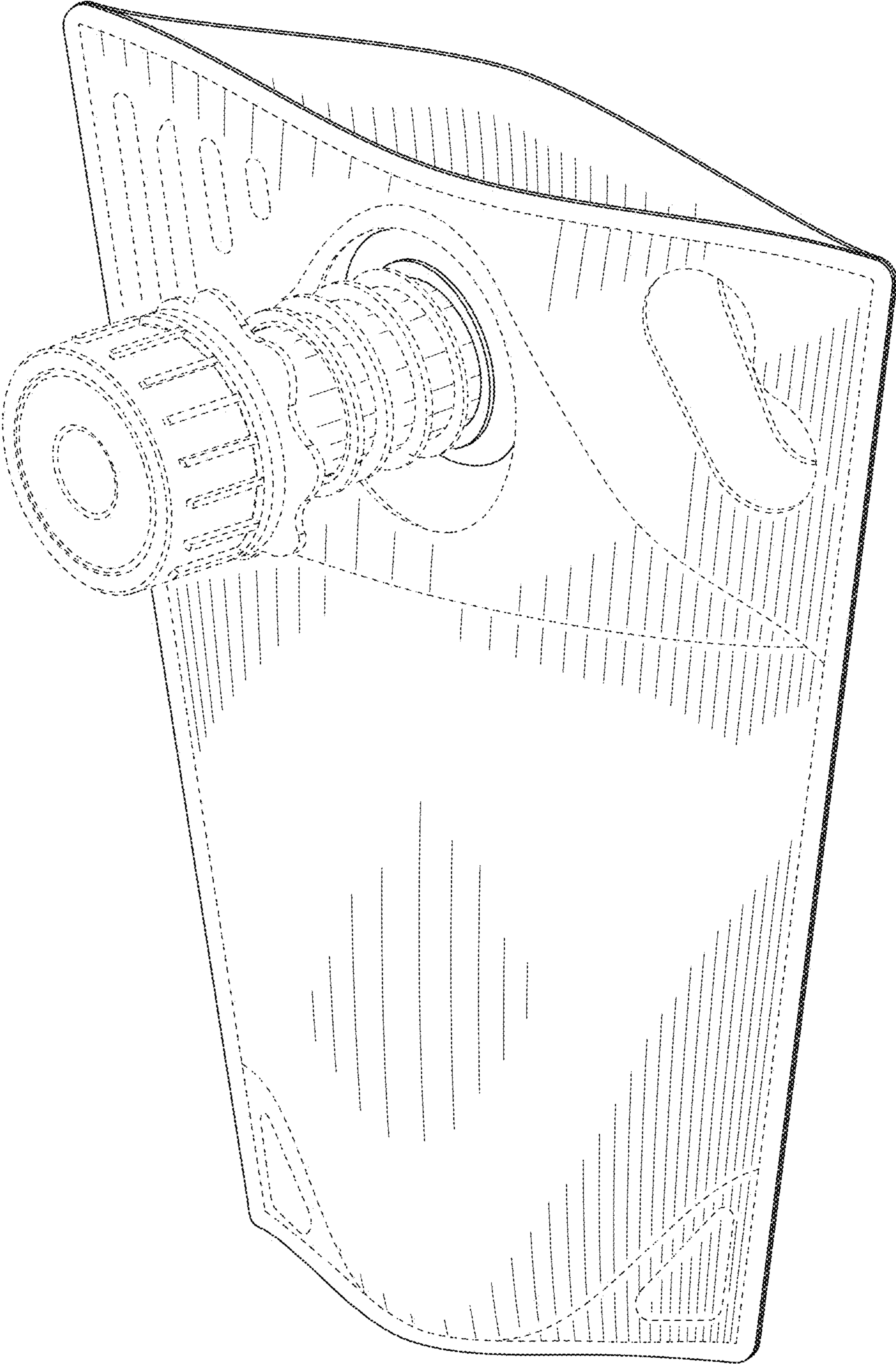


FIG. 8

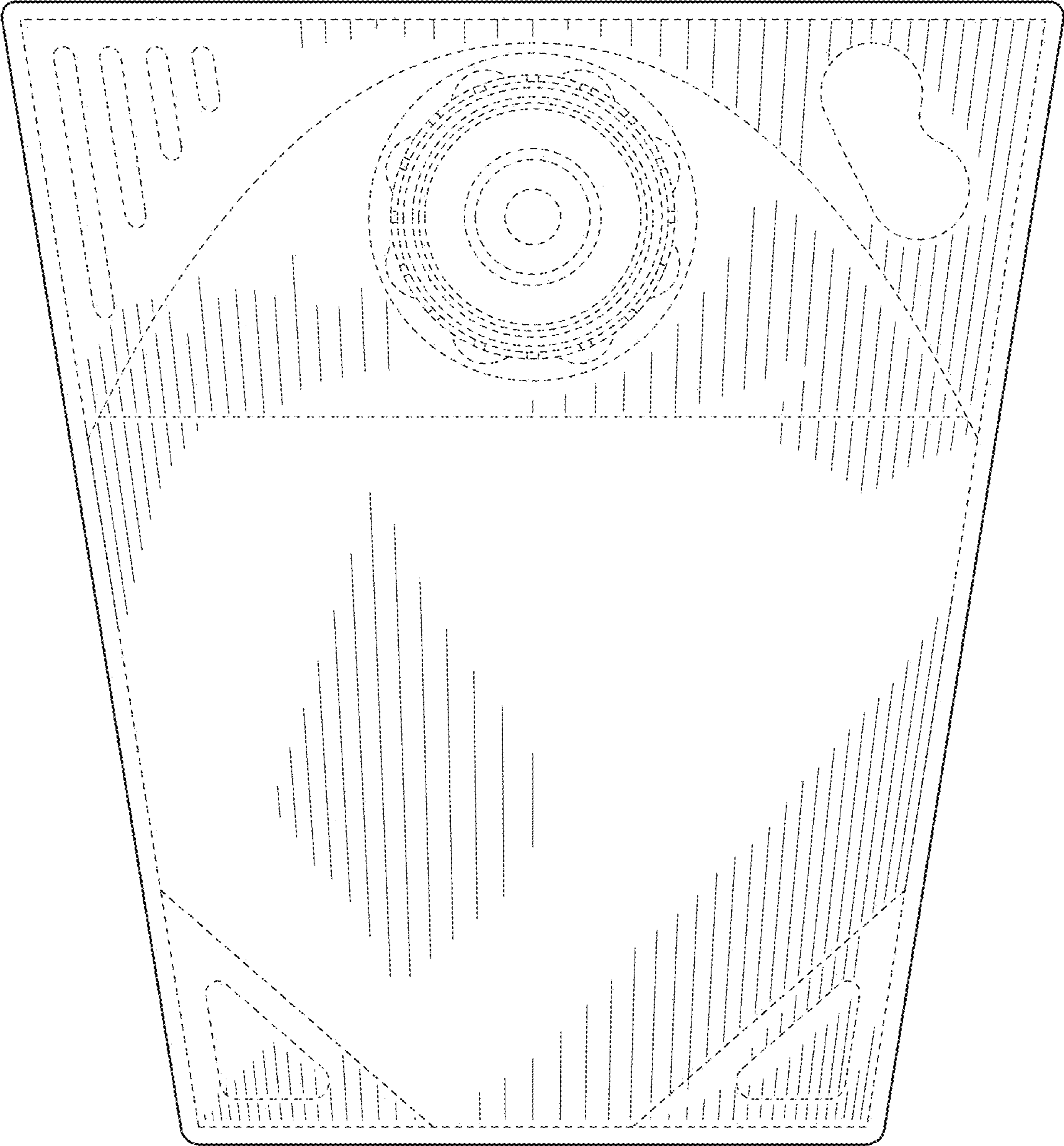


FIG. 9

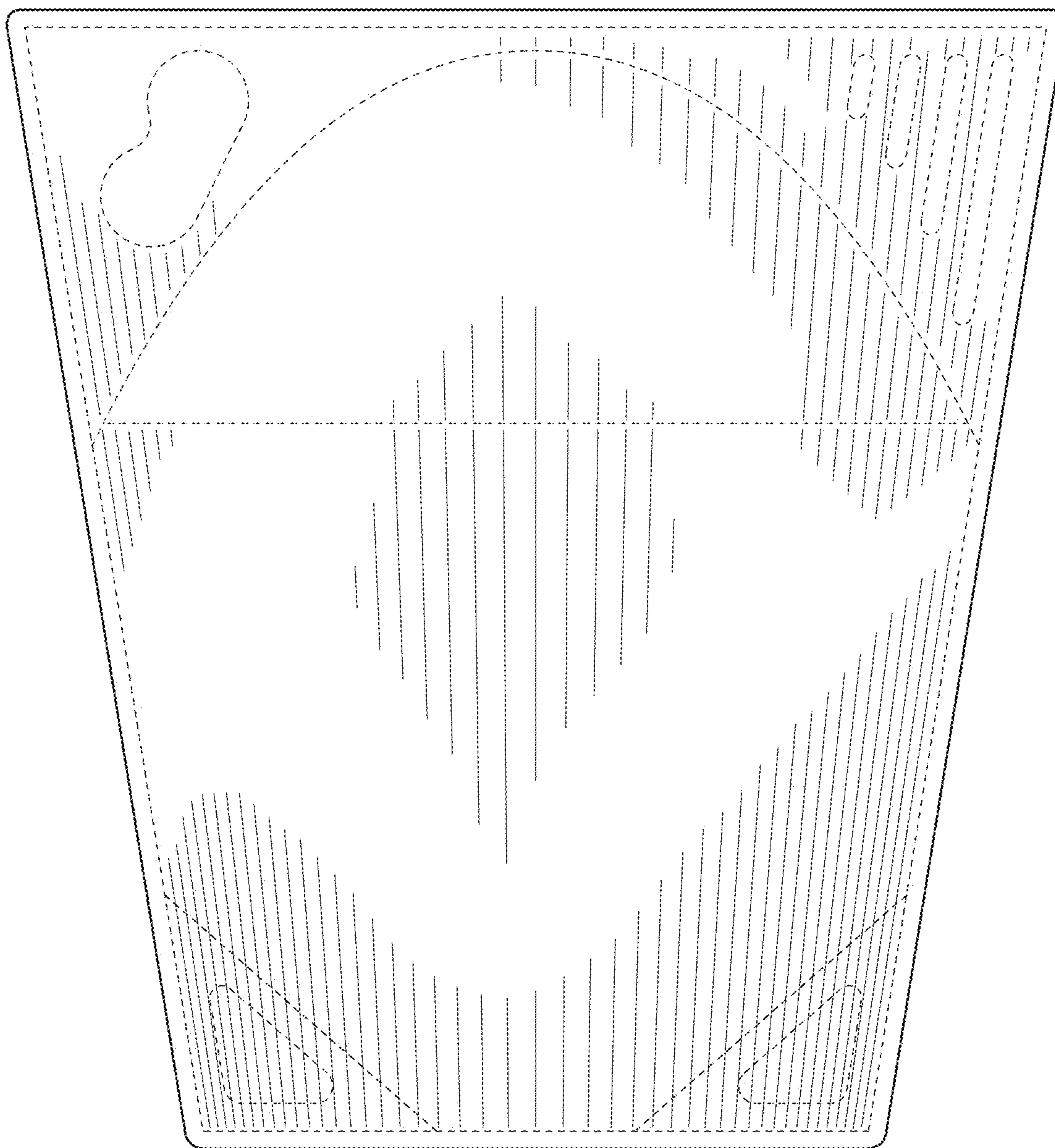


FIG. 10

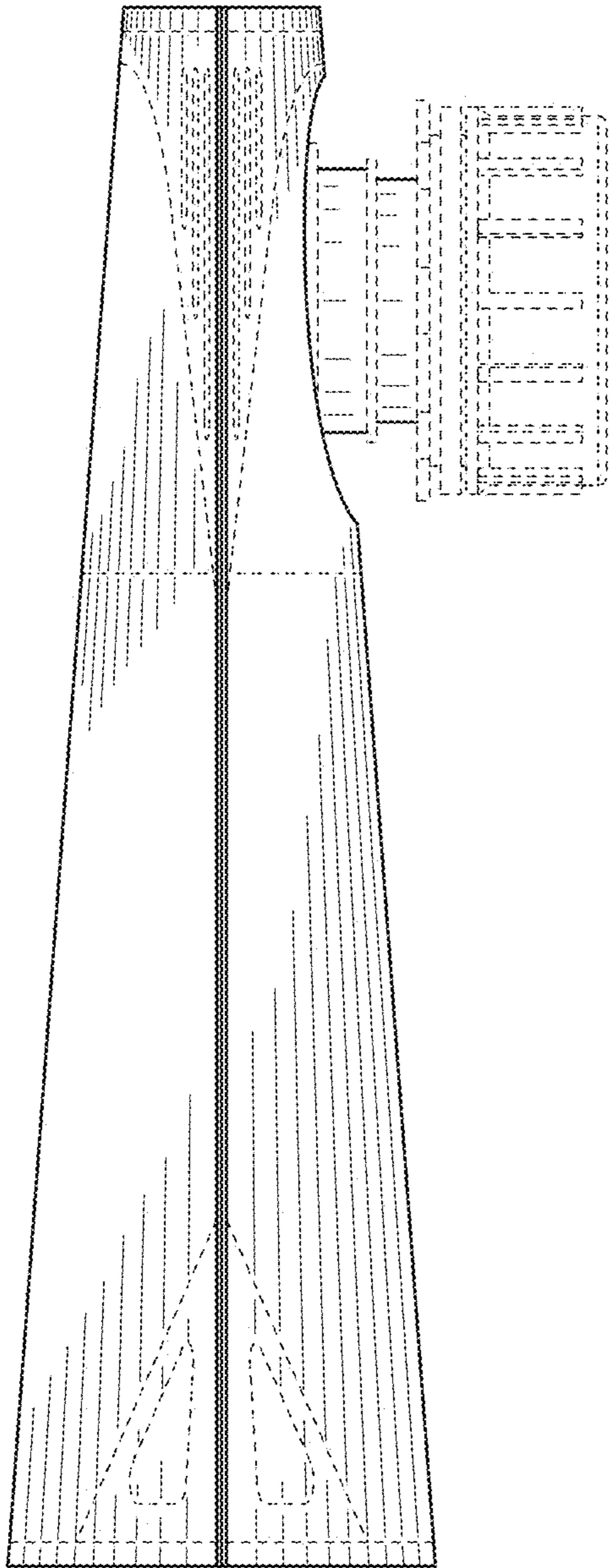


FIG. 11

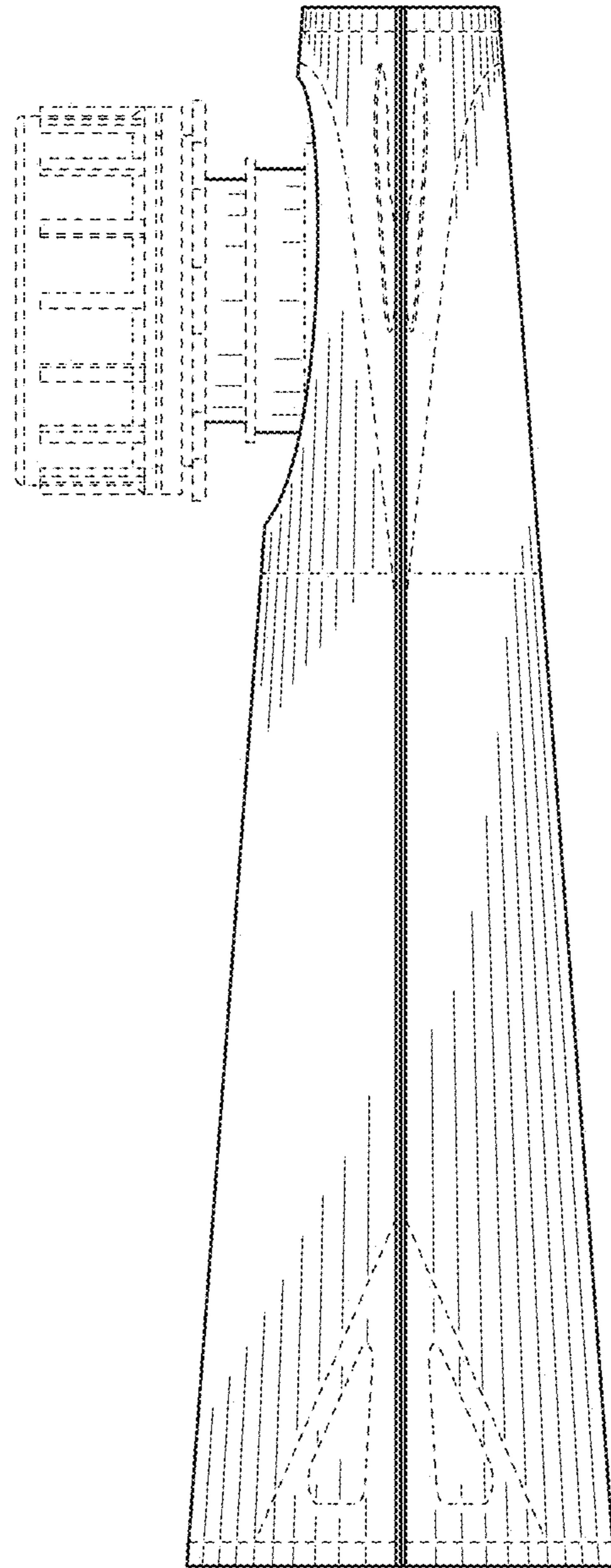


FIG. 12

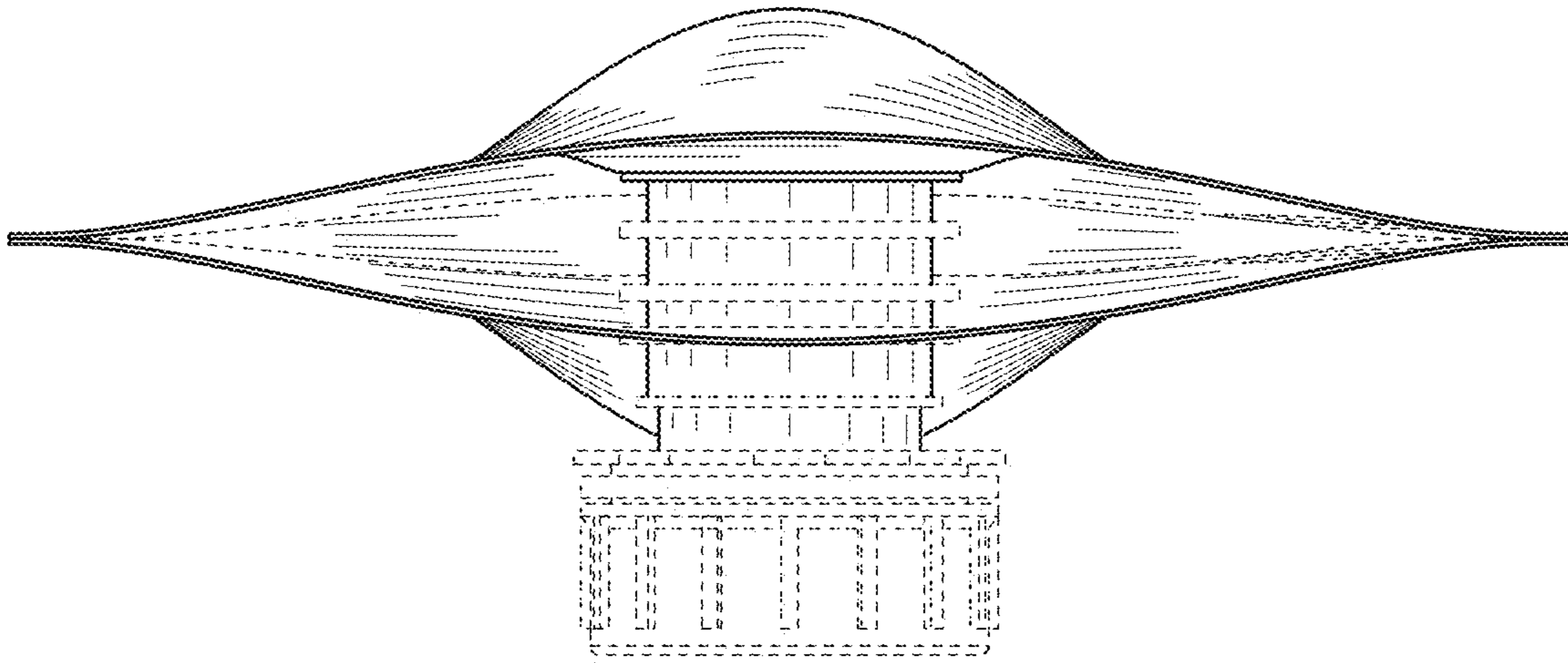


FIG. 13

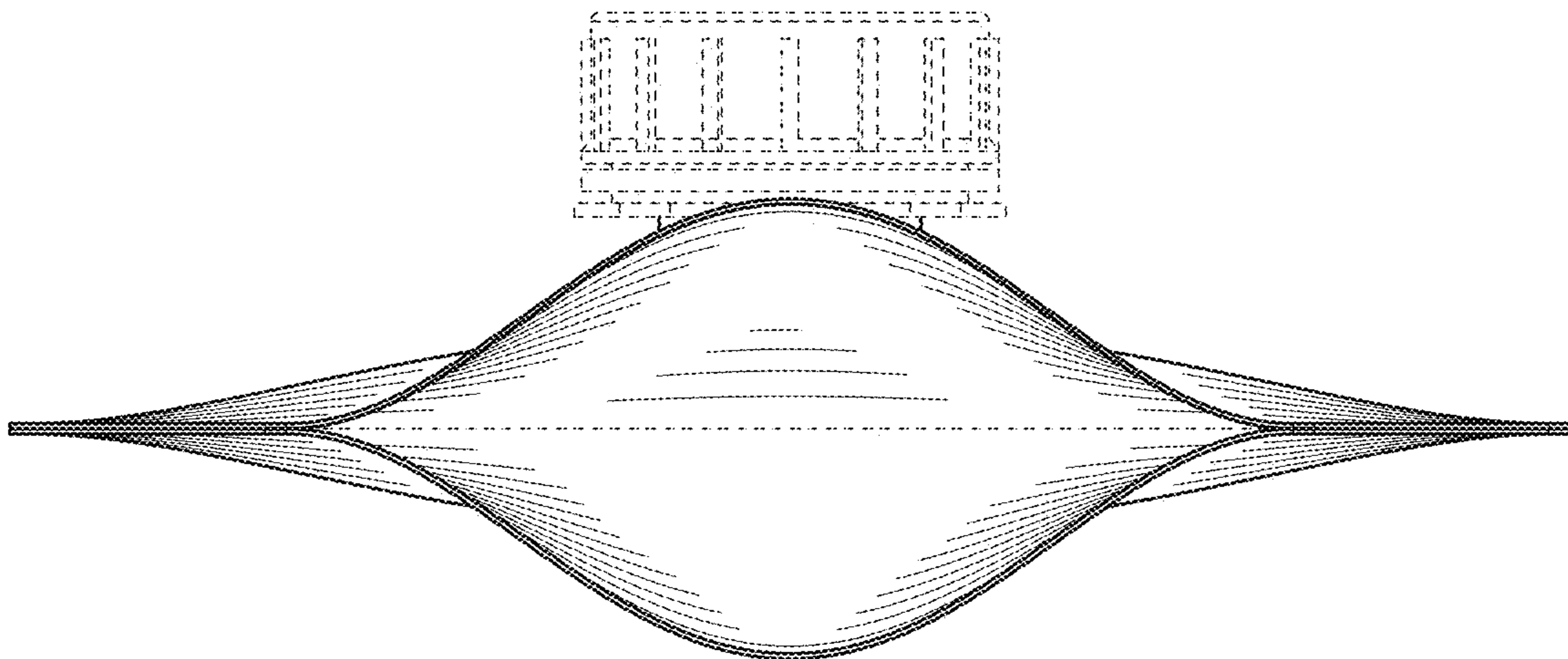


FIG. 14