



US00D870564S

(12) **United States Design Patent** (10) **Patent No.:** **US D870,564 S**
Kinas et al. (45) **Date of Patent:** **** Dec. 24, 2019**

(54) **FLEXIBLE SECURITY BAG WITH LOCKING MEMBER**

E05G 1/005; E05G 1/02; E05G 1/04;
E05B 65/00; E05B 65/0075; E05B 65/52;
E05B 73/00

(71) Applicants: **Jonathan Kinas**, Aventura, FL (US);
Avin Samtani, Miami Beach, FL (US);
Robert Peck, Queensbury, NY (US)

See application file for complete search history.

(72) Inventors: **Jonathan Kinas**, Aventura, FL (US);
Avin Samtani, Miami Beach, FL (US);
Robert Peck, Queensbury, NY (US)

(56) **References Cited**

U.S. PATENT DOCUMENTS

(**) Term: **15 Years**

D250,748 S *	1/1979	Leger	D9/420
D263,116 S *	2/1982	Cain	D9/432
D265,889 S *	8/1982	Lawrence	D9/418
D537,357 S *	2/2007	Holt	D3/241
D593,408 S *	6/2009	Bone	D9/431
D601,418 S *	10/2009	Bone	D9/431
D752,988 S *	4/2016	Brown	D9/631
D767,408 S *	9/2016	Shuster	D9/703

(21) Appl. No.: **29/618,400**

(22) Filed: **Sep. 21, 2017**

* cited by examiner

Related U.S. Application Data

(63) Continuation-in-part of application No. 15/478,746, filed on Apr. 4, 2017, which is a continuation-in-part of application No. 14/850,430, filed on Sep. 10, 2015, now Pat. No. 9,822,578.

Primary Examiner — Abraham Bahta

(74) *Attorney, Agent, or Firm* — Richard Allison

(51) **LOC (12) Cl.** **09-05**

(57) **CLAIM**

The ornamental design for a flexible security bag with locking member, as shown and described.

(52) **U.S. Cl.**
USPC **D9/705**

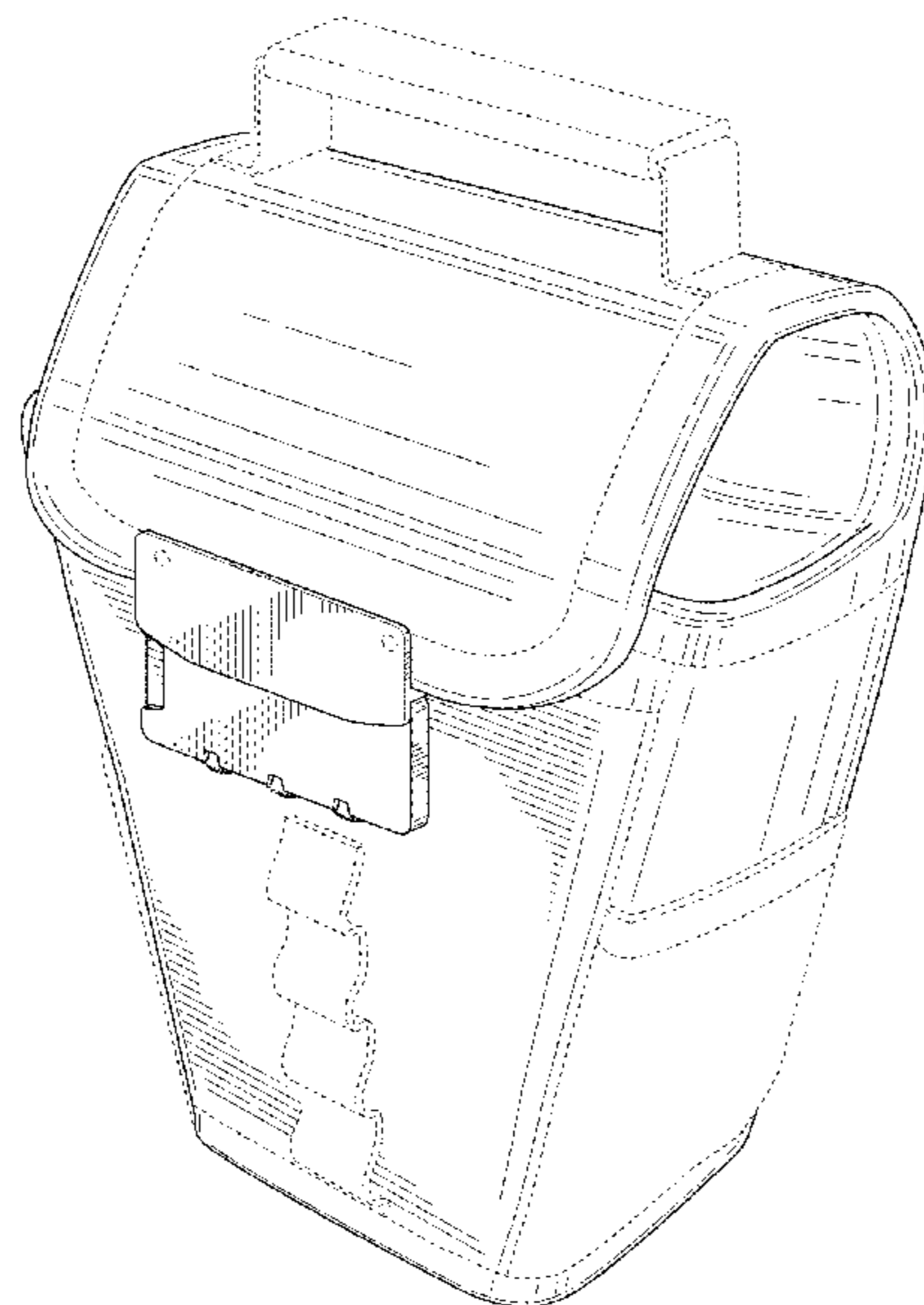
DESCRIPTION

(58) **Field of Classification Search**
USPC D9/702–714, 499, 442–443, 434–435, D9/415; D24/118, 121, 207; 426/106; 383/61.1, 42, 119–120, 106–108, 103, 383/127, 114, 907; D3/203.1, 303, 203.2; D27/183, 185, 189; 222/92, 107, 215; 220/495.03; 206/406, 811, 484, 260, 527, 206/248; 428/35.2
CPC B65D 33/004; B65D 33/00; B65D 33/06; B65D 33/12; B65D 29/00; B65D 29/04; B65D 31/00; B65D 31/005; B65D 31/10; B65D 31/02; B65D 31/04; B65D 31/18; B65D 81/00; B65D 81/36; E05G 1/00;

FIG. 1 is a perspective view of the flexible security bag with locking member in a closed condition showing our design; FIG. 2 is a front view thereof; FIG. 3 is a right side view thereof; FIG. 4 is a left side view thereof; FIG. 5 is a back view thereof; FIG. 6 is a top view thereof; and, FIG. 7 is a perspective view thereof, the bag shown in an open condition.

The broken lines depict environmental subject matter and form no part of the claimed design.

1 Claim, 6 Drawing Sheets



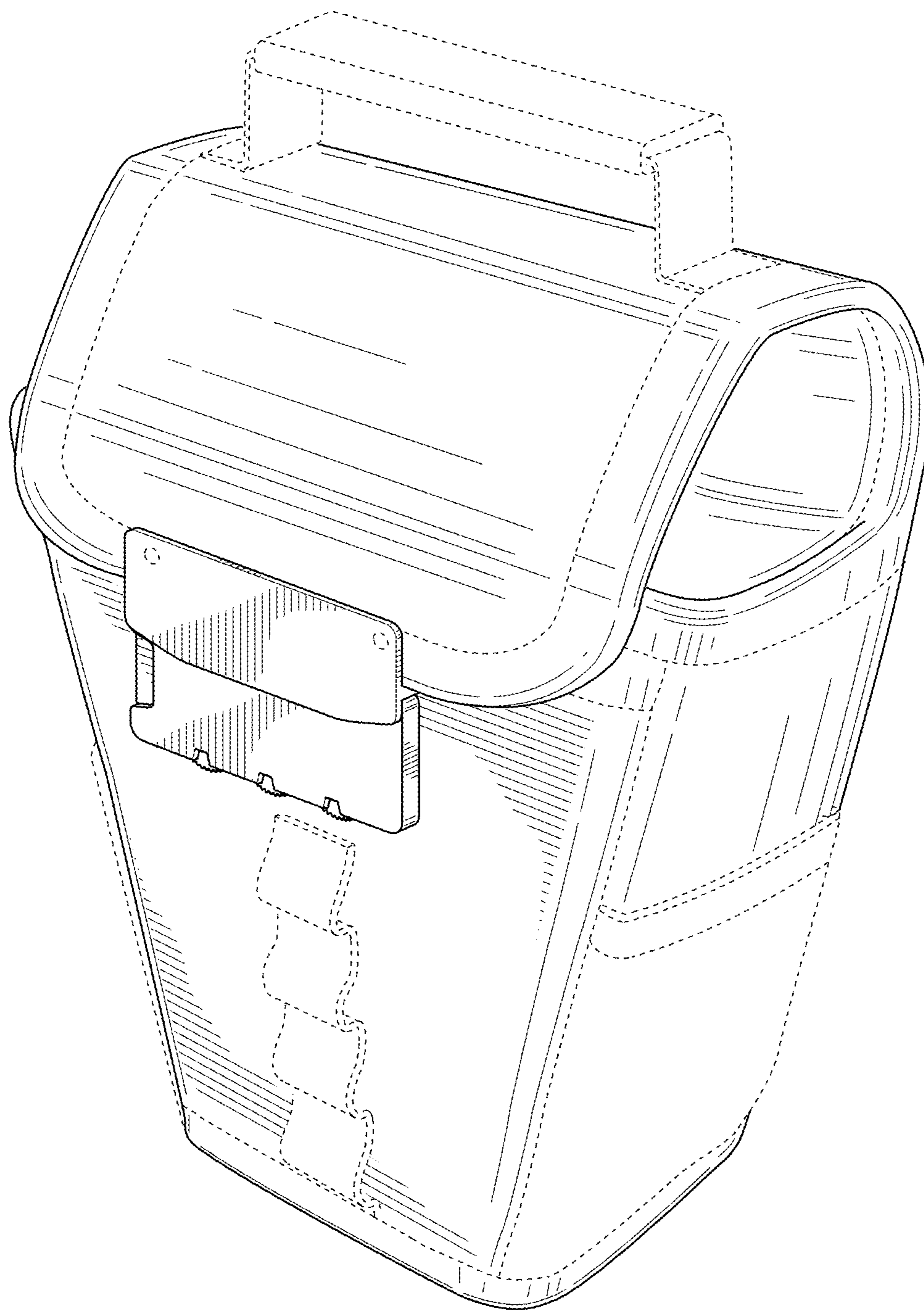


FIG. 1

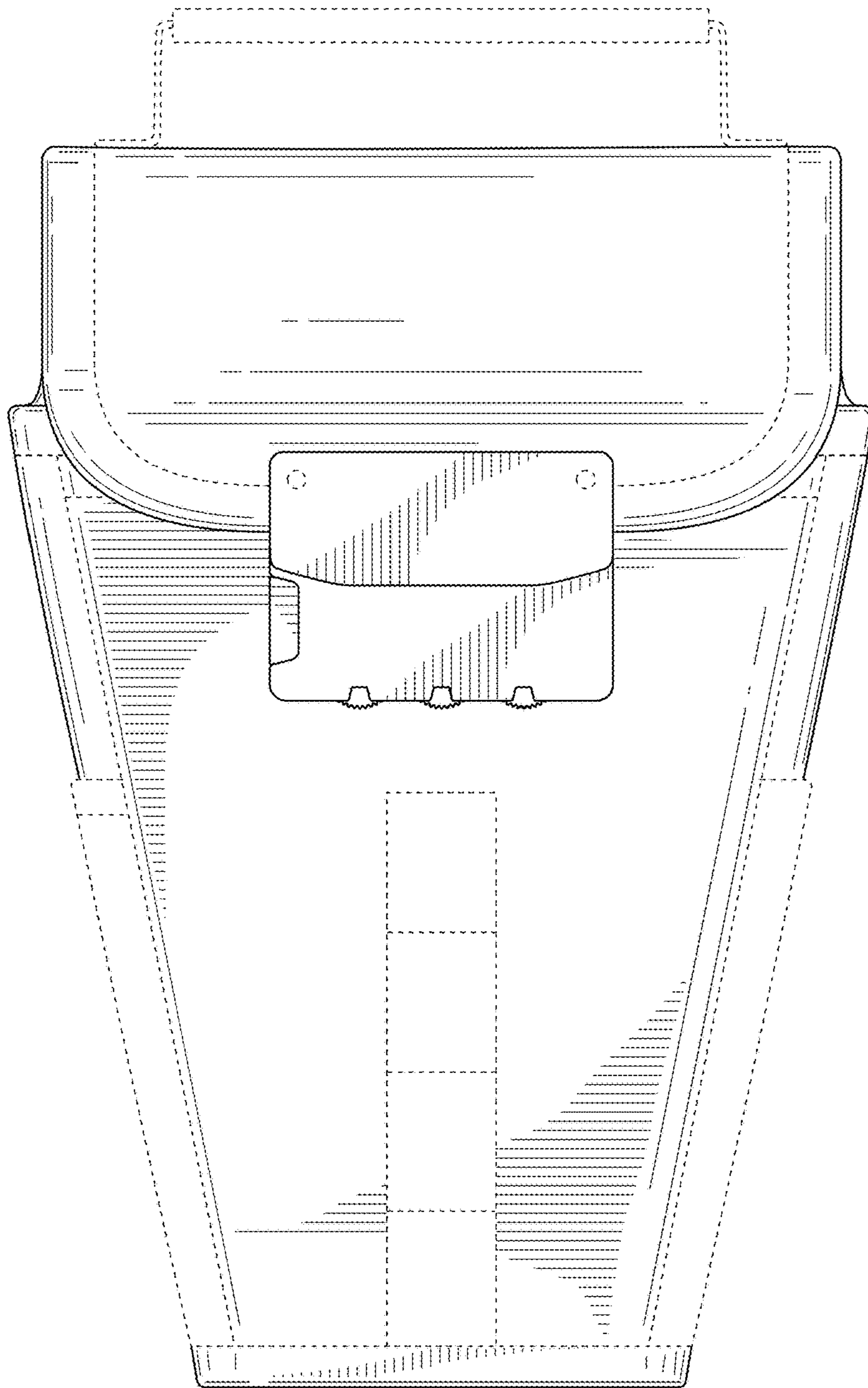


FIG. 2

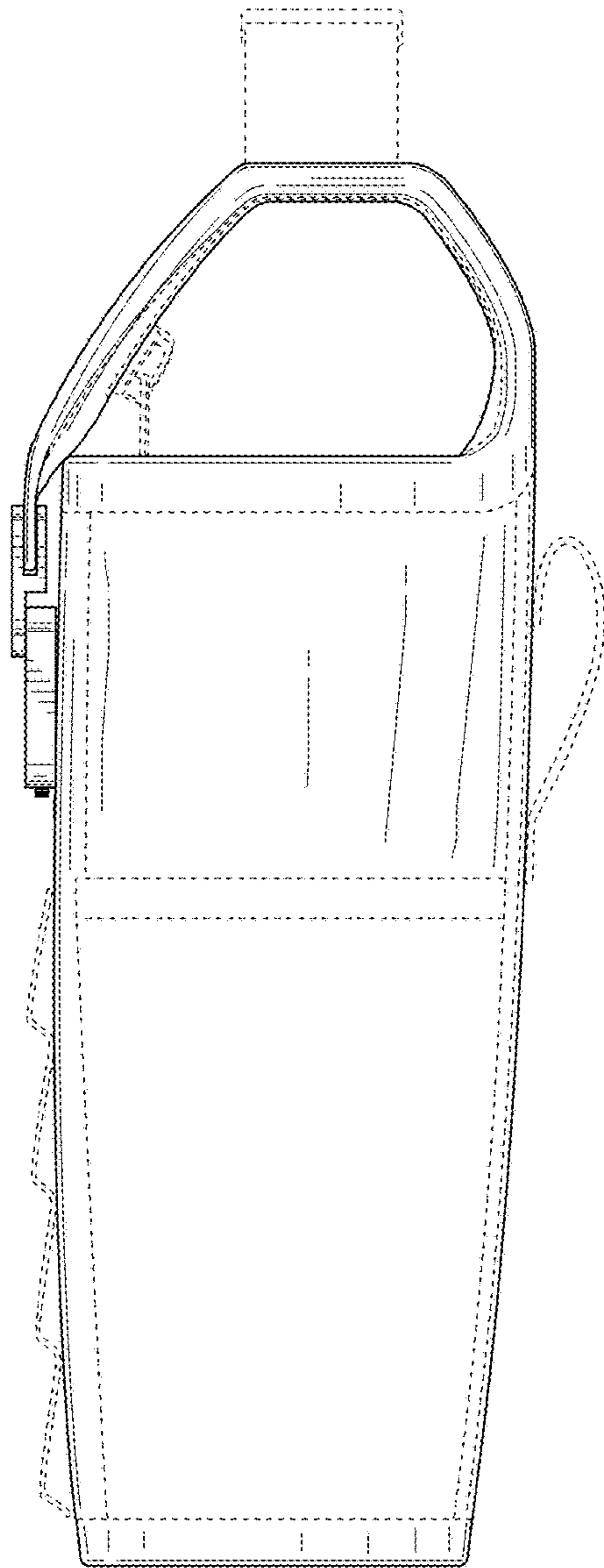


FIG. 3

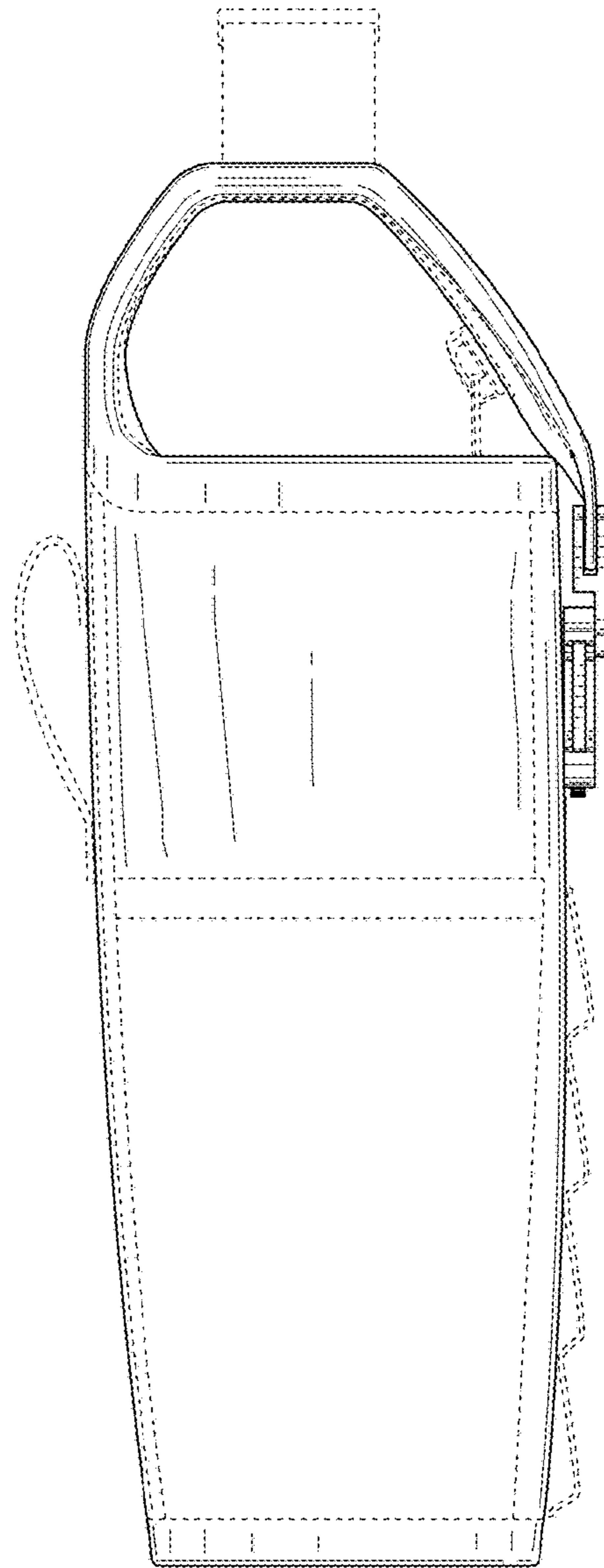


FIG. 4

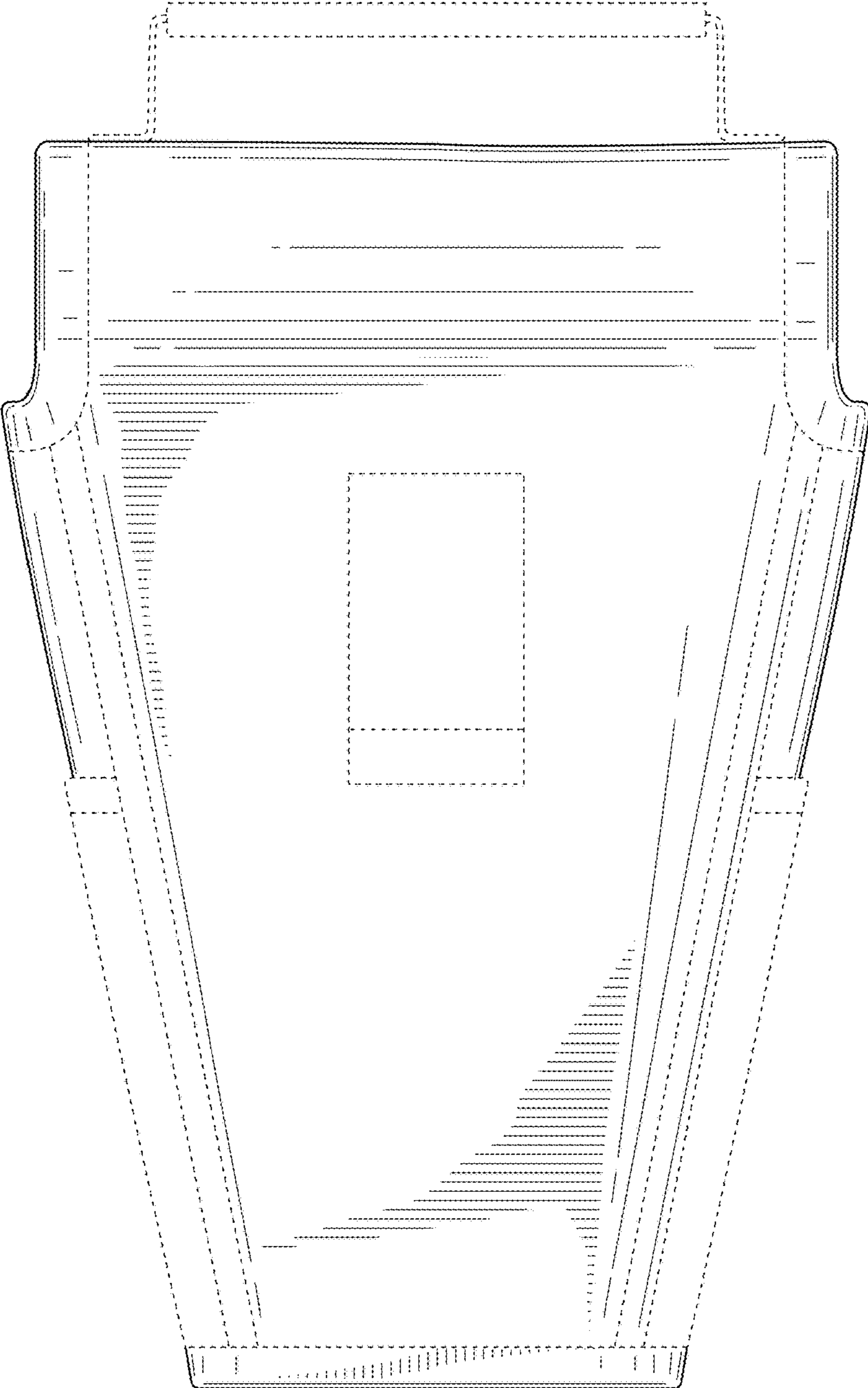


FIG. 5

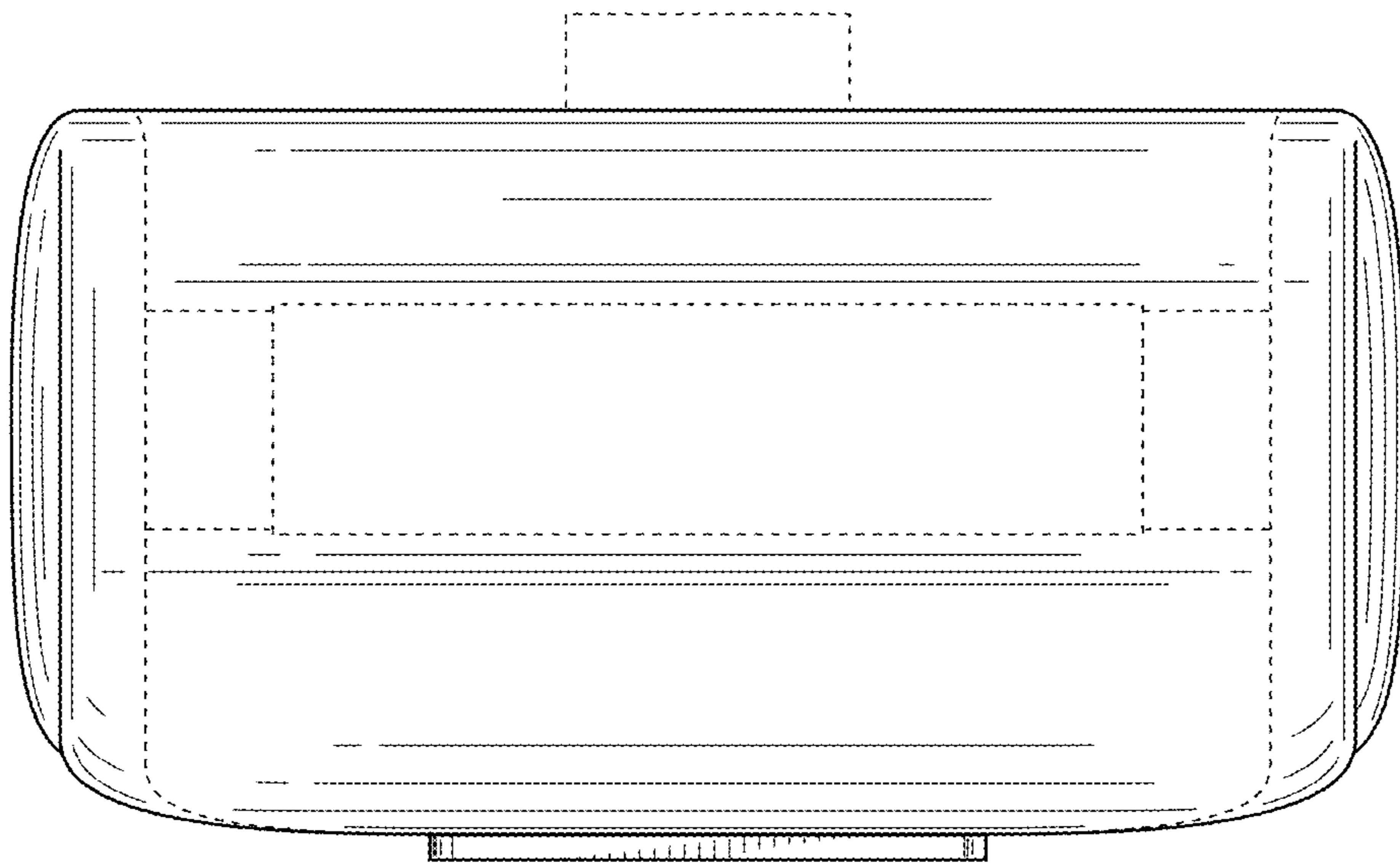


FIG. 6

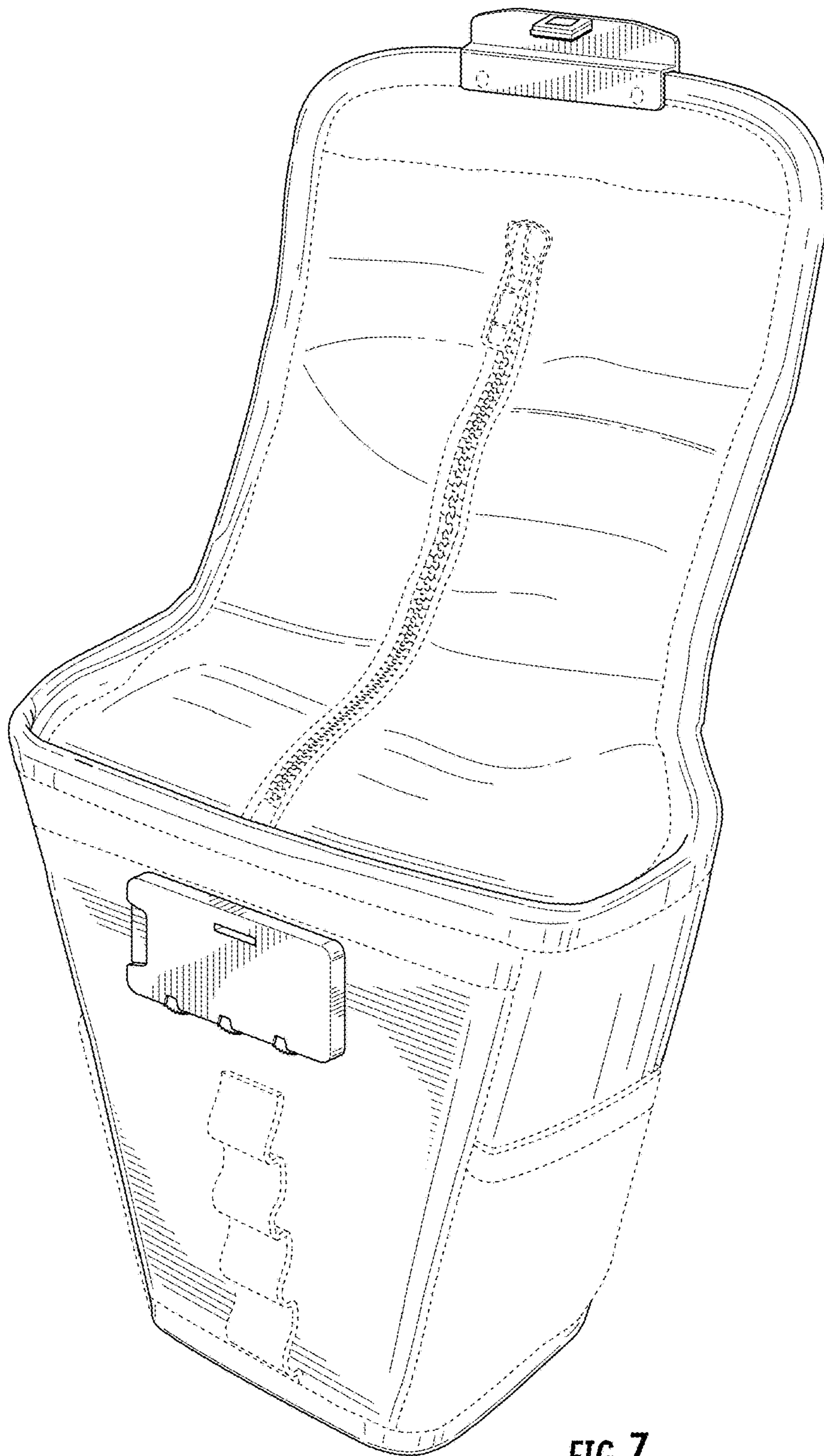


FIG. 7