



US00D870563S

(12) **United States Design Patent** (10) **Patent No.:** **US D870,563 S**
Dadon et al. (45) **Date of Patent:** **** Dec. 24, 2019**

(54) **GEL NAIL POLISH TUBE AND BRUSH APPLICATOR**

(71) Applicants: **Lior Dadon**, Chatsworth, CA (US);
Benny Dadon, Chatsworth, CA (US)

(72) Inventors: **Lior Dadon**, Chatsworth, CA (US);
Benny Dadon, Chatsworth, CA (US)

(**) Term: **15 Years**

(21) Appl. No.: **29/661,478**

(22) Filed: **Aug. 28, 2018**

(51) **LOC (12) Cl.** **09-05**

(52) **U.S. Cl.**
USPC **D9/697**

(58) **Field of Classification Search**

USPC D9/702-714, 695-699, 435, 440, 521,
D9/454, 544, 723-724, 499, 449,
D9/727-728, 442, 447, 504; 222/92, 96,
222/107, 527-529, 215, 491, 206,
222/212-213, 251, 95, 536; 206/438,
206/822, 527; 220/DIG. 7, 669;
215/321, 382, 316, 380; 141/114-115;
D28/91.1, 76-78, 82, 88; D24/114;
D3/202, 205, 203.2, 270, 271.1-271.4;
D7/510, 514-520, 599, 601-602,
D7/612-615, 619.2, 628-629
CPC B65D 35/00; B65D 35/28; B65D 35/02;
B65D 35/04; B65D 35/08; B65D 35/36;
B65D 35/38; B65D 5/00; B65D 5/001;
B65D 5/4258; B65D 1/0223; B65D 1/02;
B65D 1/10; B65D 1/46; B65D 23/00;
B65D 2585/00; B65D 81/60; B65D
81/365; B65D 81/366; B65D 81/368;
B65D 2203/00; B65D 2203/02

See application file for complete search history.

(56) **References Cited**

U.S. PATENT DOCUMENTS

D660,717 S * 5/2012 Nickel D9/699
D692,319 S * 10/2013 Moreau D9/724
D830,197 S * 10/2018 Villarreal D9/724
D853,248 S * 7/2019 Betts D9/723

* cited by examiner

Primary Examiner — Abraham Bahta

(74) *Attorney, Agent, or Firm* — Lawson & Associates;
Robert J. Lawson, Esq.

(57) **CLAIM**

We claim the ornamental design for a gel nail polish tube and brush applicator, as shown and described.

DESCRIPTION

FIG. 1 is a front perspective view of the gel nail polish tube and brush applicator.

FIG. 2 is a front view thereof, the rear view being a mirror image.

FIG. 3 is a left side elevation view thereof, the right side elevation view being a mirror image.

FIG. 4 is a bottom view thereof.

FIG. 5 is a top plan view thereof.

FIG. 6 is an exploded perspective view thereof.

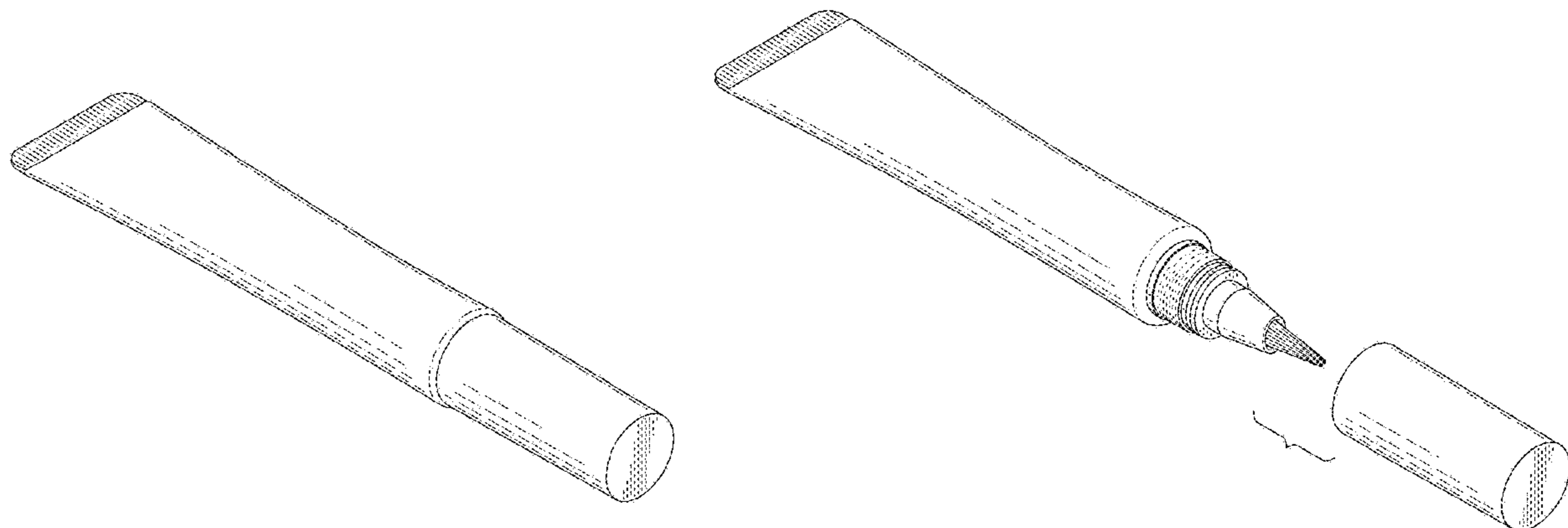
FIG. 7 is an reverse exploded perspective view thereof.

FIG. 8 is an exploded front view thereof, the exploded rear view being a mirror image; and,

FIG. 9 is an exploded left side elevation view, the exploded right side elevation view being a mirror image.

The broken lines shown are for illustration purposes only and form no part of the claimed design.

1 Claim, 4 Drawing Sheets



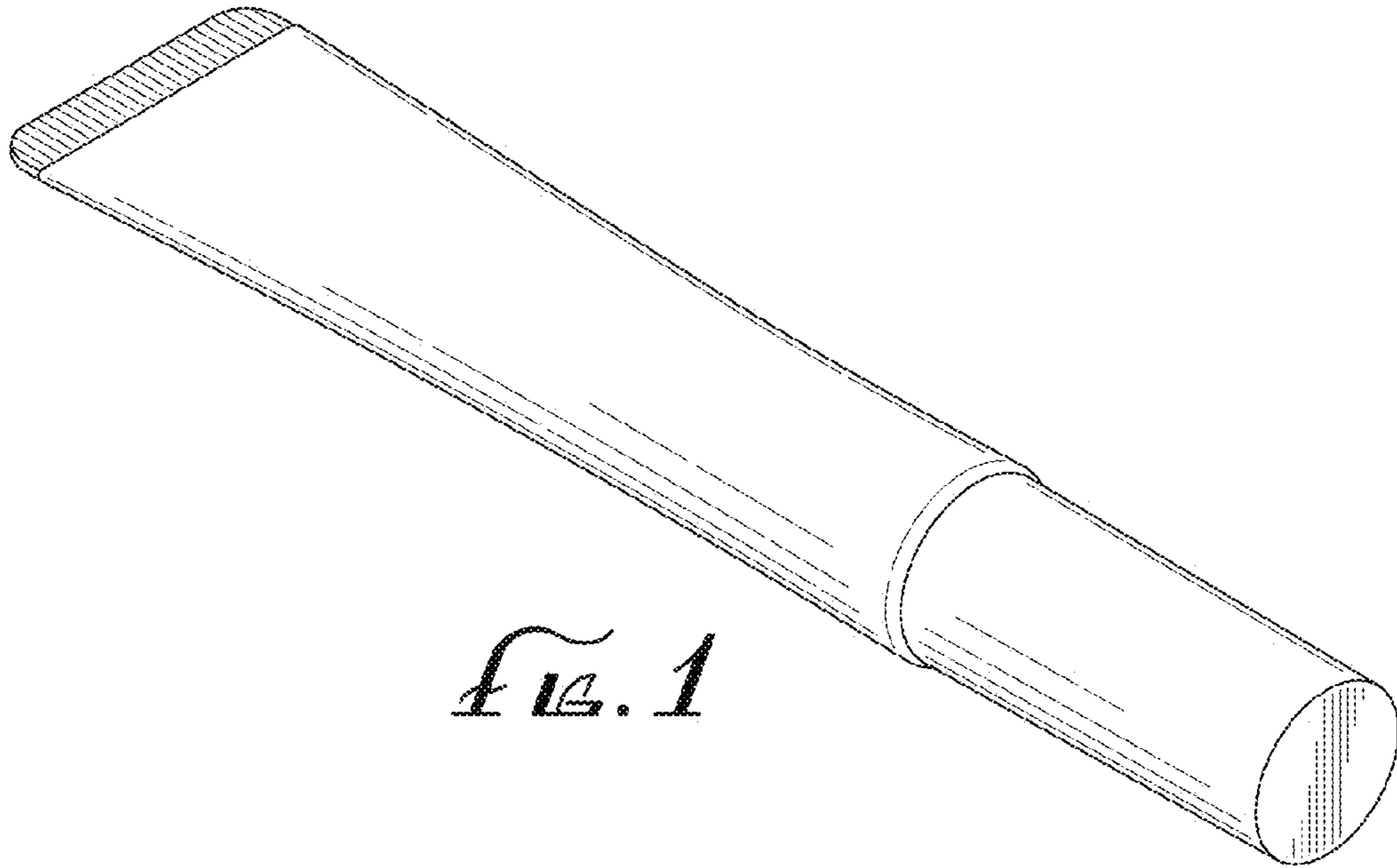


FIG. 1

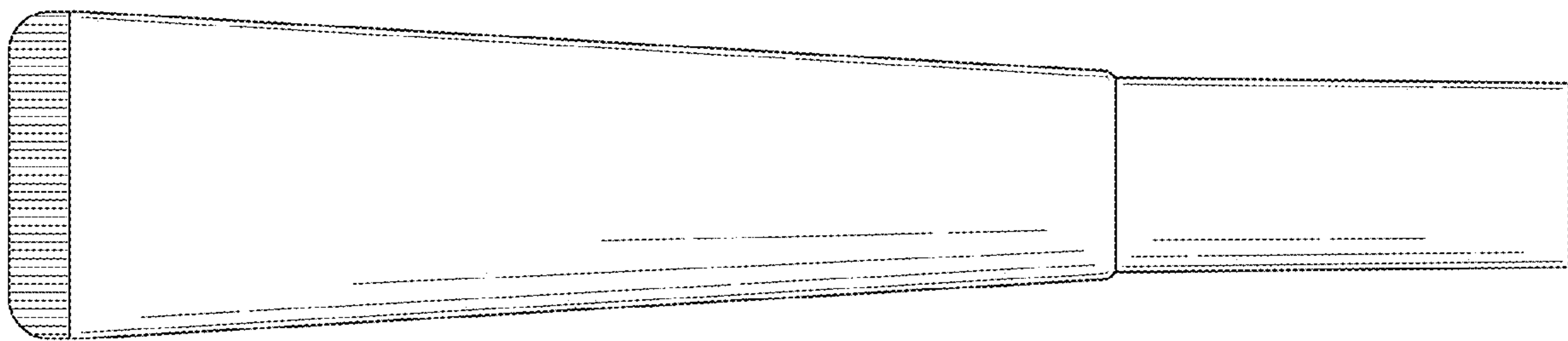


FIG. 2

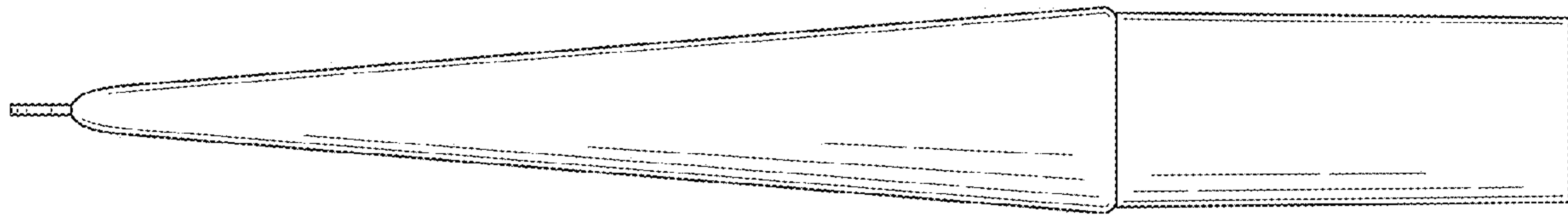


FIG. 3

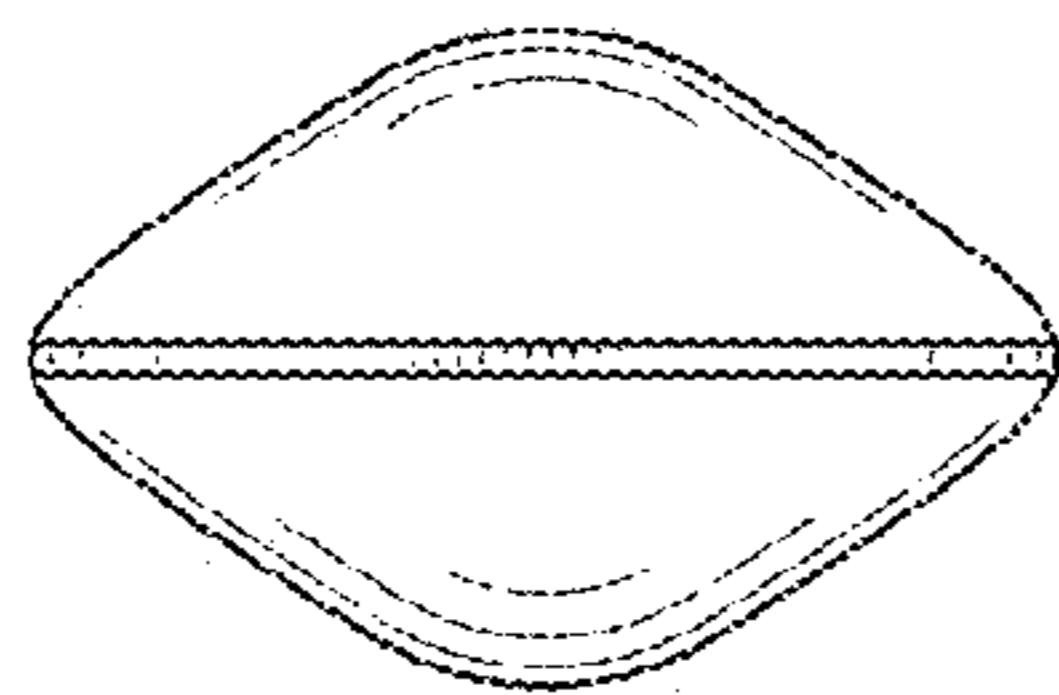


FIG. 4

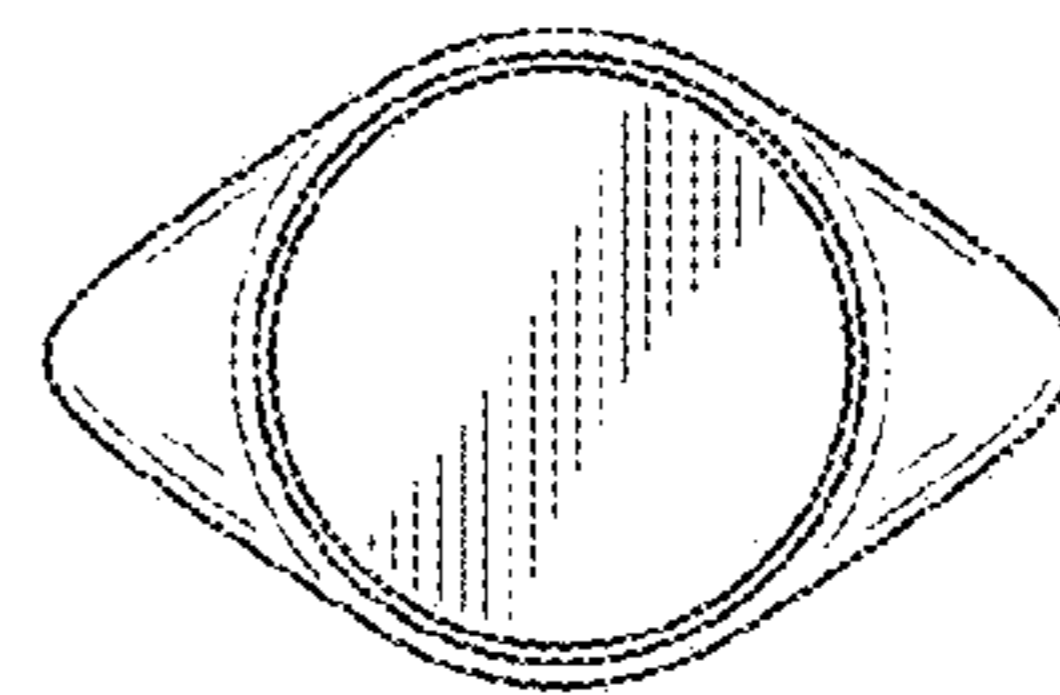
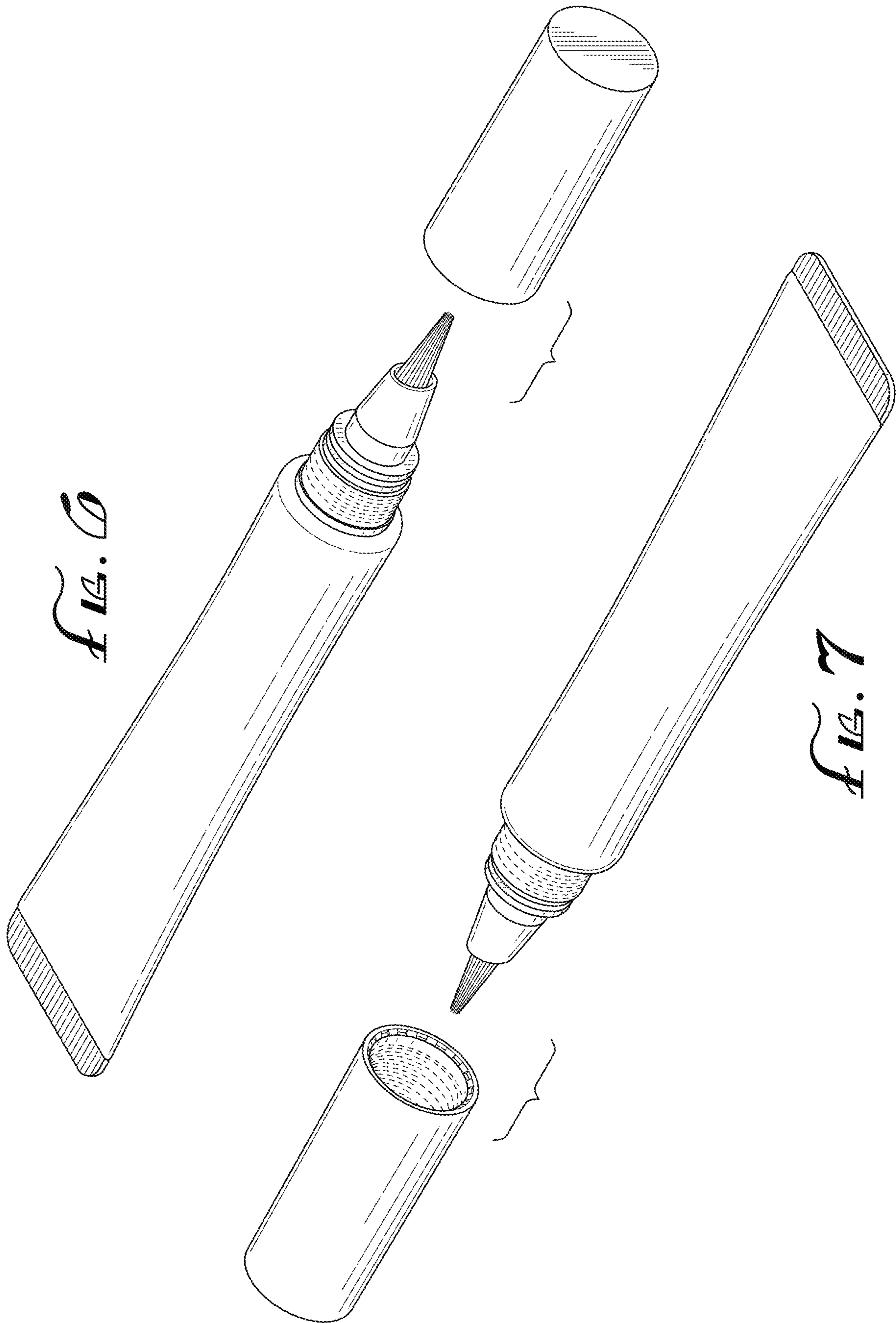


FIG. 5



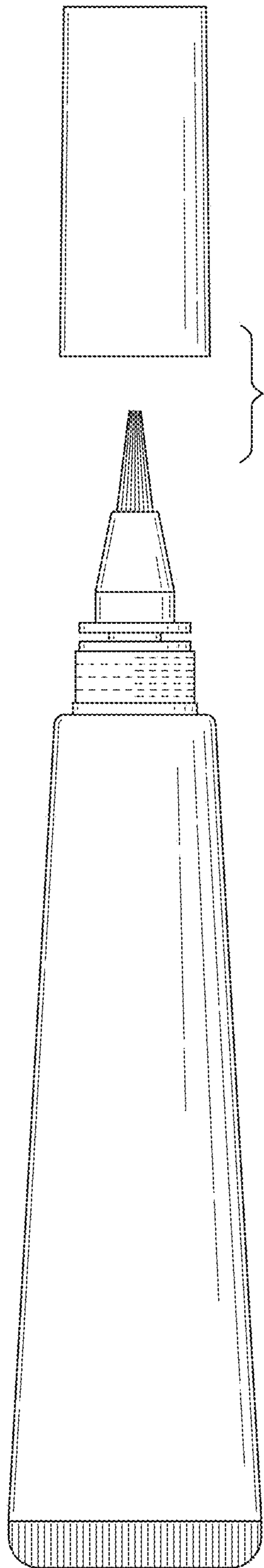


Fig. 8

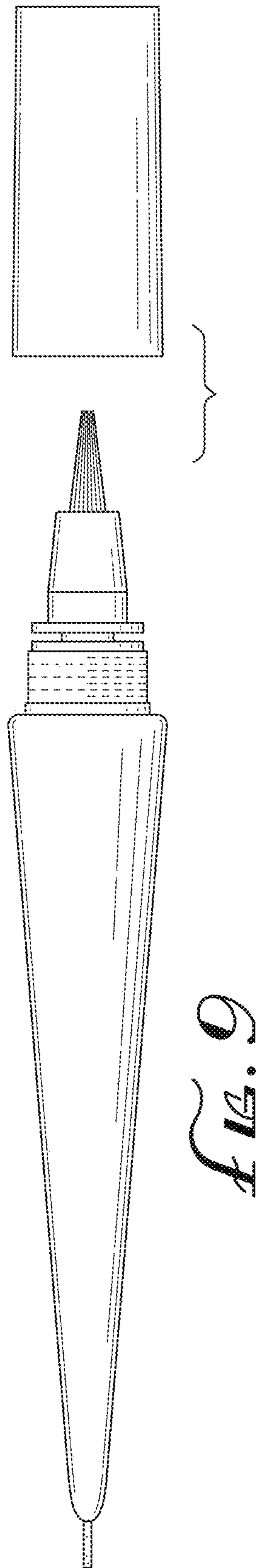


Fig. 9