



US00D870562S

(12) **United States Design Patent** (10) **Patent No.:** **US D870,562 S**
Martin (45) **Date of Patent:** **** Dec. 24, 2019**

(54) **BOTTLE**

(71) Applicant: **Ardagh Glass Inc.**, Indianapolis, IN (US)

(72) Inventor: **Steven W. Martin**, Ridgeville, IN (US)

(73) Assignee: **Ardagh Glass Inc.**, Indianapolis, IN (US)

(**) Term: **15 Years**

(21) Appl. No.: **29/642,286**

(22) Filed: **Mar. 28, 2018**

(51) **LOC (12) Cl.** **09-01**

(52) **U.S. Cl.**
 USPC **D9/668; D9/632**

(58) **Field of Classification Search**
 USPC D9/600, 618, 624-628, 631-632, 668, D9/500-505, 516, 519, 520, 537-546, D9/548-561, 575, 434-435, 439-441, D9/434-454; 206/457, 494, 459.5, 527, 206/540; 229/116.1; 446/77; 215/381-384, 400; D7/514-516, 539, D7/544, 571, 579, 604, 613, 619.2, D7/628-630, 391-392.1; D3/270-271.4
 CPC B65D 67/00; B65D 81/36; B65D 81/60; B65D 81/368; B65D 2203/00; B65D 2203/02; B65D 5/42; B65D 5/4208; B65D 77/00; A63H 33/16
 See application file for complete search history.

D419,449 S 1/2000 Adams
 D419,450 S 1/2000 Adams
 D419,880 S 2/2000 Adams
 6,029,855 A 2/2000 Adams
 D441,255 S 5/2001 Steinfelds
 D441,904 S 5/2001 Westphal
 D471,060 S 3/2003 Salsman
 D474,938 S 5/2003 Malik
 D501,342 S 2/2005 Miesieski et al.
 D507,181 S 7/2005 Malik
 D513,988 S 1/2006 Malik
 D562,627 S 2/2008 McDonald
 D583,231 S * 12/2008 Koehnke D9/451
 D586,621 S 2/2009 Thompson
 D596,462 S 7/2009 Serruya
 D601,760 S * 10/2009 Friess D30/125
 D602,736 S 10/2009 McDonald
 D605,443 S 12/2009 Lochen
 D624,722 S 9/2010 Wilkerson et al.
 D663,575 S 7/2012 Carroll et al.
 D671,171 S 11/2012 Baker
 D673,811 S 1/2013 Roudybush
 D698,597 S 2/2014 Malik et al.

(Continued)

Primary Examiner — Sandra L Morris
 (74) *Attorney, Agent, or Firm* — John V. Daniluck;
 Bingham Greenebaum Doll LLP

(57) **CLAIM**

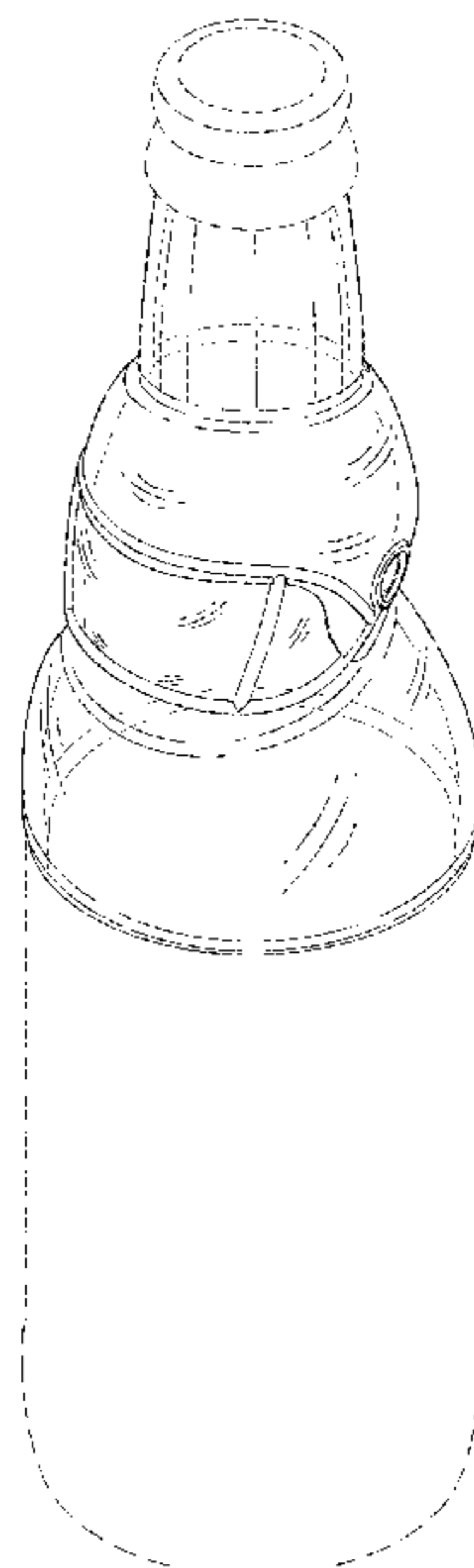
The ornamental design for a bottle, as shown and described.

DESCRIPTION

FIG. 1 is a right, top, perspective view of a bottle showing my new design, the drawing including broken lines indicating environment that forms no part of the claim;
 FIG. 2 is a front elevational view thereof;
 FIG. 3 is a right side elevational view thereof;
 FIG. 4 is a left side elevational view thereof;
 FIG. 5 is a top plan view thereof; and,
 FIG. 6 is a rear elevational view thereof.

1 Claim, 6 Drawing Sheets

(56) **References Cited**
 U.S. PATENT DOCUMENTS
 D289,694 S 5/1987 Pickett
 D327,817 S 7/1992 Paullin
 D379,149 S 5/1997 Powell et al.
 D416,799 S 11/1999 Adams



(56)

References Cited

U.S. PATENT DOCUMENTS

D698,599	S	2/2014	Malik	
8,701,907	B1	4/2014	Mallicoat	
D710,651	S	8/2014	Obioha	
D720,172	S	12/2014	Giraldez	
D720,566	S	1/2015	Giraldez	
D723,853	S	3/2015	Giraldez	
D723,855	S	3/2015	Giraldez	
D724,882	S	3/2015	Giraldez	
D727,743	S	4/2015	Rose	
D727,744	S	4/2015	Rose	
D758,644	S	6/2016	Deluca et al.	
D775,895	S *	1/2017	Mayberry	D9/668
D796,327	S	9/2017	Walbroel et al.	
D804,251	S	12/2017	Jenkins	

* cited by examiner

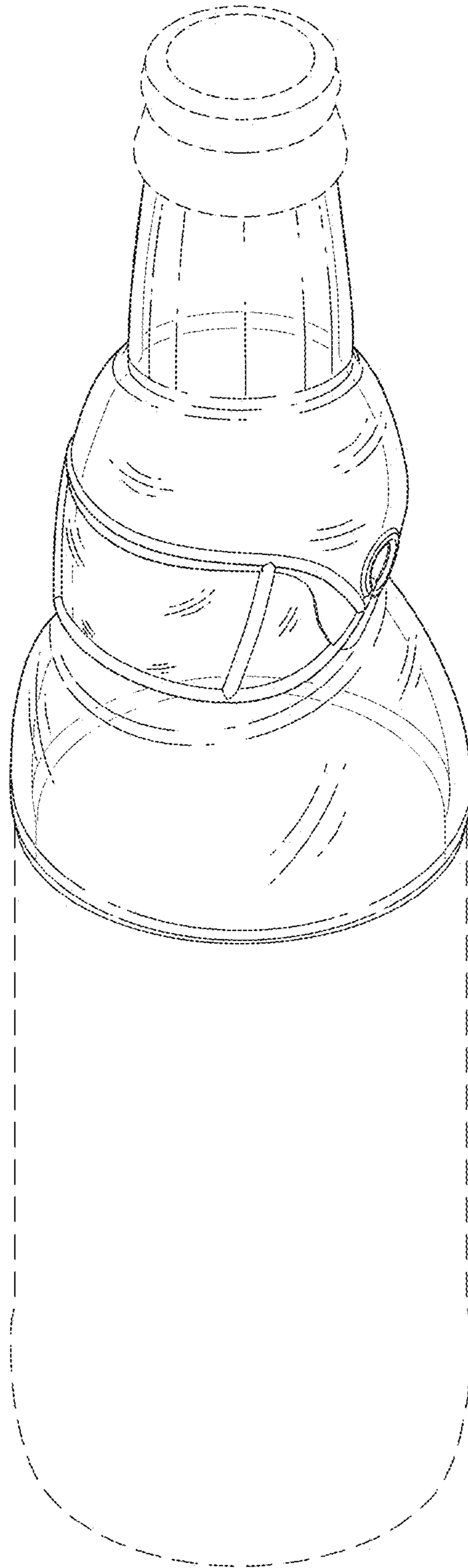


FIG. 1

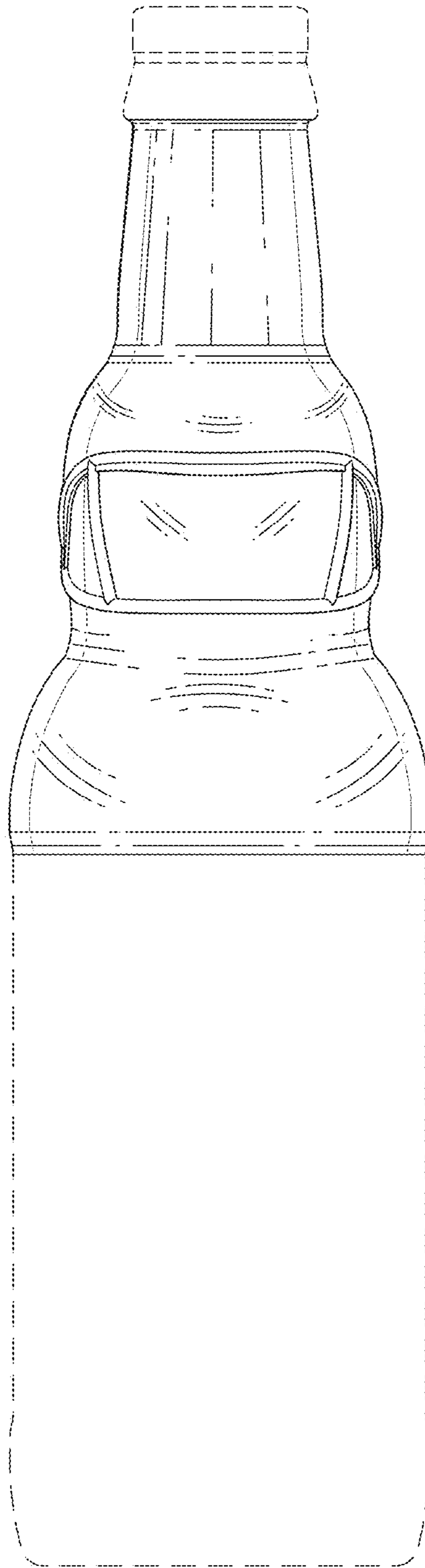


FIG. 2

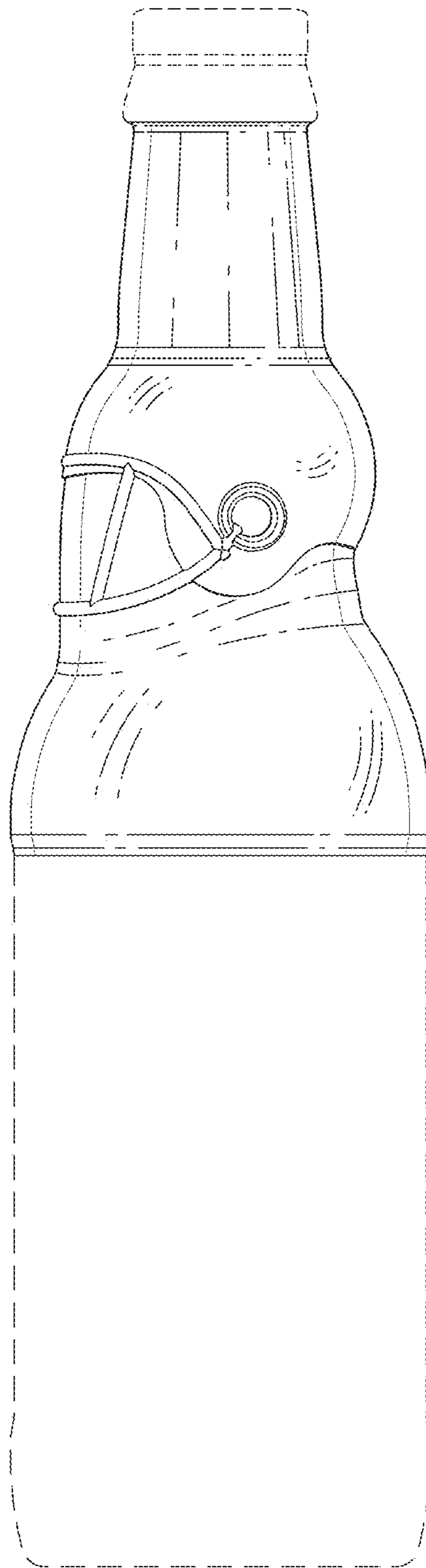


FIG. 3

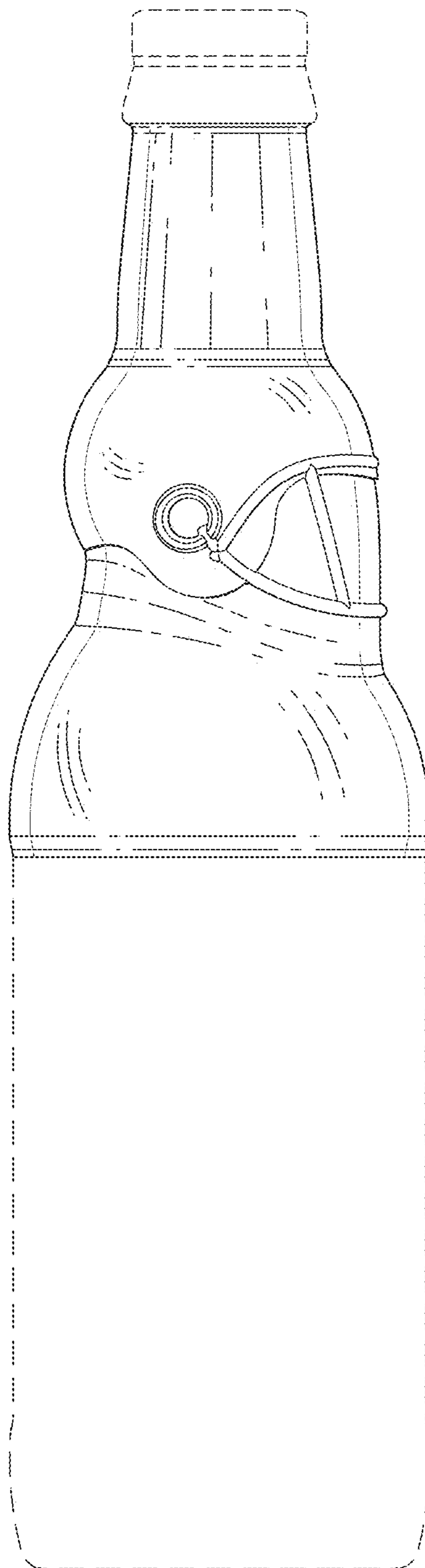


FIG. 4

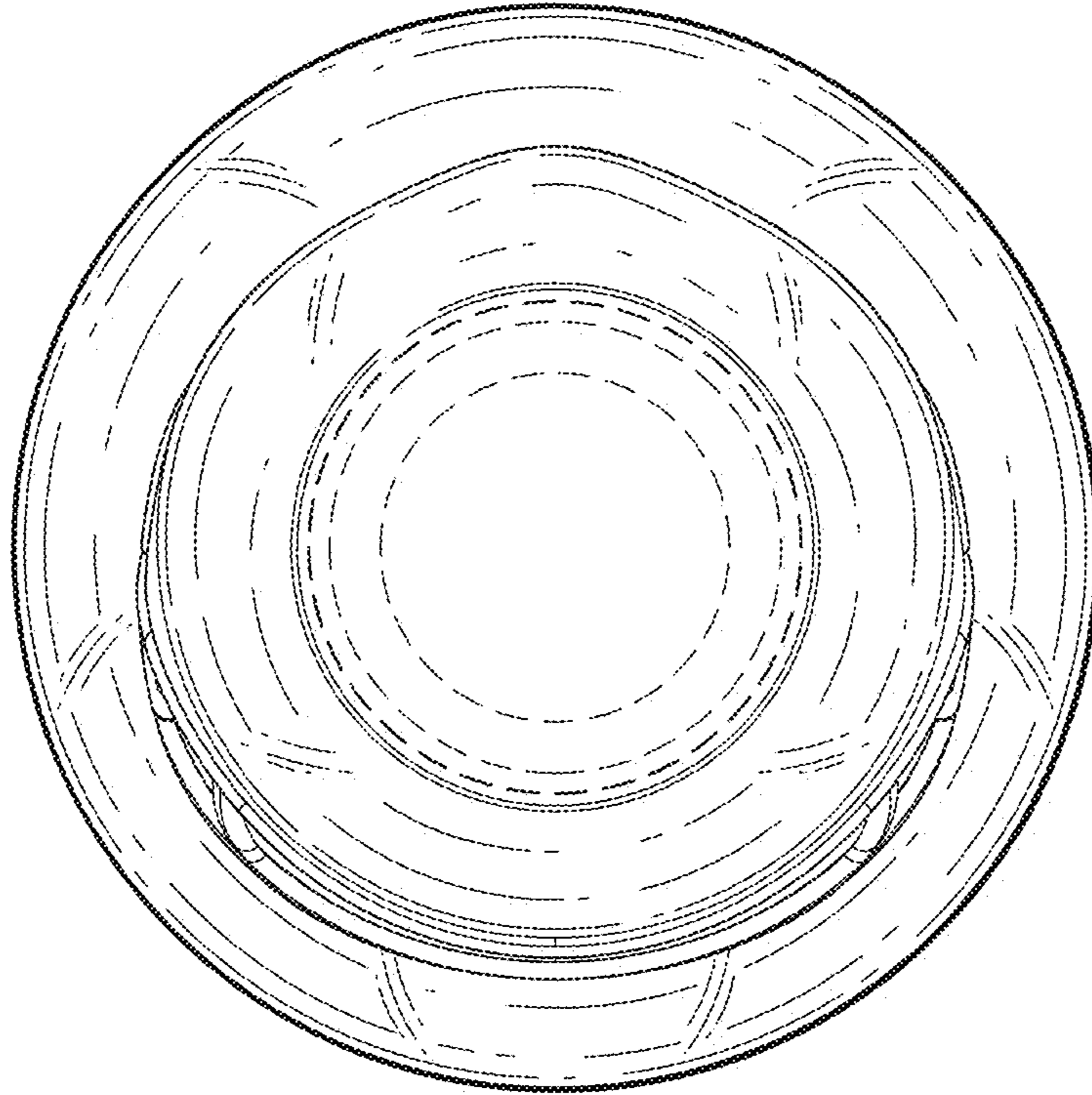


FIG. 5

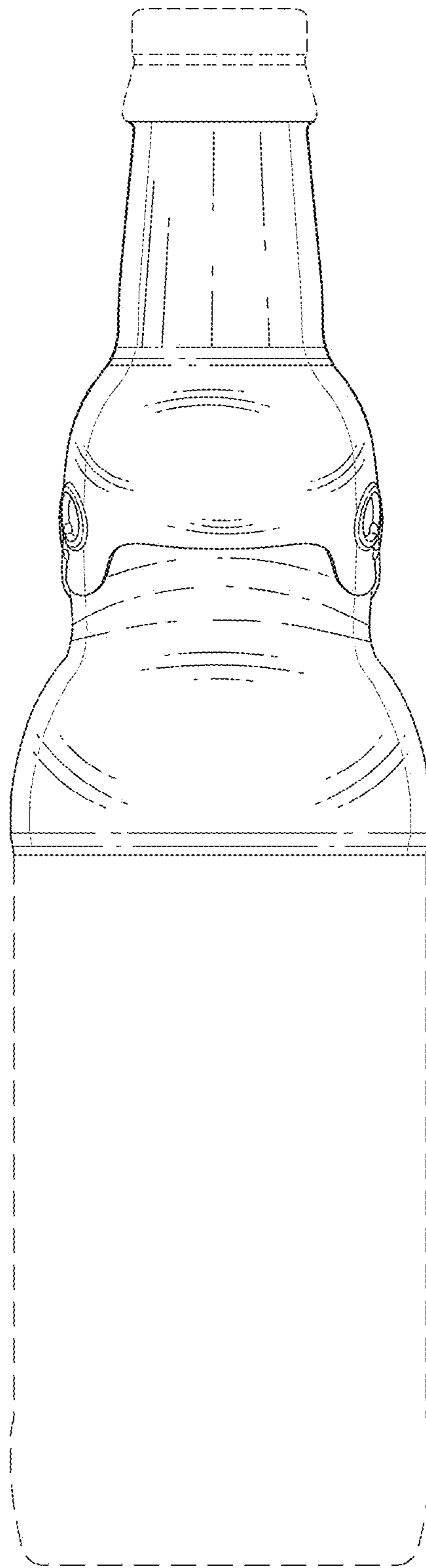


FIG. 6