



US00D870559S

(12) **United States Design Patent**
Laib et al.

(10) **Patent No.:** **US D870,559 S**

(45) **Date of Patent:** **** Dec. 24, 2019**

(54) **CONTAINER**

(71) Applicant: **Owens-Brockway Glass Container Inc.**, Perrysburg, OH (US)

(72) Inventors: **Douglas Laib**, Perrysburg, OH (US);
Raul Paredes, Perrysburg, OH (US);
Kimberly Credit, Hunt Valley, MD (US)

(73) Assignee: **Owens-Brockway Glass Container Inc.**, Perrysburg, OH (US)

(**) Term: **15 Years**

(21) Appl. No.: **29/583,427**

(22) Filed: **Nov. 4, 2016**

(51) **LOC (12) Cl.** **09-01**

(52) **U.S. Cl.**
USPC **D9/516; D9/536; D9/575**

(58) **Field of Classification Search**
USPC **D9/516, 519, 520, 521, 527, 528, 529,**
D9/530, 531, 533, 540, 542, 544, 550,
(Continued)

(56) **References Cited**

U.S. PATENT DOCUMENTS

D63,852 S * 1/1924 Millen D9/536
D72,141 S * 3/1927 Boswell D9/536
(Continued)

OTHER PUBLICATIONS

“NPL 1,” available Jul. 1, 2017, [online], [site visited Jul. 26, 2018]. Available from Internet, <URL:https://web.archive.org/web/20170701004140/http://www.thecarycompany.com/64-oz-clear-glass-jug-black-metal-cap> (Year: 2017).*

(Continued)

Primary Examiner — Garth Rademaker
Assistant Examiner — Katrina N Gonzalez

(57) **CLAIM**

We claim the ornamental design for a container, as shown and described.

DESCRIPTION

FIG. 1 is a perspective view of a container in accordance with a first illustrative embodiment of our new claimed design.

FIG. 2 is a left side view of the container of FIG. 1, the opposing right side view being a mirror image of FIG. 2.

FIG. 3 is a rear view of the container of FIG. 1.

FIG. 4 is a front view of the container of FIG. 1.

FIG. 5 is an enlarged top view of the container of FIG. 1.

FIG. 6 is an enlarged bottom view of the container of FIG. 1.

FIG. 7 is a perspective view of a container in accordance with a second illustrative embodiment of our new claimed design.

FIG. 8 is a left side view of the container of FIG. 7, the opposing right side view being a mirror image of FIG. 8.

FIG. 9 is a rear view of the container of FIG. 7.

FIG. 10 is a front view of the container of FIG. 7.

FIG. 11 is an enlarged top view of the container of FIG. 7; and,

FIG. 12 is an enlarged bottom view of the container of FIG. 7.

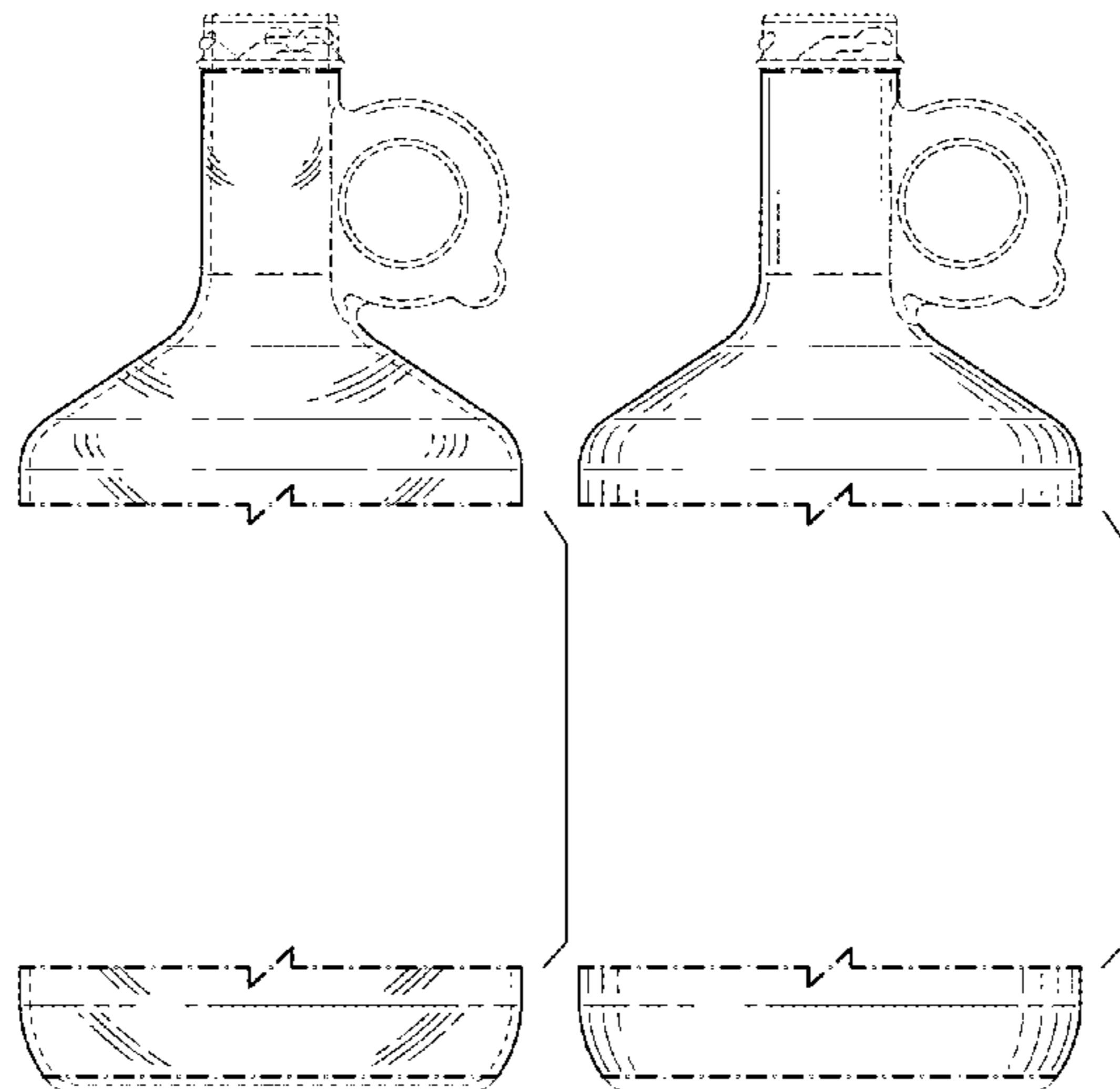
Dash-dash broken lines shown in the illustrate portions of the container and form no part of the claimed design.

Dash-dot broken lines shown in thr drawings illustrate boundaries of the claimed design and form no part of the claimed design.

Dash-dot break lines that separate portions of the container, and a space and a bracket between the break lines, form no part of the claimed design.

The container is shown with a symbolic break in its length, as illustrated with the dash-dot broken lines. The appearance of any portion of the article between the dash-dot broken lines forms no part of the claimed design.

1 Claim, 6 Drawing Sheets



(58) **Field of Classification Search**

USPC D9/553, 556, 557, 558, 559, 563, 564,
 D9/565, 566, 567, 545, 536, 537, 538,
 D9/539, 541, 543, 522, 512; D3/202,
 D3/203.1, 205; D4/114; D6/515, 542;
 D7/300, 300.1, 598; 215/1 C, 1 R, 248,
 215/307, 381, 382, 383, 384, 385, 902;
 220/660, 662, 669, 675
 CPC B65D 2501/0009; B65D 2501/00; B65D
 23/00; B65D 1/0223; B65D 1/00; B65D
 1/02

See application file for complete search history.

(56) **References Cited**

U.S. PATENT DOCUMENTS

D99,492 S * 4/1936 Keightley D9/530
 D100,341 S * 7/1936 Steinbiss D9/536
 D104,657 S * 5/1937 Fuerst D9/536
 D107,542 S * 12/1937 Moore D9/531
 D162,147 S 2/1951 Fuerst
 D172,718 S 7/1954 Musel et al.
 D184,991 S * 4/1959 Flexon D9/534
 D189,002 S 10/1960 Campbell
 D190,835 S 7/1961 Fuerst
 D191,071 S 8/1961 Roberts
 D191,722 S 11/1961 Lorenzen
 D194,997 S * 4/1963 Houghton D9/531
 D195,063 S 4/1963 Lilling
 3,086,671 A * 4/1963 Zaleski B65D 1/023
 215/398
 D195,597 S 7/1963 Monk
 D200,075 S * 1/1965 Flasman D9/522
 D204,499 S * 4/1966 Flexon D9/531
 D215,411 S * 9/1969 Anderson D9/536
 D221,519 S 8/1971 Plummer
 D224,509 S 8/1972 Saenz
 D235,971 S * 7/1975 Visola D9/500
 D238,143 S * 12/1975 Bay D9/500
 D254,596 S 4/1980 Spigelman
 D257,580 S * 12/1980 Hayes D9/500
 D258,491 S 3/1981 Hayes
 D258,564 S 3/1981 Hayes
 D258,936 S 4/1981 Hayes
 D273,278 S 4/1984 Hayes
 D273,367 S 4/1984 Hayes
 D273,368 S 4/1984 Hayes
 D283,305 S 4/1986 Thompson
 D328,253 S 7/1992 Poore et al.
 D344,235 S 2/1994 Bridger et al.
 D369,499 S 5/1996 Scott et al.
 D378,664 S 4/1997 Feen
 D403,591 S 1/1999 Nijs et al.
 D403,968 S 1/1999 DeVore

D429,160 S 8/2000 Tally
 D431,192 S * 9/2000 Ogg D9/531
 D449,993 S 11/2001 Schumann
 D510,872 S 10/2005 Mount et al.
 7,288,982 B2 6/2007 Nielson
 D643,300 S * 8/2011 Beckerman D9/536
 D657,686 S * 4/2012 Veuger D9/559
 D673,050 S * 12/2012 Pennington, IV D9/531
 D676,328 S * 2/2013 Yourist D9/531
 D687,306 S * 8/2013 Fleischhacker D9/531
 D699,118 S * 2/2014 Yourist D9/531
 D699,584 S 2/2014 Hall
 D706,638 S * 6/2014 Fleischhacker D9/556
 D727,737 S 4/2015 Damashek
 9,114,911 B2 8/2015 Laib et al.
 D740,123 S * 10/2015 Tremblay D9/536
 2012/0318767 A1 * 12/2012 Burgess B65D 1/0207
 215/40
 2014/0110369 A1 * 4/2014 Laib B65D 23/104
 215/40
 2015/0166211 A1 * 6/2015 Aoki B29C 49/185
 215/382

OTHER PUBLICATIONS

“NPL 2,” available Jan. 11, 2015, [online], [site visited Jul. 26, 2018]. Available from Internet, <URL:https://www.amazon.com/Kombucha-Brooklyn-13-DXKS-HM6G-Growler-half-gallon/dp/B00FP8JZF8/ref=cm_cr_ar_p_d_product_top> (Year: 2015).*

“NPL 3,” available Jan. 25, 2016, [online], [site visited Jul. 26, 2018]. Available from Internet, <URL:https://columnm.com/the-siphone-beer-growler/> (Year: 2016).*

“NPL 4,” available 2014, [online], [site visited Jul. 26, 2018]. Available from Internet, <URL:https://www.pianettawinery.com/jug-wine> (Year: 2014).*

“NPL 5,” available Jun. 22, 2016, [online], [site visited Jul. 26, 2018]. Available from Internet, <URL:https://packagingoptionsdirect.com/750-ml-round-clear-glass-moonshine-jug> (Year: 2016).*

“NPL 6,” available May 14, 2015, [online], [site visited Jul. 27, 2018]. Available from Internet, <URL:https://web.archive.org/web/20150514060934/http://www.thegrocerygirls.com/seagrams-extra-dry-gin-375ml.html> (Year: 2015).*

“NPL 7,” available May 13, 2015, [online], [site visited Jul. 27, 2018]. Available from Internet, <URL:https://blogs.yahoo.co.jp/kebin57/68199384.html> (Year: 2015).*

“Water cooler bottle” available May 11, 2019, [online], [site visited May 11, 2019]. Available from Internet, <URL:https://www.thewaterdeliverycompany.com/2009/09/17/19-litre-water-cooler-bottle-from-water-coolers/> (Year: 2019).*

Chile Office Action, Chilean Serial No. 2017-001081, Applicant: Owens-Brockway Glass Container Inc., dated Dec. 19, 2017. <https://whisky.com.gr/whisky-posts/robert-brown-special-kirin-seagram-40/>, Miniature bottle Japanese Whiskey (Robert Brown Whiskey aka RBW Bottle).

* cited by examiner

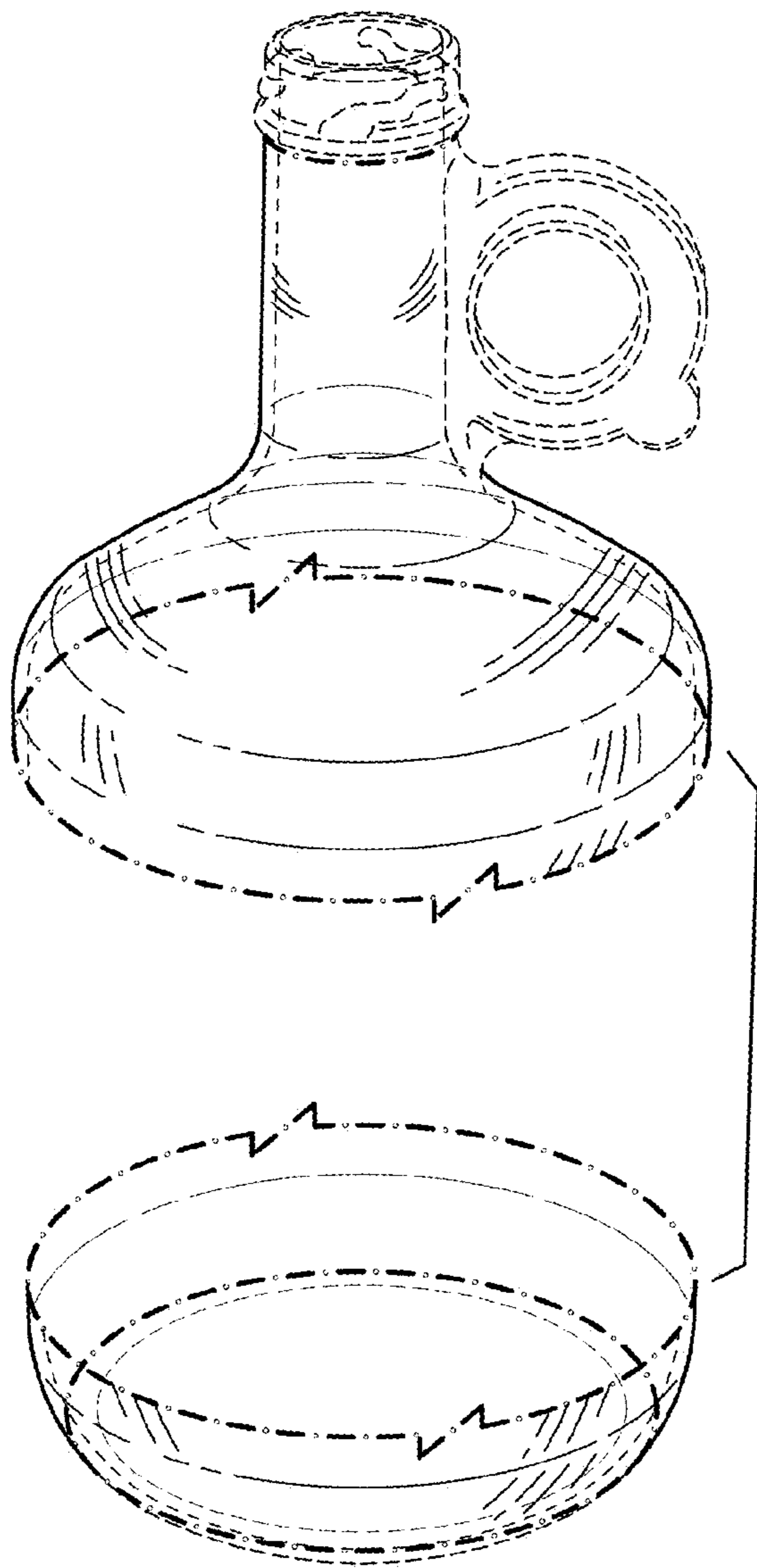


FIG. 1

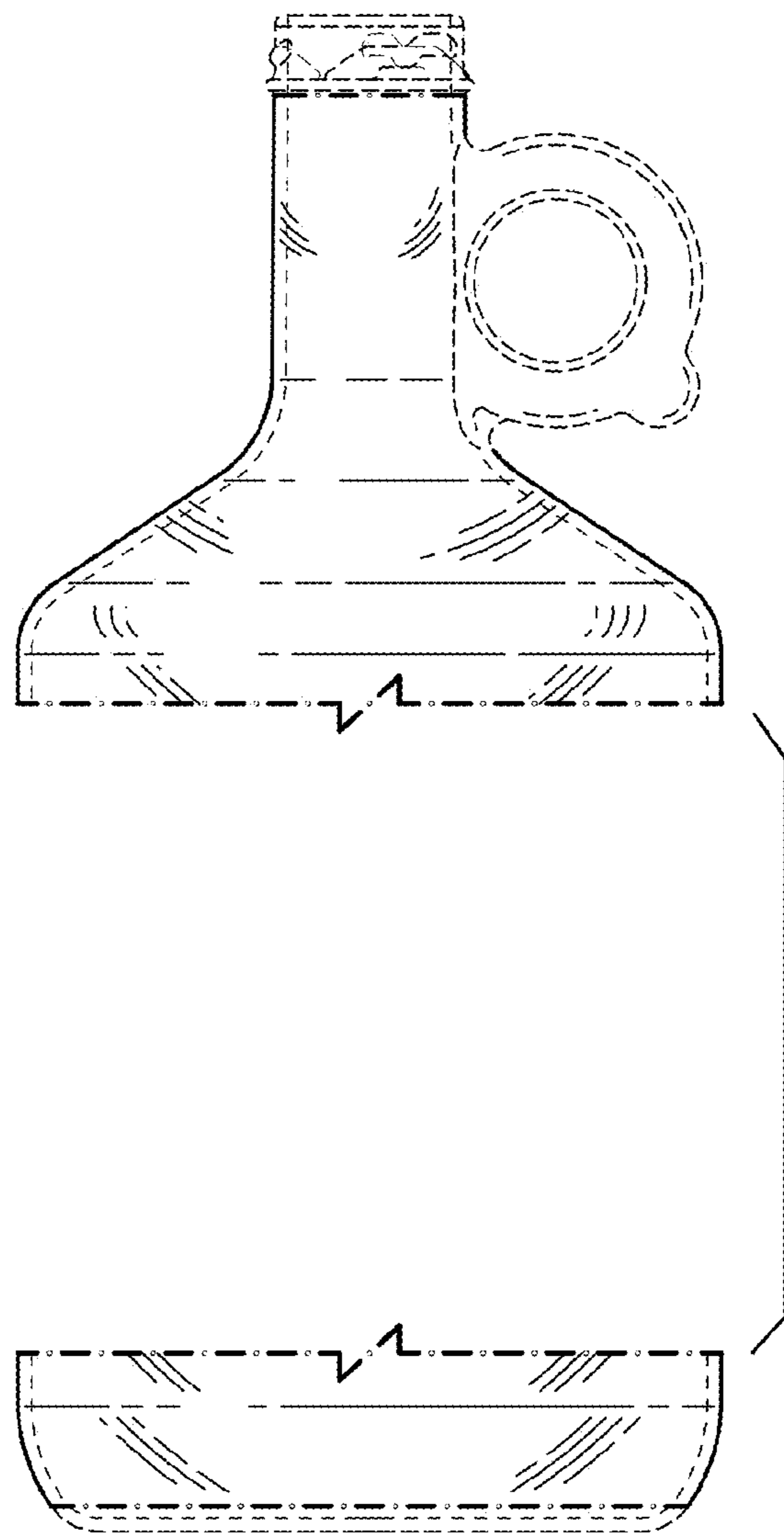


FIG. 2

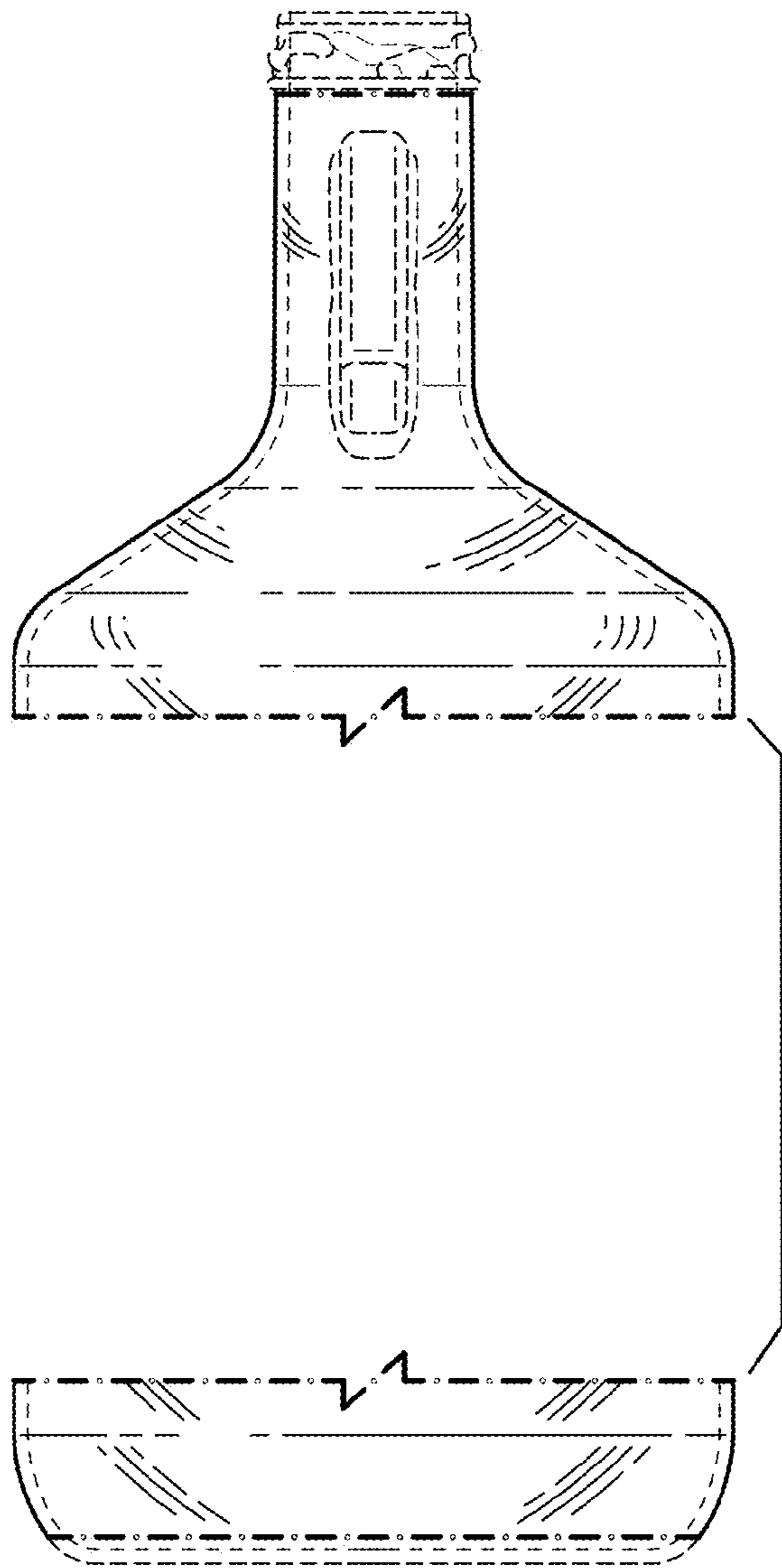


FIG. 3

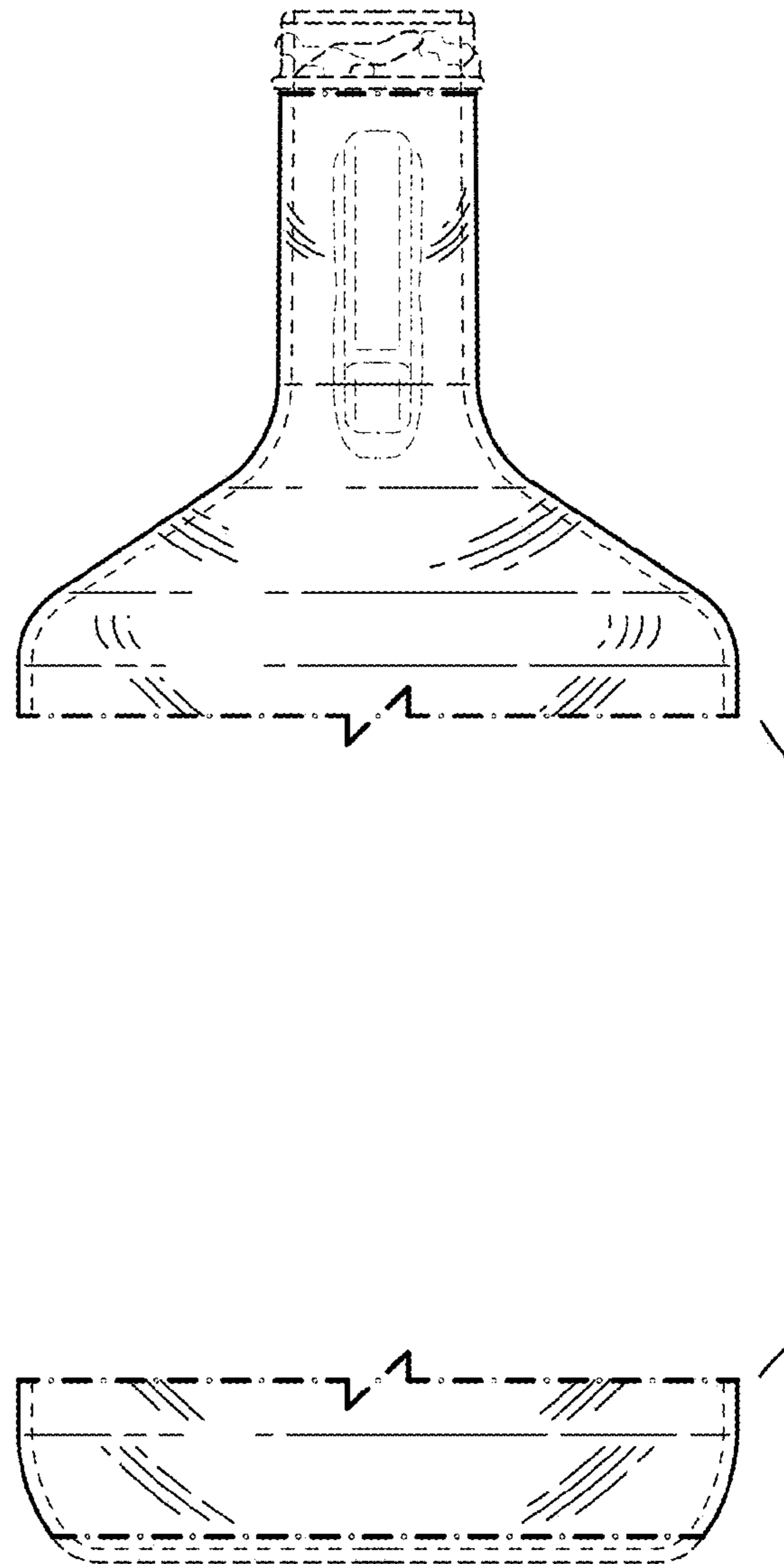


FIG. 4

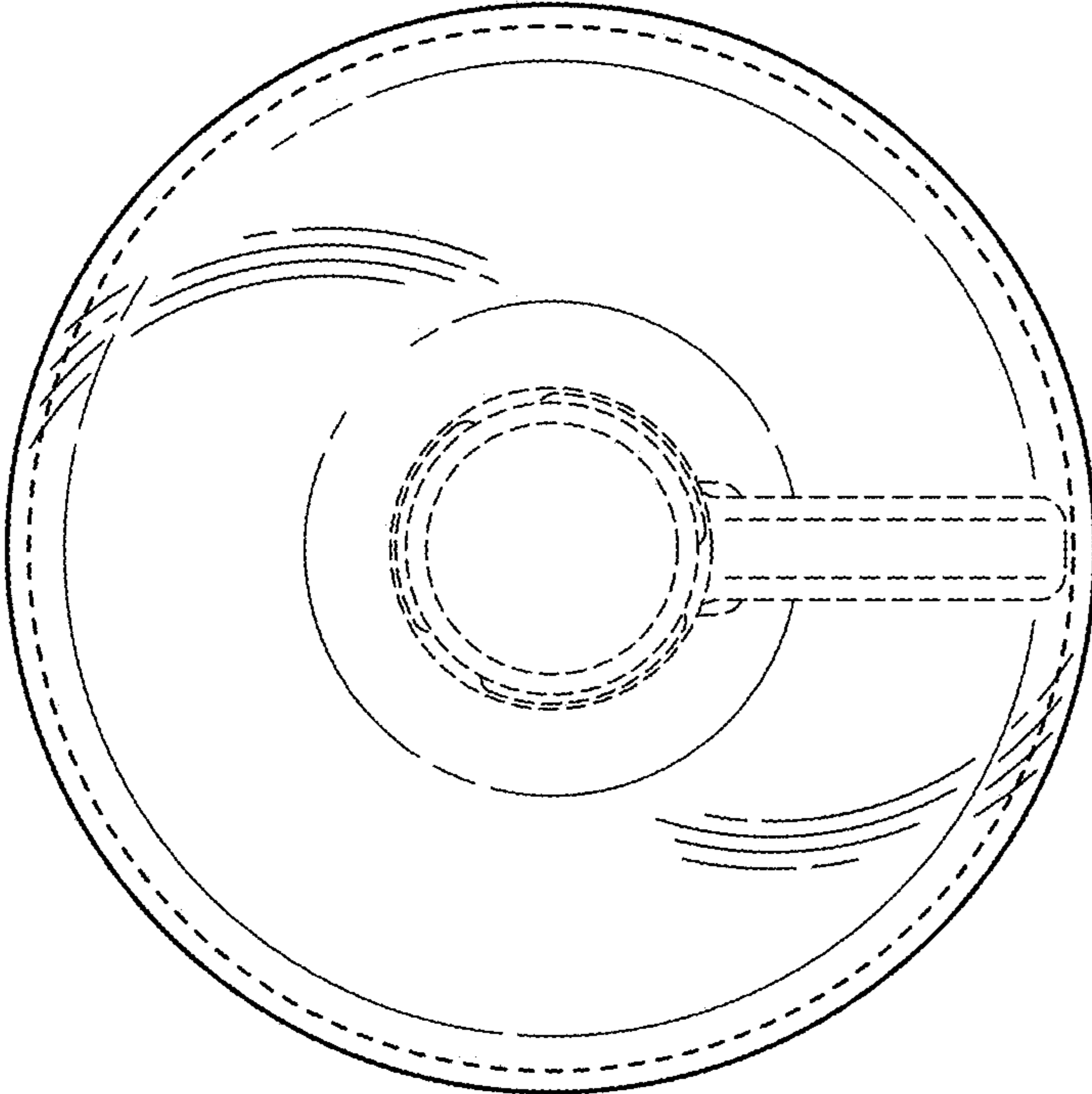


FIG. 5

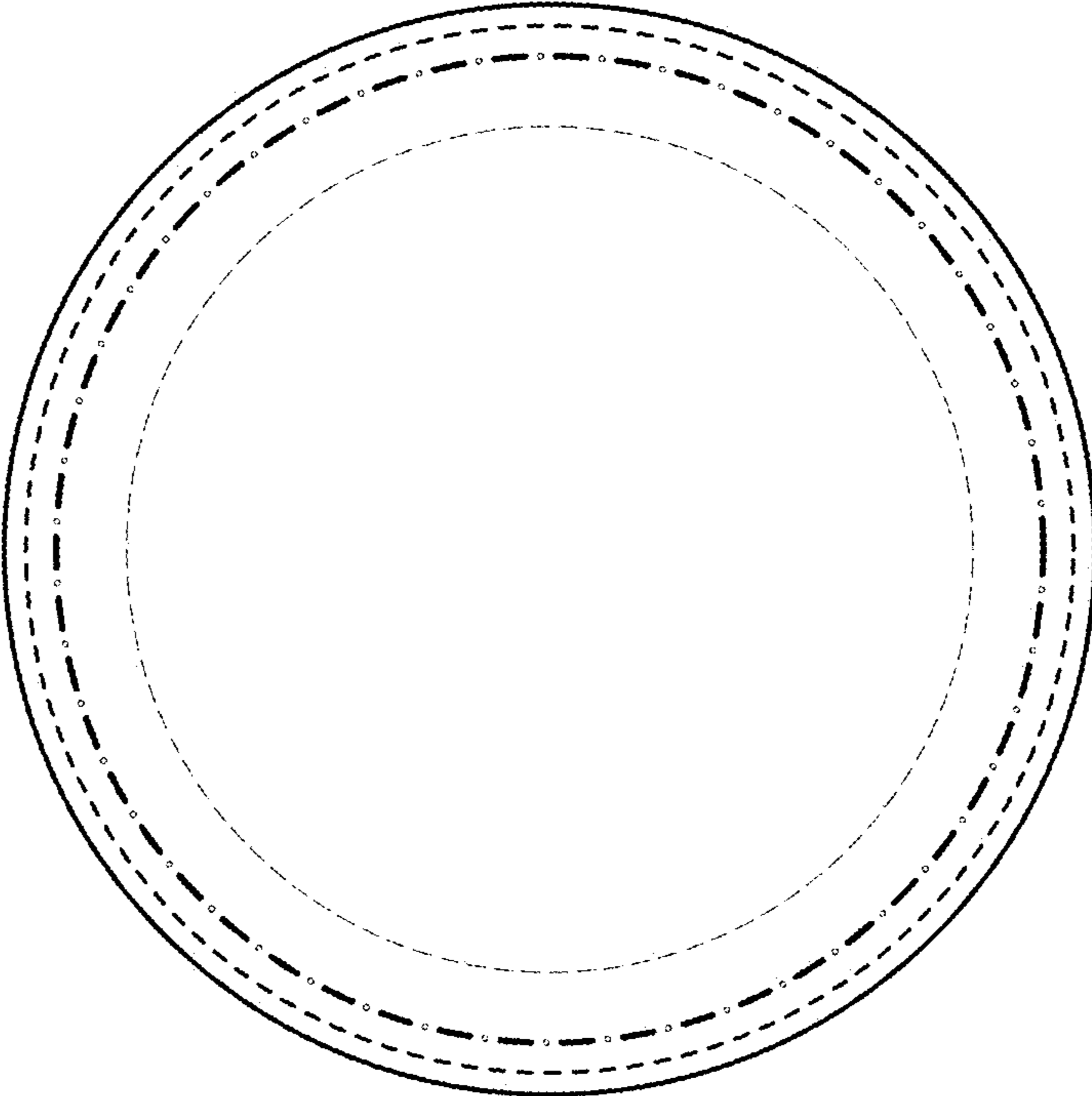


FIG. 6

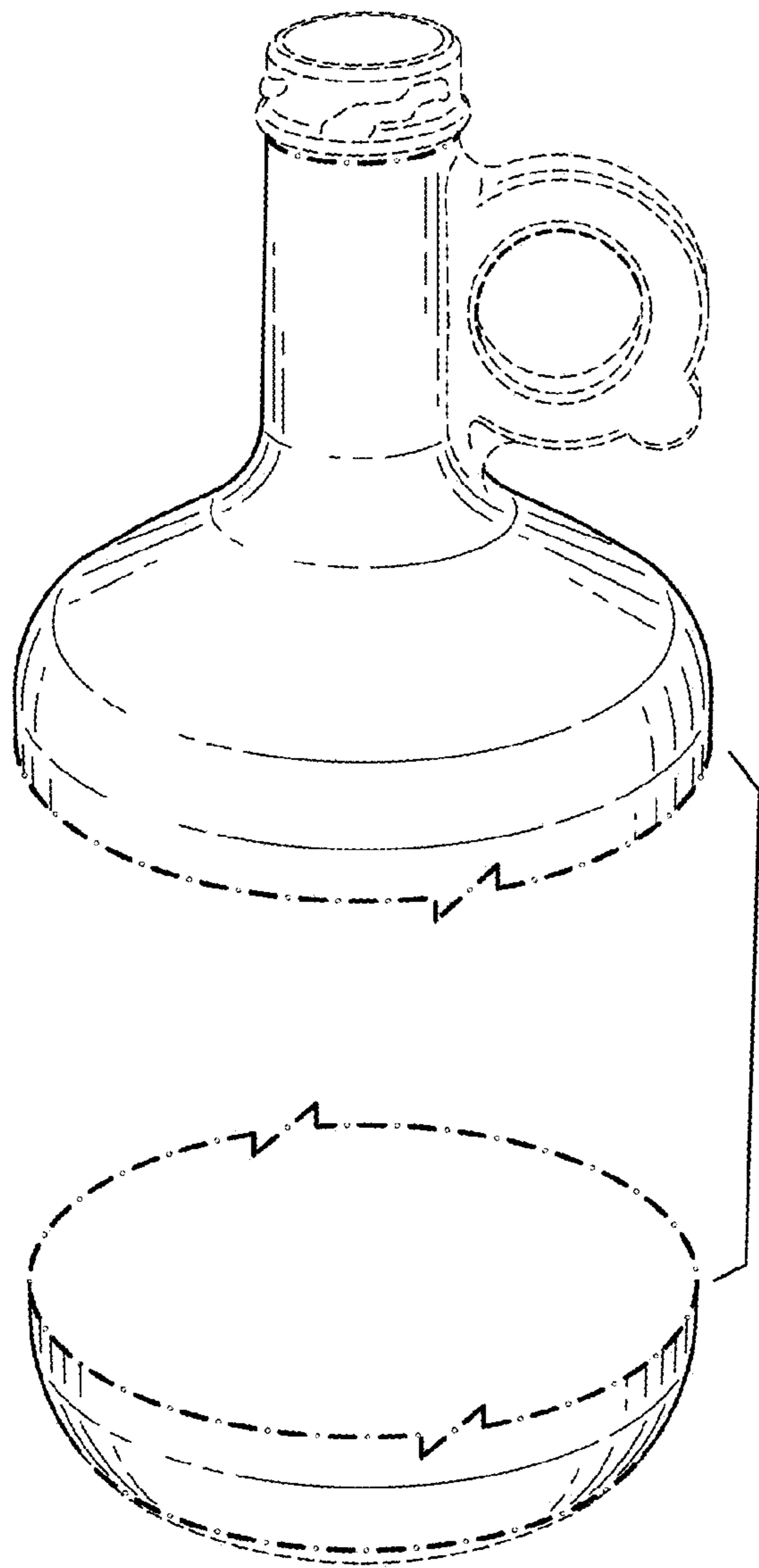


FIG. 7

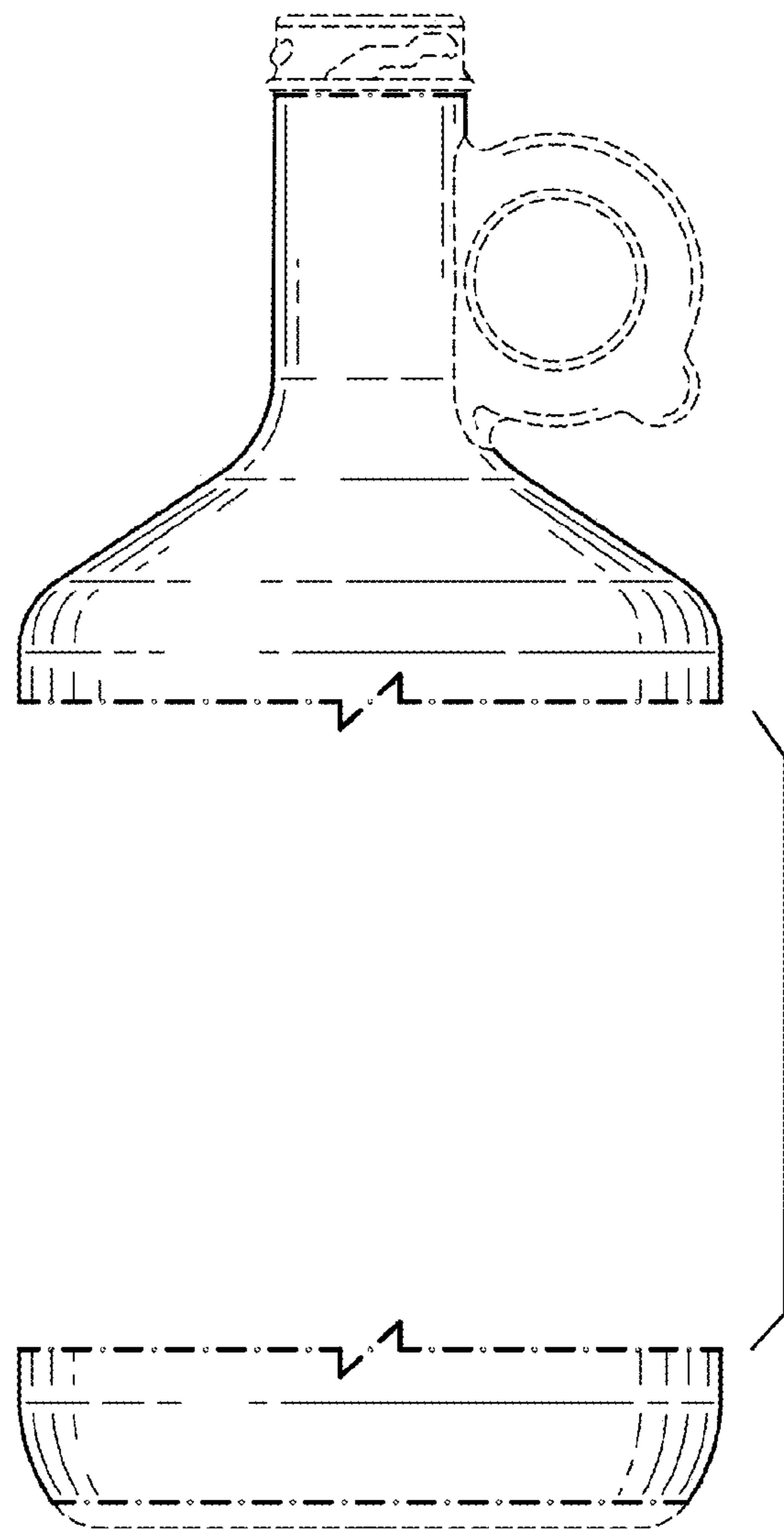


FIG. 8

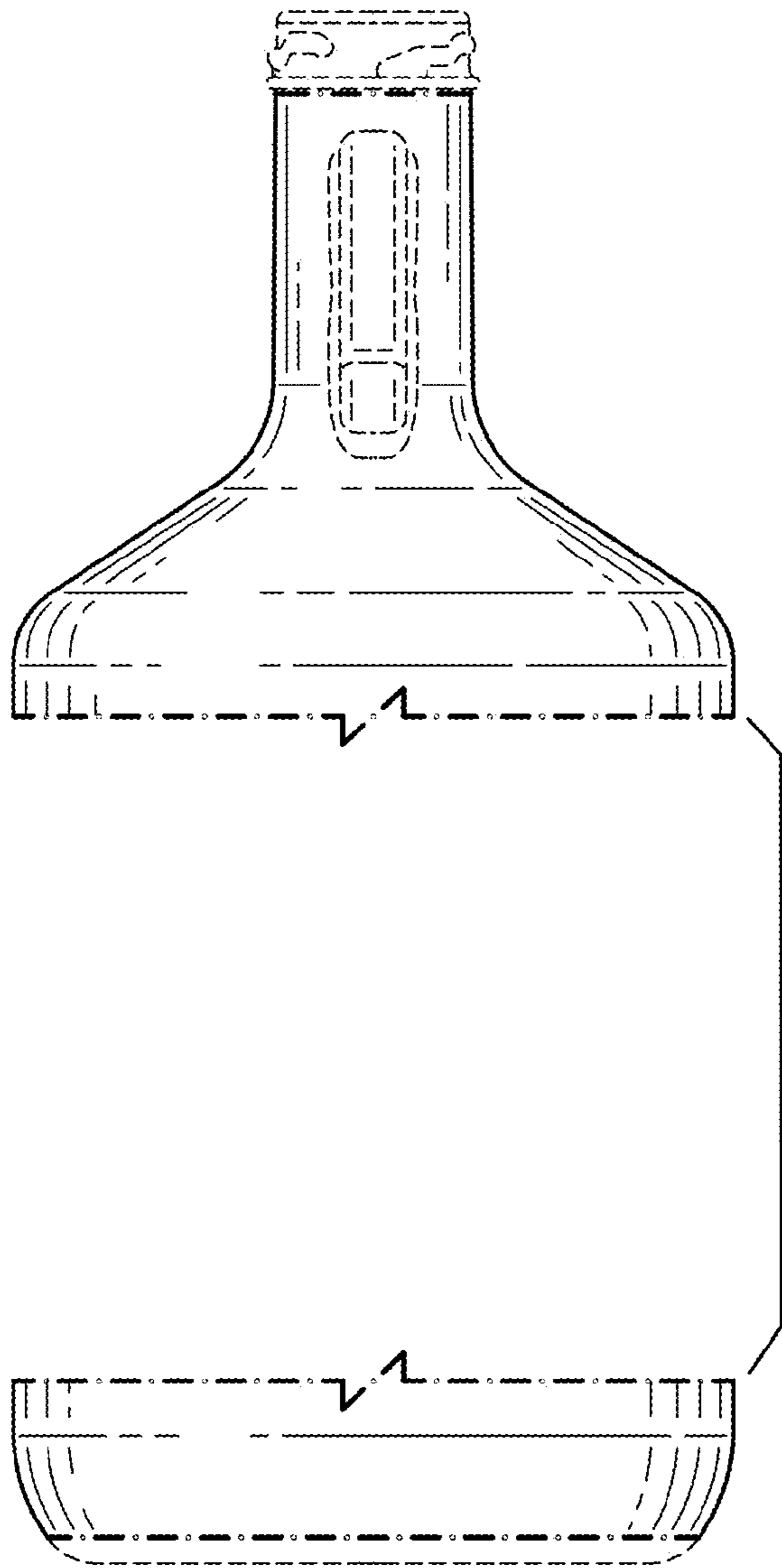


FIG. 9

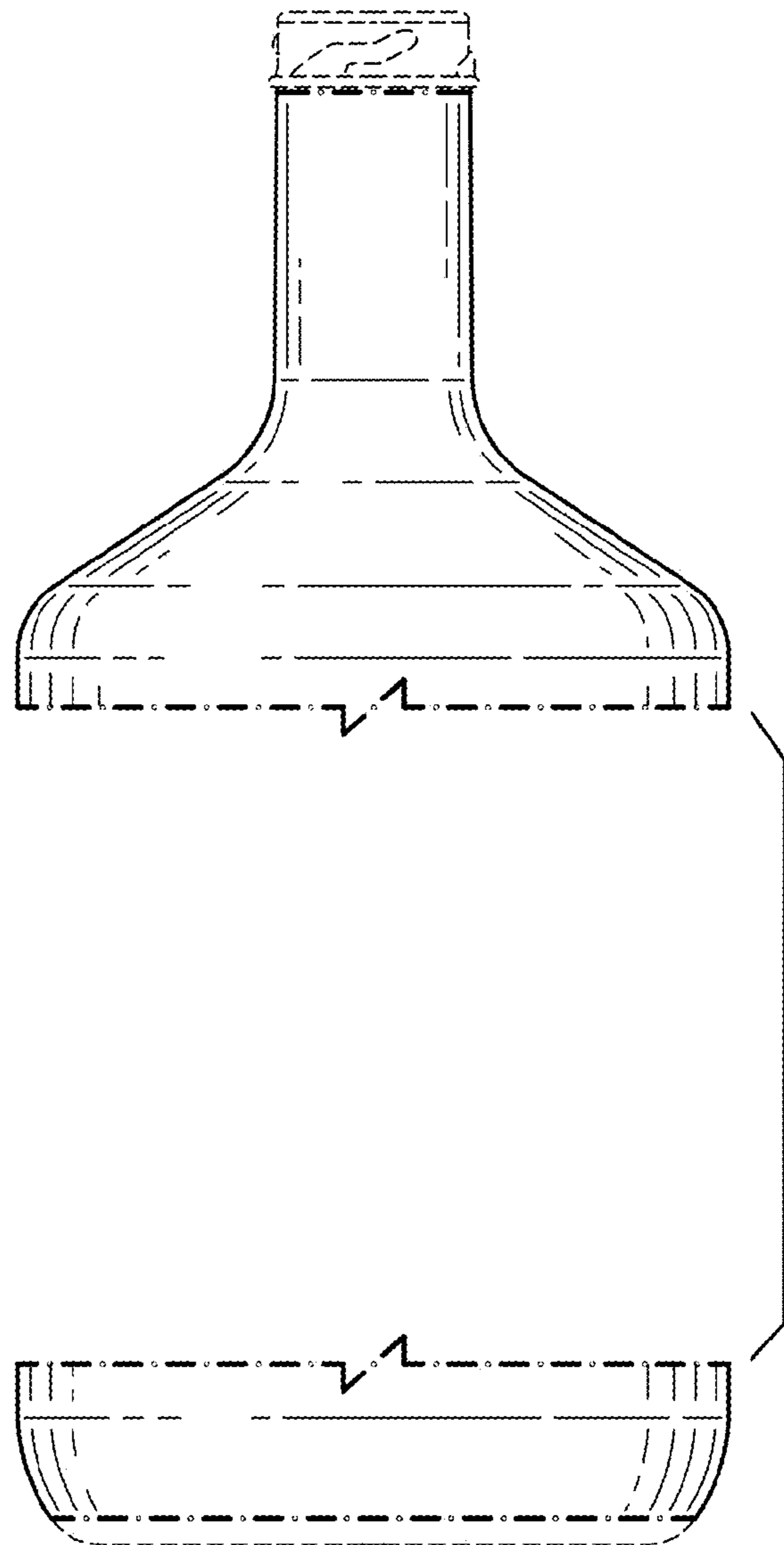


FIG. 10

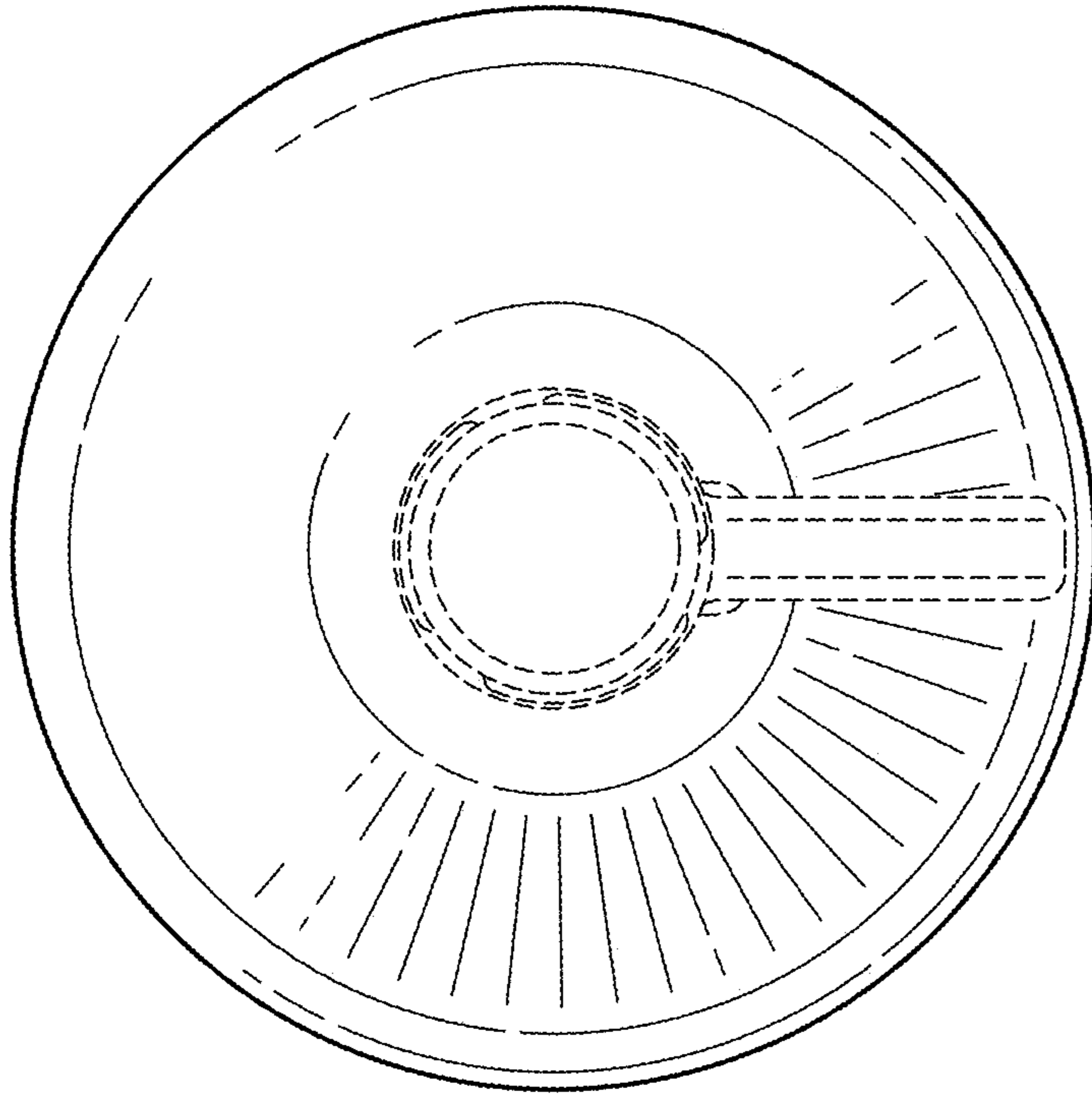


FIG. 11

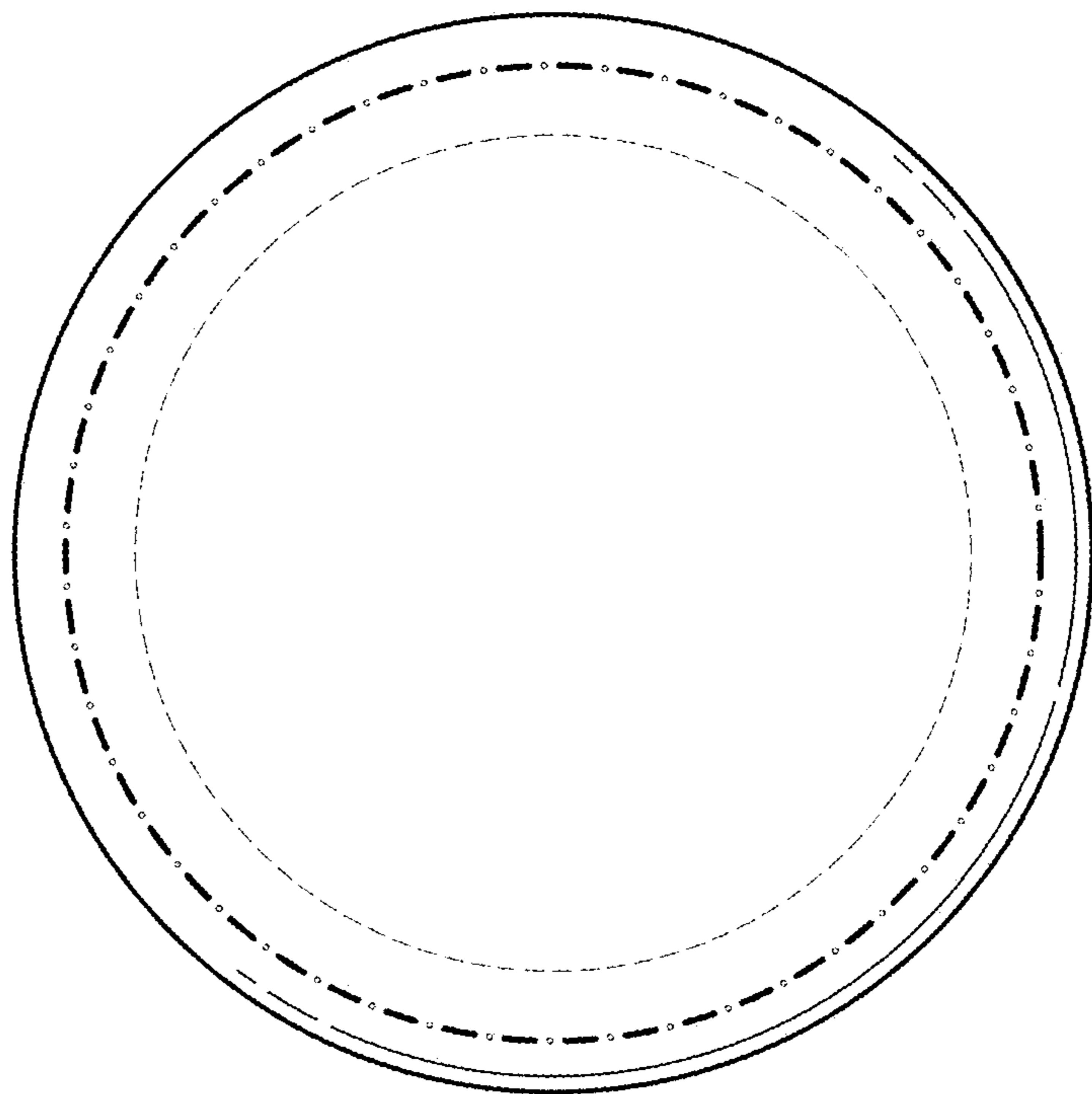


FIG. 12