



US00D870556S

(12) **United States Design Patent** (10) **Patent No.:** **US D870,556 S**  
**Tart** (45) **Date of Patent:** **\*\* Dec. 24, 2019**

(54) **CARTON**  
(71) Applicant: **Graphic Packaging International, LLC, Atlanta, GA (US)**  
(72) Inventor: **Christopher Tart, Leicestershire (GB)**  
(73) Assignee: **Graphic Packaging International, LLC, Atlanta, GA (US)**

4,601,390 A 7/1986 Rosenthal et al.  
D319,388 S 8/1991 McIntosh, Jr. et al.  
5,299,734 A 4/1994 Lane  
(Continued)

**FOREIGN PATENT DOCUMENTS**

EP 0 639 504 2/1995  
GB 889 718 2/1962  
SE 140 388 5/1953

(\*\*) Term: **15 Years**

**OTHER PUBLICATIONS**

(21) Appl. No.: **29/666,158**  
(22) Filed: **Oct. 10, 2018**  
(51) **LOC (12) Cl.** ..... **09-03**  
(52) **U.S. Cl.**  
USPC ..... **D9/431; D9/433**  
(58) **Field of Classification Search**  
USPC ..... D9/414-423, 424-429, 430-433, 434,  
D9/456, 457, 711, 713, 721-722, 600  
CPC ... B65D 5/00; B65D 5/02; B65D 5/18; B65D  
5/20  
See application file for complete search history.

Integralflex to deliver a user friendly compact pack. [online] Retrieved Sep. 5, 2019 from URL: <https://www.packagingworldinsights.com/food/integralflex-an-innovative-new-packaging-solution-by-graphic-packaging-international/>.\*

(Continued)

*Primary Examiner* — Vy N Koenig  
(74) *Attorney, Agent, or Firm* — Womble Bond Dickinson (US) LLP

(57) **CLAIM**

The ornamental design for a carton, as shown and described.

**DESCRIPTION**

(56) **References Cited**

**U.S. PATENT DOCUMENTS**

D115,651 S 7/1939 Ford et al.  
D120,673 S 5/1940 Jung  
2,348,378 A 5/1944 Goodyear  
2,586,301 A 2/1952 Castle  
2,794,585 A 6/1957 Wagner  
D187,756 S \* 4/1960 Storz ..... D9/420  
3,013,710 A 12/1961 Kronson et al.  
3,257,027 A 6/1966 Weiss  
3,640,380 A 2/1972 Huffman  
D242,901 S 1/1977 Lohrbach  
4,007,869 A 2/1977 Stolkin et al.  
D251,935 S \* 5/1979 Ikezaki ..... D3/274  
4,238,069 A 12/1980 Morris, Jr.  
4,397,393 A 8/1983 Pergande et al.  
4,530,459 A 7/1985 Maroszek

FIG. 1 is a perspective view of a carton showing my new design.

FIG. 2 is a front elevation view of the carton of FIG. 1.

FIG. 3 is a left elevation view of the carton of FIG. 1, the right elevation view is a mirror image.

FIG. 4 is a rear elevation view of the carton of FIG. 1.

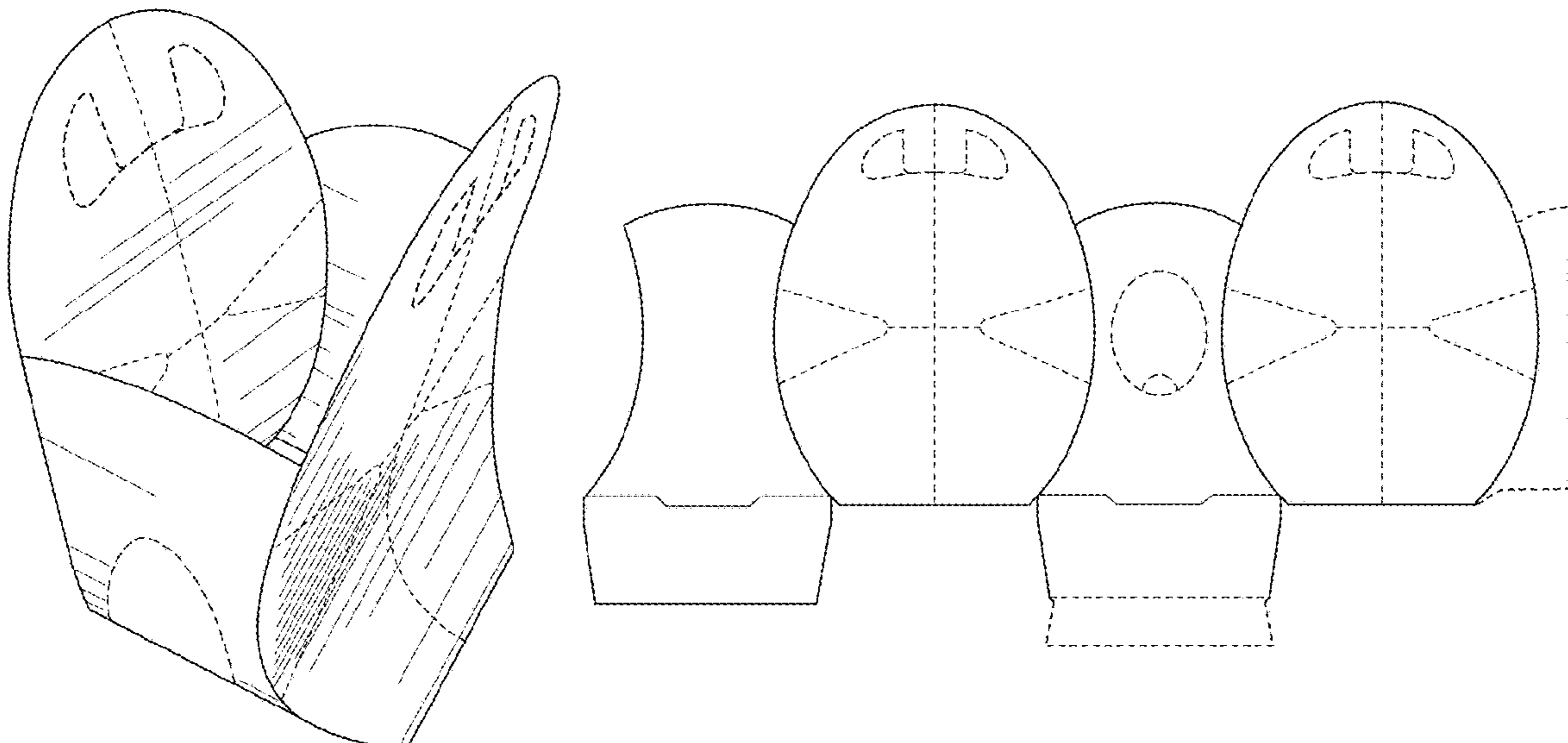
FIG. 5 is a top plan view of the carton of FIG. 1.

FIG. 6 is a bottom plan view of the carton of FIG. 1; and,

FIG. 7 is a plan view of the carton of FIG. 1 shown in an unfolded blank configuration.

All evenly-spaced broken lines in the drawings depict environmental subject matter only and form no part of the claimed design.

**1 Claim, 7 Drawing Sheets**



(56)

References Cited

U.S. PATENT DOCUMENTS

5,400,901 A 3/1995 Harrelson  
 D365,022 S \* 12/1995 Wada ..... D9/415  
 5,501,335 A 3/1996 Harris  
 5,524,814 A 6/1996 Davis  
 D373,079 S 8/1996 Fahlen  
 5,551,556 A 9/1996 Sutherland  
 5,595,291 A 1/1997 Negelen  
 D386,680 S 11/1997 Johnson  
 D407,970 S \* 4/1999 Planchard ..... D9/703  
 5,950,912 A 9/1999 Economopoulos  
 6,439,452 B1 8/2002 Tsao  
 6,530,516 B1 3/2003 Ritter  
 D496,273 S \* 9/2004 Lenz ..... D9/431  
 D523,483 S \* 6/2006 Sparkowski ..... D20/10  
 D525,866 S 8/2006 Oliveira  
 D532,690 S 11/2006 Oliveira  
 D582,263 S \* 12/2008 Smith ..... D9/414  
 7,617,969 B2 11/2009 Oliveira  
 D616,739 S \* 6/2010 Kalberer ..... D9/431  
 D695,101 S \* 12/2013 Keberlein ..... D9/416

D712,735 S \* 9/2014 McCracken ..... D9/430  
 D733,549 S \* 7/2015 Sanfilippo ..... D9/414  
 9,463,896 B2 10/2016 Fitzwater  
 9,771,176 B2 9/2017 Kastanek et al.  
 10,023,349 B2 7/2018 Fitzwater  
 10,173,805 B2 1/2019 Waddington  
 D839,729 S 2/2019 Oliveira  
 D840,802 S \* 2/2019 van Dijk ..... D9/431  
 D850,907 S \* 6/2019 Moberg ..... D9/430  
 D858,912 S \* 9/2019 van Halder ..... D30/162  
 2003/0213705 A1 11/2003 Woog  
 2006/0091190 A1 5/2006 Nikolai  
 2006/0180643 A1 8/2006 Stephenson  
 2010/0124386 A1 5/2010 Sturgis  
 2010/0270367 A1 10/2010 Brandenburger  
 2015/0217897 A1 8/2015 Fitzwater  
 2016/0325877 A1 11/2016 Kastanek et al.

OTHER PUBLICATIONS

International Search Report and Written Opinion for PCT/US2019/026290 dated Jul. 24, 2019.

\* cited by examiner

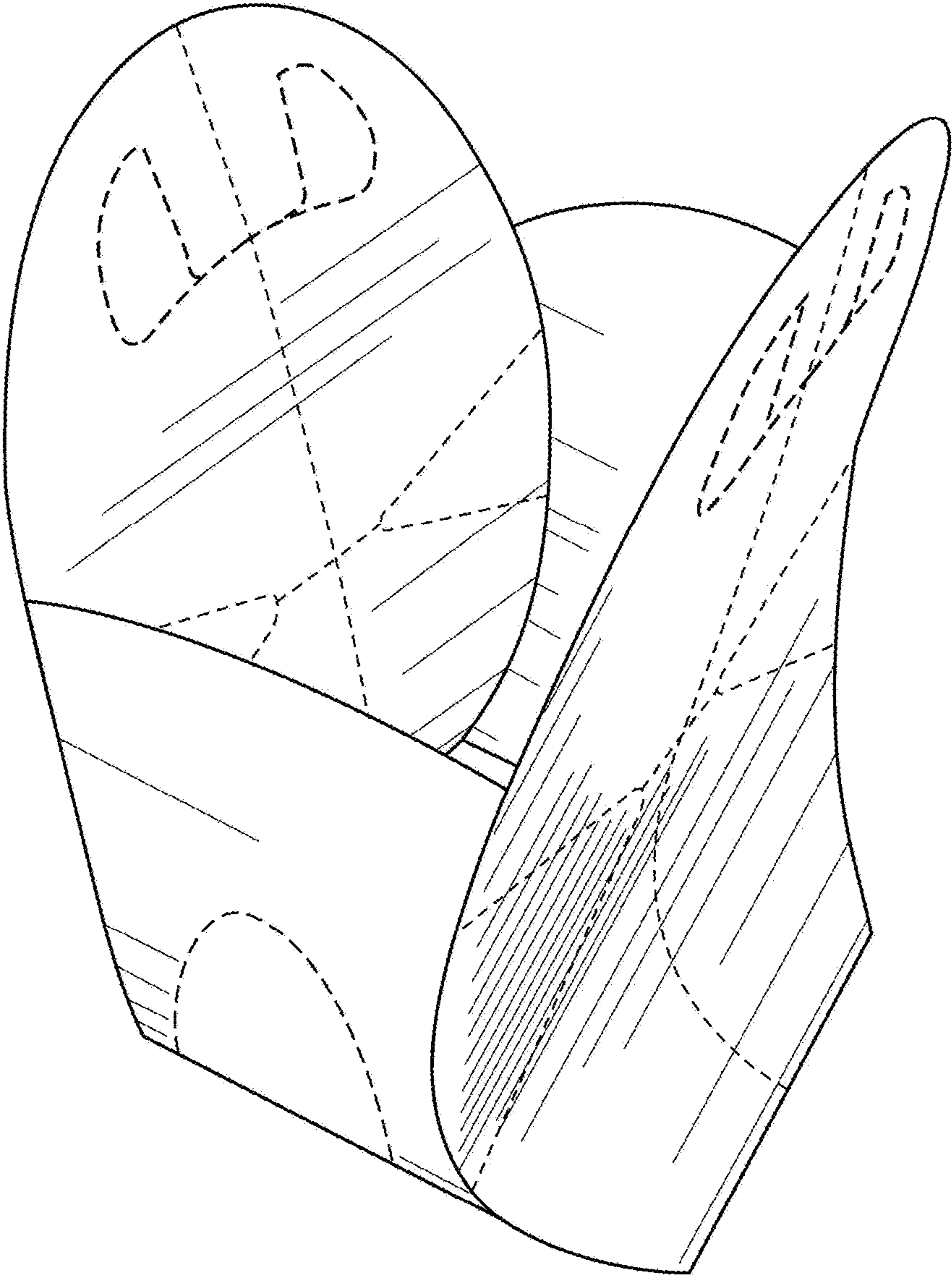
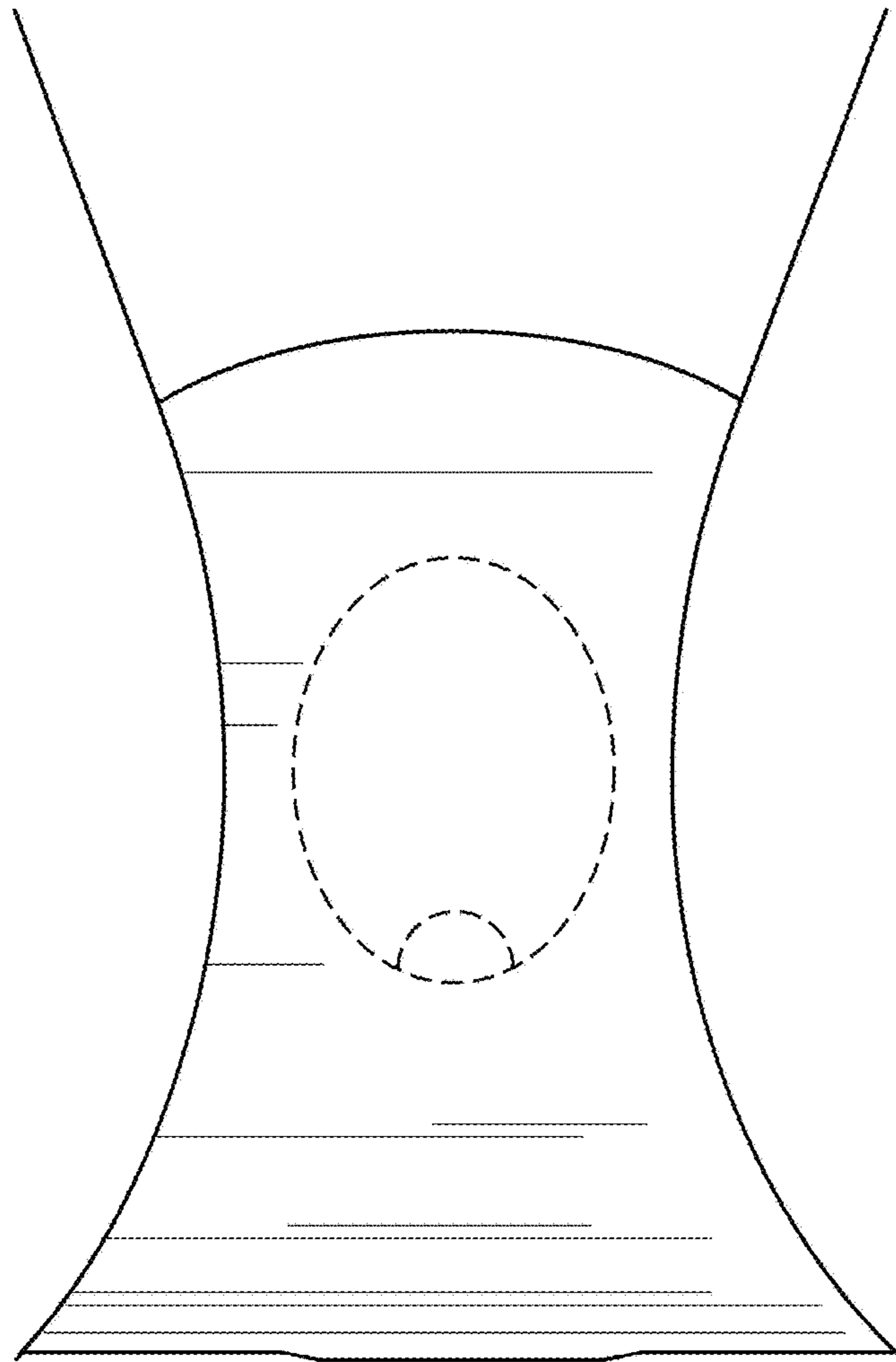


FIG. 1



**FIG. 2**

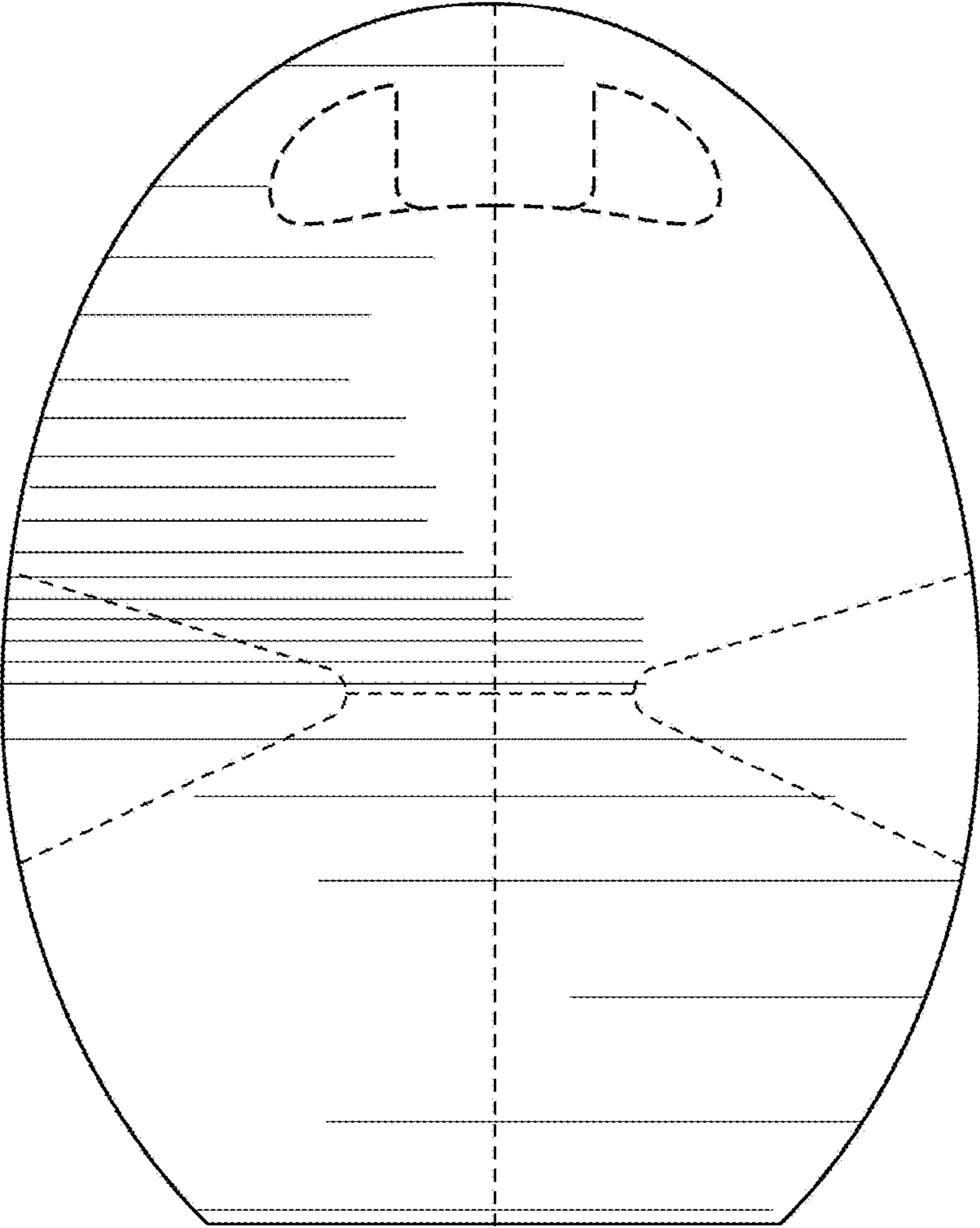
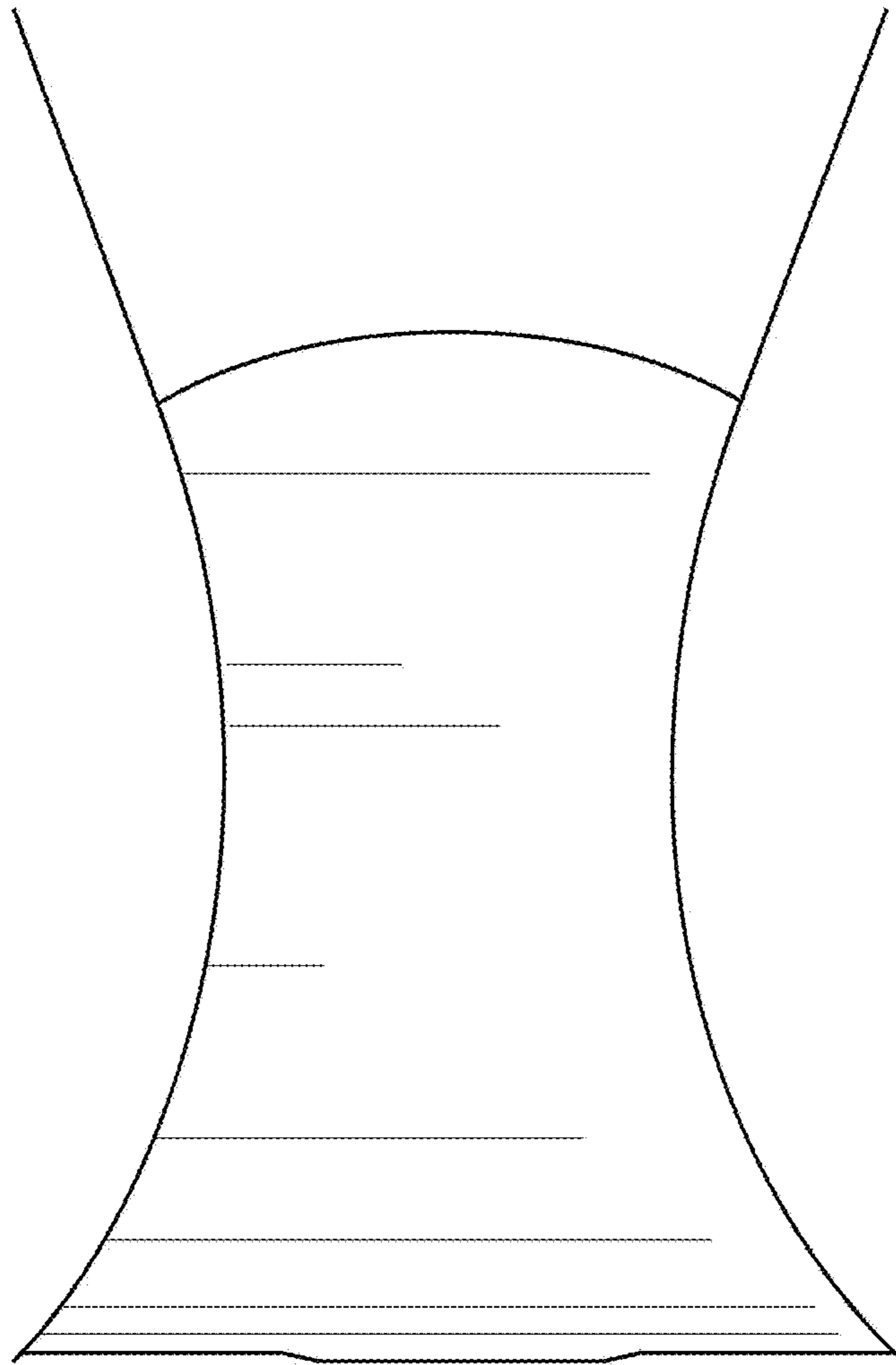
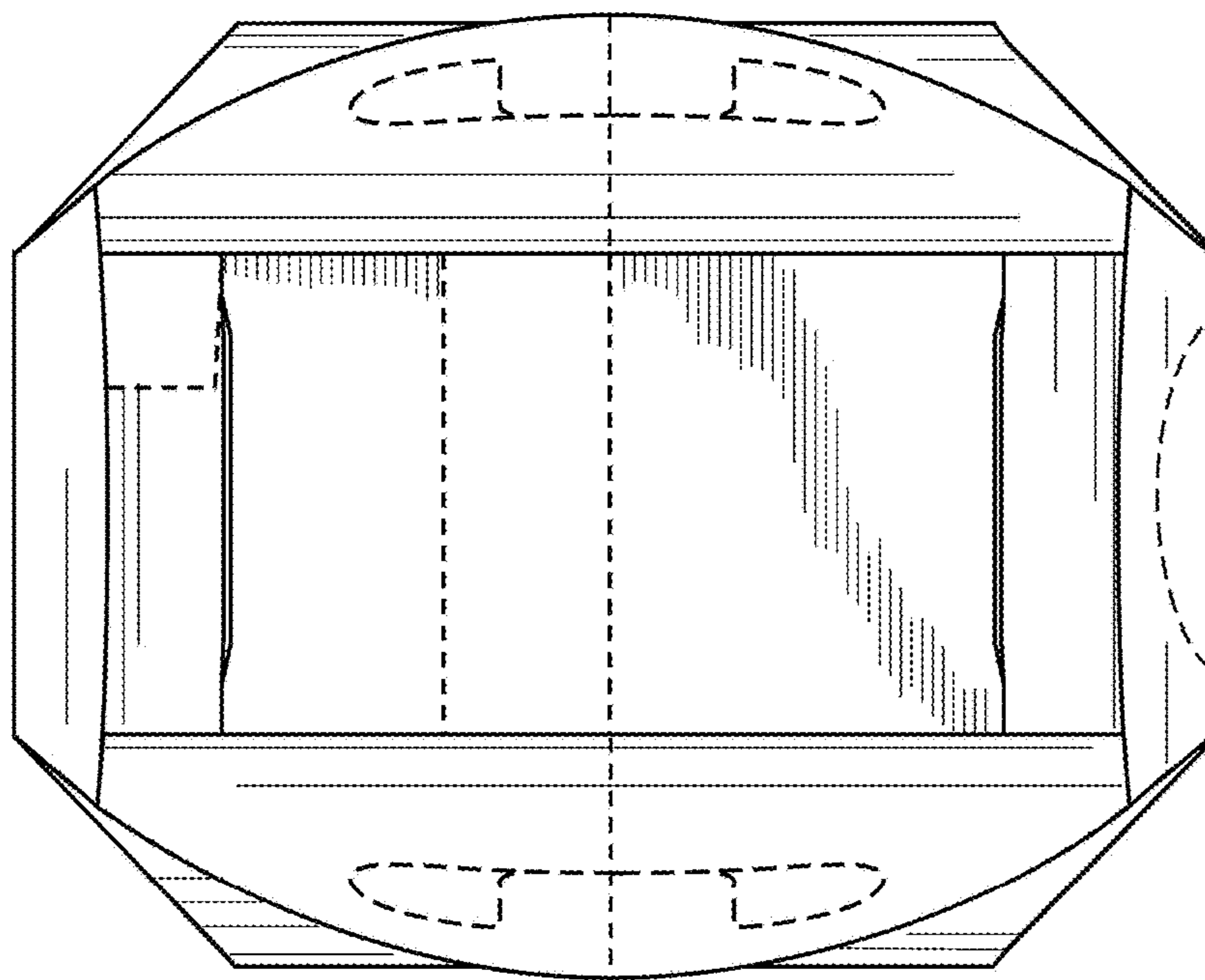


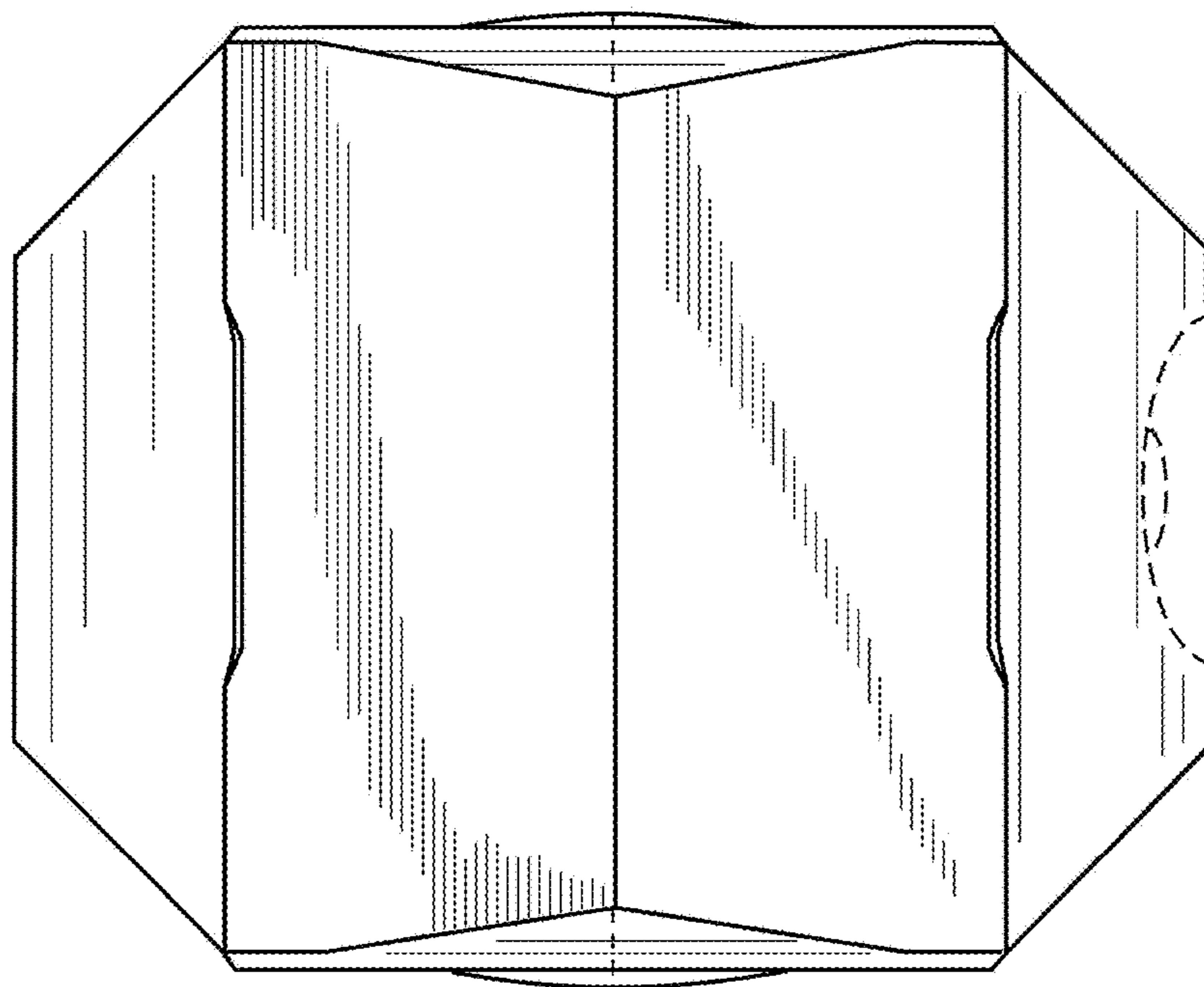
FIG. 3



**FIG. 4**



**FIG. 5**



**FIG. 6**



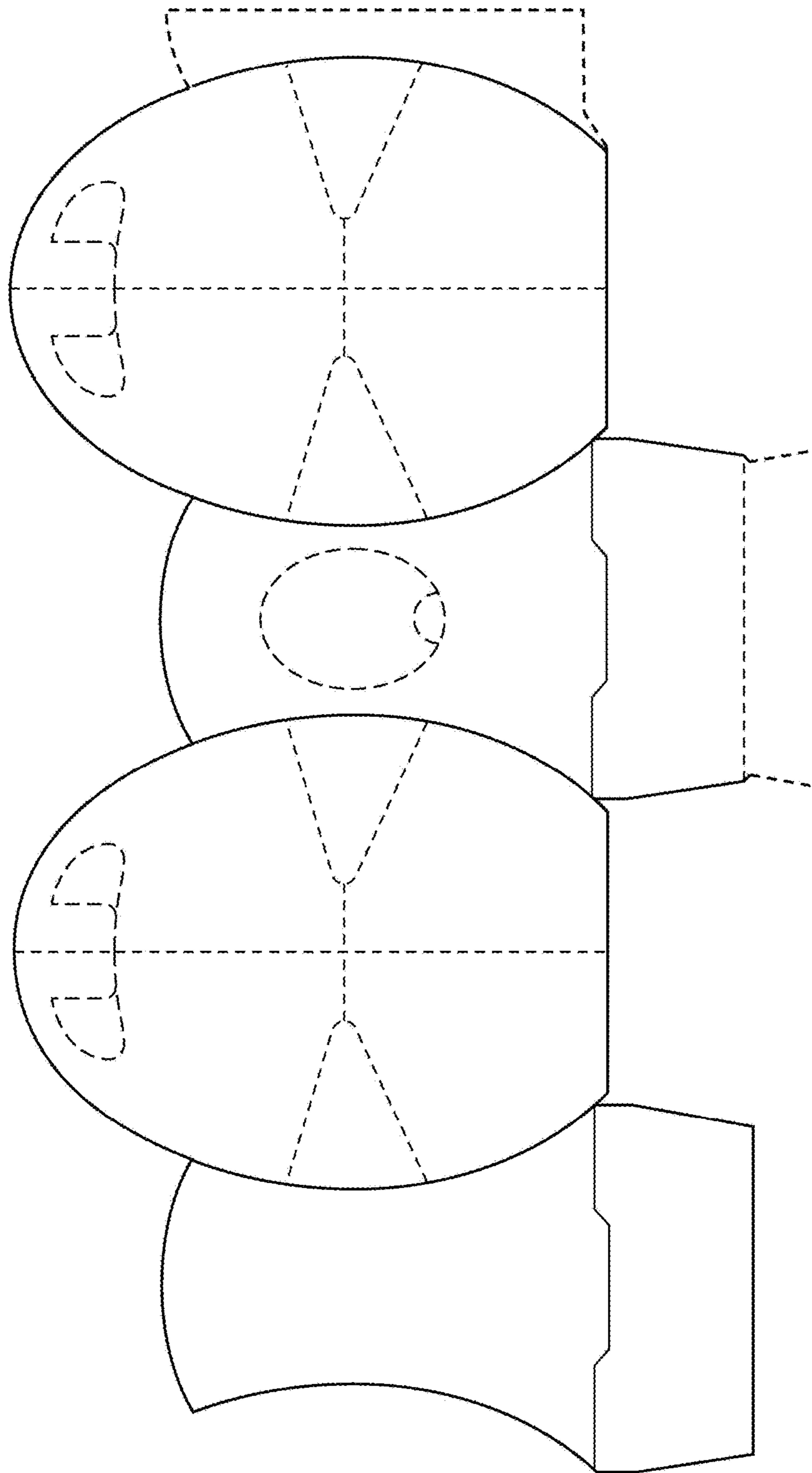


FIG. 7