



US00D870554S

(12) **United States Design Patent** (10) **Patent No.:** **US D870,554 S**  
**Dziaba et al.** (45) **Date of Patent:** **\*\* Dec. 24, 2019**

(54) **CONTAINER AND LID**

2517/5083; B65D 1/10; B65D 1/16;  
B65D 2101/003; B65D 15/08; B65D  
2251/023

(71) Applicant: **Kraft Foods Group Brands LLC**,  
Chicago, IL (US)

See application file for complete search history.

(72) Inventors: **Michele M. Dziaba**, Mundelein, IL  
(US); **Brant P. Wheaton**, Chicago, IL  
(US); **Andrew Thomas Tilton**, Grand  
Rapids, MI (US)

(56) **References Cited**

U.S. PATENT DOCUMENTS

3,227,304 A \* 1/1966 Ashury ..... B65D 17/401  
220/268  
3,301,459 A \* 1/1967 Gardner ..... B65D 43/0256  
220/266

(73) Assignee: **Kraft Foods Group Brands LLC**,  
Chicago, IL (US)

(Continued)

(\*\*) Term: **15 Years**

*Primary Examiner* — Lauren R Calve

(21) Appl. No.: **29/606,558**

(74) *Attorney, Agent, or Firm* — Fitch, Even, Tabin &  
Flannery LLP

(22) Filed: **Jun. 6, 2017**

(57) **CLAIM**

The ornamental design for a container and lid, as shown and  
described.

**Related U.S. Application Data**

**DESCRIPTION**

(63) Continuation of application No. 29/576,757, filed on  
Sep. 7, 2016, now Pat. No. Des. 792,221, which is a  
(Continued)

FIG. 1 is a perspective view of a container and lid showing  
our new design;

(51) **LOC (12) Cl.** ..... **09-03**

(52) **U.S. Cl.**  
USPC ..... **D9/424**; D9/428

FIG. 2 is a front elevation view of the container lid of FIG.  
1, the rear elevation view being an identical image;

(58) **Field of Classification Search**

USPC ..... D9/414, 416, 424, 425, 428, 429, 434,  
D9/435, 452, 454, 456, 500, 502, 503;  
D7/397, 538, 601, 602, 641, 629, 900  
CPC ..... B65D 2543/00034; B65D 2543/00069;  
B65D 2543/00083; B65D 2543/00092;  
B65D 2543/00049; B65D 2543/00099;  
B65D 2543/00074; B65D 2543/00148;  
B65D 2543/00174; B65D 2543/00296;  
B65D 2543/00231; B65D 2543/00537;  
B65D 2543/00555; B65D 2543/00685;  
B65D 2543/00759; B65D 2543/00796;  
B65D 43/02; B65D 43/0212; B65D  
43/0222; B65D 43/1252; B65D 43/0256;  
B65D 43/0293; B65D 2517/5078; B65D

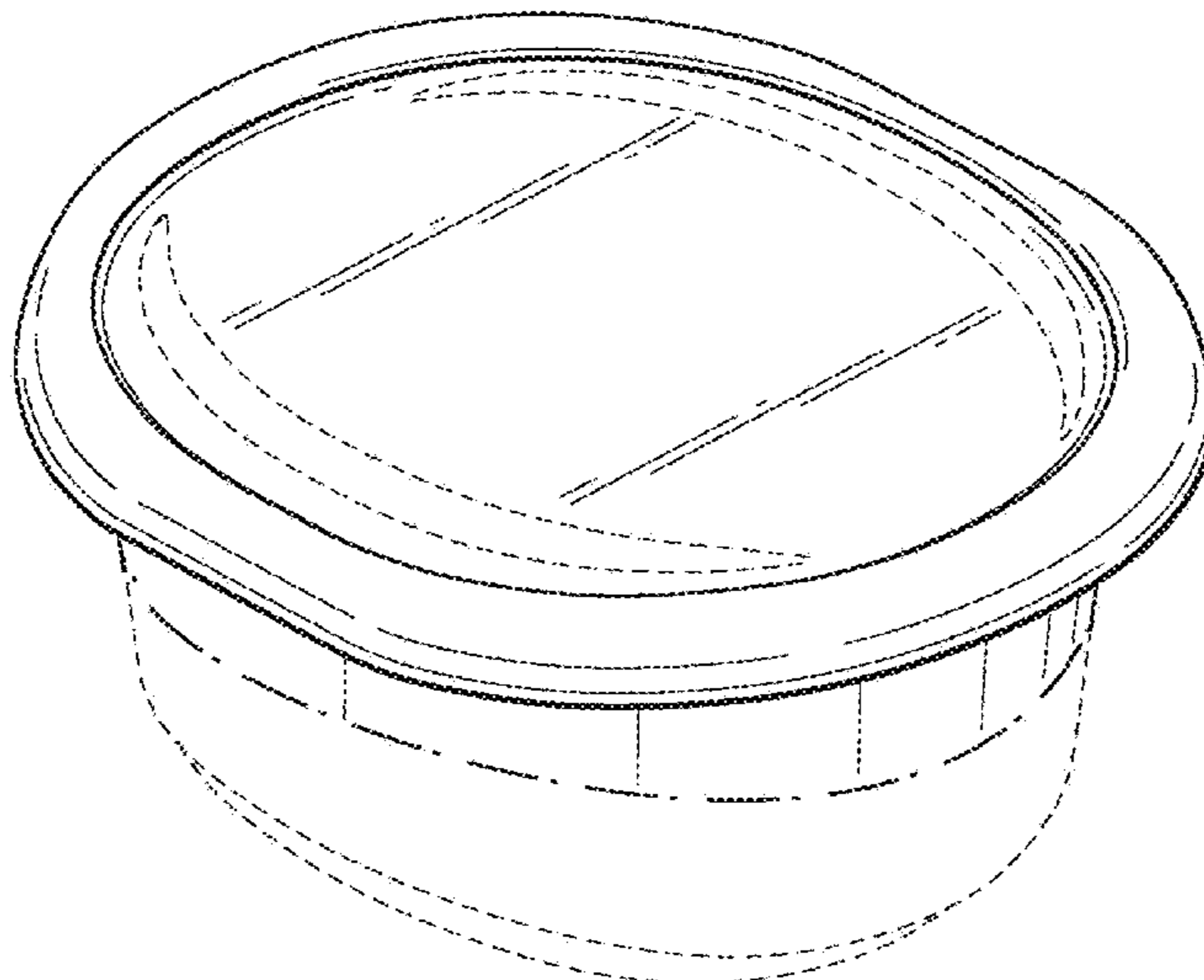
FIG. 3 is a right side elevation view of the container and lid  
of FIG. 1, the left side elevation view being an identical  
image;

FIG. 4 is a top plan view of the container and lid of FIG. 1;  
and,

FIG. 5 is a bottom plan view of the container and lid of FIG.  
1.

Portions of the containers, container and lids, and lids shown  
in broken lines in the figures are for illustrative purposes  
only and form no part of the claimed design. The appearance  
of any portion of the container between break lines in the  
figures forms no part of the claimed design. The broken lines  
which define the bounds of the claimed designs form no part  
thereof.

**1 Claim, 3 Drawing Sheets**



**Related U.S. Application Data**

continuation of application No. 29/510,173, filed on Nov. 25, 2014, now Pat. No. Des. 772,701, which is a continuation of application No. 29/466,521, filed on Sep. 9, 2013, now Pat. No. Des. 720,613.

(56)

**References Cited**

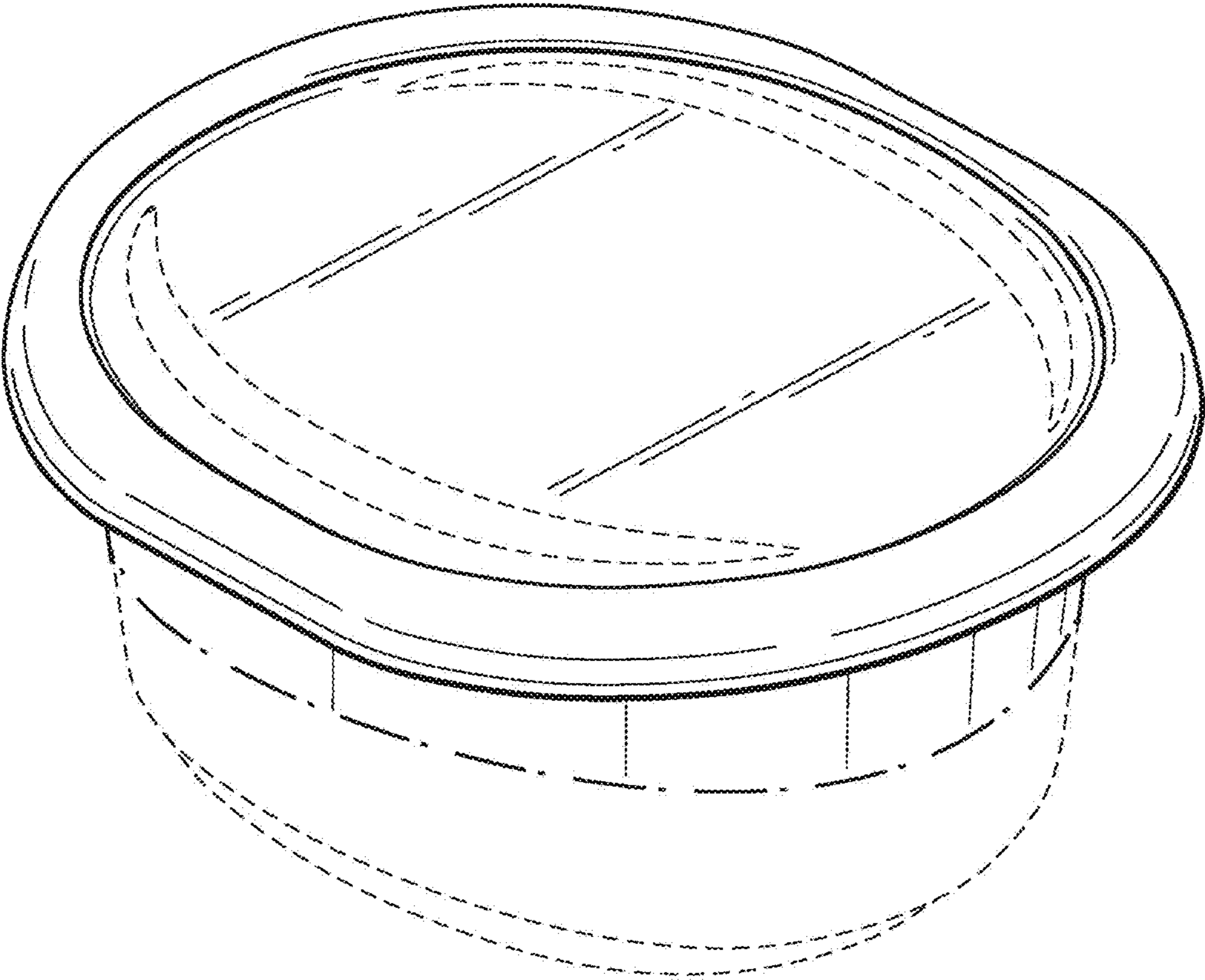
U.S. PATENT DOCUMENTS

3,338,468 A \* 8/1967 Wilson ..... B65D 21/0219  
206/508  
3,362,569 A \* 1/1968 Geiger ..... B21D 51/383  
220/268  
3,777,968 A \* 12/1973 Law ..... B65D 43/0268  
229/404  
4,027,775 A \* 6/1977 Mygatt, Jr. .... B65D 21/0233  
220/266  
4,056,210 A \* 11/1977 Boyle ..... B65D 47/10  
220/712  
4,186,842 A \* 2/1980 Albert ..... B65D 47/2018  
220/203.04  
D276,401 S \* 11/1984 Daenen ..... D7/602  
D287,573 S \* 1/1987 Tyler ..... D7/391  
D321,302 S \* 11/1991 Zimmerman ..... D7/359  
D330,312 S \* 10/1992 Narsutis ..... D7/629  
D362,932 S \* 10/1995 Brightbill ..... D32/37  
D425,416 S \* 5/2000 Denham ..... D9/416  
D467,800 S \* 12/2002 Chen ..... D9/428  
D591,591 S \* 5/2009 Moecks ..... D9/428  
D608,585 S \* 1/2010 Picozza ..... D7/354  
D629,658 S \* 12/2010 Rusnak ..... D7/629  
D630,512 S \* 1/2011 Venier ..... D9/425  
D632,559 S \* 2/2011 Georgiadis ..... D9/424

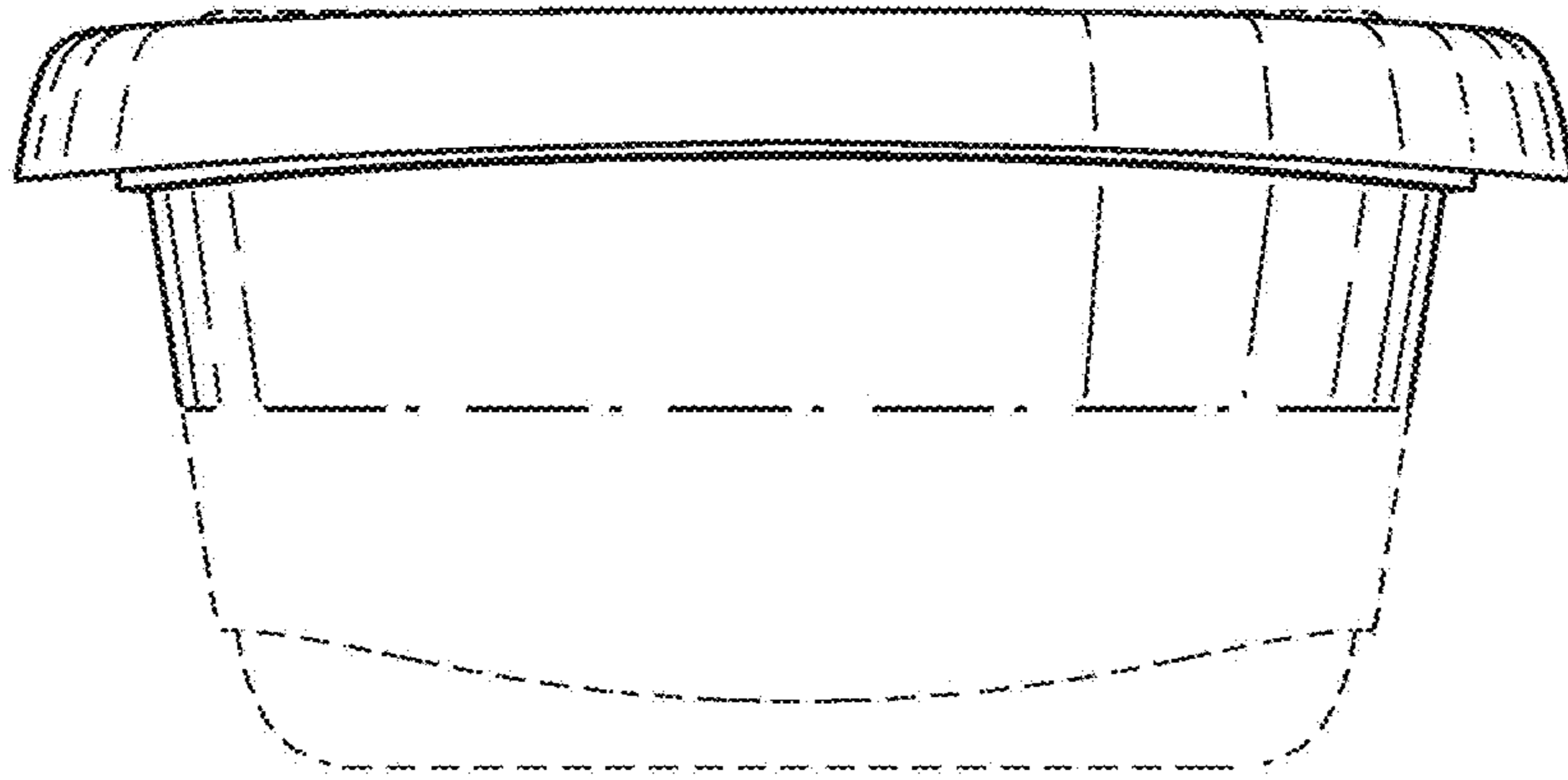
D641,628 S \* 7/2011 Baughman ..... D9/452  
D650,660 S \* 12/2011 Shiffer ..... D9/425  
D650,661 S \* 12/2011 Shiffer ..... D9/425  
D650,662 S \* 12/2011 Shiffer ..... D9/425  
D666,876 S \* 9/2012 Rusnak ..... D7/602  
D669,313 S \* 10/2012 Paladino ..... D7/602  
D675,518 S \* 2/2013 Wheaton ..... D9/424  
D679,548 S \* 4/2013 Chen ..... D7/545  
D679,991 S \* 4/2013 Hudson ..... D9/428  
D682,108 S \* 5/2013 Berggren ..... D9/454  
D706,131 S \* 6/2014 Brooks ..... D9/428  
D718,983 S \* 12/2014 Yessin ..... D7/629  
D720,613 S \* 1/2015 Dziaba ..... D9/424  
D748,991 S \* 2/2016 Cerrato ..... D9/737  
D760,075 S \* 6/2016 Irimia ..... D9/435  
D764,277 S \* 8/2016 Irimia ..... D9/428  
D764,871 S \* 8/2016 Touchet ..... D7/545  
D764,908 S \* 8/2016 Shiffer ..... D9/428  
D765,503 S \* 9/2016 Shiffer ..... D9/428  
D766,079 S \* 9/2016 Shiffer ..... D9/428  
D772,701 S \* 11/2016 Dziaba ..... D9/428  
D774,887 S \* 12/2016 Torrison ..... D9/416  
D824,248 S \* 7/2018 Tuchrelo ..... D9/425  
D843,830 S \* 3/2019 Hansen ..... D9/428  
2007/0062948 A1 \* 3/2007 Albrecht ..... B65D 43/0212  
220/266  
2012/0205375 A1 \* 8/2012 Hudson ..... B65D 43/0212  
220/212  
2013/0168394 A1 \* 7/2013 Messier ..... B65D 43/162  
220/266  
2013/0320014 A1 \* 12/2013 Albrecht ..... B65D 43/0212  
220/270  
2016/0194112 A1 \* 7/2016 Dziaba ..... B65D 21/0219  
206/505

\* cited by examiner

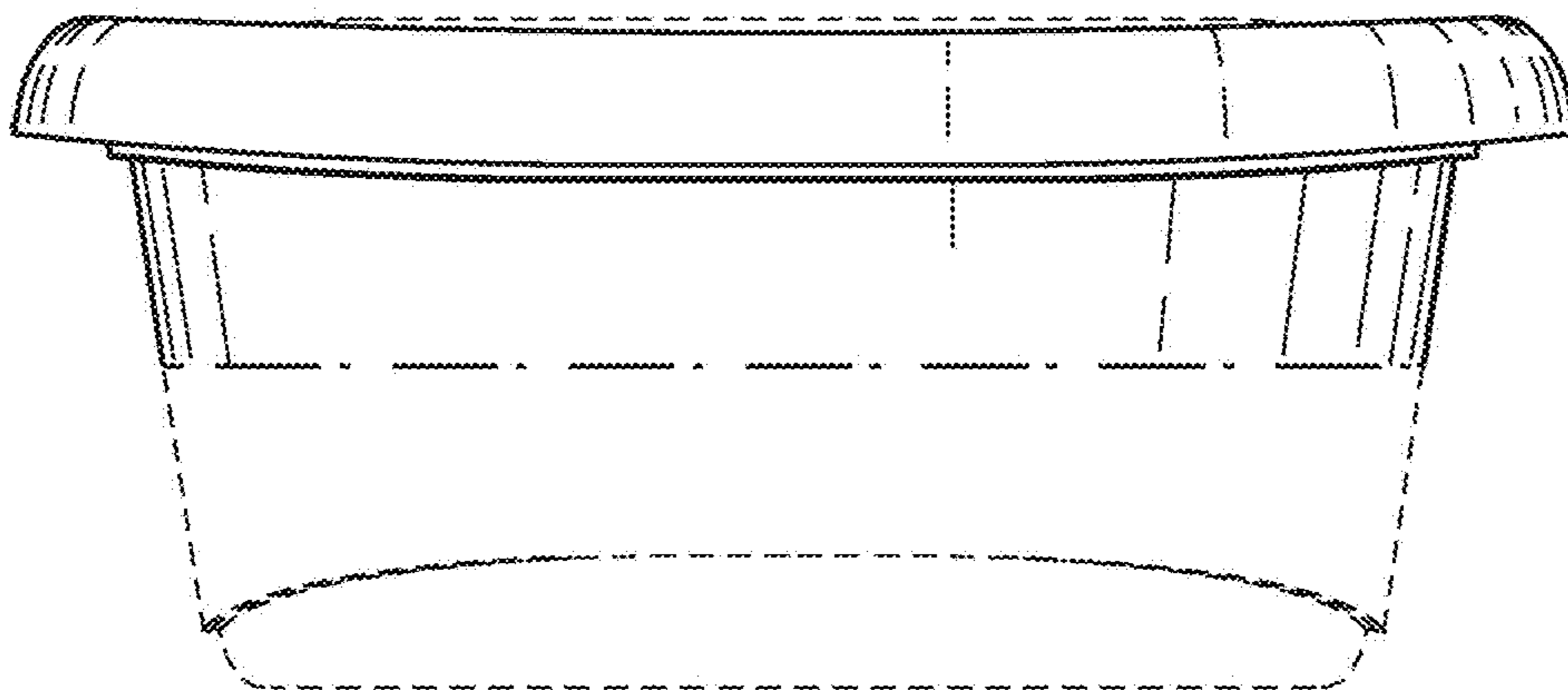
**FIG. 1**



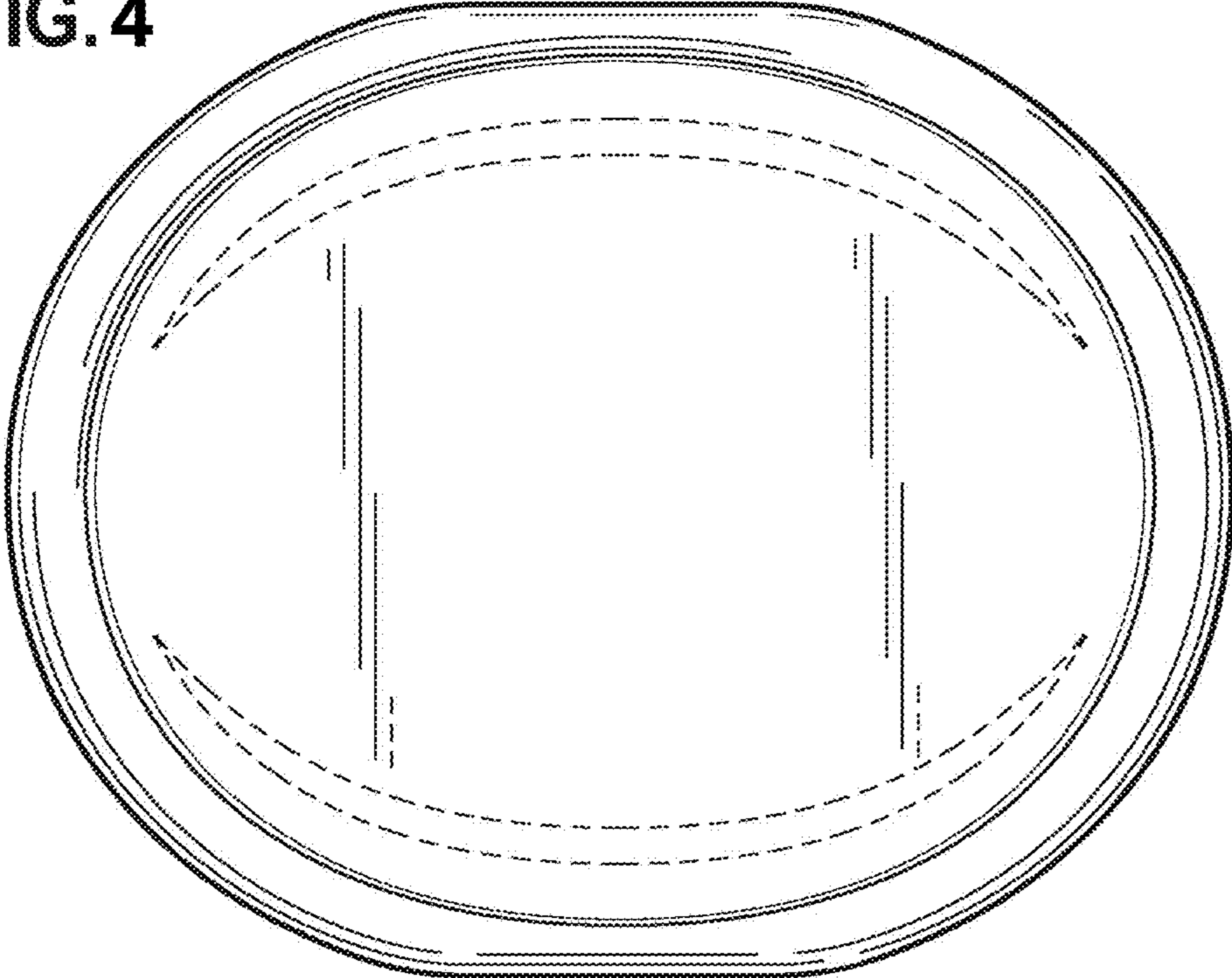
**FIG. 2**



**FIG. 3**



**FIG. 4**



**FIG. 5**

