



US00D870553S

(12) **United States Design Patent** (10) **Patent No.:** **US D870,553 S**
Figgins (45) **Date of Patent:** **** Dec. 24, 2019**

(54) **PORTION OF A PACKING CONTAINER**

(71) Applicant: **Sonoco Plastics, Inc.**, Hartsville, SC
(US)

(72) Inventor: **Travis Figgins**, Wesley Chapel, FL
(US)

(73) Assignee: **Sonoco Plastics, Inc.**, Hartsville, SC
(US)

(**) Term: **15 Years**

(21) Appl. No.: **29/641,053**

(22) Filed: **Mar. 19, 2018**

(51) **LOC (12) Cl.** **09-03**

(52) **U.S. Cl.**
USPC **D9/423; D9/426**

(58) **Field of Classification Search**
USPC D9/418, 420, 424, 425, 426, 430, 431,
D9/432, 433, 438, 449, 629, 711, 737;
D7/546, 549, 538, 553, 601, 602, 615,
D7/701; 229/111, 112, 222, 230, 902,
229/904; D5/47, 53, 58
CPC . B65D 5/00; B65D 5/66; B65D 5/325; B65D
5/5253; B65D 5/5246; B65D 5/6644;
B65D 1/34; B65D 81/3813; B65D
43/163; B65D 21/00
See application file for complete search history.

(56) **References Cited**

U.S. PATENT DOCUMENTS

D277,167 S * 1/1985 Dart D9/414
5,860,530 A * 1/1999 Simmons B65D 43/021
206/557
D420,584 S * 2/2000 Hopkins D9/415
D657,237 S * 4/2012 Allers D9/423
D664,841 S * 8/2012 Allers D9/423

D668,536 S * 10/2012 Sanfilippo D9/423
D684,466 S * 6/2013 Wichmann D9/426
D734,664 S * 7/2015 Murphy D9/426
D742,219 S * 11/2015 Murphy D9/426
D824,249 S * 7/2018 Mei D9/426
D837,647 S * 1/2019 Tamshe D9/420
D840,221 S * 2/2019 Lam D9/423
D843,831 S * 3/2019 Poorman D9/431
10,266,312 B2 * 4/2019 Fosse B65D 43/22
D850,249 S * 6/2019 D'Alessandro D9/423
D850,933 S * 6/2019 Troudt D9/737

* cited by examiner

Primary Examiner — Wan Laymon

Assistant Examiner — Clint A Samuel

(74) *Attorney, Agent, or Firm* — Fish & Richardson P.C.

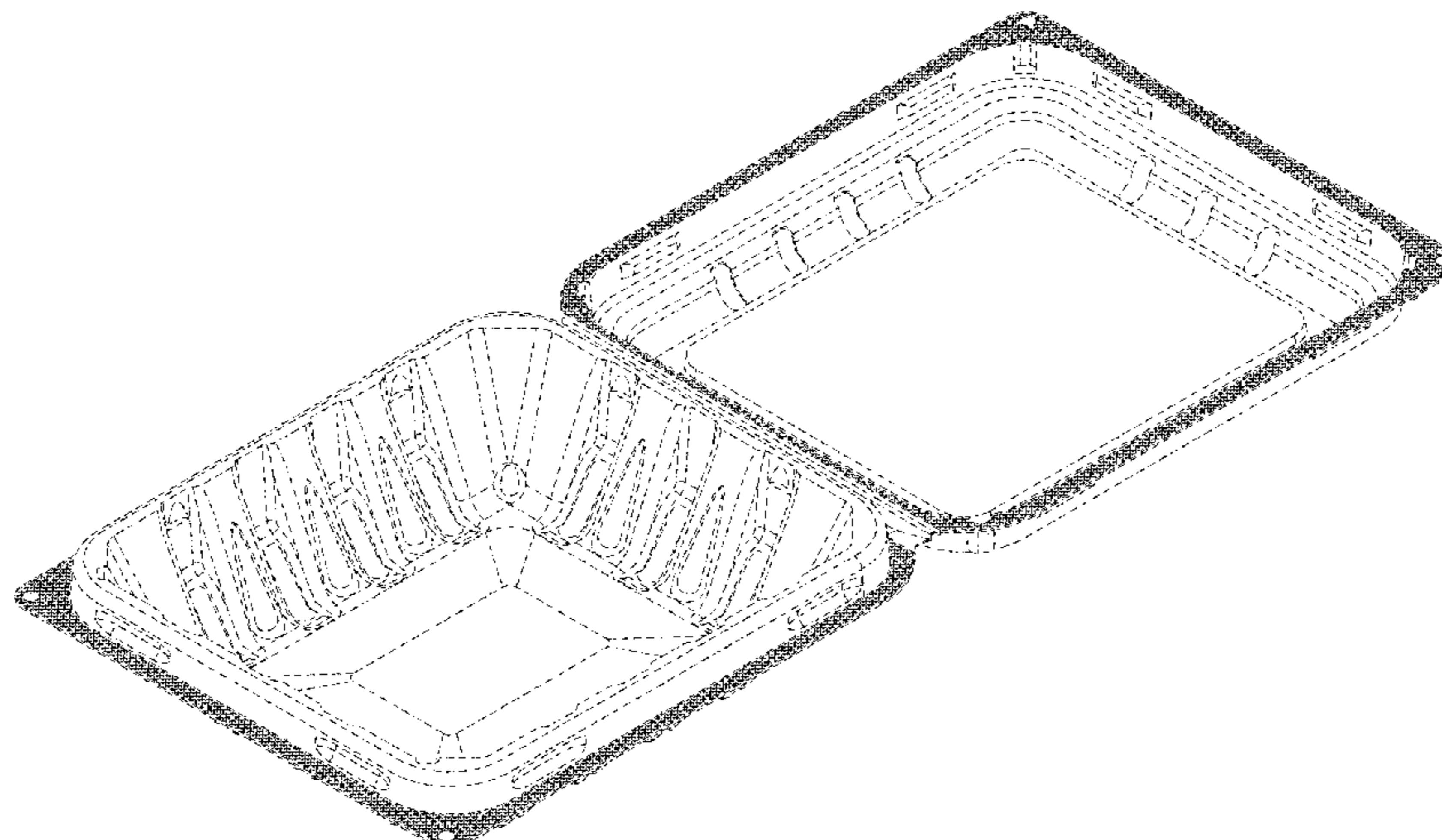
(57) **CLAIM**

The ornamental design for a portion of a packing container, as shown and described.

DESCRIPTION

FIG. 1 is a top perspective view of a portion of a packing container showing my design;
FIG. 2 is a top view of FIG. 1;
FIG. 3 is a bottom view of FIG. 1;
FIG. 4 is a (left/right) side view of FIG. 1;
FIG. 5 is a front view of FIG. 1;
FIG. 6 is a back view of FIG. 1;
FIG. 7 is a detailed top view of FIG. 1 attached to the packing container, corresponding to the section marked in FIG. 2; and,
FIG. 8 is a detailed profile (left/right/front/back) view of FIG. 1 attached to the packing container, corresponding to the section marked in FIG. 4.
The broken lines illustrate environmental features that form no part of the claimed design.

1 Claim, 7 Drawing Sheets



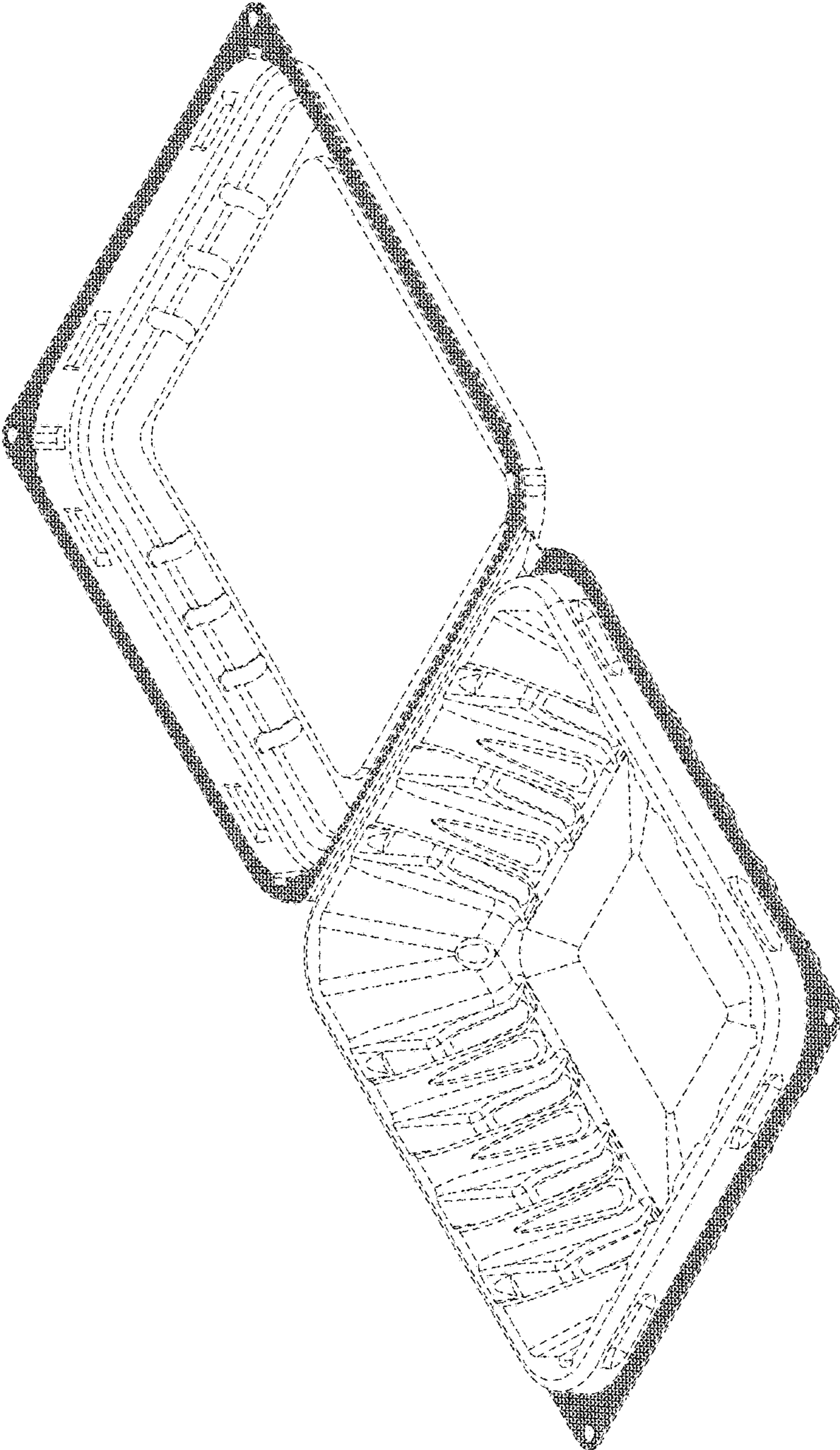
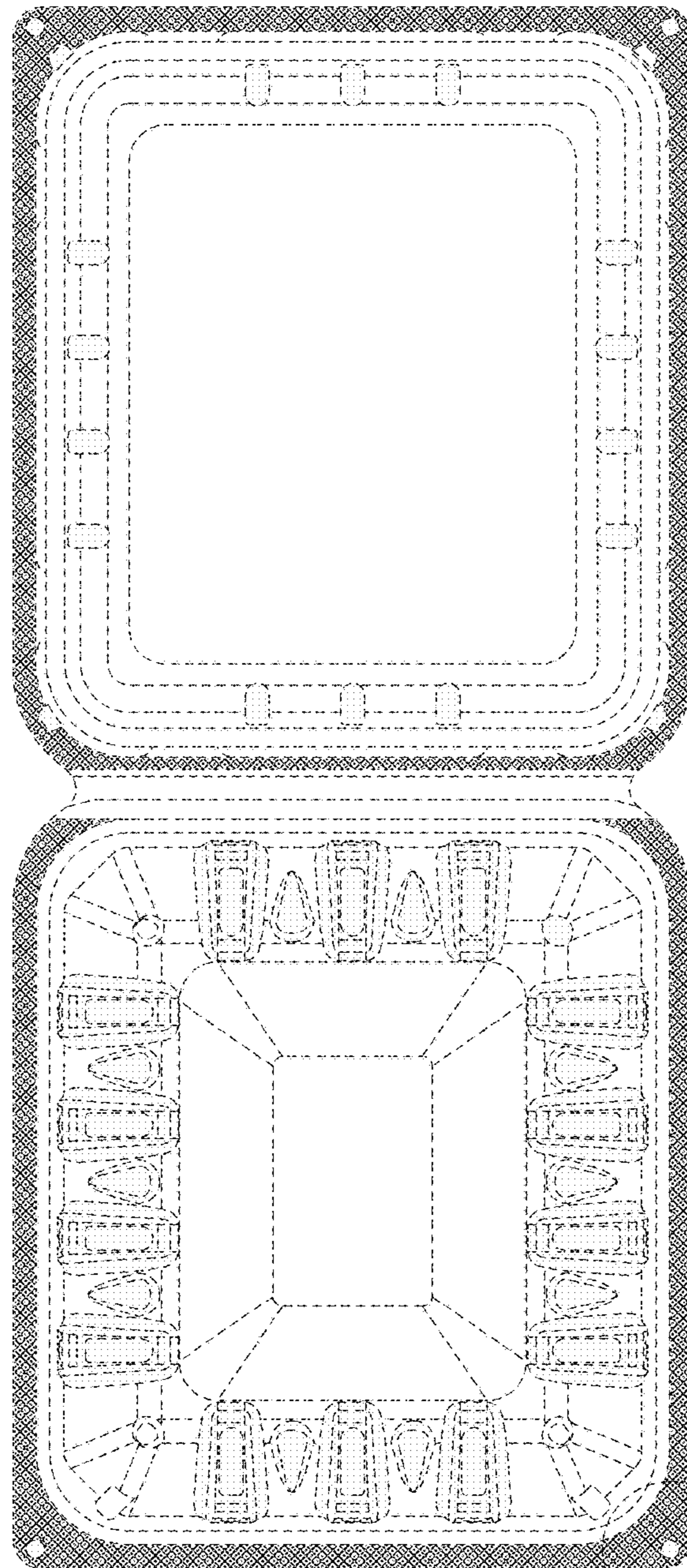


FIG. 1



7

FIG. 2

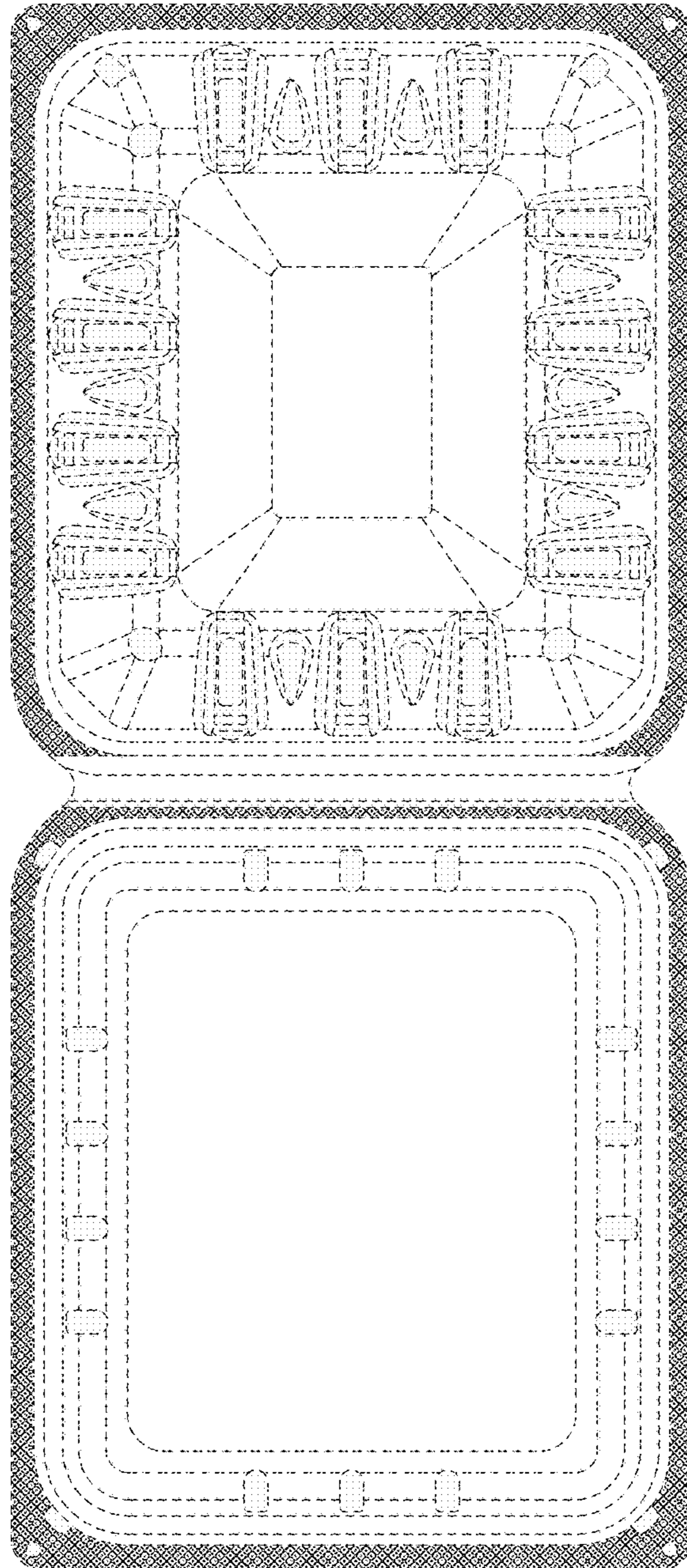


FIG. 3

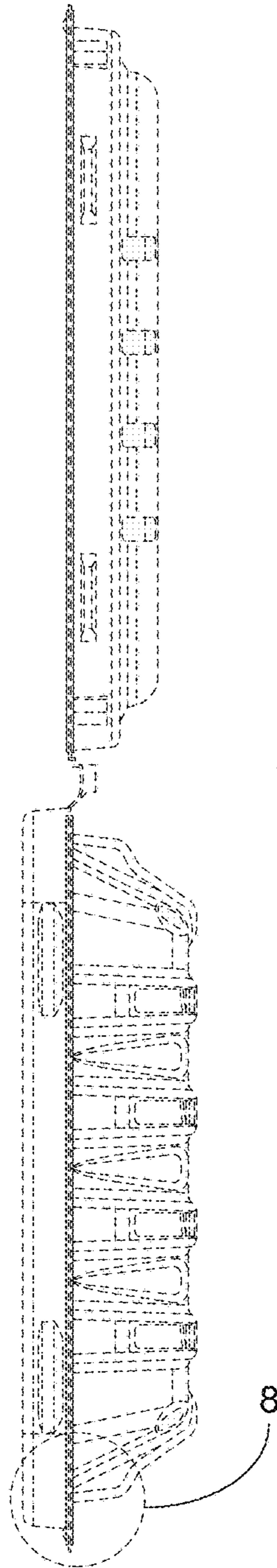


FIG. 4

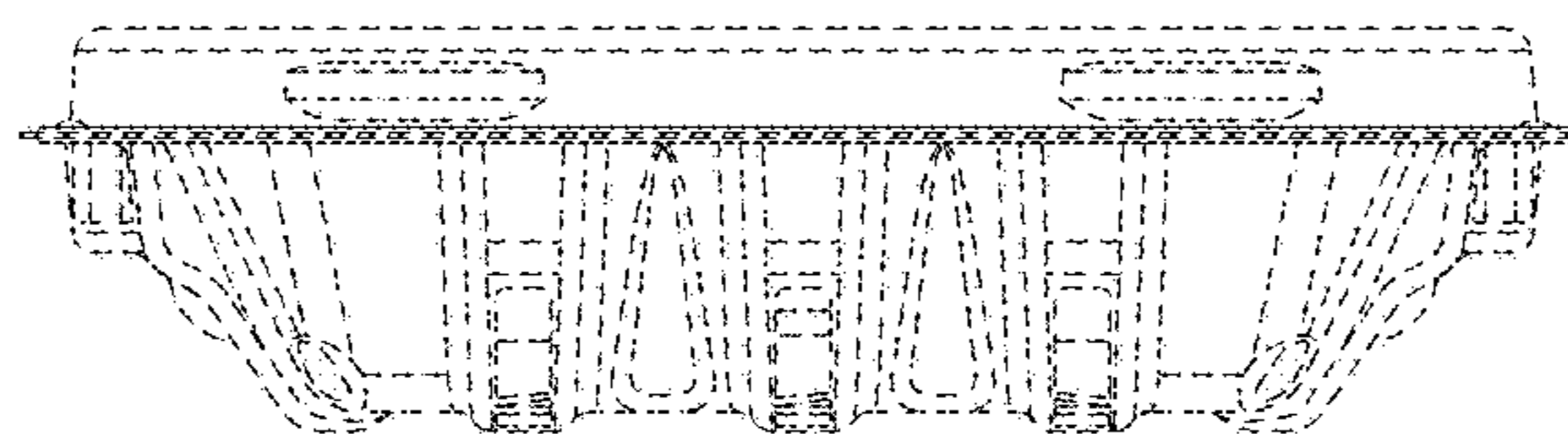


FIG. 5



FIG. 6

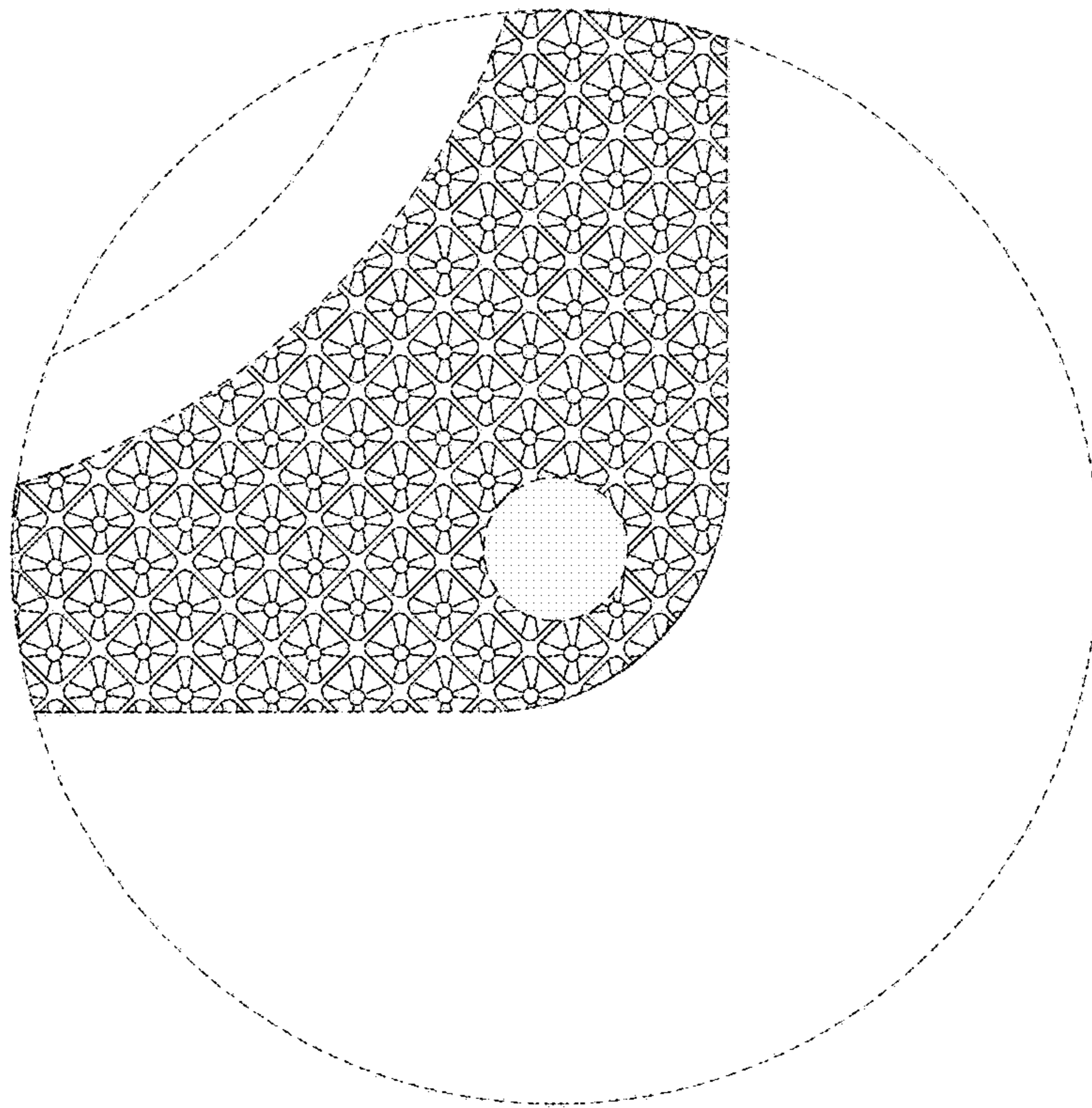


FIG. 7

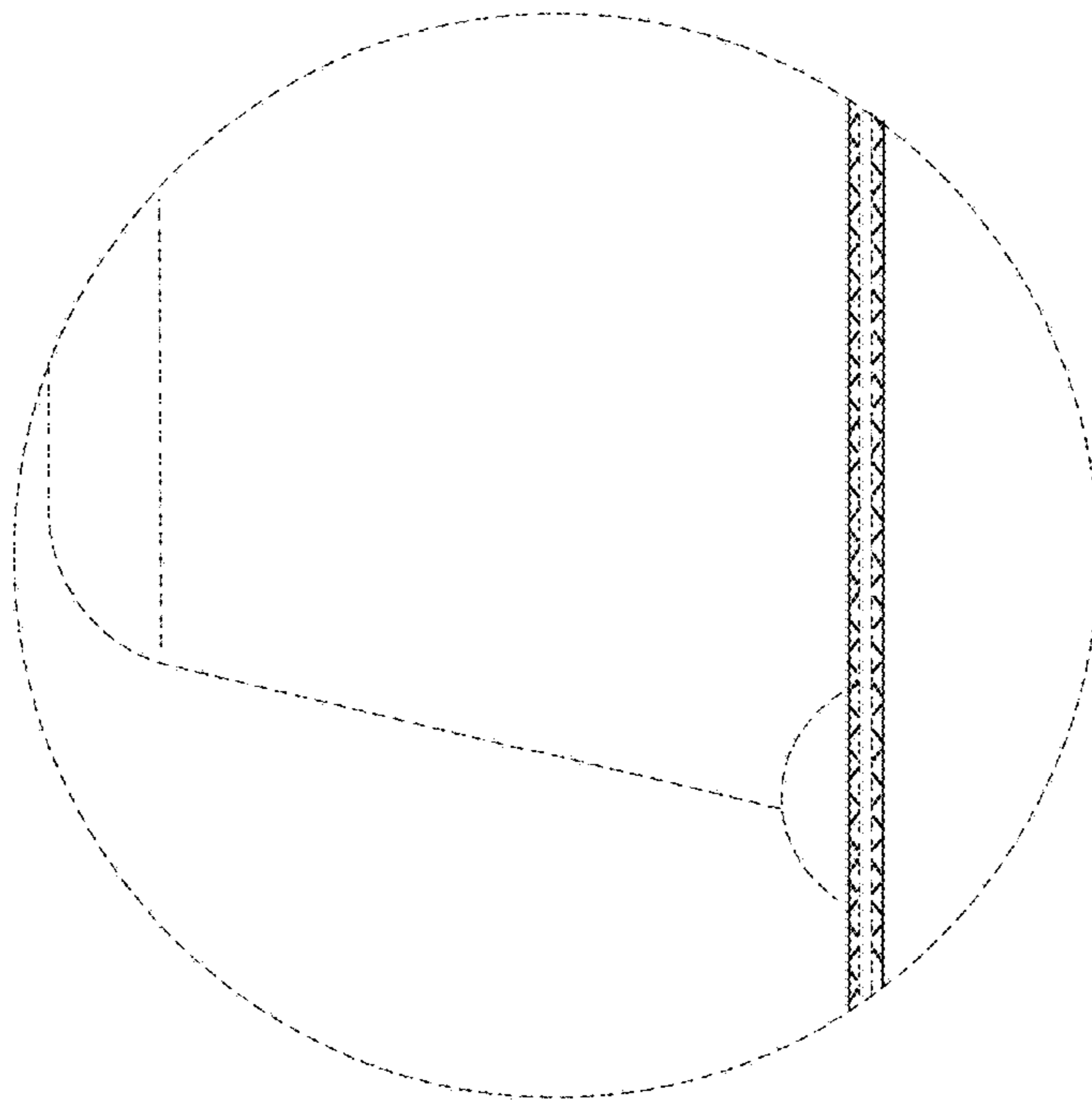


FIG. 8