



US00D870552S

(12) **United States Design Patent** (10) **Patent No.:** **US D870,552 S**
Chong et al. (45) **Date of Patent:** **** Dec. 24, 2019**

(54) **PRODUCT CONTAINER**

(71) Applicant: **WM. WRIGLEY JR. COMPANY,**
Chicago, IL (US)

(72) Inventors: **Chen Howe Chong,** Hong Kong (HK);
Changdan Li, Guangzhou (CN); **Siying Liang,** Guangzhou (CN); **Yali Cheng,** Guangzhou (CN)

(73) Assignee: **WM. WRIGLEY JR. COMPANY,**
Chicago, IL (US)

(**) Term: **15 Years**

(21) Appl. No.: **29/655,698**

(22) Filed: **Jul. 6, 2018**

(30) **Foreign Application Priority Data**

Jan. 8, 2018 (CN) 2018 3 0006578

(51) **LOC (12) Cl.** **09-03**

(52) **U.S. Cl.**
USPC **D9/420**

(58) **Field of Classification Search**
USPC D9/414, 420, 423, 428, 432, 763, 767,
D9/770, 780; D3/201, 203.5, 900, 901,
D3/903, 905; D7/601, 602, 900
CPC ... B65D 1/10; B65D 1/12; B65D 1/14; B65D
1/15; B65D 1/16; B65D 1/18; B65D
1/22; B65D 1/165; B65D 25/00; B65D
43/02; B65D 43/14; B65D 43/162; B65D
43/163;

(Continued)

(56) **References Cited**

U.S. PATENT DOCUMENTS

D461,352 S * 8/2002 Pianezza D6/520
6,772,904 B1 * 8/2004 Gilliam B65D 1/10
220/254.3

(Continued)

Primary Examiner — Wan Laymon
Assistant Examiner — Clint A Samuel

(57) **CLAIM**

We claim the ornamental design for a product container, as substantially shown and described.

DESCRIPTION

FIG. 1 is an elevated perspective view of a product container of the present invention.

FIG. 2 is a level view of a front side of the product container of the present invention.

FIG. 3 is a level view of a rear side of the product container of the present invention.

FIG. 4 is a level view of a right side of the product container of the present invention.

FIG. 5 is a level view of a left side of the product container of the present invention.

FIG. 6 is a top plan view of a top side of the product container of the present invention.

FIG. 7 is a bottom-up view of a bottom side of the product container of the present invention.

FIG. 8 is an elevated perspective view of a variant of the product container of the present invention.

FIG. 9 is a level view of a front side of the variant of the present invention.

FIG. 10 is a level view of a rear side of the variant of the present invention.

FIG. 11 is a level view of a right side of the variant of the present invention.

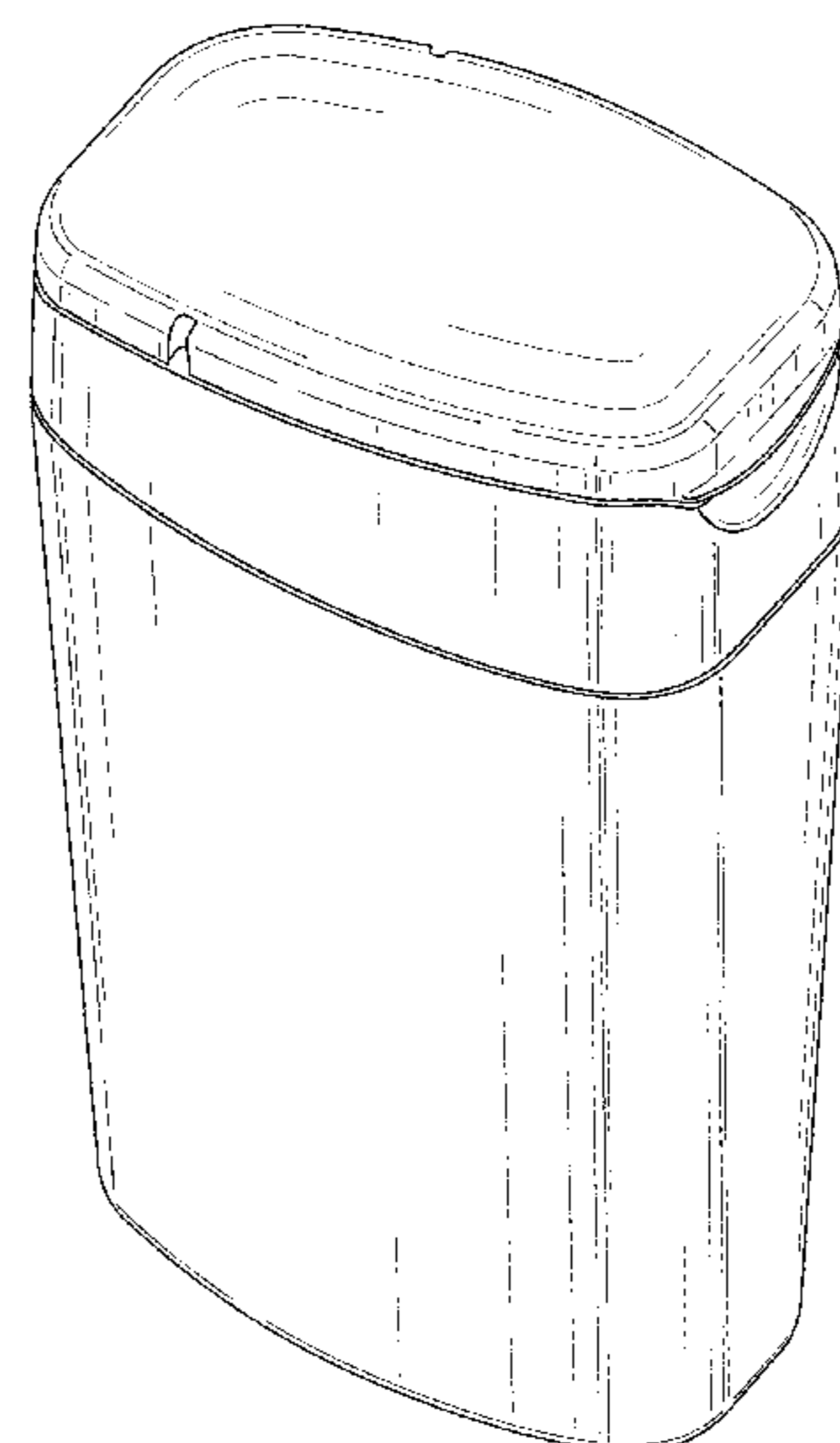
FIG. 12 is a level view of a left side of the variant of the present invention.

FIG. 13 is a top plan view of a top side of the variant of the present invention; and,

FIG. 14 is a bottom-up view of a bottom side of the variant of the present invention.

The broken lines shown in the drawings are included for the purpose of illustrating portions of the product container and form no part of the claimed design.

1 Claim, 10 Drawing Sheets



(58) **Field of Classification Search**

CPC .. B65D 43/164; B65D 81/02; B65D 81/3813;
B65D 21/0234

See application file for complete search history.

(56) **References Cited**

U.S. PATENT DOCUMENTS

D599,655	S *	9/2009	Friebe	D9/420
D694,100	S *	11/2013	Schneider	D24/224
D744,328	S *	12/2015	Ramachandran	D9/420
D744,826	S *	12/2015	Giraud	D9/420
D763,681	S *	8/2016	Morgan	D9/428
D840,684	S *	2/2019	Luburic	D3/294
D846,380	S *	4/2019	Giraud	D9/420
2004/0238553	A1 *	12/2004	Lane	B65D 43/169 220/835
2018/0244438	A1 *	8/2018	Morichon	B65D 43/0218
2019/0021531	A1 *	1/2019	Sims	A47G 19/2272
2019/0077556	A1 *	3/2019	Luburic	B65D 50/06
2019/0135508	A1 *	5/2019	Sunning	B65D 77/20

* cited by examiner

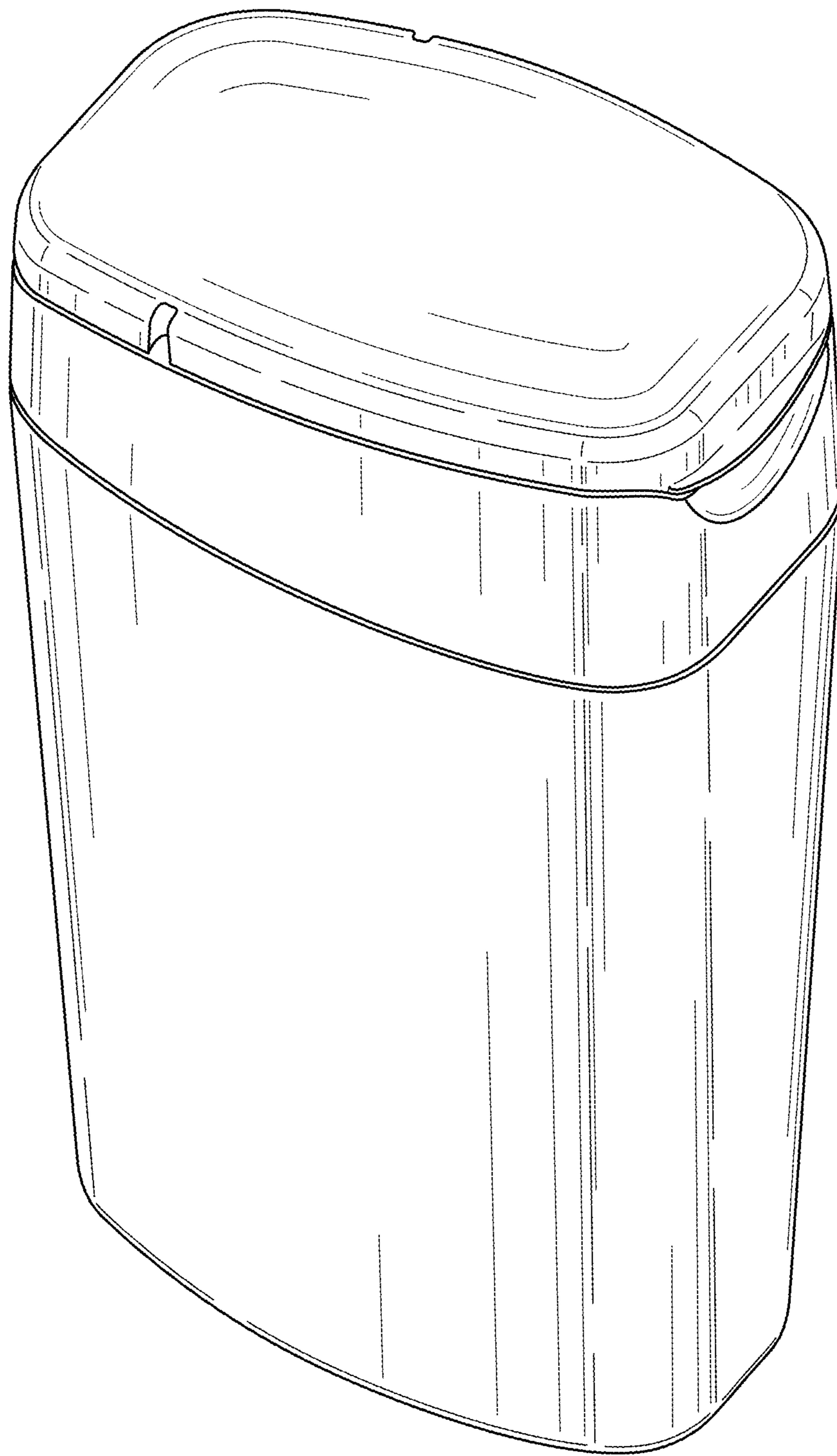


FIG. 1

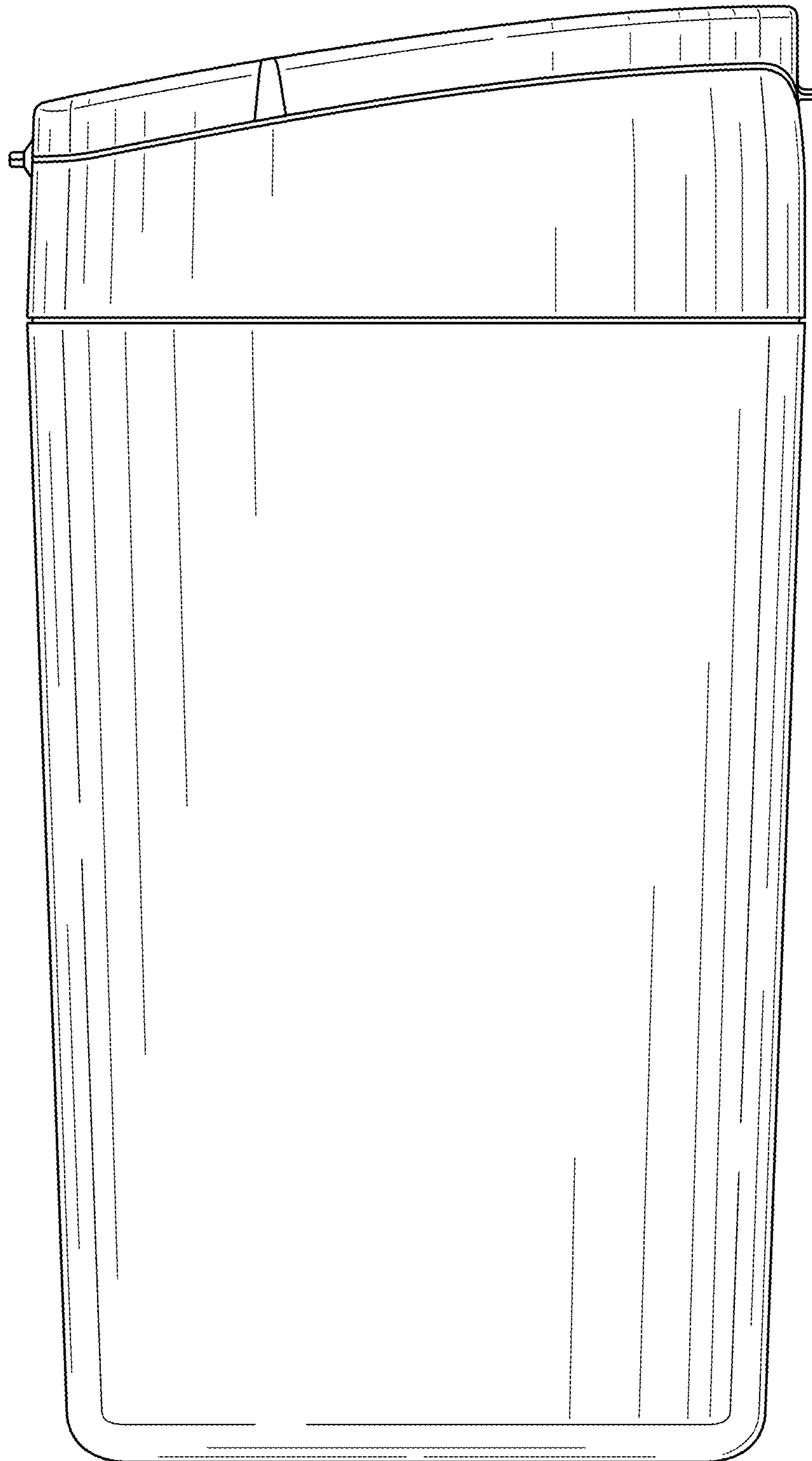


FIG. 2

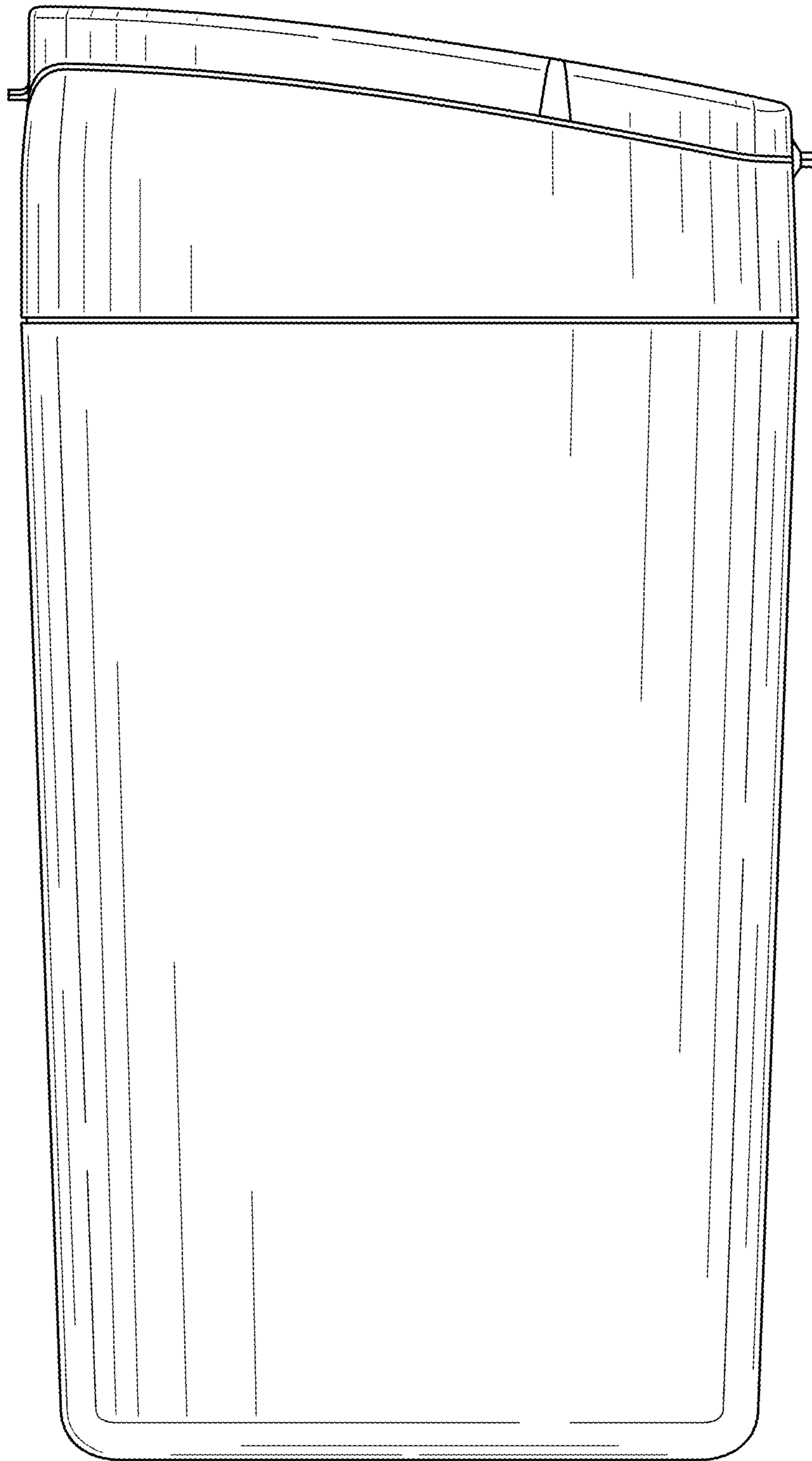


FIG. 3

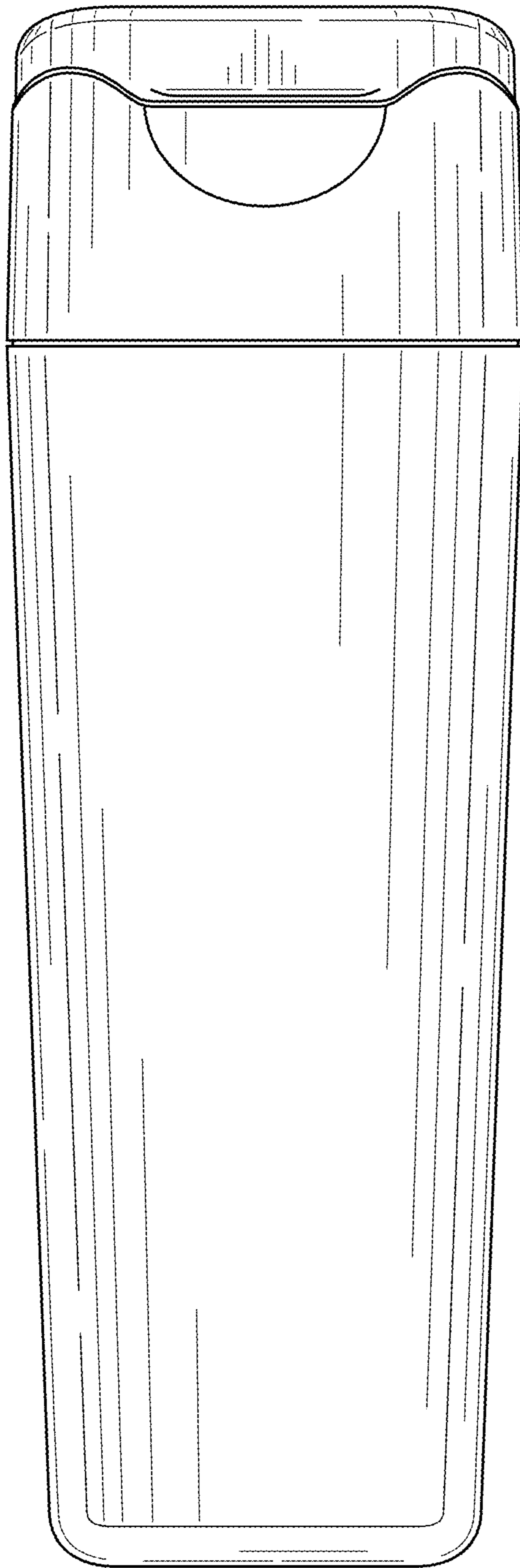


FIG. 4

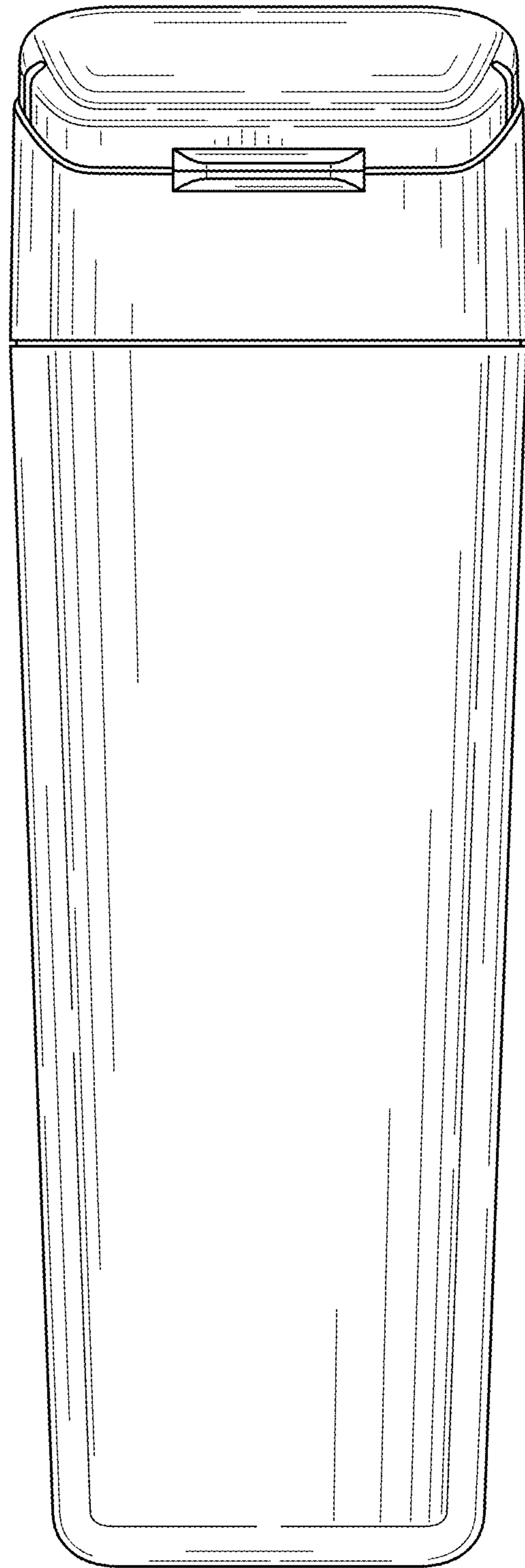


FIG. 5

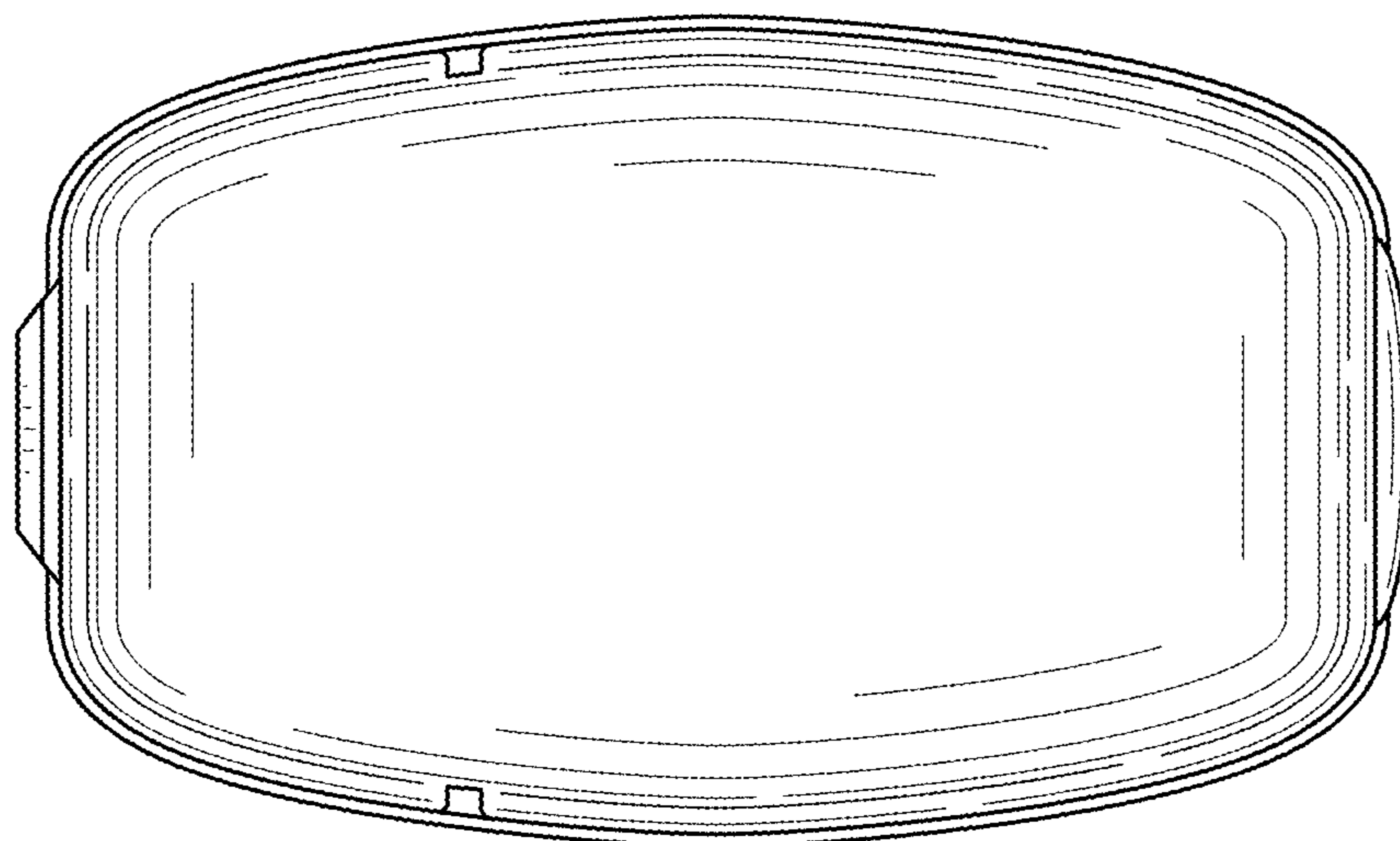


FIG. 6

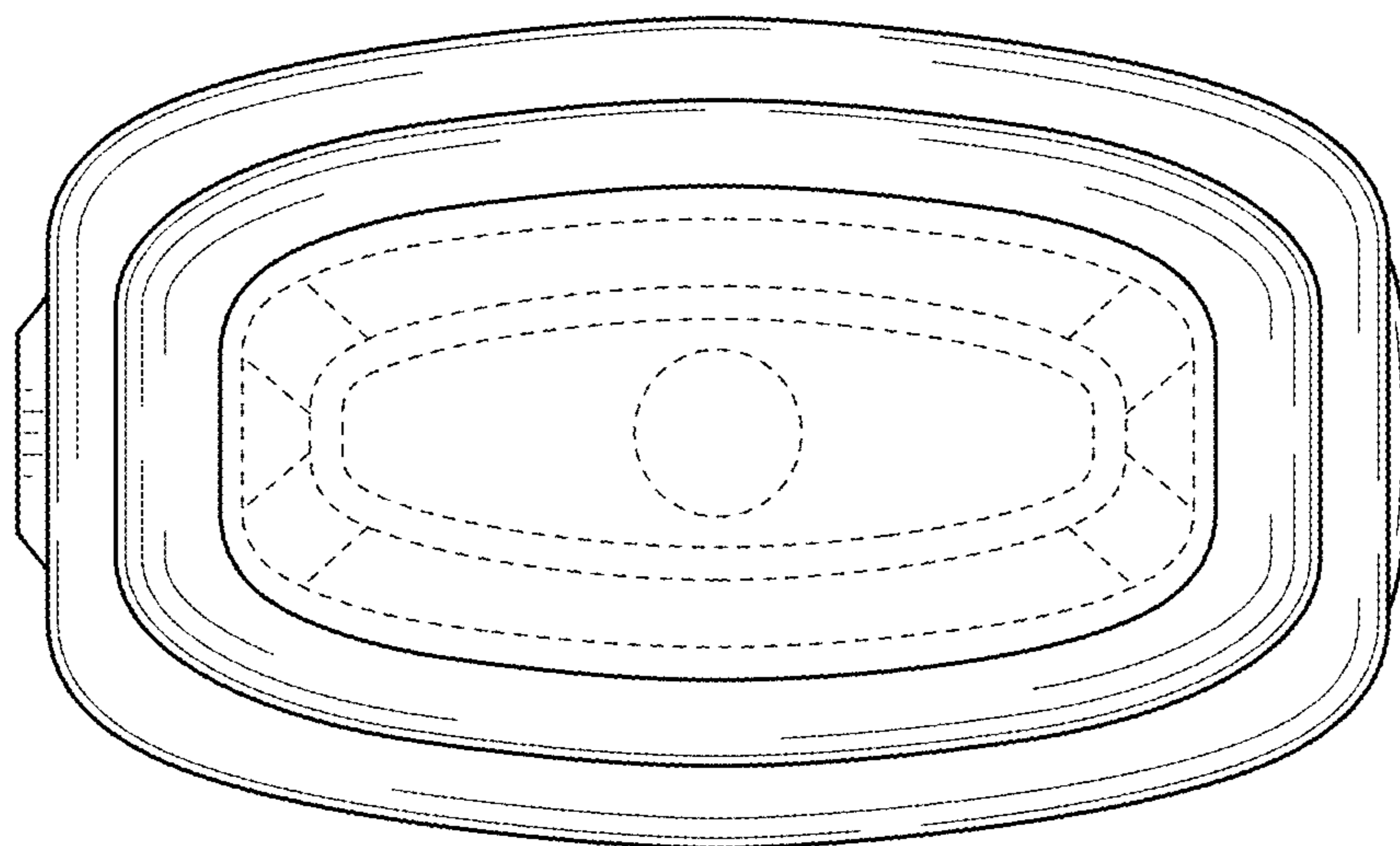


FIG. 7

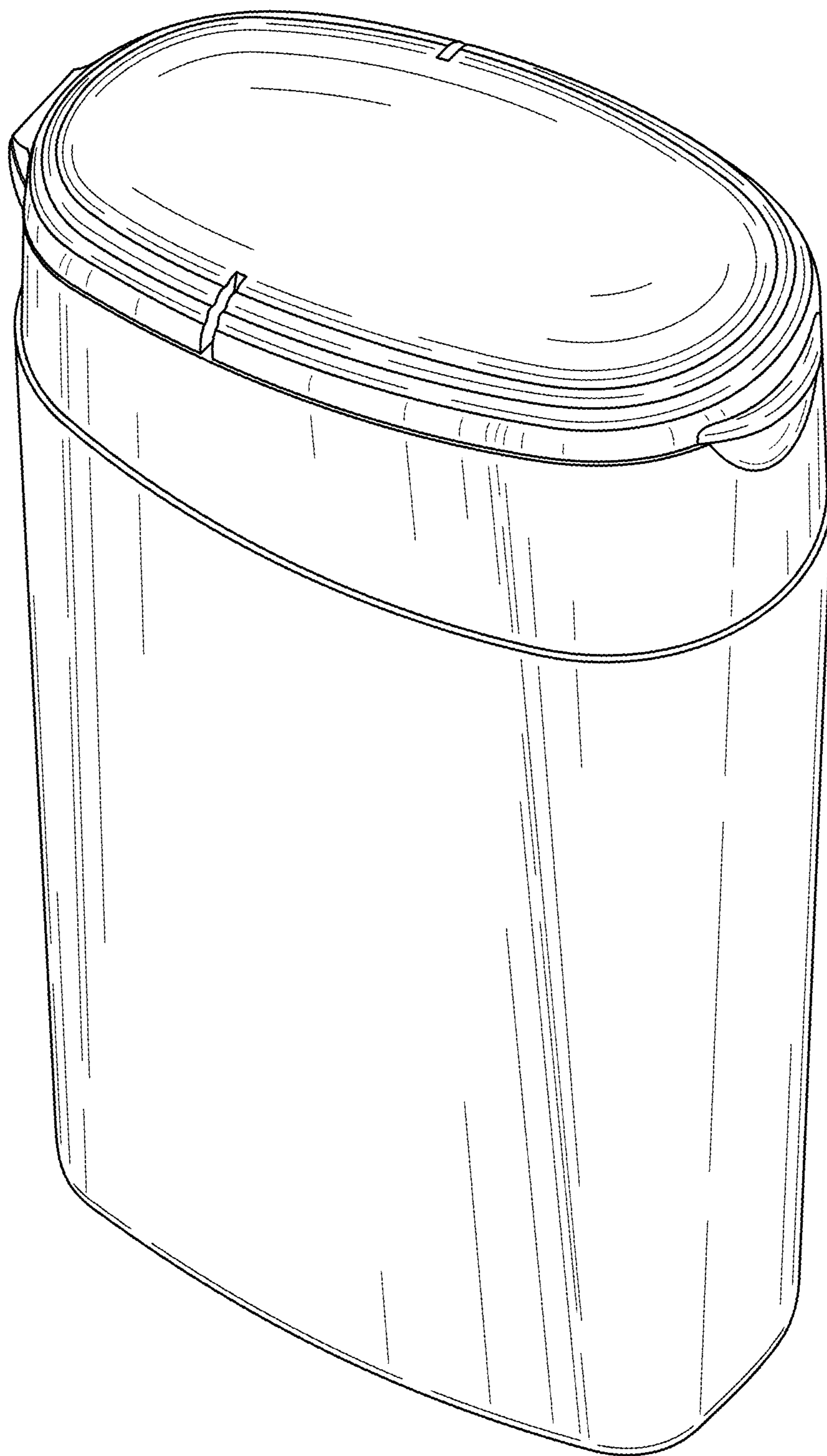


FIG. 8

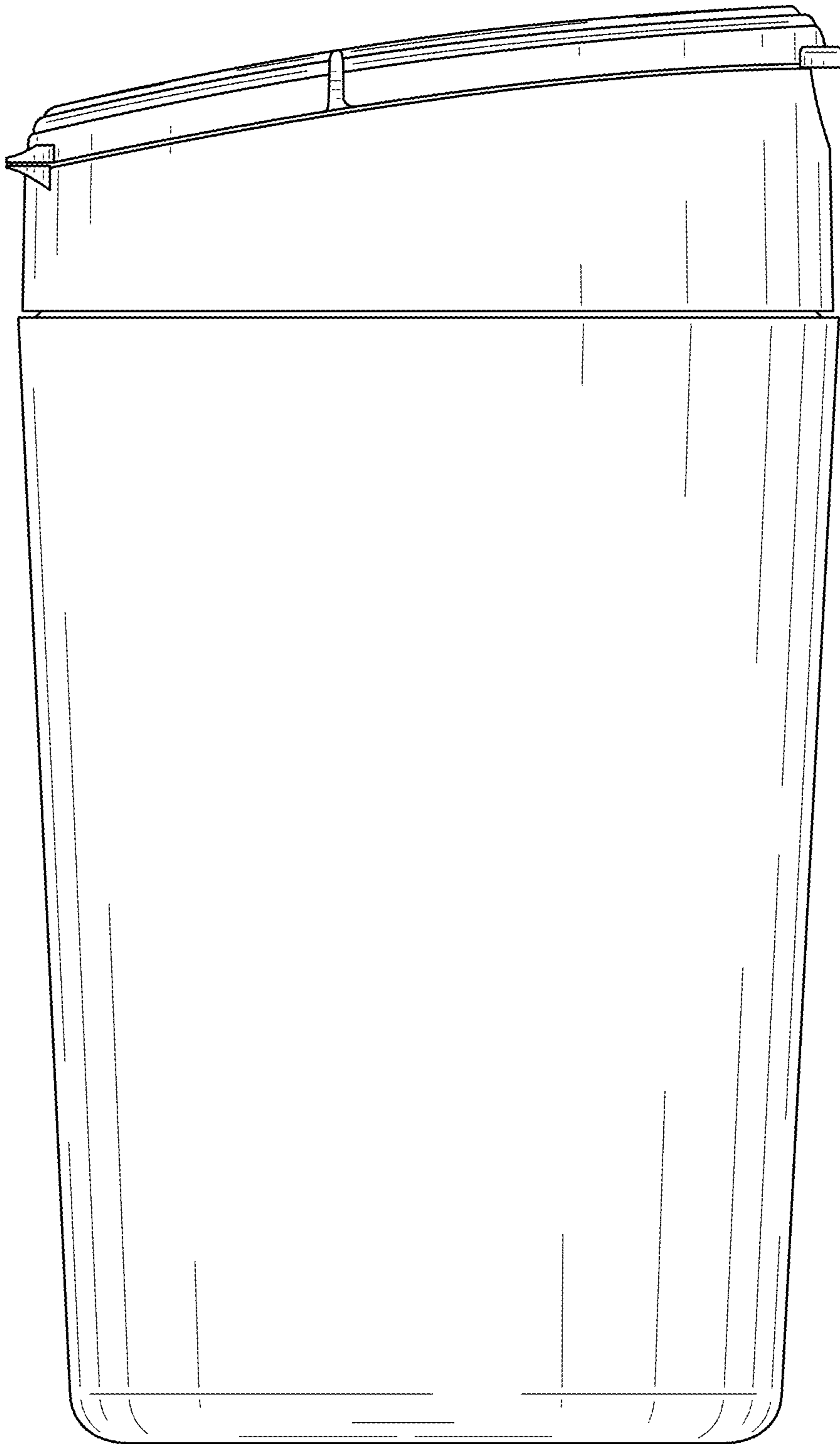


FIG. 9

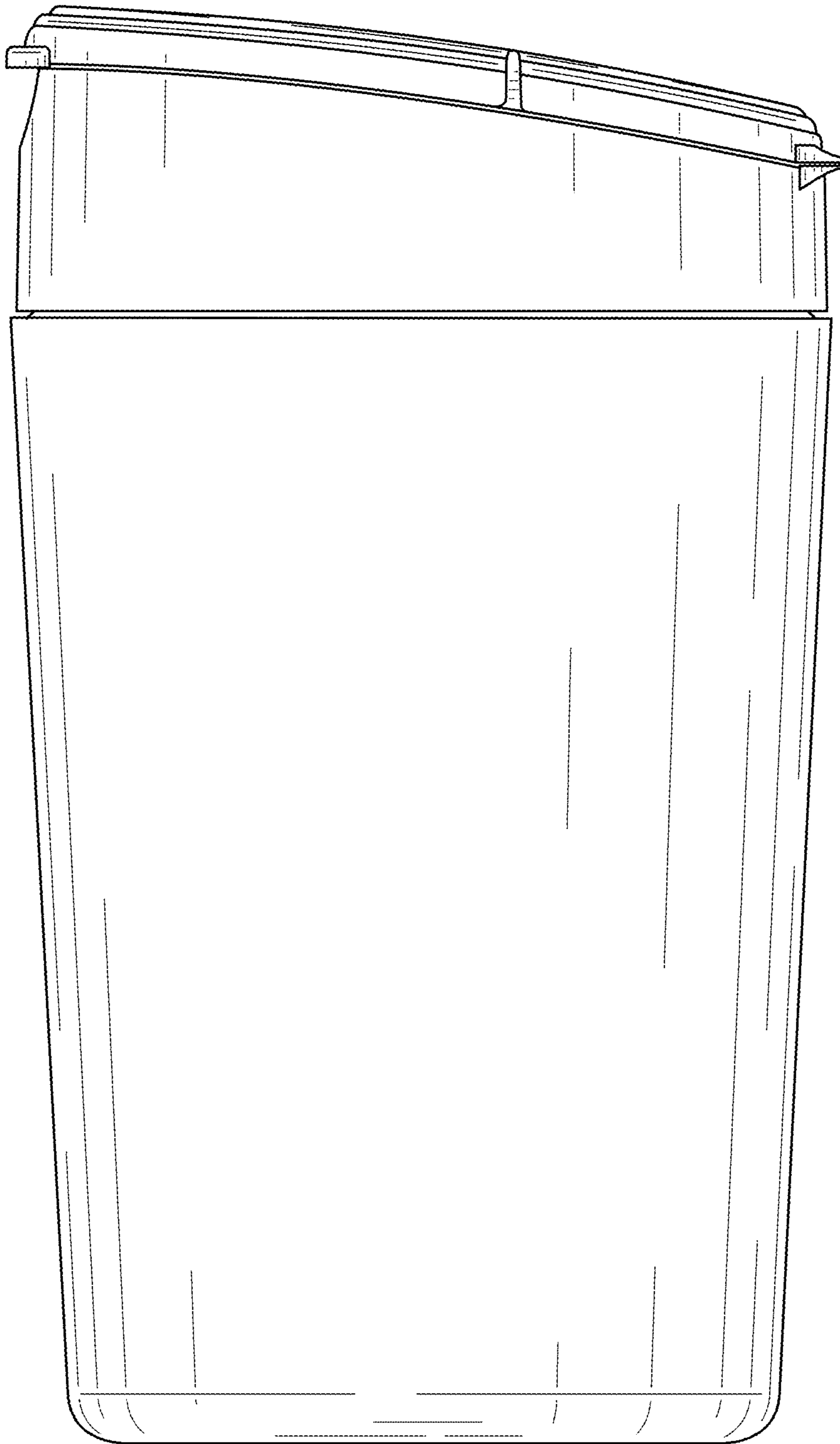


FIG. 10

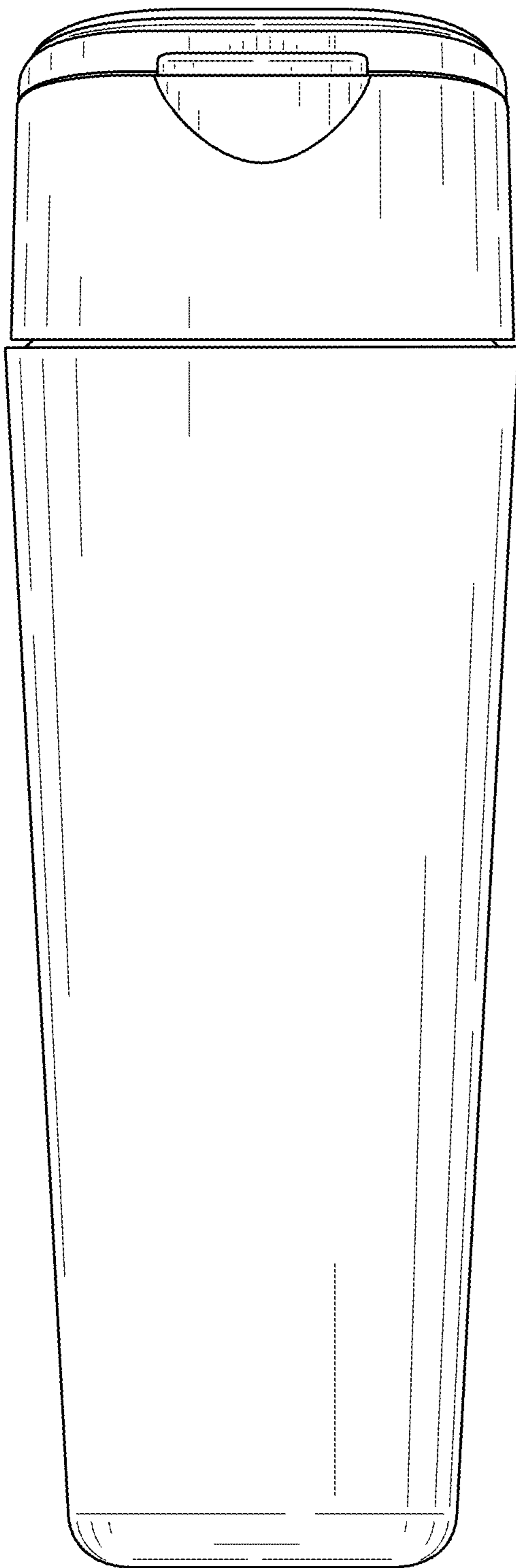


FIG. 11

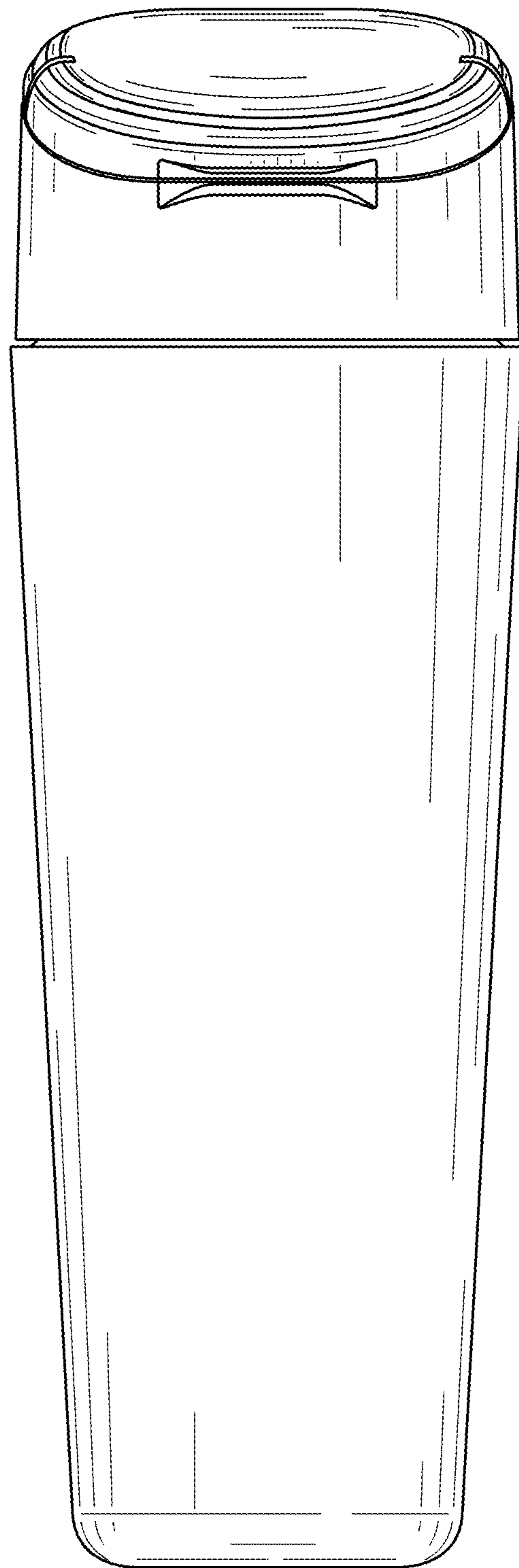


FIG. 12

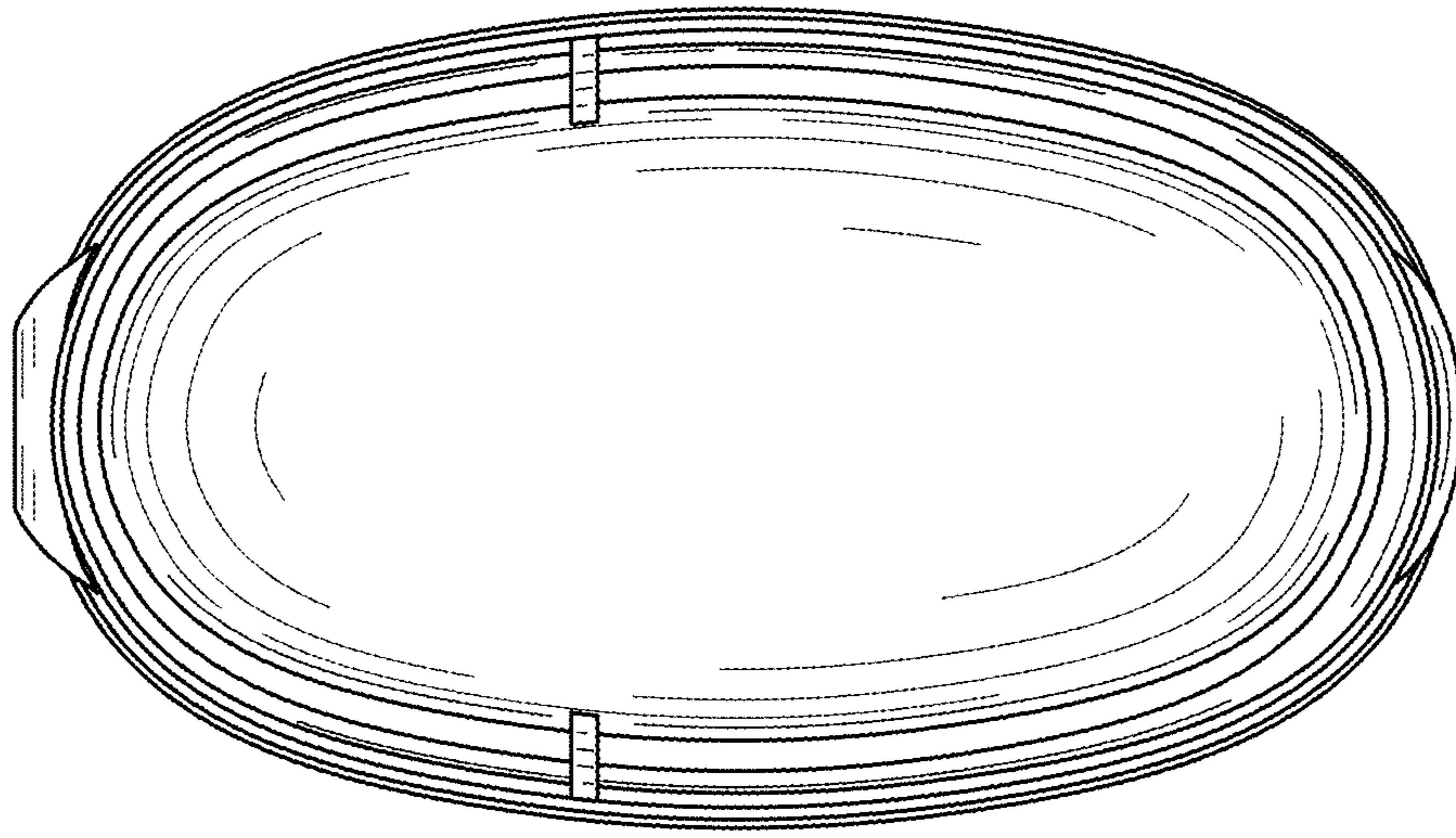


FIG. 13

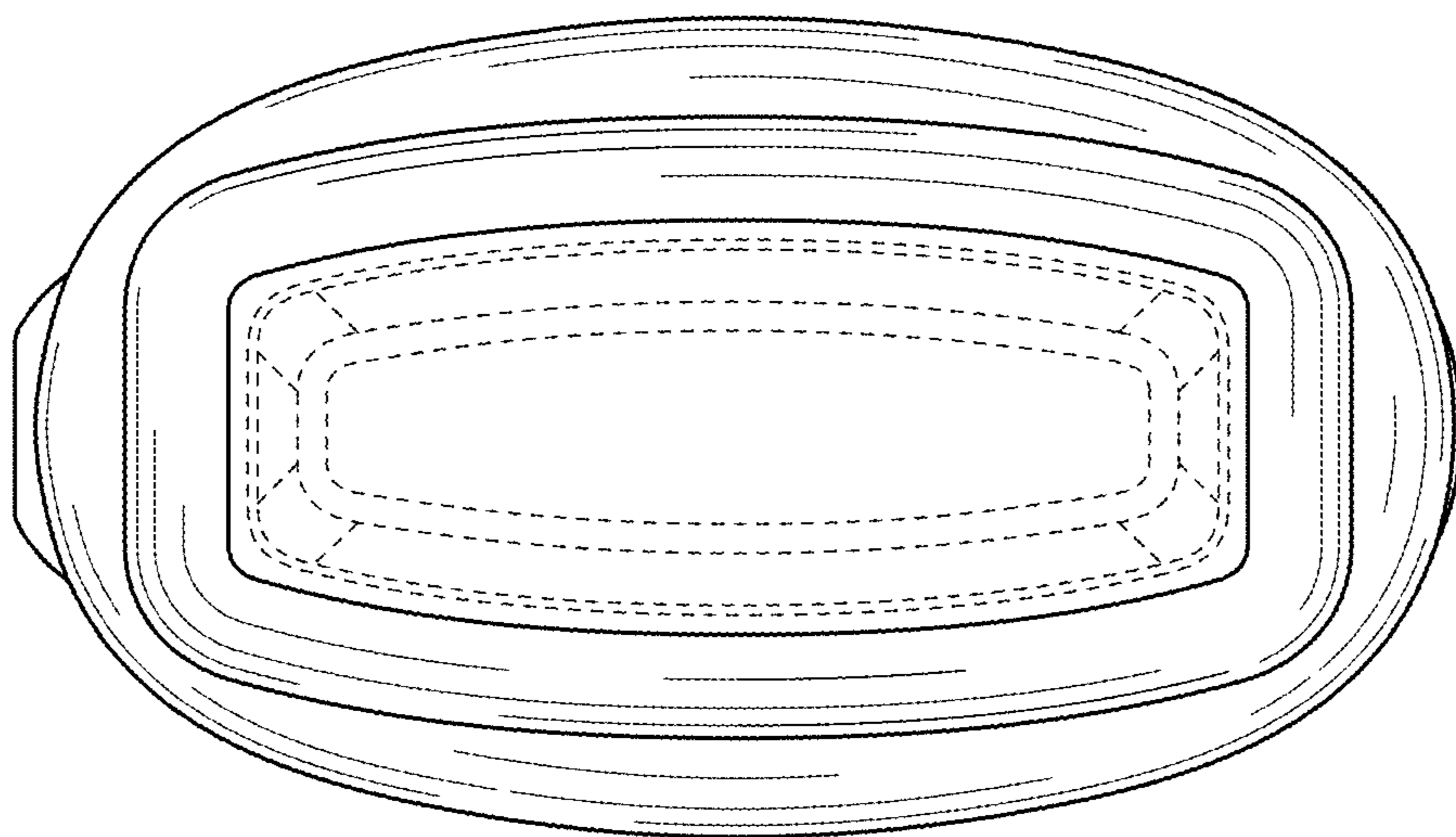


FIG. 14