



US00D870551S

(12) **United States Design Patent** (10) **Patent No.:** **US D870,551 S**
Klesmith (45) **Date of Patent:** **** Dec. 24, 2019**

(54) **CONTAINER WITH CORNER WINDOW**
(71) Applicant: **RPE, Inc.**, Bancroft, WI (US)
(72) Inventor: **Brian M. Klesmith**, Rosholt, WI (US)
(73) Assignee: **RPE, Inc.**, Bancroft, WI (US)
(**) Term: **15 Years**
(21) Appl. No.: **29/619,109**
(22) Filed: **Sep. 27, 2017**
(51) **LOC (12) Cl.** **09-03**
(52) **U.S. Cl.**
USPC **D9/418**
(58) **Field of Classification Search**
USPC D9/414-418, 721, 499; D27/183, 186;
D7/538
CPC B65D 5/0007; B65D 5/55016
See application file for complete search history.

D734,145 S * 7/2015 Fath D9/418
D743,248 S * 11/2015 Fath D9/418
D746,699 S * 1/2016 Fath D9/721
D762,465 S * 8/2016 Popper D9/415
D774,897 S 12/2016 Mayer et al.
D786,662 S * 5/2017 Gutierrez Villanueva D9/418
D795,696 S * 8/2017 Pitera D9/499
D797,550 S * 9/2017 Fath D9/418
D820,688 S * 6/2018 Fath D9/721
D835,982 S * 12/2018 Mayer D9/418
D846,982 S * 4/2019 Horne D9/418
D852,032 S * 6/2019 Horne D9/415
D853,022 S * 7/2019 Srour D27/183
D854,925 S * 7/2019 Fath D9/418
D855,452 S * 8/2019 Palacios D9/418
D856,131 S * 8/2019 Hon D9/418
2005/0147721 A1 7/2005 Melendez Juarez et al.
2007/0241102 A1 10/2007 Carmichael et al.
2008/0105688 A1 5/2008 Hopkins

* cited by examiner

Primary Examiner — Rhea Shields
(74) *Attorney, Agent, or Firm* — Boyle Fredrickson, S.C.

(56) **References Cited**

U.S. PATENT DOCUMENTS

2,464,951 A * 3/1949 Stengren B65D 5/5007
206/765
2,611,529 A * 9/1952 Currivan B65D 5/5016
206/591
D191,145 S * 8/1961 Cesareo D9/418
D314,914 S * 2/1991 Callinan D27/186
D371,959 S * 7/1996 Hupp D9/418
D406,754 S * 3/1999 Tanabe D9/415
D466,804 S 12/2002 Solland
6,818,873 B2 11/2004 Savage et al.
D678,779 S * 3/2013 Lee D9/418
D679,950 S * 4/2013 Cooper D7/538
D693,215 S 11/2013 Sill
D695,104 S 12/2013 Sill
D699,103 S * 2/2014 Rathbone D9/418
D702,546 S * 4/2014 McAdam D9/418
D710,713 S * 8/2014 Fath D9/721

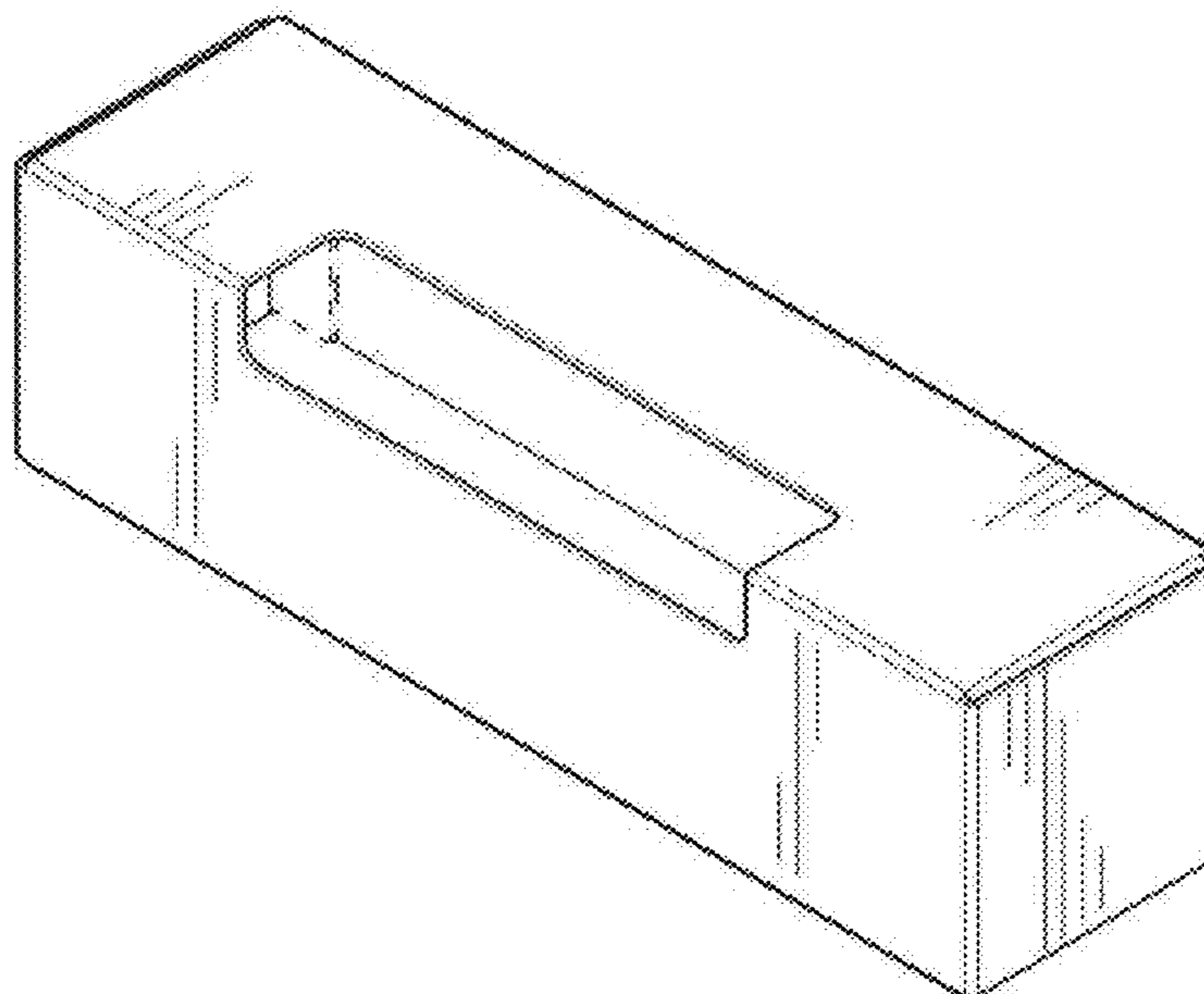
(57) **CLAIM**

The ornamental design for a container with a corner window, as shown and described.

DESCRIPTION

FIG. 1 is a front perspective view of a container with a corner window, showing my new design; FIG. 2 is a front elevation view thereof; FIG. 3 is a rear elevation view thereof; FIG. 4 is a top plan view thereof; FIG. 5 is a bottom plan view thereof; FIG. 6 is a first end elevation view thereof; and, FIG. 7 is a second end elevation view thereof. In FIG. 1, the broken lines are for the purpose of illustrating environment only and form no part of the claimed design.

1 Claim, 7 Drawing Sheets



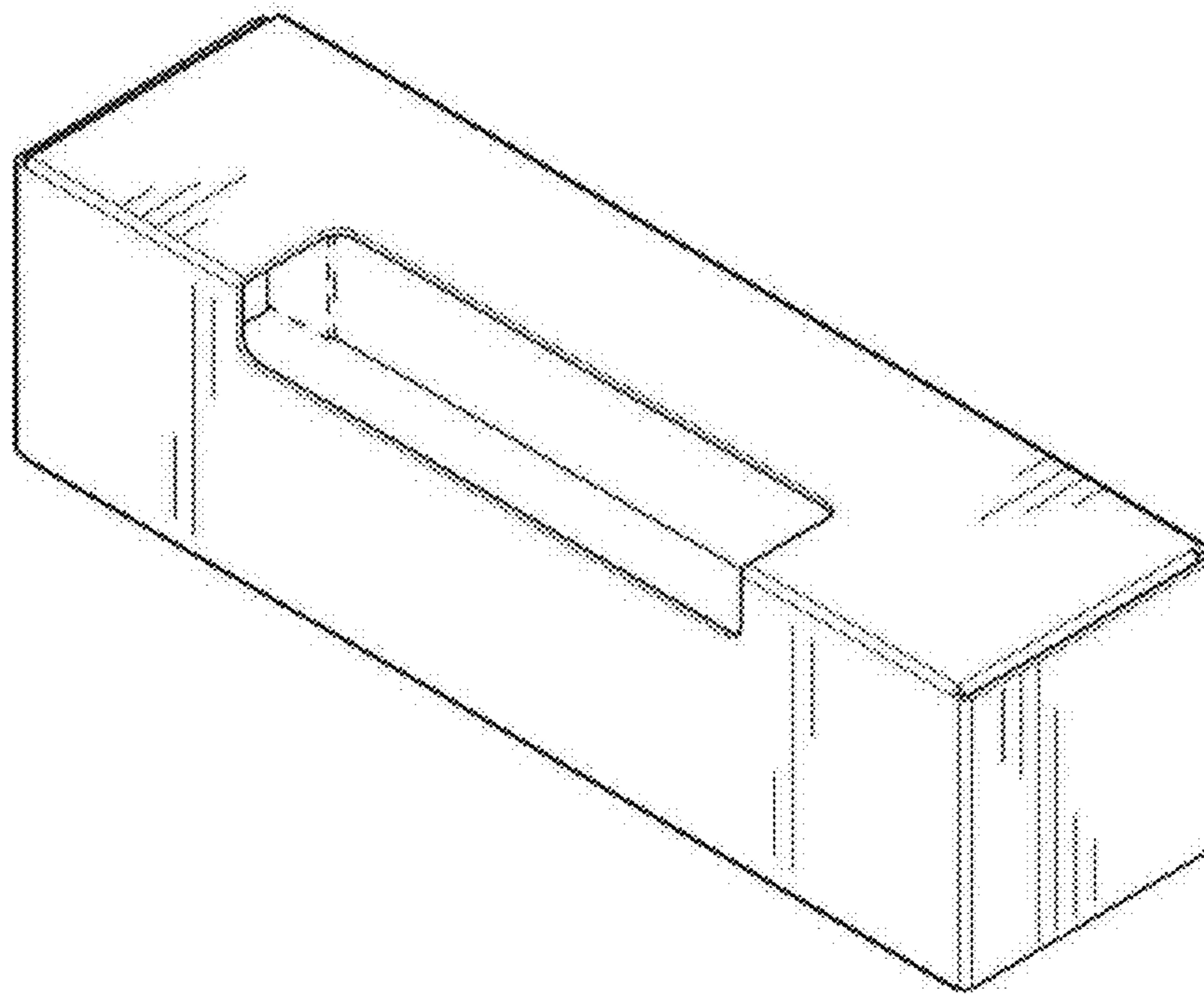


FIG. 1

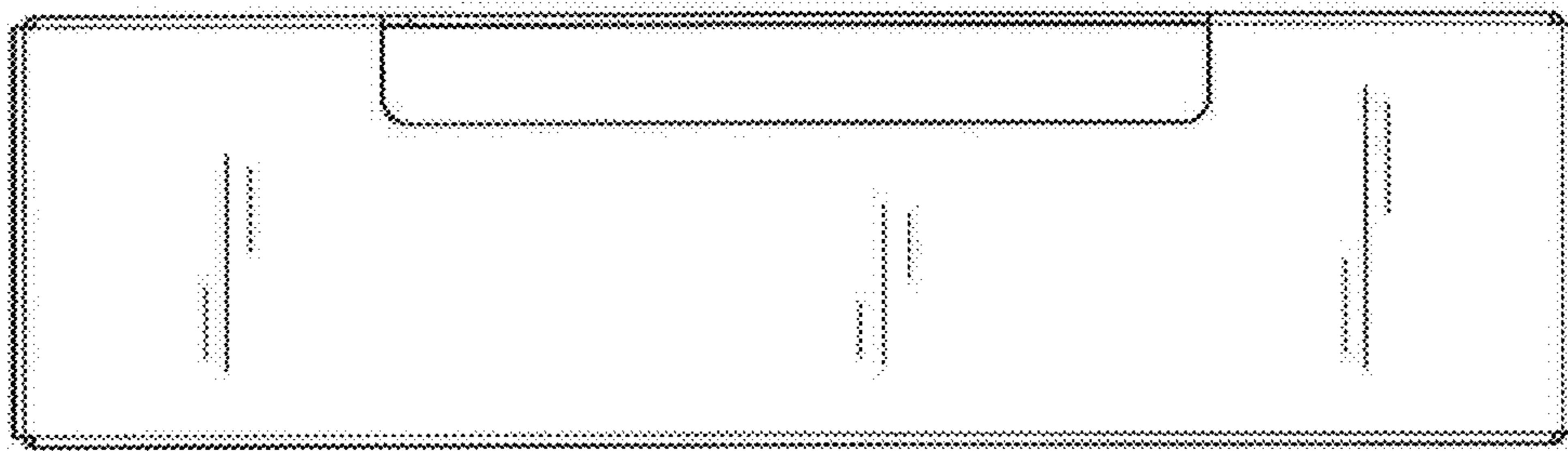


FIG. 2

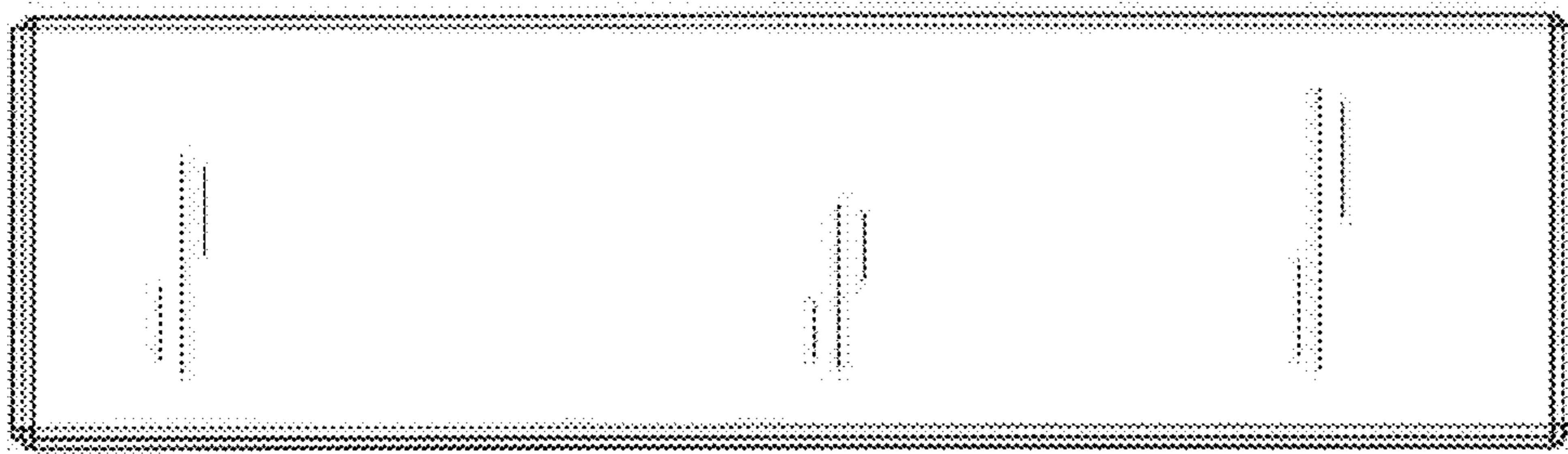


FIG. 3

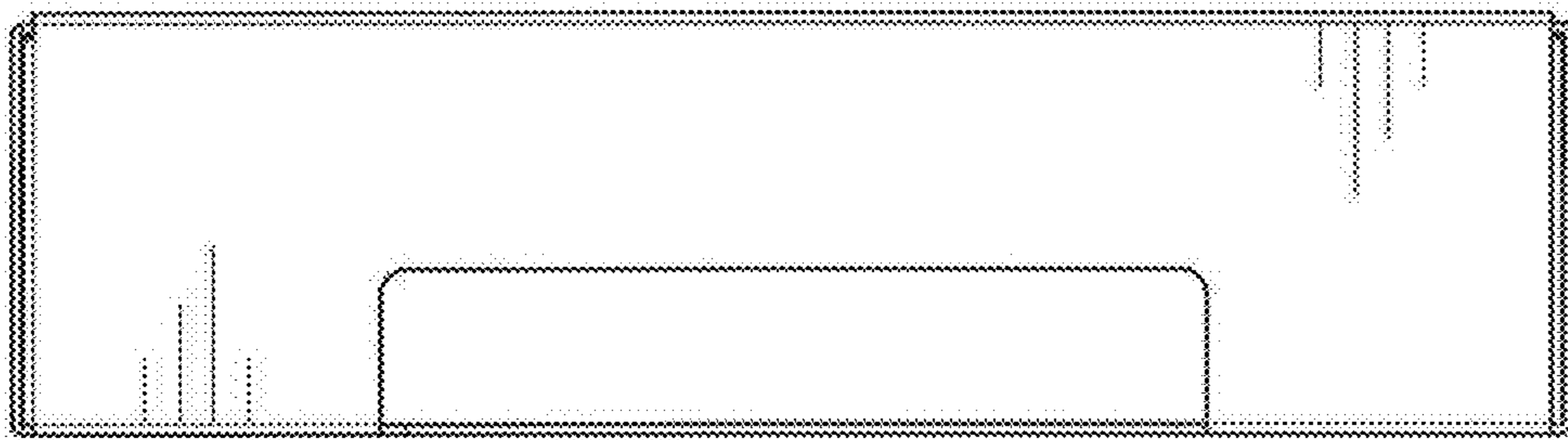


FIG. 4

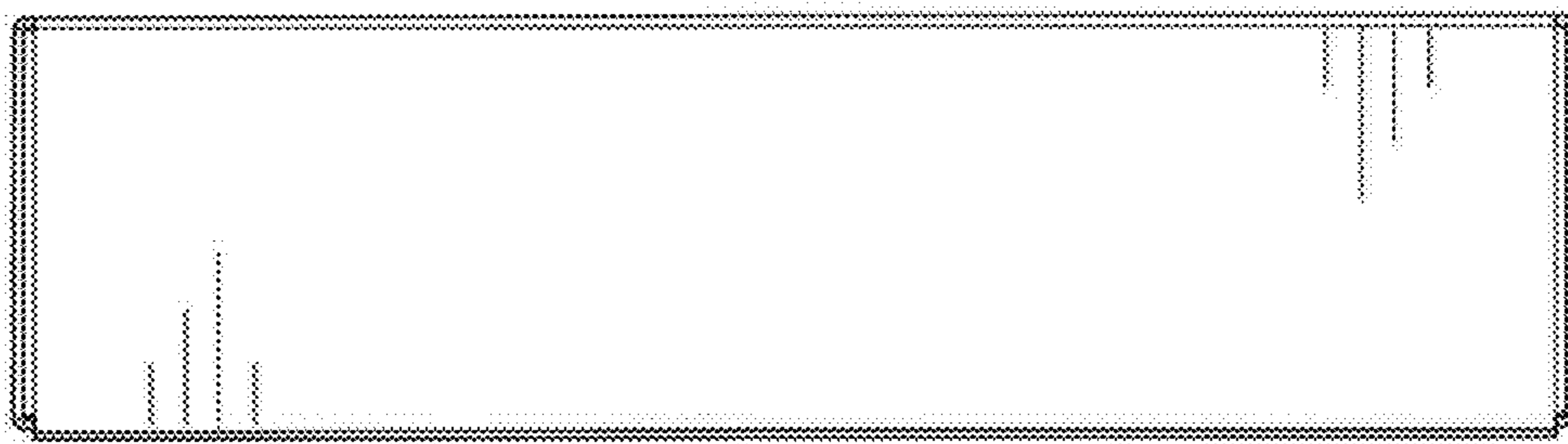


FIG. 5

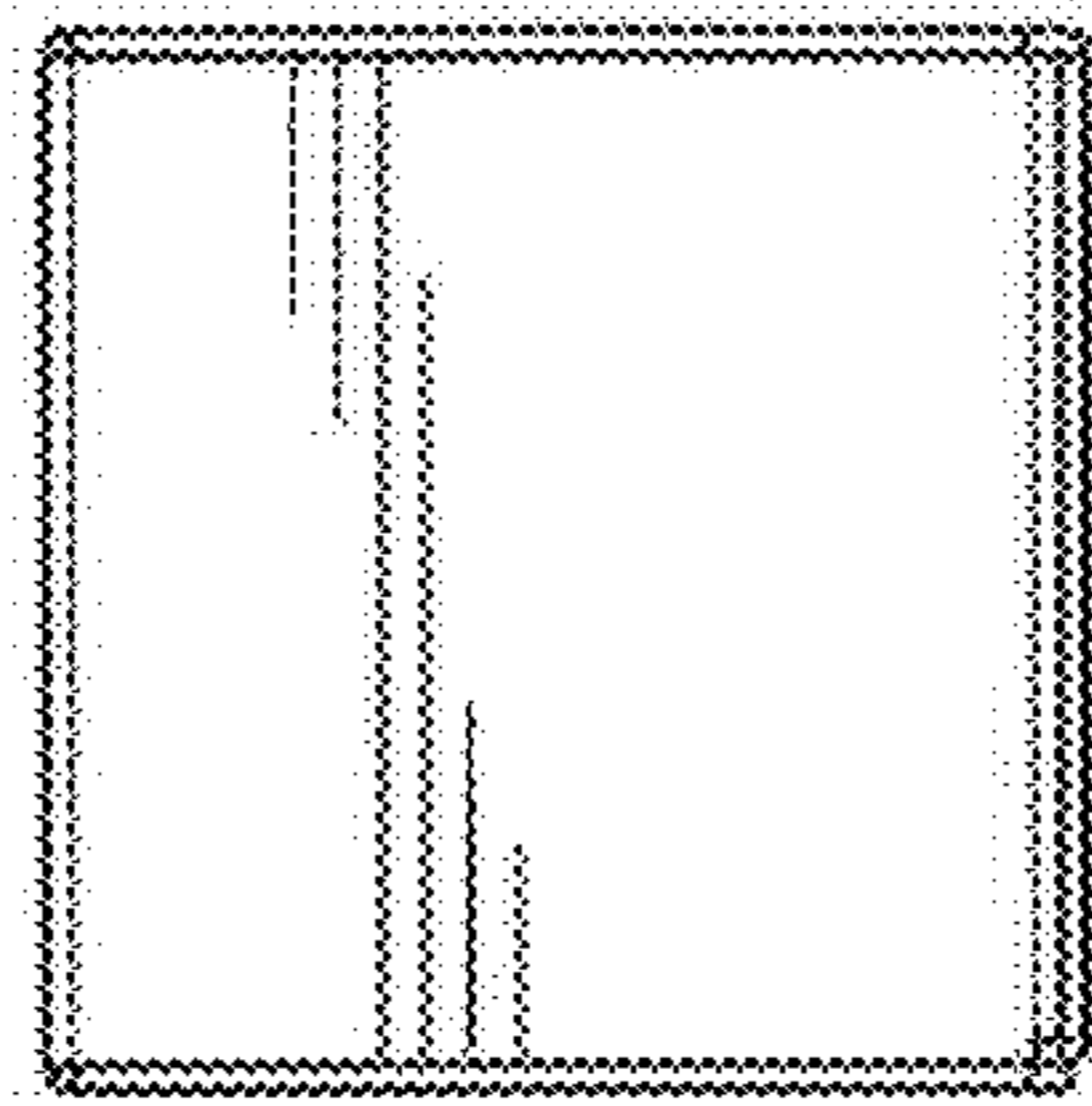


FIG. 6

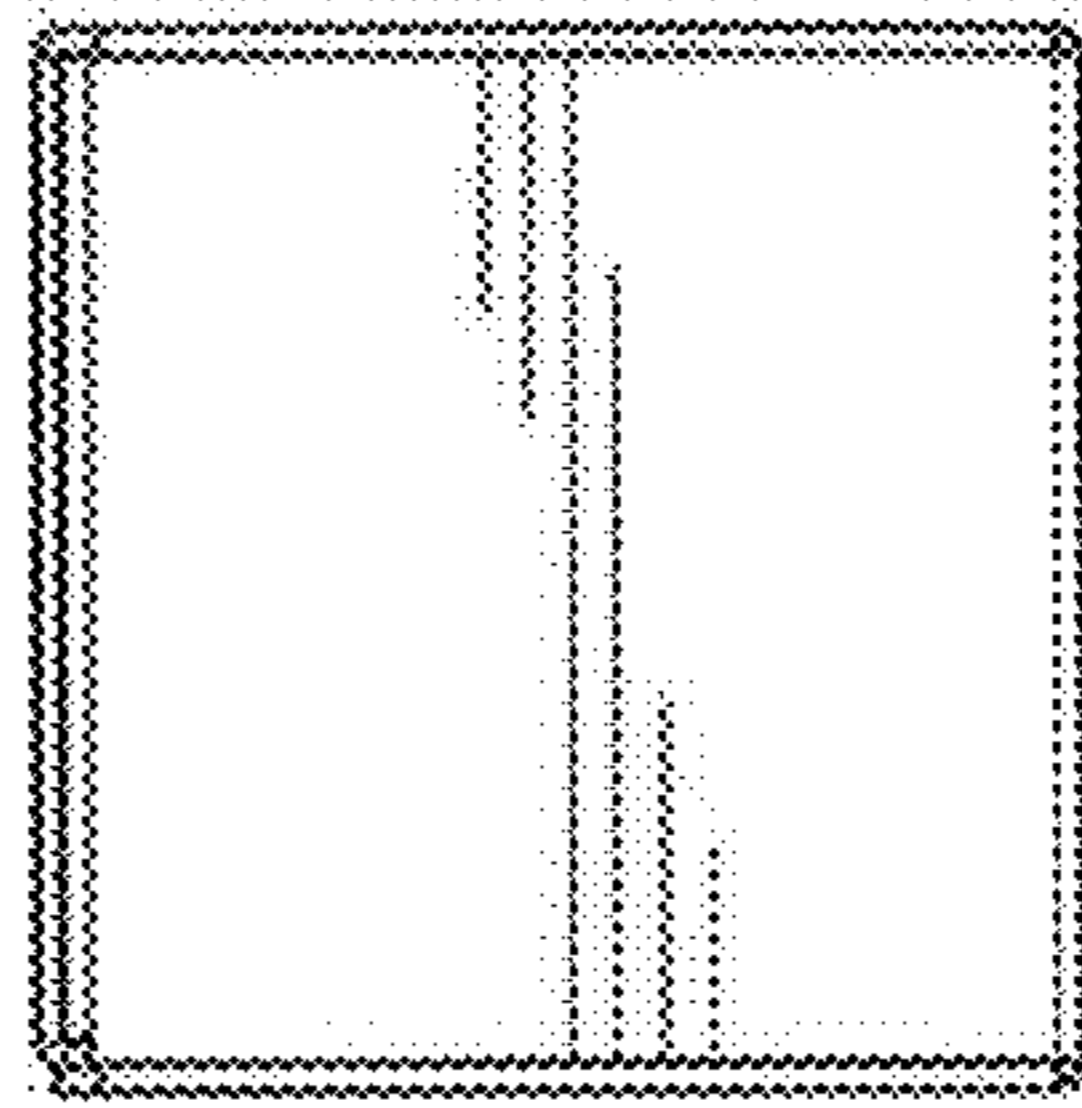


FIG. 7