



US00D870550S

(12) **United States Design Patent** (10) **Patent No.:** **US D870,550 S**  
**Klein et al.** (45) **Date of Patent:** **\*\* Dec. 24, 2019**

(54) **PACKAGE FOR TOOTHBRUSH**  
(71) Applicant: **The Procter & Gamble Company**,  
Cincinnati, OH (US)  
(72) Inventors: **Heinrich Michael Klein**, Kronberg  
(DE); **Martin Jay Marotti**, Carmel, IN  
(US)  
(73) Assignee: **THE PROCTER & GAMBLE**  
**COMPANY**, Cincinnati, OH (US)  
(\*\*) Term: **15 Years**  
(21) Appl. No.: **29/695,093**  
(22) Filed: **Jun. 14, 2019**

D475,624 S \* 6/2003 Cooper ..... D11/90  
D504,811 S 5/2005 Haingaertner  
D505,619 S 5/2005 Metaxatos  
6,957,909 B1 10/2005 Dingeldein  
D511,105 S 11/2005 Dominesey  
D511,452 S 11/2005 Dibnah  
6,993,803 B2 \* 2/2006 Chan ..... A61C 17/22  
15/22.1  
7,094,981 B2 \* 8/2006 Sorrentino ..... A61C 17/221  
15/22.1  
D623,935 S 9/2010 Kim  
D631,345 S \* 1/2011 Gustafson ..... D9/434  
D634,626 S \* 3/2011 Gustafson ..... D9/415  
8,261,909 B2 9/2012 Sorrentino  
D684,045 S 6/2013 Frees  
D700,508 S 3/2014 Trontel  
D715,139 S \* 10/2014 Marcinkowski ..... D9/424  
8,919,558 B2 \* 12/2014 Bloch ..... B65D 75/366  
206/361  
D781,140 S 3/2017 Hbner  
D781,697 S 3/2017 Hübner  
D782,296 S 3/2017 Hbner  
D826,706 S 8/2018 Moskovich

**Related U.S. Application Data**

(62) Division of application No. 29/587,495, filed on Dec.  
13, 2016, now Pat. No. Des. 855,450.  
(51) **LOC (12) Cl.** ..... **09-03**  
(52) **U.S. Cl.**  
USPC ..... **D9/415**; D9/434; D9/424  
(58) **Field of Classification Search**  
USPC ..... D9/414, 415, 420, 422, 424, 425, 428,  
D9/429, 433, 434, 456  
CPC ..... B65D 75/36; B65D 75/367  
See application file for complete search history.

**References Cited**

**U.S. PATENT DOCUMENTS**

D250,092 S 10/1978 Morrison  
D378,570 S 3/1997 MacEachern  
D380,155 S \* 6/1997 Poisson ..... D9/434  
D402,687 S \* 12/1998 Sabonis ..... D18/56  
6,189,693 B1 2/2001 Blaustein  
6,311,837 B1 11/2001 Blaustein  
D451,382 S 12/2001 Adkins

(Continued)

*Primary Examiner* — Lauren R Calve  
(74) *Attorney, Agent, or Firm* — Vladimir Vitenberg

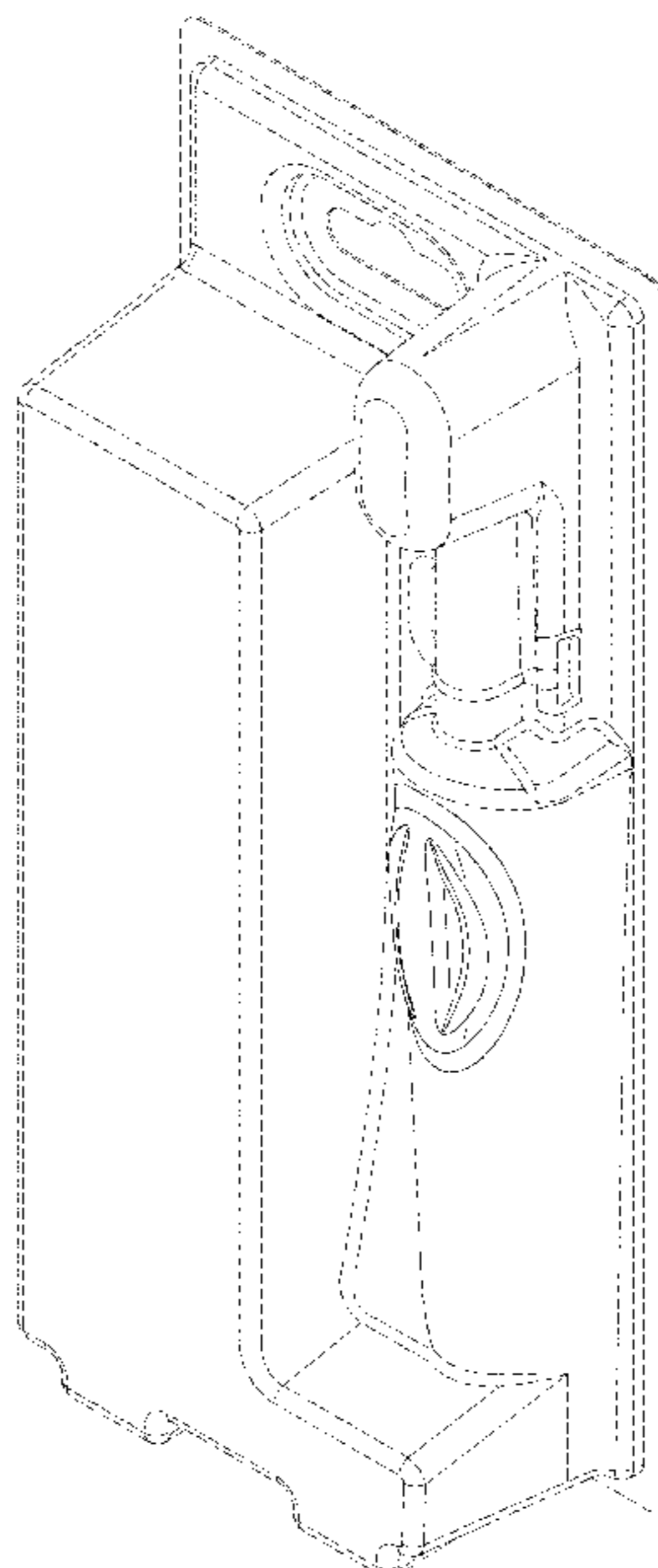
(57) **CLAIM**

The ornamental design for a package for toothbrush, as shown and described.

**DESCRIPTION**

FIG. 1 is a perspective view of a package for toothbrush;  
FIG. 2 is a front view thereof;  
FIG. 3 is a rear side view thereof;  
FIG. 4 is a right view thereof;  
FIG. 5 is a left side view thereof;  
FIG. 6 is a top plan view thereof; and,  
FIG. 7 is a bottom view thereof.  
The broken lines do not form any part of the claimed design.

**1 Claim, 5 Drawing Sheets**



(56)

**References Cited**

U.S. PATENT DOCUMENTS

D831,506 S *	10/2018	Nicholson .....	D9/761
D843,226 S *	3/2019	Natsios .....	D9/748
2001/0022277 A1	9/2001	Blaustein	
2003/0164320 A1	9/2003	Magnusson	
2003/0205492 A1	11/2003	Ferber	
2005/0092644 A1	5/2005	Cafferata	
2009/0230018 A1	9/2009	Brennan	
2011/0147241 A1	6/2011	Marcinkowski	
2015/0282603 A1	10/2015	Jimenez	
2017/0367457 A1	12/2017	Greene	
2018/0085515 A1	3/2018	Mide	

\* cited by examiner

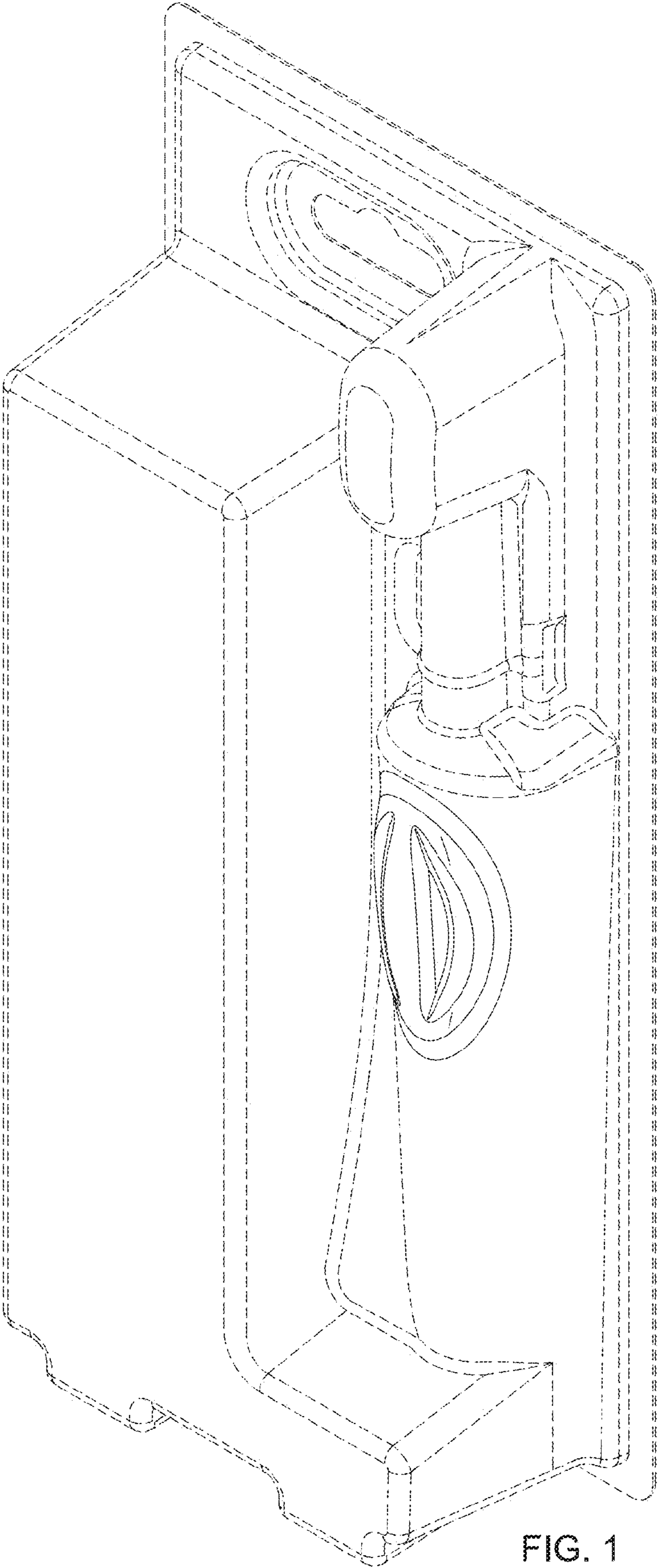


FIG. 1

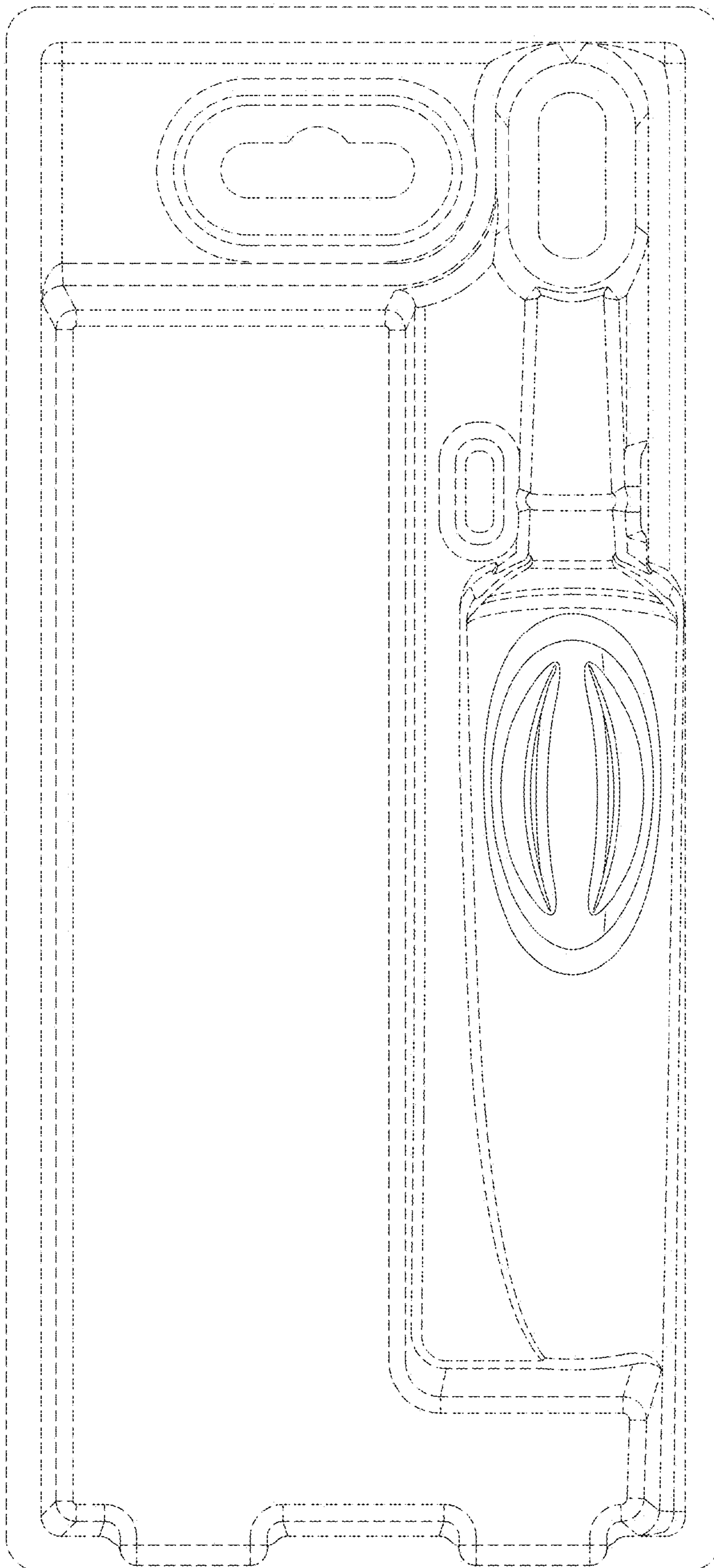


FIG. 2

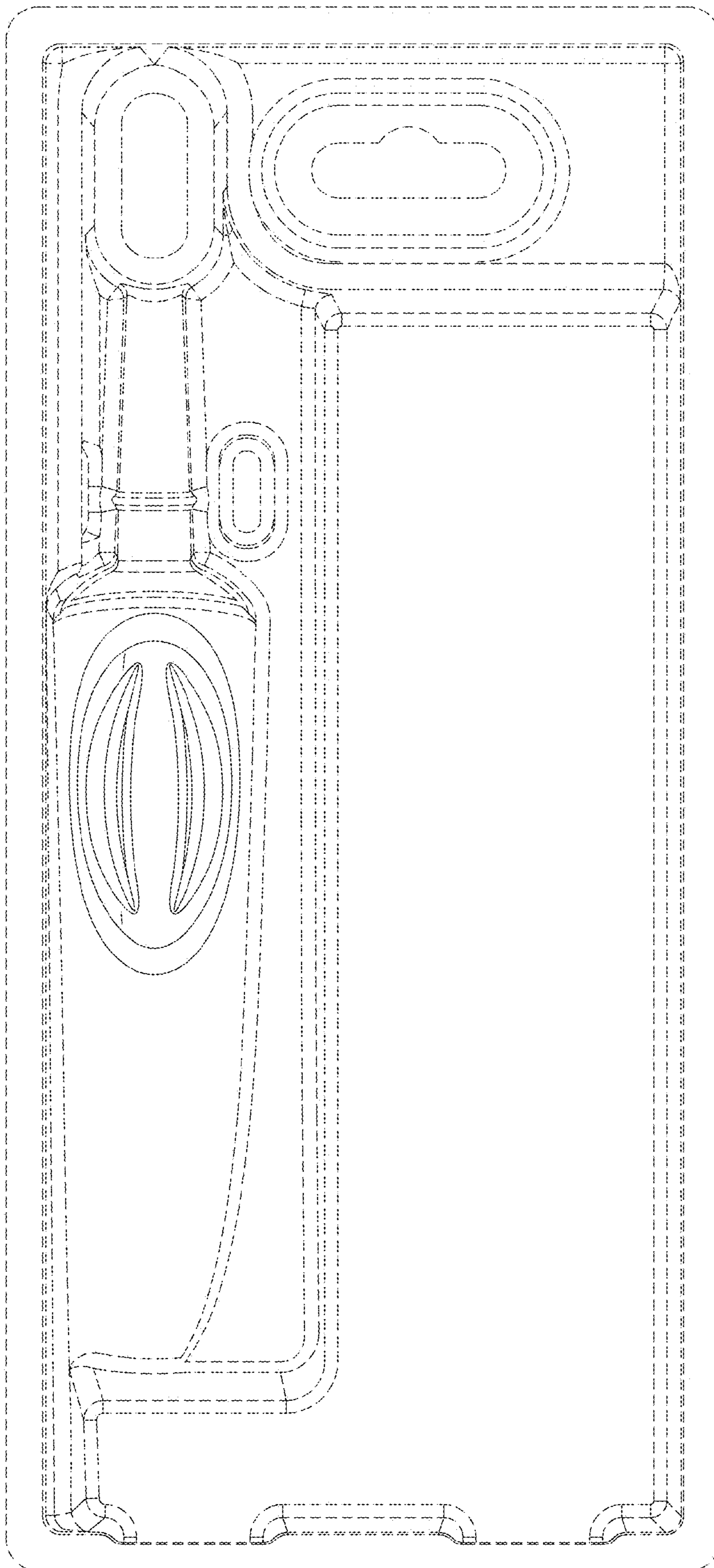


FIG. 3

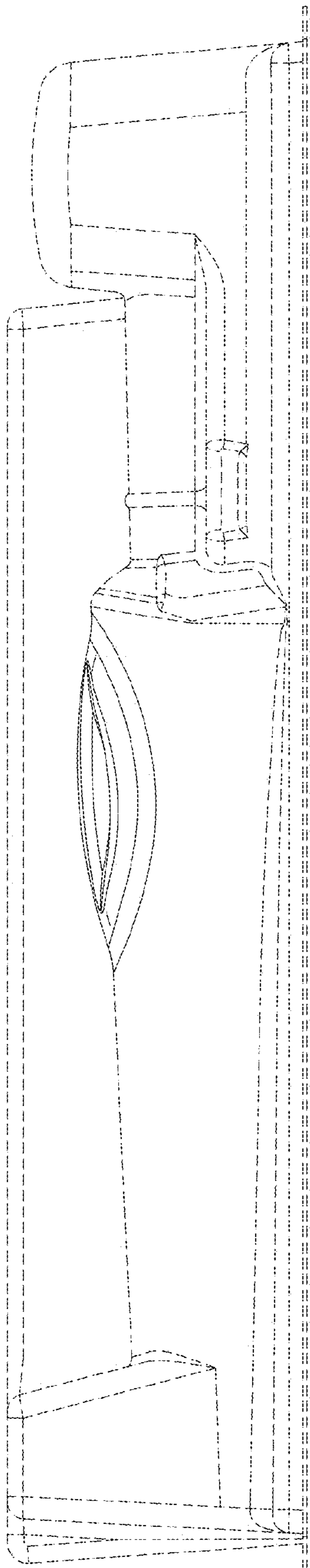


FIG. 4

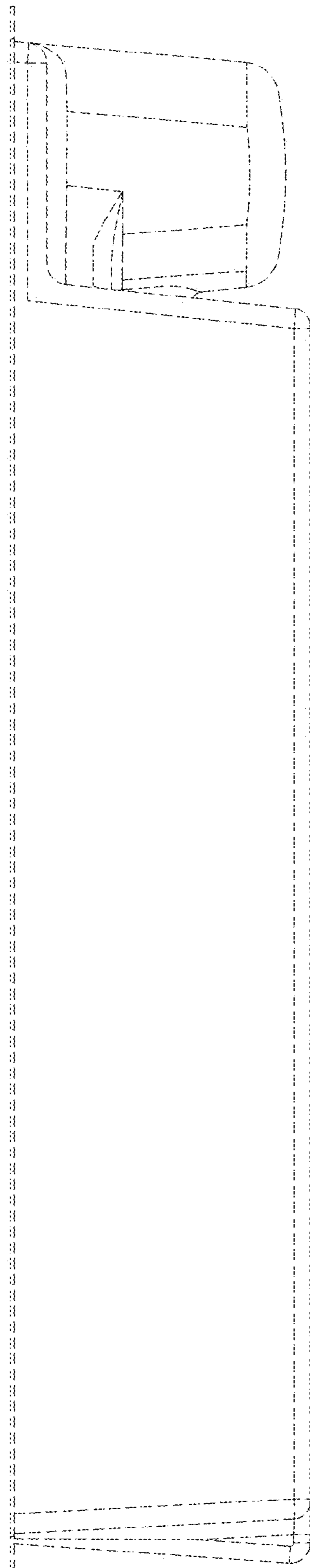


FIG. 5

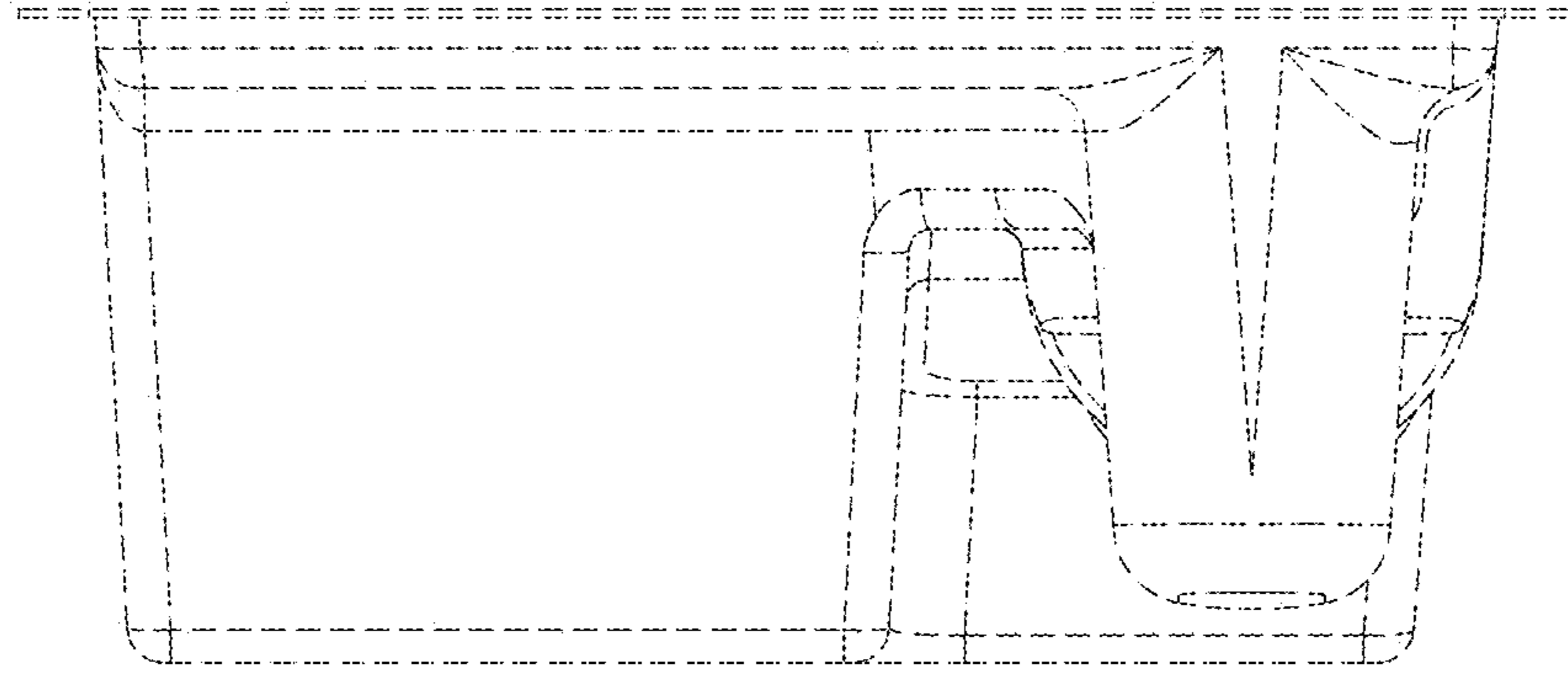


FIG. 6

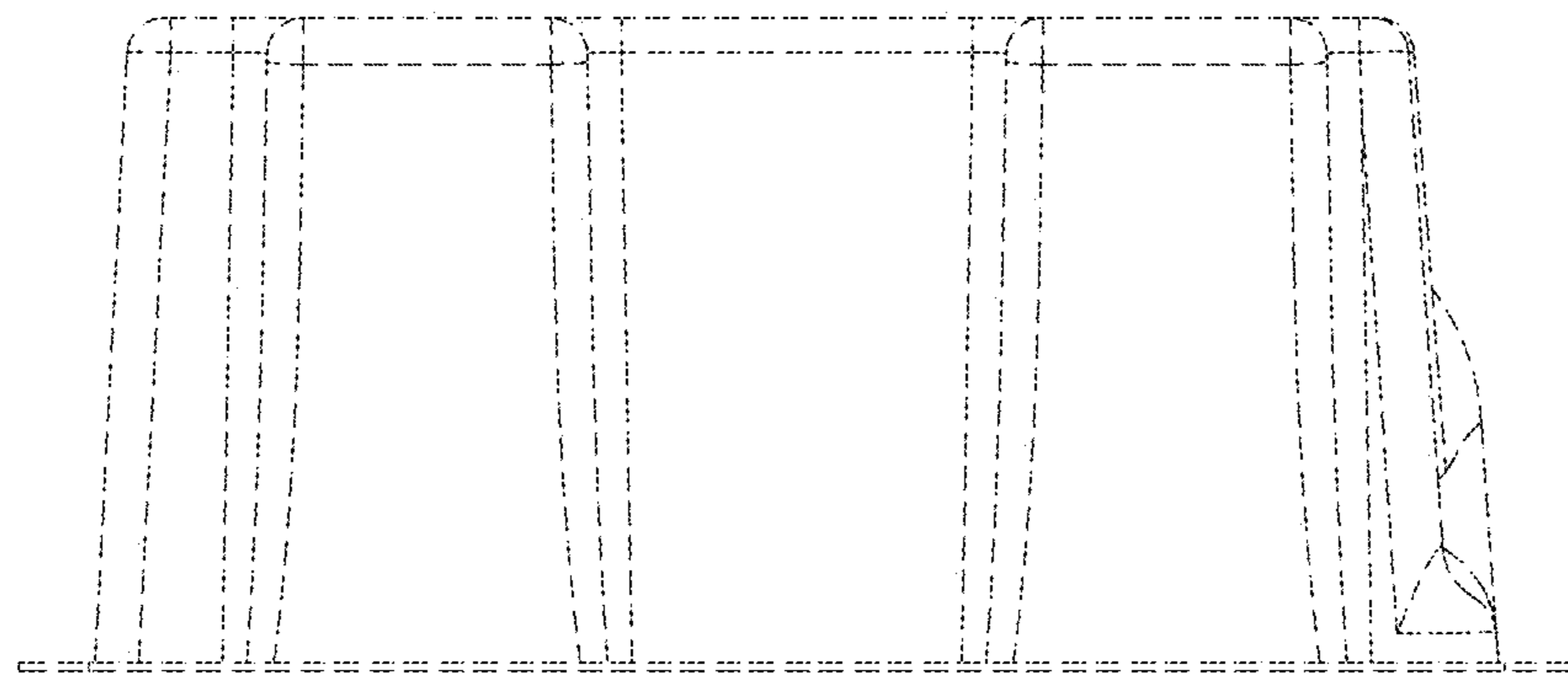


FIG. 7