



US00D870549S

(12) **United States Design Patent** (10) **Patent No.:** **US D870,549 S**
Logue et al. (45) **Date of Patent:** **** Dec. 24, 2019**

(54) **BOTTLE**
(71) Applicants: **Russell Michael Logue**, Mason, OH (US); **Stephen Thomas Overdeck**, Lebanon, OH (US); **Allan Matthew Smith**, Villa Hills, KY (US); **David Robert Zint**, Alexandria, KY (US); **Matthew Todd Hupp**, Cincinnati, OH (US)

3,400,846 A 9/1968 Kelly
3,434,635 A 3/1969 Mason, Jr.
4,412,633 A 11/1983 Guerrazzi et al.
D279,078 S * 6/1985 Franchi D9/528
D282,637 S 2/1986 Beaver et al.
4,804,119 A 2/1989 Goodall
4,838,464 A 6/1989 Briggs
D302,523 S * 8/1989 Suhajda D9/528
4,877,142 A 10/1989 Doering
4,981,239 A 1/1991 Cappel et al.
(Continued)

(72) Inventors: **Russell Michael Logue**, Mason, OH (US); **Stephen Thomas Overdeck**, Lebanon, OH (US); **Allan Matthew Smith**, Villa Hills, KY (US); **David Robert Zint**, Alexandria, KY (US); **Matthew Todd Hupp**, Cincinnati, OH (US)

FOREIGN PATENT DOCUMENTS

WO 2018084896 5/2018

(73) Assignee: **KOST USA, INC.**, Cincinnati, OH (US)

OTHER PUBLICATIONS

Photographs 1-5—of Super Tech High Mileage Automatic Transmission Fluid bottle, marketed prior to Dec. 17, 2018.
(Continued)

(**) Term: **15 Years**

Primary Examiner — Rhea Shields
(74) *Attorney, Agent, or Firm* — Donald E. Hasse; Hasse & Nesbitt LLC

(21) Appl. No.: **29/673,617**

(57) **CLAIM**

(22) Filed: **Dec. 17, 2018**

We claim the ornamental design for a bottle, as shown and described.

(51) **LOC (12) Cl.** **09-01**

(52) **U.S. Cl.**
USPC **D9/415**

DESCRIPTION

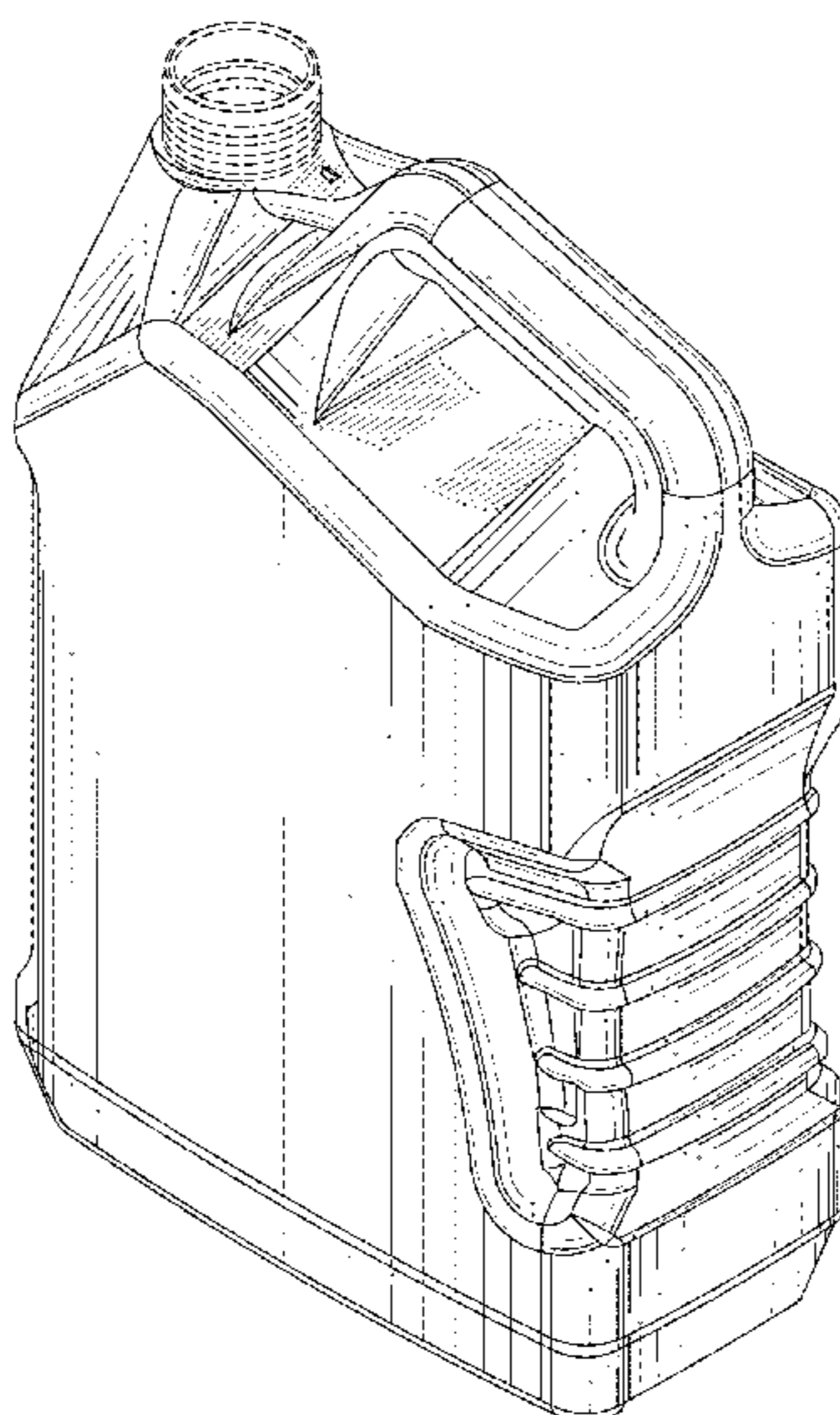
(58) **Field of Classification Search**
USPC D9/527, 523, 528, 531, 520, 514–518
CPC ... B65D 1/0223; B65D 25/2882; B65D 23/10
See application file for complete search history.

FIG. 1 is a top perspective view of the bottle;
FIG. 2 is a front elevational view thereof;
FIG. 3 is a back elevational view thereof;
FIG. 4 is a right side elevational view thereof;
FIG. 5 is a left side elevational view thereof;
FIG. 6 is a top plan view thereof; and,
FIG. 7 is a bottom plan view thereof.
In the drawings, the broken lines are for the purpose of illustrating environment only and form no part of the claimed design.

(56) **References Cited**
U.S. PATENT DOCUMENTS

2,978,131 A 4/1961 Garvey
3,066,819 A 12/1962 Cox
3,127,068 A 3/1964 Sutter
3,251,514 A 5/1966 Speicher
3,343,710 A 9/1967 Wehle et al.

1 Claim, 6 Drawing Sheets



(56)

References Cited

U.S. PATENT DOCUMENTS

5,330,054 A 7/1994 Brown
 5,340,000 A 8/1994 Ring
 5,346,106 A 9/1994 Ring
 D380,682 S * 7/1997 Robinson D9/520
 5,927,533 A 7/1999 Payne et al.
 5,964,383 A 10/1999 Cargile
 6,237,792 B1 * 5/2001 Skolnicki B65D 23/10
 215/365
 D458,541 S * 6/2002 Steiger D9/528
 D461,415 S 8/2002 Gilmore et al.
 6,460,741 B1 10/2002 Ho
 D471,109 S 3/2003 Beaver
 D485,186 S 1/2004 Wiper
 D486,738 S 2/2004 Wiper
 6,695,163 B2 2/2004 Michalowski
 D490,319 S 5/2004 Wiper
 6,758,375 B2 7/2004 Ho
 D496,864 S 10/2004 Reynolds
 D514,941 S 2/2006 Darr et al.
 6,994,233 B2 2/2006 Dygert et al.
 D520,368 S 5/2006 Dorn et al.
 D521,870 S * 5/2006 Miller D9/528
 7,086,548 B2 8/2006 Bartlett
 7,331,490 B2 2/2008 Yamana
 D608,208 S 1/2010 Vaughan et al.
 D622,596 S * 8/2010 Miller D9/528
 D627,662 S * 11/2010 Darr D9/531
 D629,694 S 12/2010 Heisner
 7,857,168 B2 12/2010 Horstman et al.
 D658,062 S * 4/2012 Kim D9/528
 8,777,029 B2 7/2014 Paredes et al.
 D732,395 S 6/2015 Christian
 D732,963 S * 6/2015 Hawry D9/528
 D747,968 S 1/2016 Martin

D766,111 S 9/2016 Henshaw et al.
 D766,723 S * 9/2016 Hawry D9/523
 D788,587 S * 6/2017 Clemence D9/516
 D799,972 S 10/2017 Jost et al.
 9,796,506 B2 10/2017 Meager
 9,845,171 B2 * 12/2017 Conway B65D 25/2882
 9,878,834 B2 1/2018 Azelton et al.
 D821,210 S 6/2018 Tsukada
 D822,492 S * 7/2018 Clemence D9/516
 D824,767 S 8/2018 Murphy
 D826,056 S 8/2018 Salotti
 D828,169 S 9/2018 Cowan-Hughes et al.
 D828,170 S 9/2018 Cowan-Hughes et al.
 D833,284 S * 11/2018 Salotti D9/528
 D839,098 S * 1/2019 Chung D9/528
 10,183,779 B2 * 1/2019 Yourist B65D 1/0223
 D842,703 S * 3/2019 Lam D9/528
 D849,547 S * 5/2019 Howell D9/528
 D854,934 S * 7/2019 Falls D9/531
 D858,291 S * 9/2019 Brown D9/528
 2004/0211748 A1 10/2004 Bartlett
 2005/0211662 A1 9/2005 Eaton et al.
 2007/0068897 A1 3/2007 Miller et al.
 2008/0078765 A1 4/2008 Steiger et al.
 2008/0110849 A1 5/2008 Wachsberg
 2015/0210447 A1 7/2015 Azelton et al.

OTHER PUBLICATIONS

Photographs 6-7—of Prestone 50/50 Prediluted Antifreeze/Coolant bottle, marketed prior to Dec. 17, 2018.
 Photographs 8-9—of Peak 50/50 Prediluted Antifreeze + Coolant Long Life bottle, marketed prior to Dec. 17, 2018.
 Photographs 10-13—of STP Pro Formula Motor Oil bottle, marketed prior to Dec. 17, 2018.

* cited by examiner

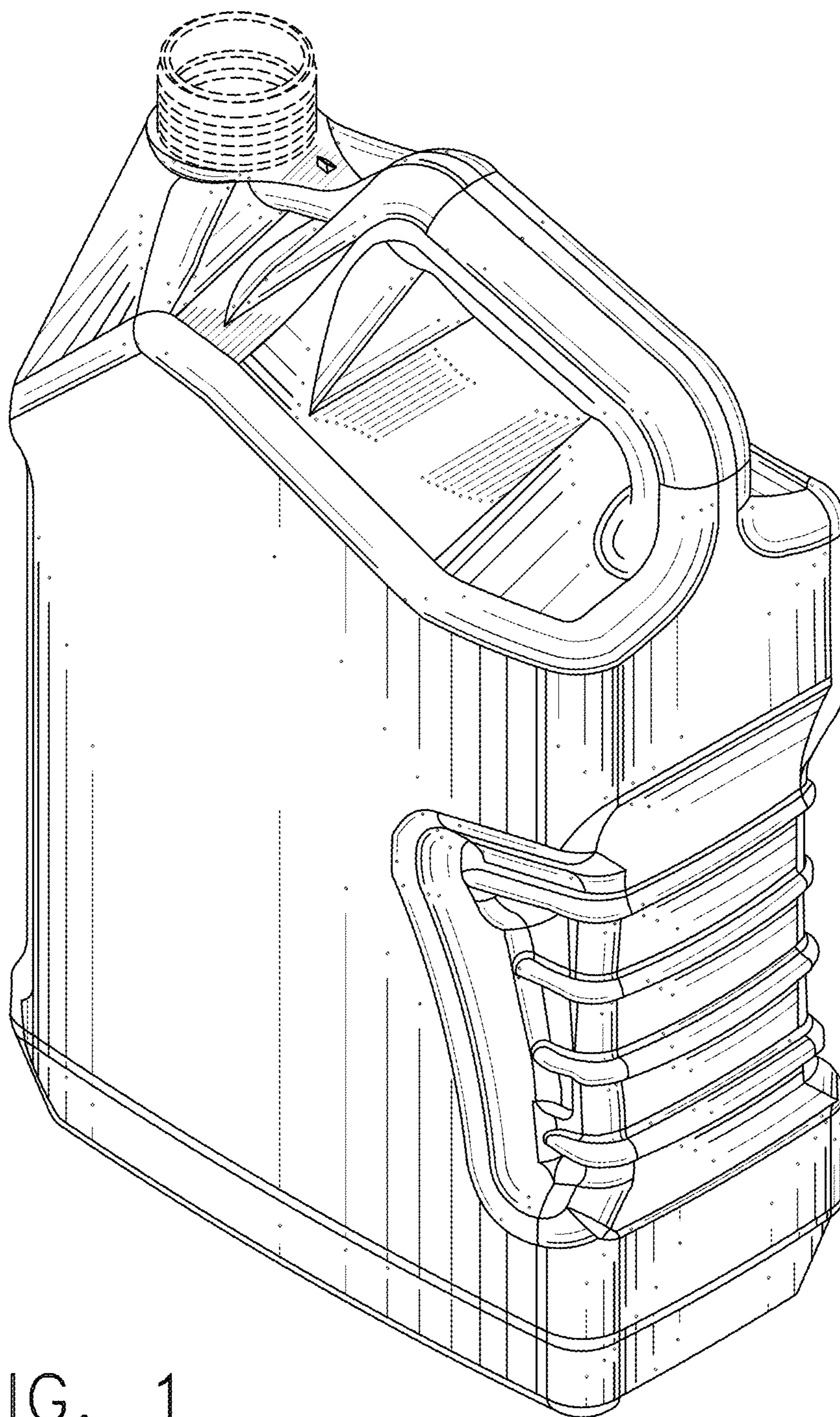


FIG. 1

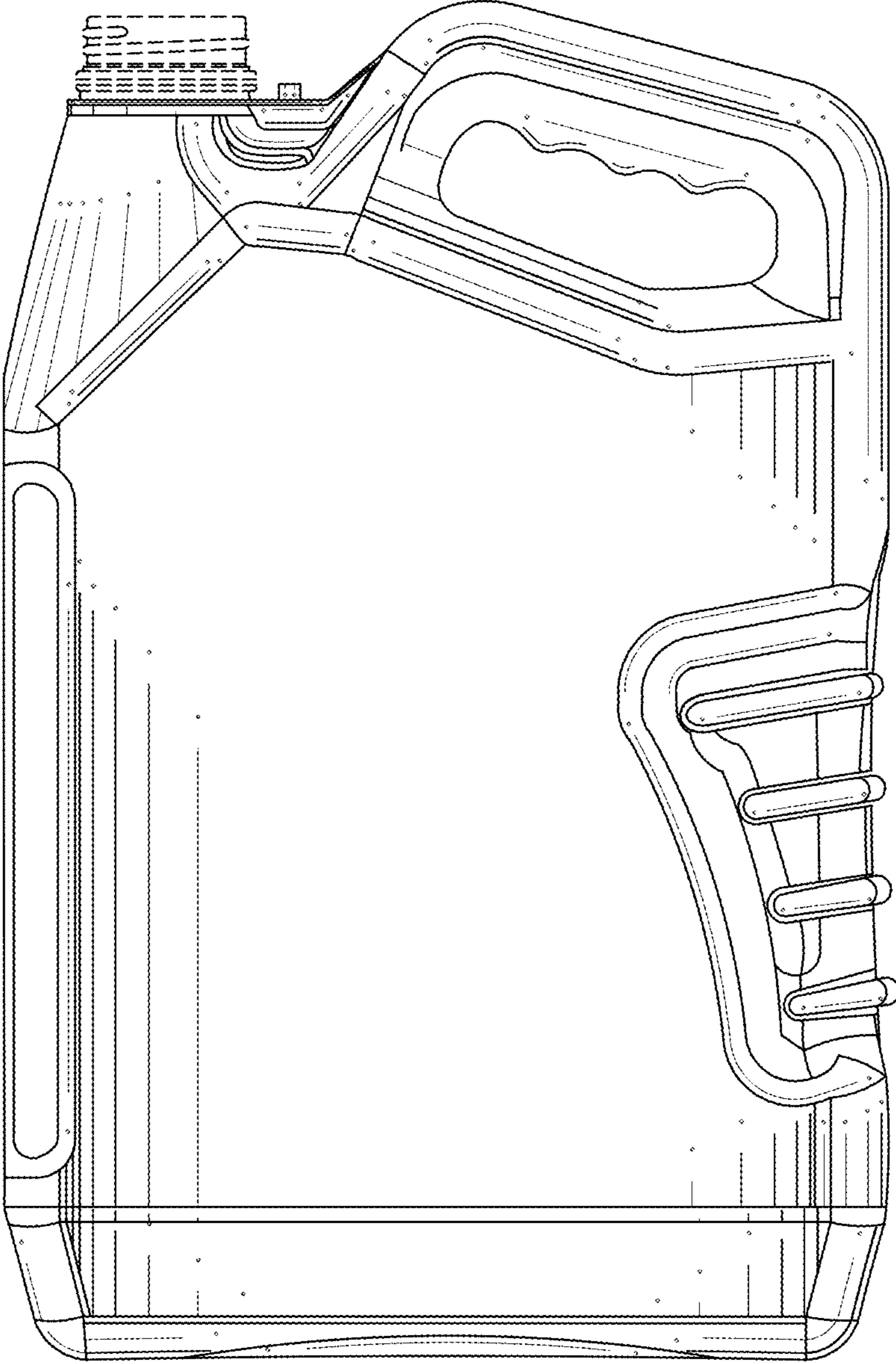


FIG. 2

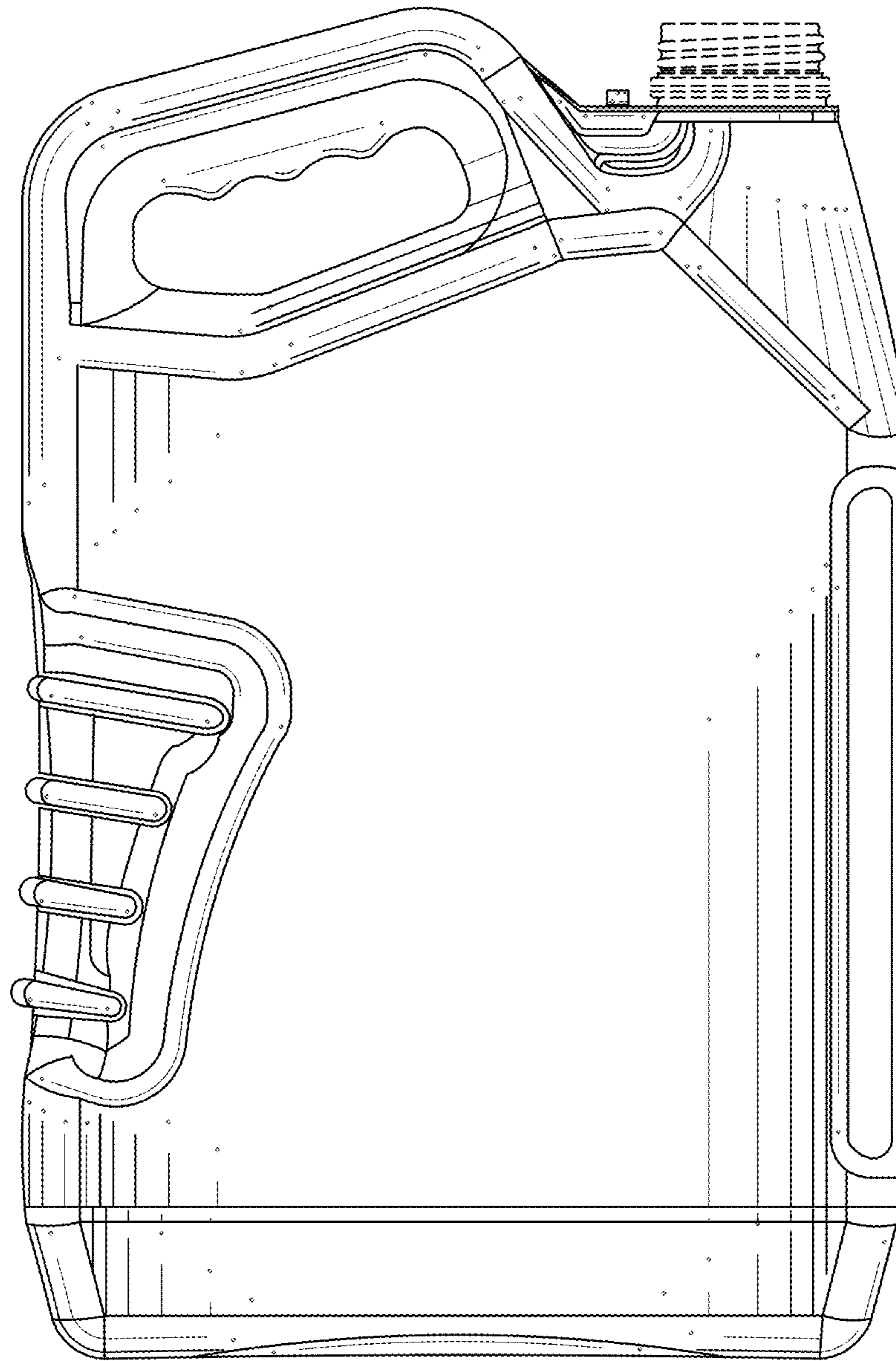


FIG. 3

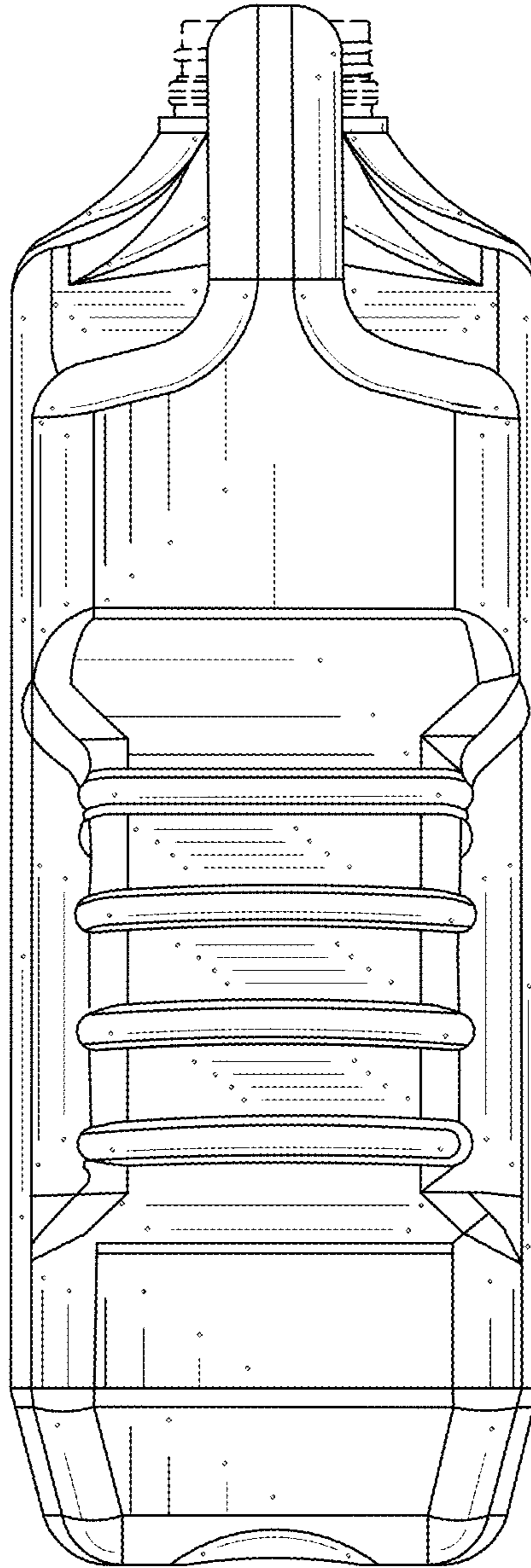


FIG. 4

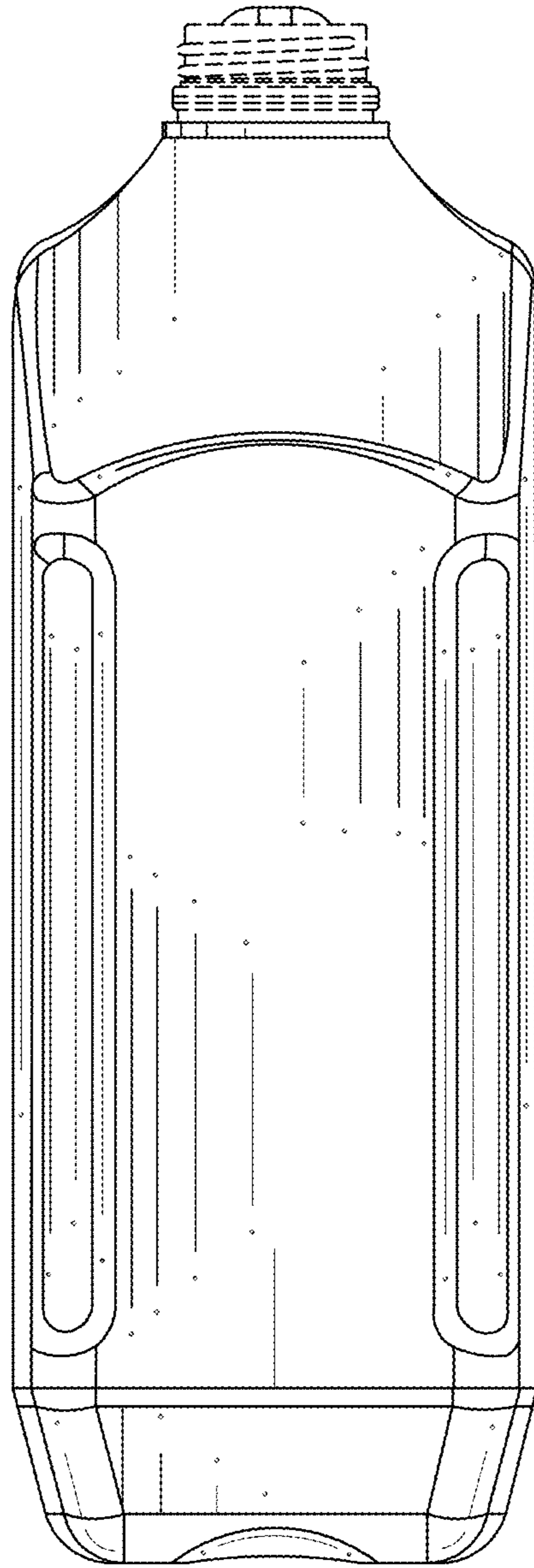


FIG. 5

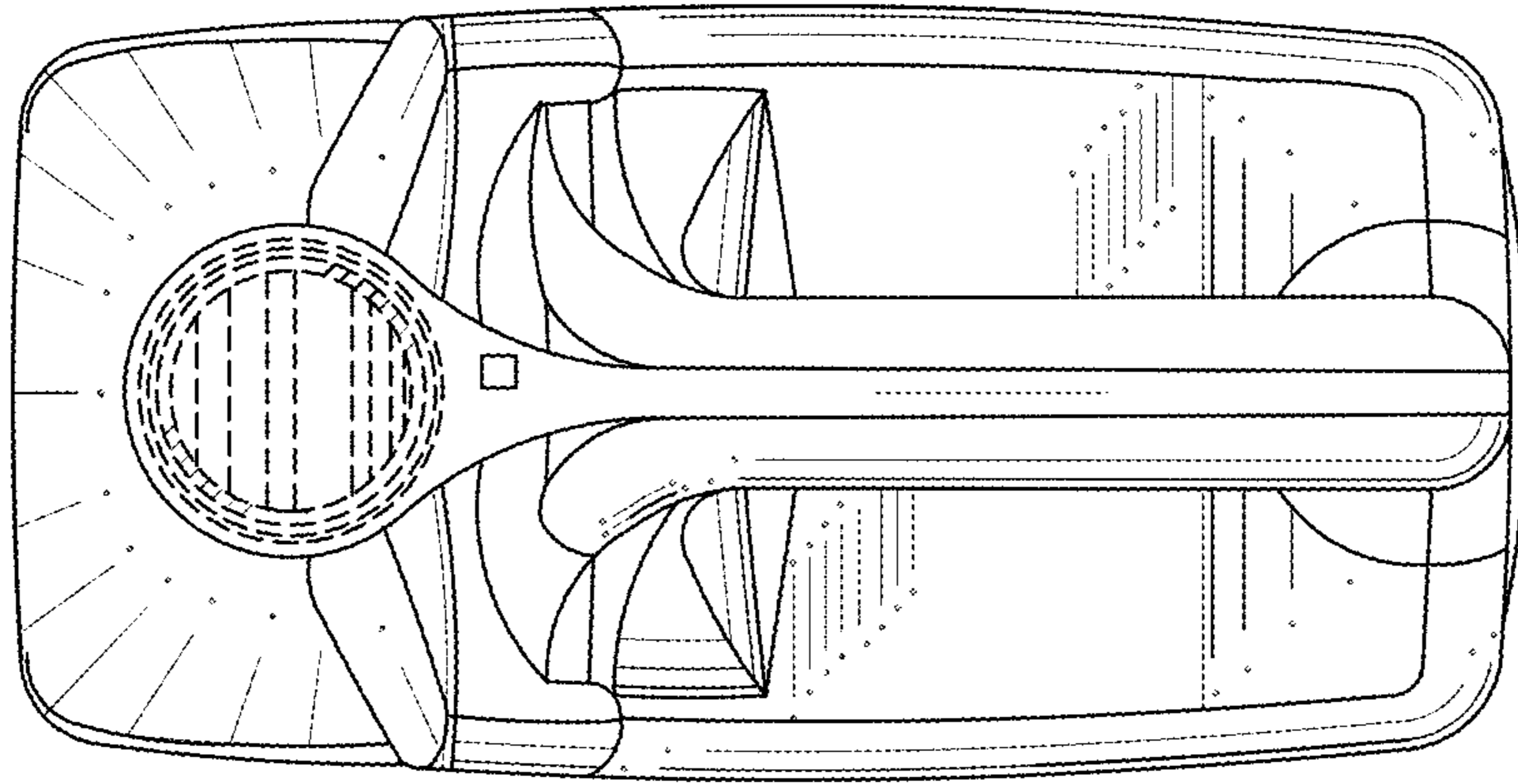


FIG. 6

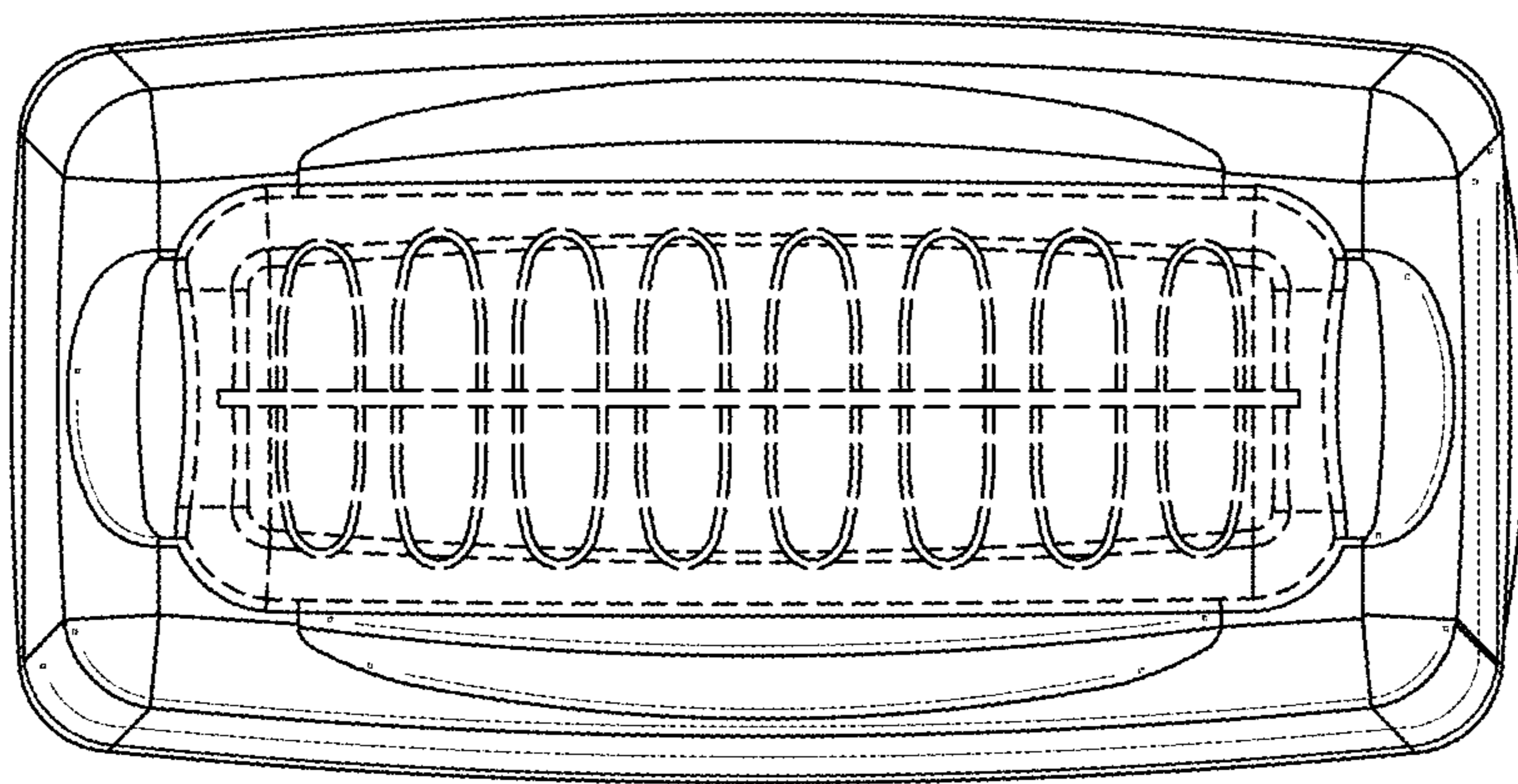


FIG. 7