

US00D870548S

(12) **United States Design Patent**
Modracek

(10) **Patent No.:** **US D870,548 S**

(45) **Date of Patent:** **** Dec. 24, 2019**

- (54) **CLAMPING DEVICE**
- (71) Applicant: **Peggy Modracek**, Manhattan Beach, CA (US)
- (72) Inventor: **Peggy Modracek**, Manhattan Beach, CA (US)
- (**) Term: **15 Years**
- (21) Appl. No.: **29/657,522**
- (22) Filed: **Jul. 23, 2018**
- (51) **LOC (12) Cl.** **08-08**
- (52) **U.S. Cl.**
USPC **D8/396**; D24/224; D24/128
- (58) **Field of Classification Search**
USPC D8/394-396, 349-356, 373, 400, 21-26, D8/29, 499; D24/128, 143, 224
CPC . H01R 11/11; F16L 23/036; F16L 3/13; F16L 3/1033; E04B 2/74; B65D 45/30; B65D 45/34; B65D 45/345
See application file for complete search history.

3,026,187	A *	3/1962	Robertson	G01N 7/14 73/30.01
3,032,849	A *	5/1962	Howard	B01L 9/50 24/569
3,085,776	A *	4/1963	Mycock	B01L 9/06 248/153
3,893,813	A *	7/1975	Johnson	B01L 9/50 422/564
D240,704	S *	7/1976	Busse	D8/72
D322,177	S *	12/1991	Shuman	D6/333
5,334,354	A *	8/1994	Johnston	B01L 9/50 16/304
D379,142	S *	5/1997	Miller	D22/147
D617,451	S *	6/2010	Hampton	D24/128
9,511,334	B2 *	12/2016	Kral	B01F 15/00746
D777,021	S *	1/2017	Dew	D8/394

* cited by examiner

Primary Examiner — John Windmuller

(74) *Attorney, Agent, or Firm* — Robert Lauson, Esq.;
Lauson & Associates

(57) **CLAIM**

I claim the ornamental design for a clamping device, as shown and described.

DESCRIPTION

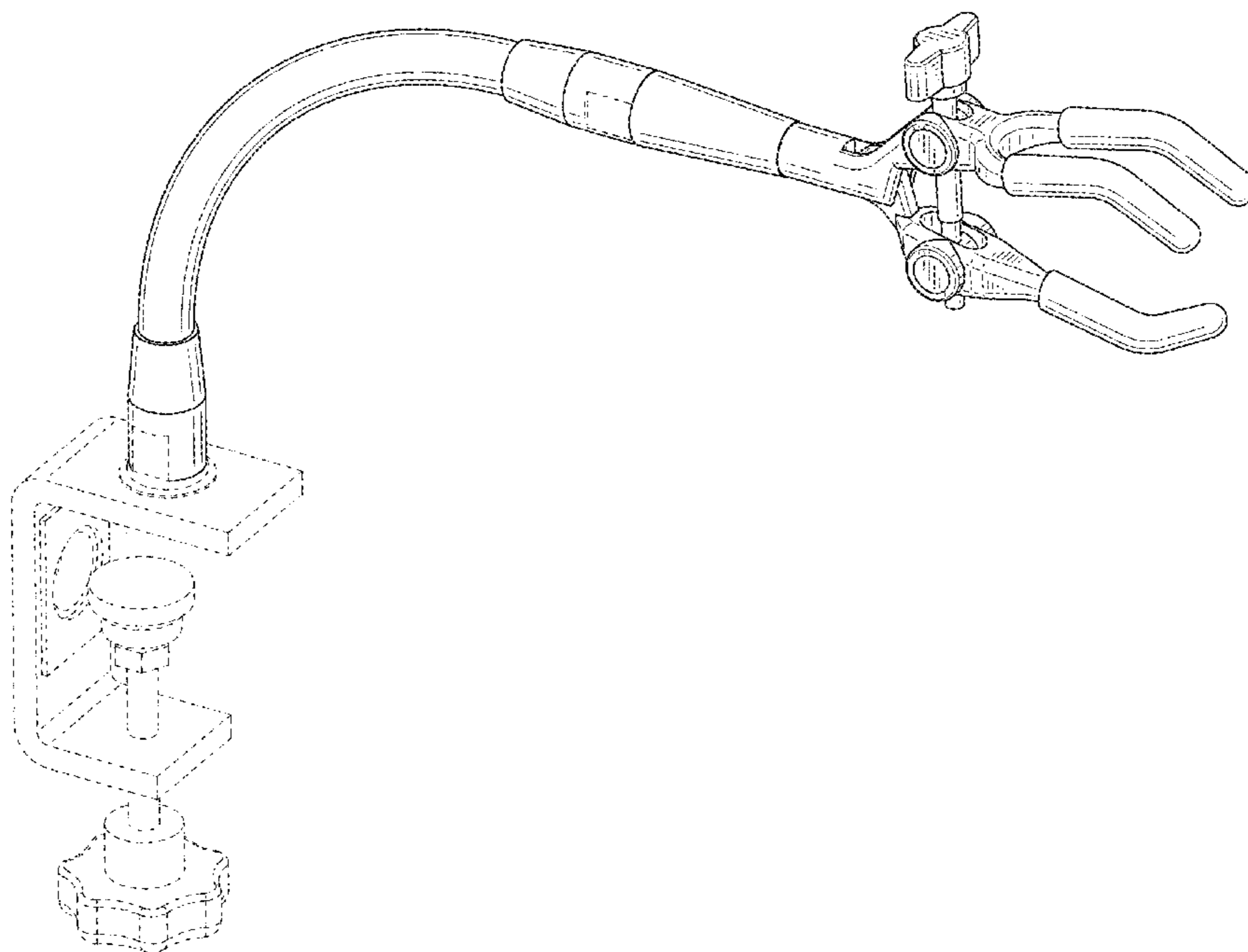
FIG. 1 is a front perspective view of the clamping device. FIG. 2 is a front view thereof, the rear view being a mirror image. FIG. 3 is a right side elevation view thereof. FIG. 4 is a left side elevation view thereof. FIG. 5 is a top plan view thereof; and, FIG. 6 is a bottom view thereof. The broken lines shown are for illustration purposes only and form no part of the claimed design.

1 Claim, 4 Drawing Sheets

(56) **References Cited**

U.S. PATENT DOCUMENTS

1,895,156	A *	1/1933	Fisher	B01L 9/50 248/316.5
2,247,978	A *	7/1941	Arkel	B01F 11/0031 366/110
2,269,790	A *	1/1942	Sherrill	B01L 9/50 24/132 R
D163,035	S *	4/1951	Goldberg	D8/72
2,731,696	A *	1/1956	John	B01L 9/50 248/316.2
D188,624	S *	8/1960	Vixler	D8/72



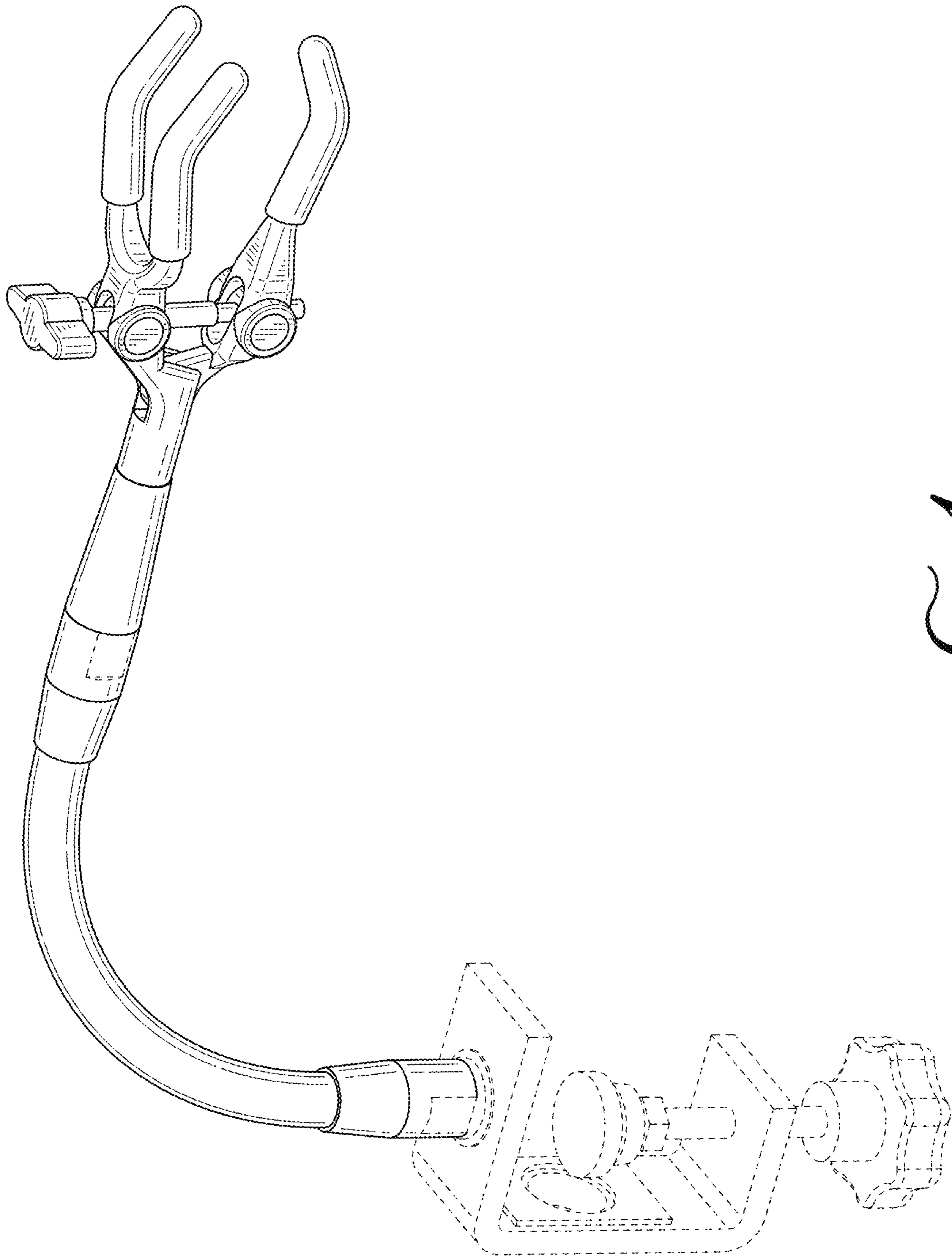


FIG. 1

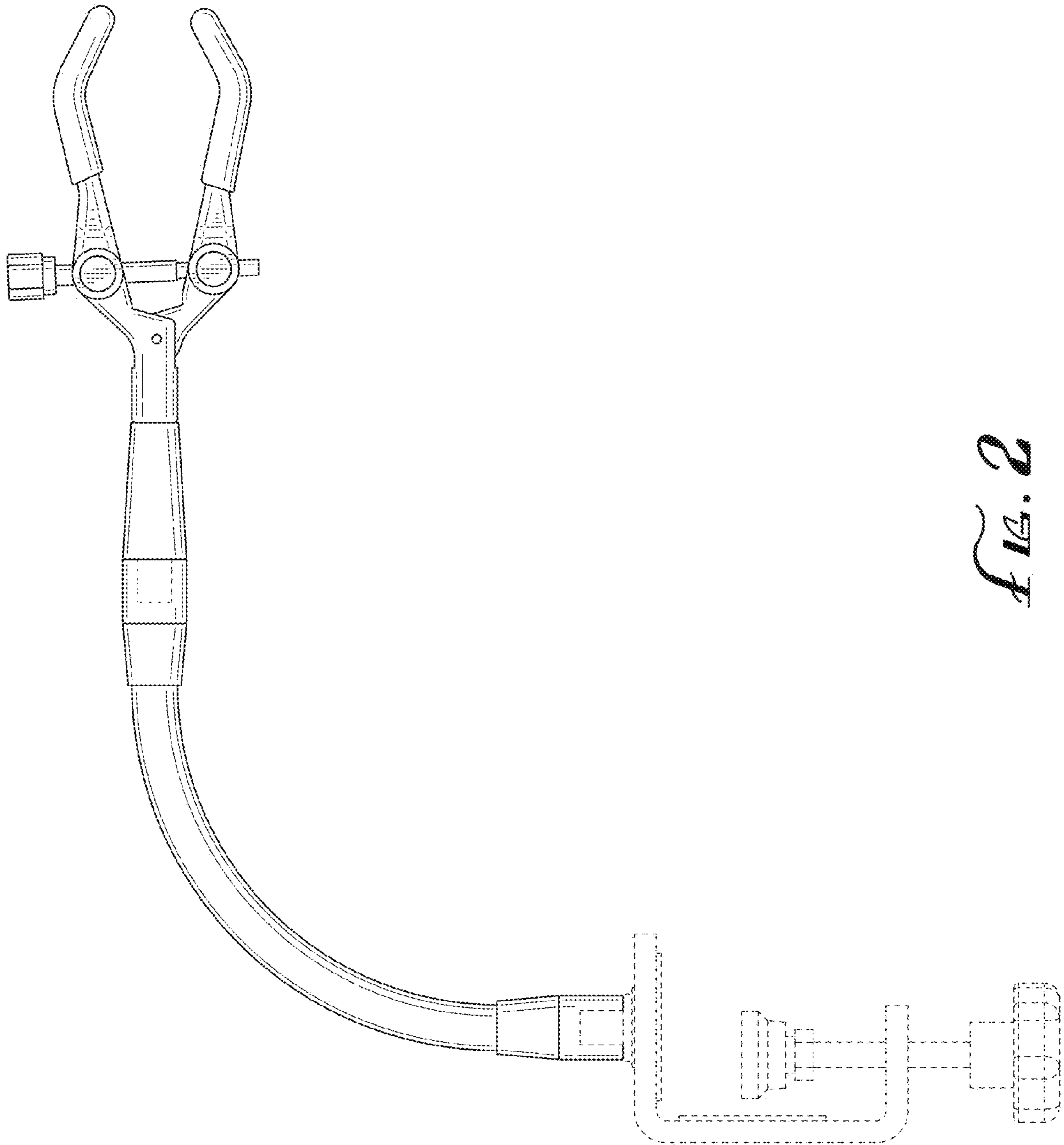


FIG. 2

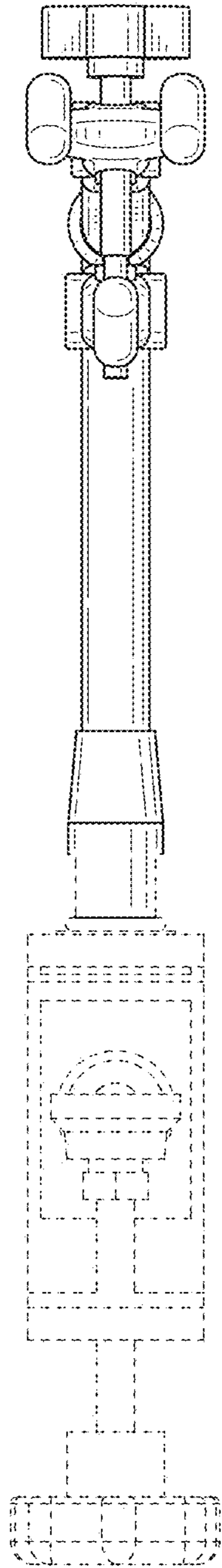


FIG. 3

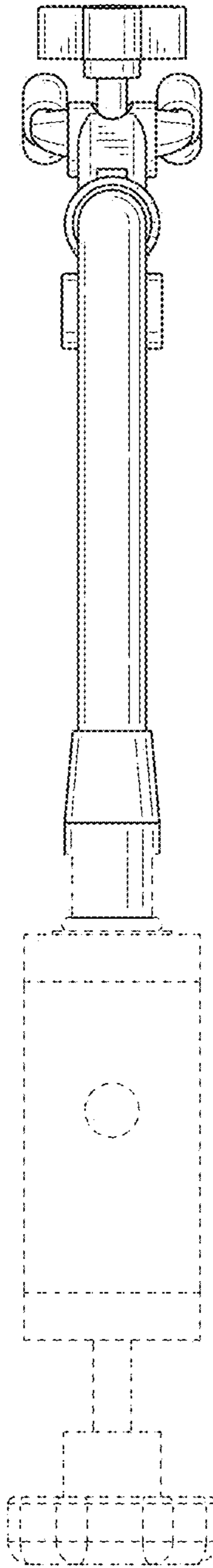


FIG. 4

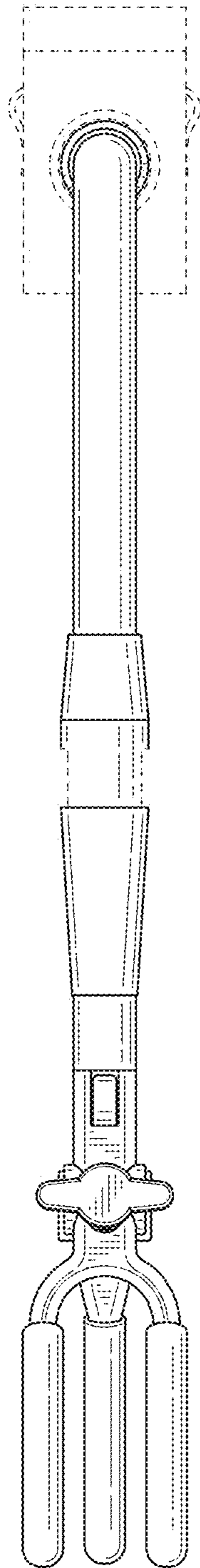


FIG. 5

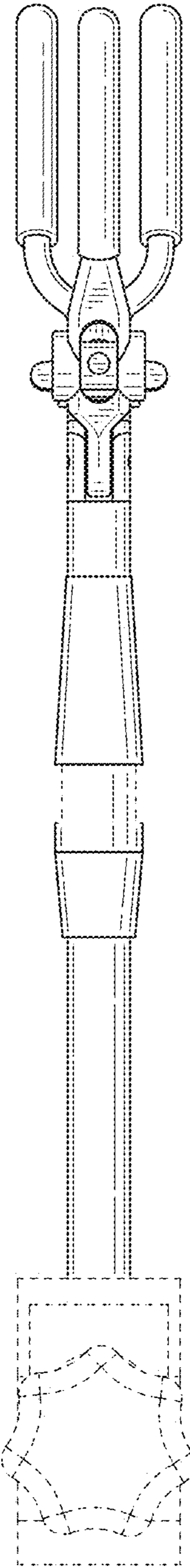


FIG. 6