



US00D870547S

(12) **United States Design Patent**
Liao

(10) **Patent No.:** **US D870,547 S**

(45) **Date of Patent:** **** Dec. 24, 2019**

(54) **TARP CLIP**

(71) Applicant: **Orix Enterprise Co., Ltd.**, Taichung (TW)

(72) Inventor: **Eric Liao**, Taichung (TW)

(73) Assignee: **Orix Enterprise Co., Ltd.**, Taichung (TW)

(**) Term: **15 Years**

(21) Appl. No.: **29/678,495**

(22) Filed: **Jan. 29, 2019**

(30) **Foreign Application Priority Data**

Oct. 29, 2018 (TW) 107306368

(51) **LOC (12) Cl.** **08-08**

(52) **U.S. Cl.**
USPC **D8/394; D8/395**

(58) **Field of Classification Search**
USPC D8/356, 371, 394-396; D19/65, 56
CPC . E04B 9/067; E04B 9/068; E04B 9/12; E04B
9/18; E04B 9/30; E04B 2009/062; E04C
2003/0413; E04C 2003/0439; E04C
2003/046

See application file for complete search history.

(56) **References Cited**

U.S. PATENT DOCUMENTS

4,170,995 A * 10/1979 Levine A61M 25/02
128/DIG. 26
5,388,313 A * 2/1995 Cameron A41F 3/04
24/265 EC

D365,017 S * 12/1995 Rohrig D8/394
6,698,071 B1 * 3/2004 Greer, Jr. F16B 2/10
24/507
D552,461 S * 10/2007 Oas D6/326
D552,978 S * 10/2007 Liao D8/395
7,996,963 B2 * 8/2011 Cameron B60P 7/0823
24/344
D670,998 S * 11/2012 Lavoie D8/395
D790,309 S * 6/2017 Liao D8/72
D798,139 S * 9/2017 Giannatti D8/394
D816,476 S * 5/2018 Shargh D8/395
2014/0373318 A1 * 12/2014 Wilson B60J 7/104
24/514

* cited by examiner

Primary Examiner — John Windmuller

(74) *Attorney, Agent, or Firm* — Wang Law Firm, Inc.

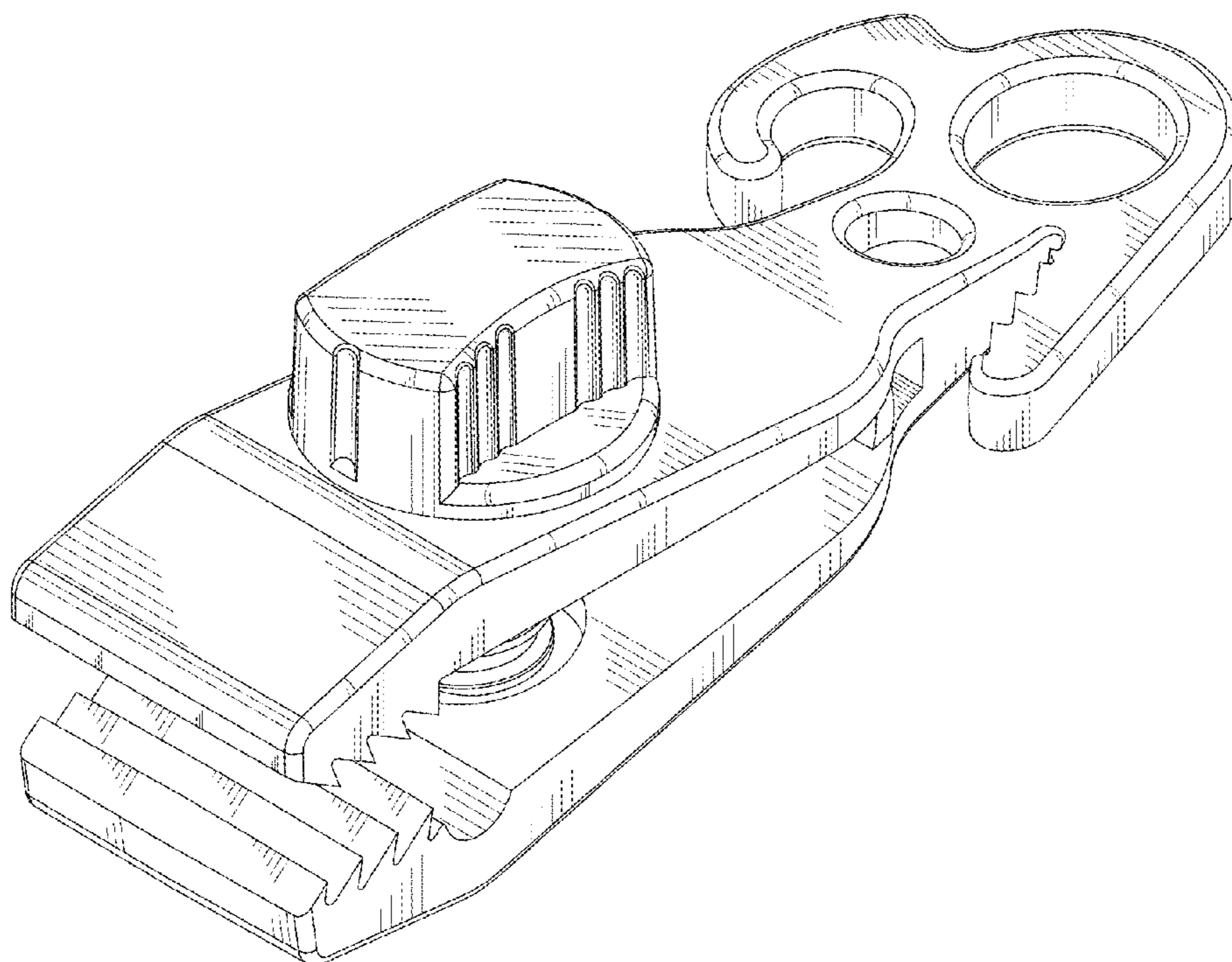
(57) **CLAIM**

The ornamental design for a tarp clip, as shown and described.

DESCRIPTION

FIG. 1 is a perspective view of a tarp clip showing my new design;
FIG. 2 is a front view thereof;
FIG. 3 is a rear view thereof;
FIG. 4 is a left view thereof;
FIG. 5 is a right view thereof;
FIG. 6 is a top view thereof; and,
FIG. 7 is a bottom view thereof.

1 Claim, 6 Drawing Sheets



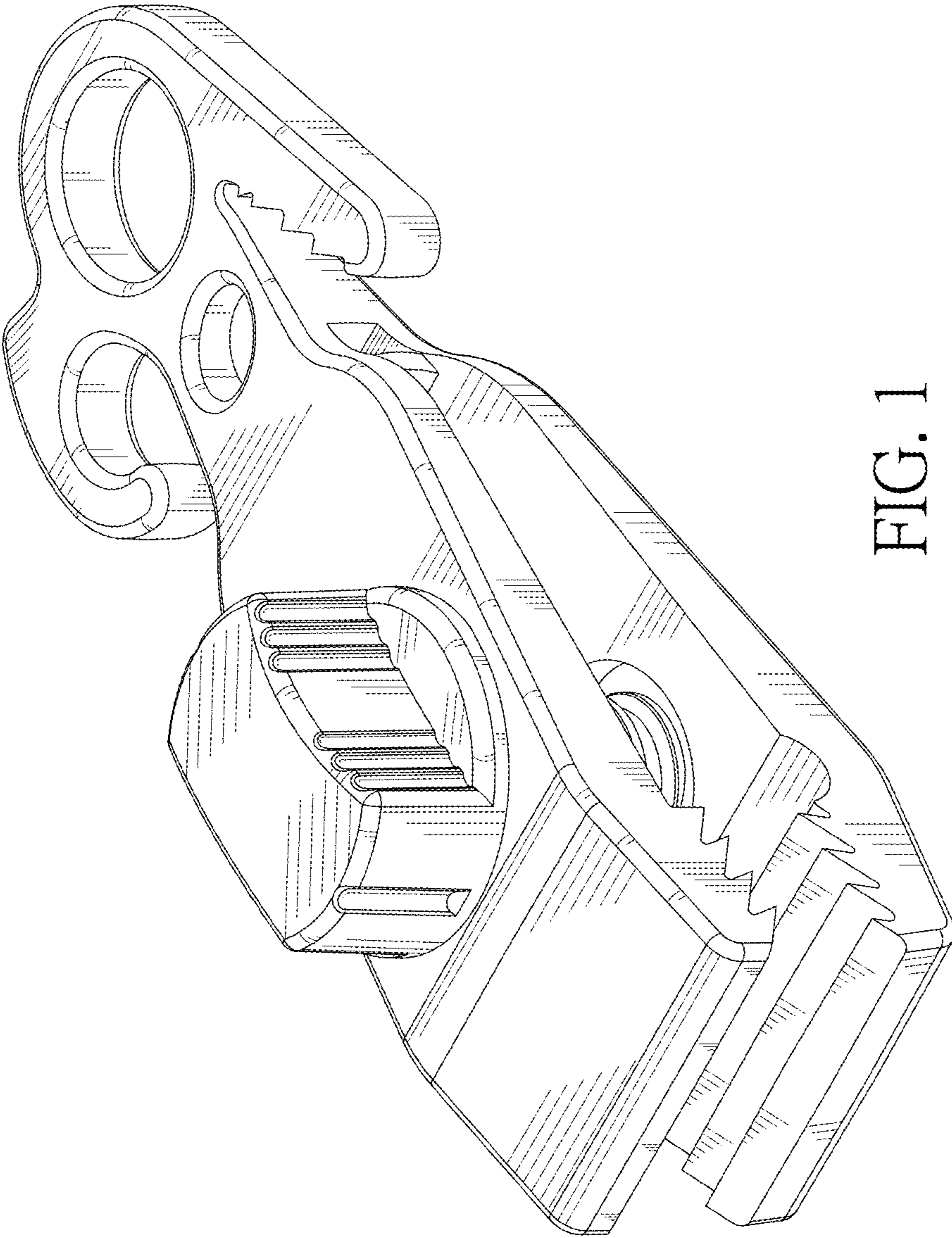


FIG. 1

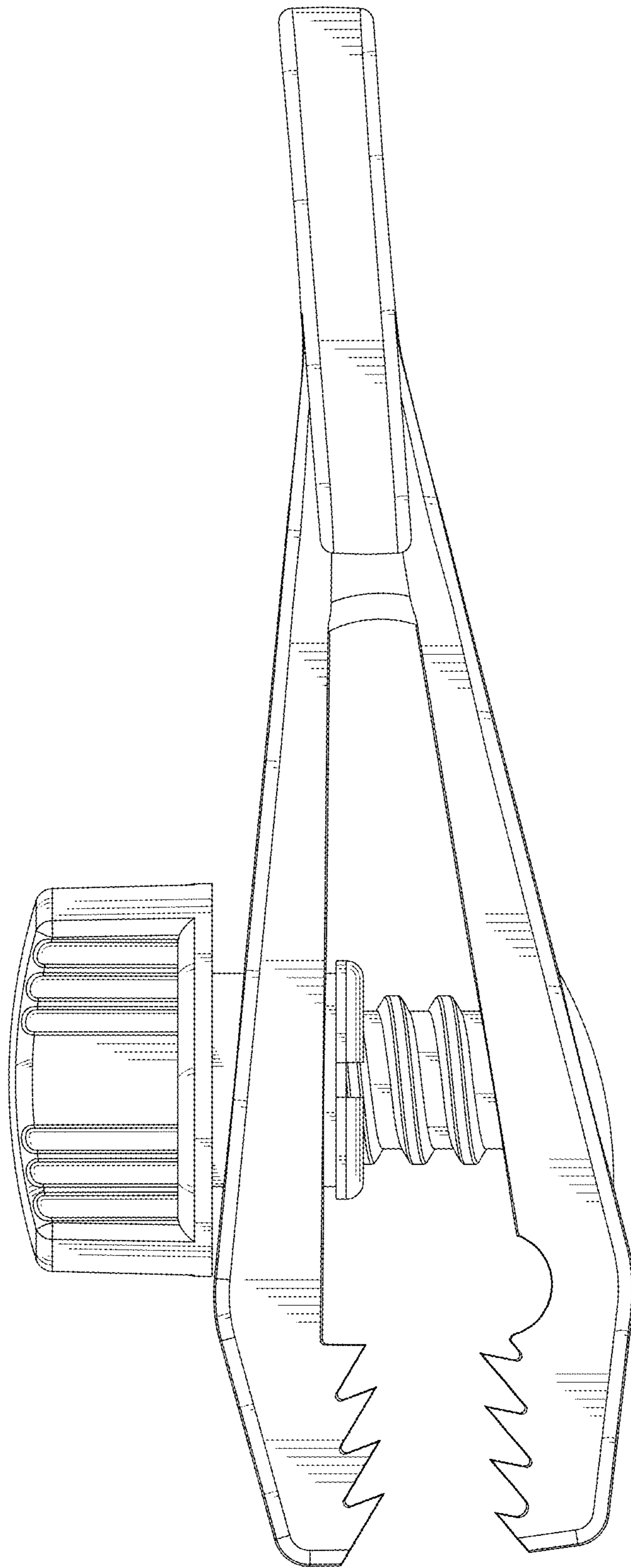


FIG. 2

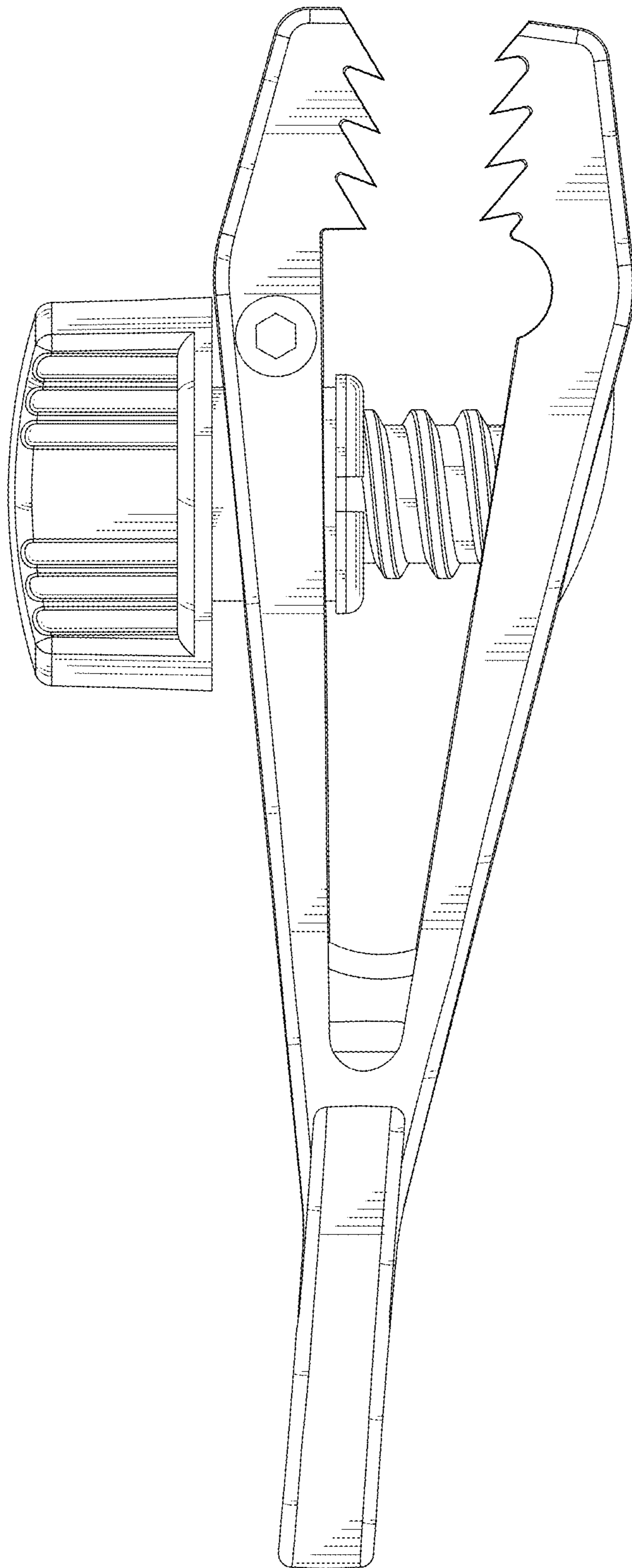


FIG. 3

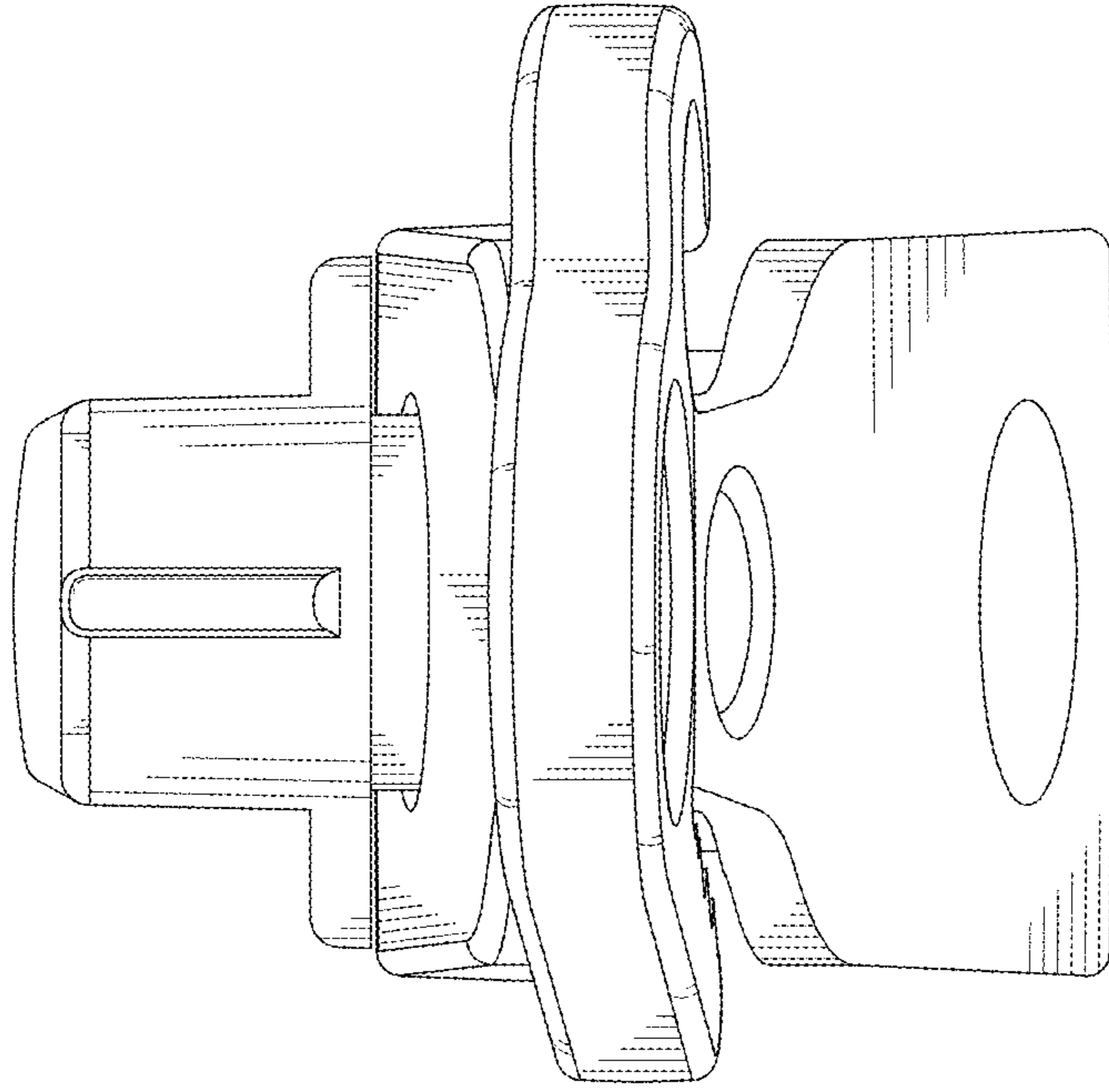


FIG. 5

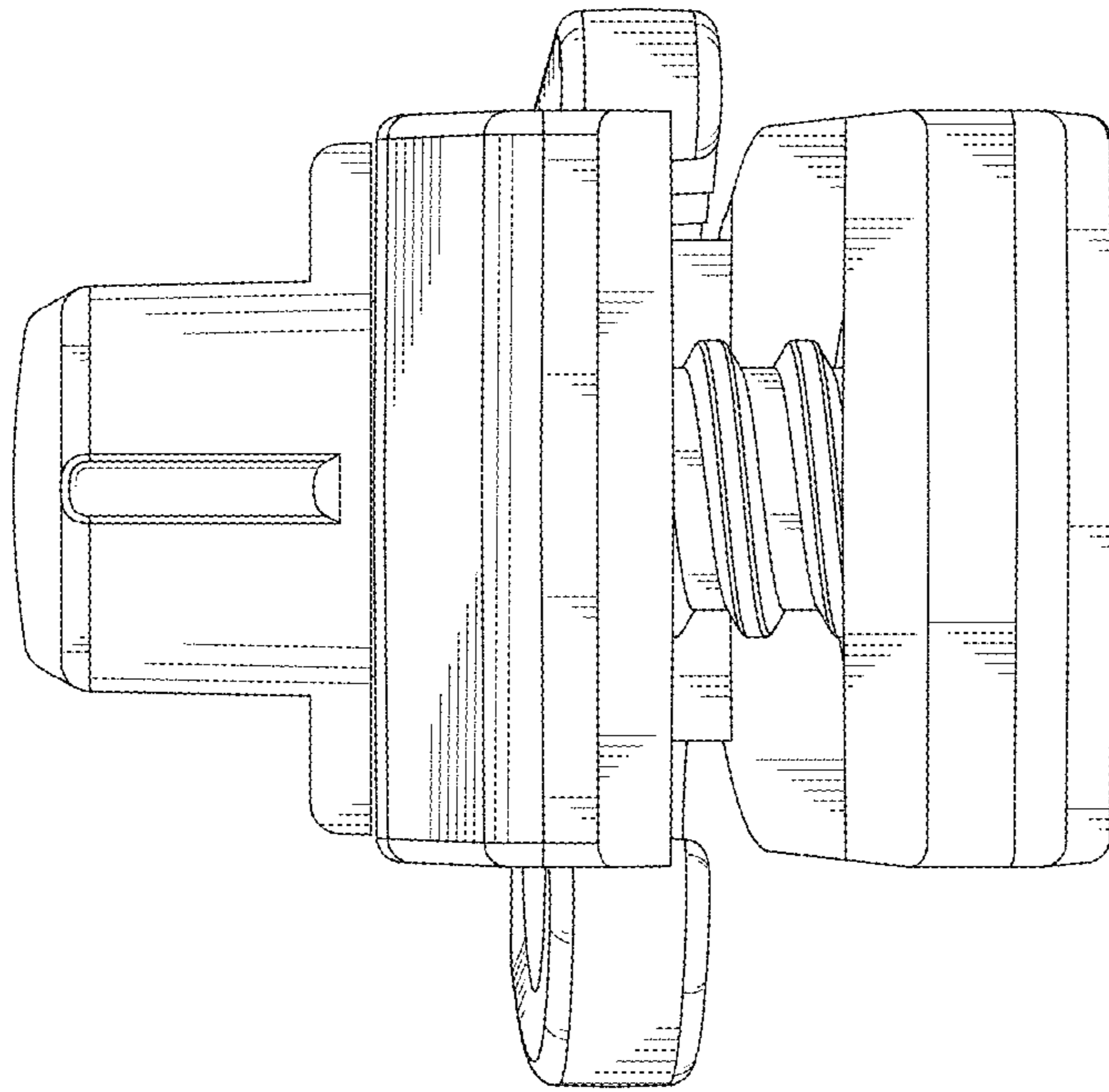


FIG. 4

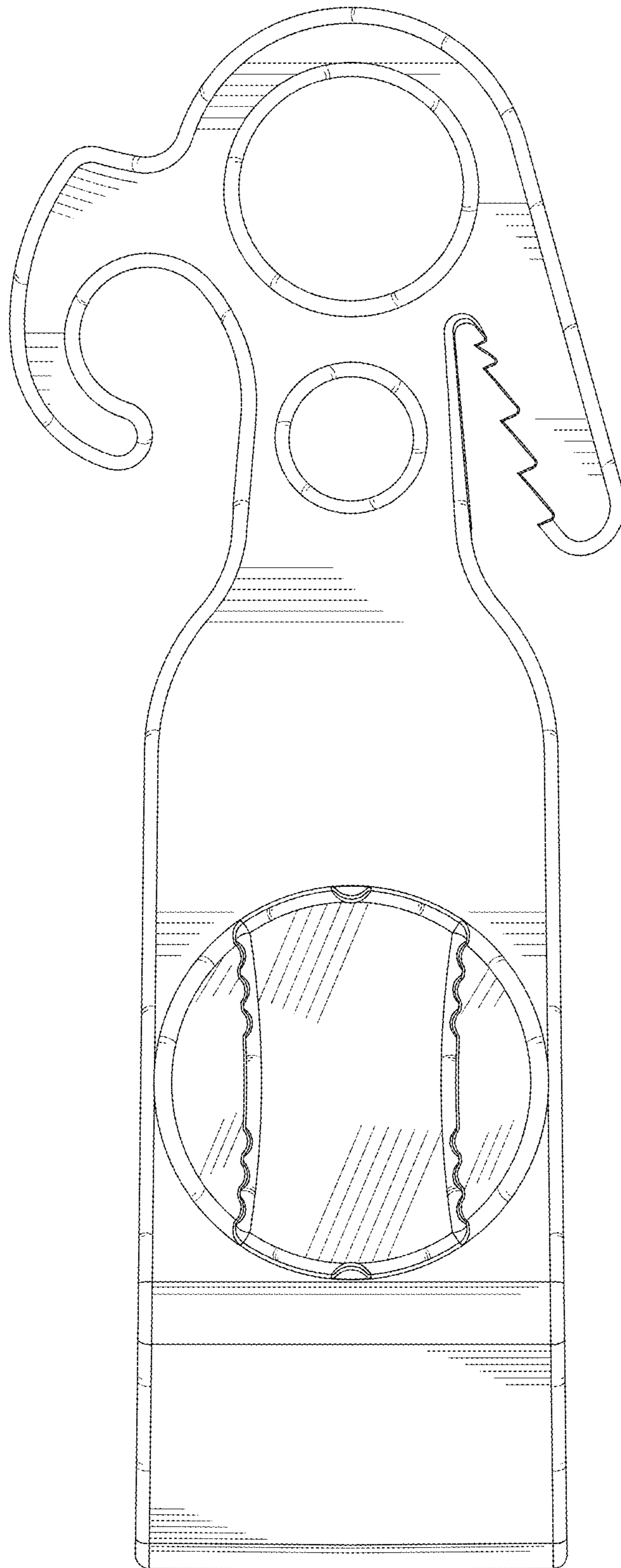


FIG. 6

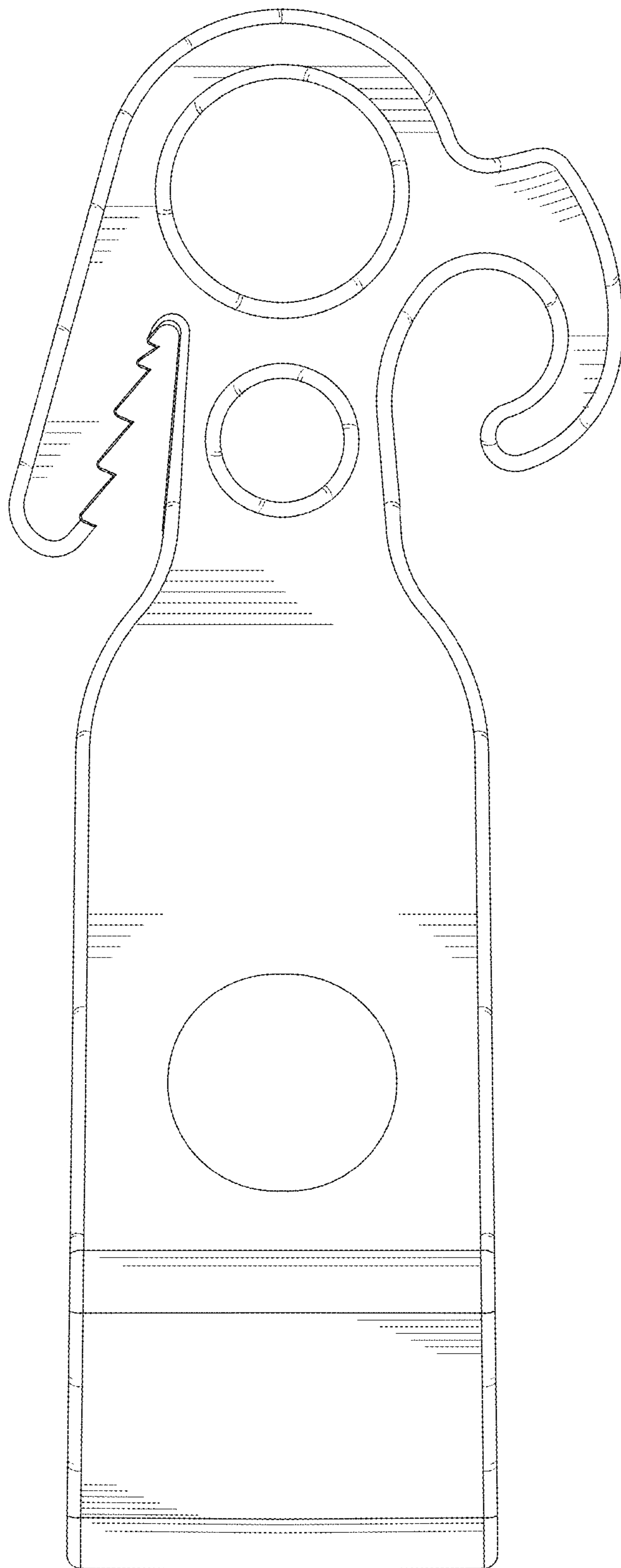


FIG. 7