



US00D870546S

(12) **United States Design Patent** (10) **Patent No.:** **US D870,546 S**
Almy (45) **Date of Patent:** **** Dec. 24, 2019**

(54) **SCREW-TYPE FENCING STAPLE**
(71) Applicant: **Curtis Almy**, Miles City, MT (US)
(72) Inventor: **Curtis Almy**, Miles City, MT (US)
(**) Term: **15 Years**
(21) Appl. No.: **29/648,701**
(22) Filed: **May 23, 2018**
(51) **LOC (12) Cl.** **08-08**
(52) **U.S. Cl.**
USPC **D8/389**
(58) **Field of Classification Search**
USPC D8/16, 354, 382, 388, 389, 390, 399
CPC A61B 17/064; A61B 2017/0641; F16B
15/0015; F16B 15/0023; F16B 15/0053;
F16B 2015/0076; F16B 15/06; F16B
15/08; F16B 15/00; F16B 43/003; E04H
17/10; H02G 3/32
See application file for complete search history.

2,489,870 A * 11/1949 Dzus A61B 17/683
606/310
2,533,062 A 12/1950 Spink
2,895,369 A * 7/1959 Andersen F16B 15/0038
411/466
3,032,089 A * 5/1962 Gutshall F16B 39/24
411/134

(Continued)

Primary Examiner — Sandra S Snapp
Assistant Examiner — Ieisha N Price
(74) *Attorney, Agent, or Firm* — Antoinette M. Tease

(57) **CLAIM**

The ornamental design for a screw-type fencing staple, as shown and described.

DESCRIPTION

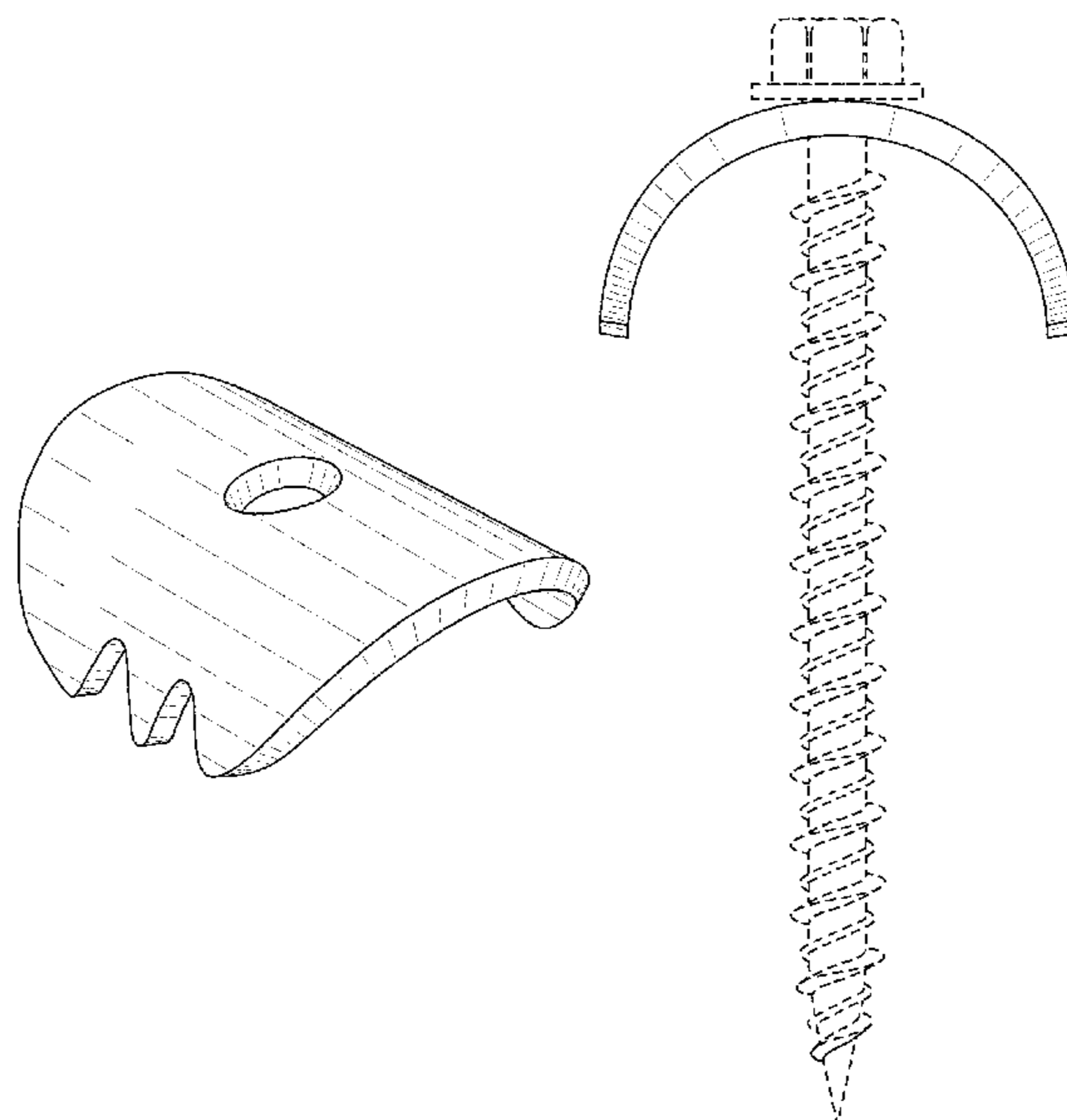
FIG. 1 is a top perspective view of a screw-type fencing staple showing the new design.
FIG. 2 is a bottom perspective view of a screw-type fencing staple showing the new design.
FIG. 3 is a right side view of a screw-type fencing staple showing the new design.
FIG. 4 is a left side view of a screw-type fencing staple showing the new design.
FIG. 5 is an environmental left side view showing the screw-type fencing staple in relation to a screw.
FIG. 6 is a front view of a screw-type fencing staple showing the new design.
FIG. 7 is a rear view of a screw-type fencing staple showing the new design.
FIG. 8 is a top plan view of a screw-type fencing staple showing the new design; and,
FIG. 9 is a bottom plan view of a screw-type fencing staple showing the new design.
The broken lines showing of the screw in FIG. 5 illustrate the environment of the claimed design and forms no part thereof.

(56) **References Cited**

U.S. PATENT DOCUMENTS

183,299 A	10/1876	Harsha	
244,410 A	7/1881	Woodruff	
350,698 A	10/1886	Scarles	
509,102 A	11/1893	Rogers	
543,758 A	7/1895	Swift	
578,100 A	3/1897	Hay	
D33,300 S *	10/1900	Cort	D8/399
D34,939 S *	8/1901	Taylor	D8/399
743,580 A	11/1903	Smith	
951,393 A *	3/1910	Hahn	F16B 15/0015 411/473
1,389,540 A	8/1921	Washington	
1,434,027 A	10/1922	Schoen	
D104,117 S *	4/1937	Salzberg	D8/389
2,207,897 A	7/1940	Shaus	
2,262,499 A	11/1941	Hunerwadel	
2,386,953 A	10/1945	Hunt	

1 Claim, 3 Drawing Sheets



(56)

References Cited

U.S. PATENT DOCUMENTS

3,049,042 A *	8/1962	De Lynn	F16B 15/04	6,044,530 A *	4/2000	Room	B21D 53/36
			411/446				206/345
3,143,030 A *	8/1964	Muller	F16B 15/0038	6,336,928 B1 *	1/2002	Guerin	A61B 17/7059
			411/461				606/282
D205,375 S *	7/1966	Marotz	D8/389	6,367,216 B1 *	4/2002	Maylon	E04B 2/7457
D227,976 S *	7/1973	Barth	D8/390				411/457
3,800,653 A *	4/1974	Barth	F16B 15/06	D494,459 S	8/2004	Kuhn et al.	
			411/474	D494,460 S	8/2004	Nebesnak et al.	
3,874,263 A *	4/1975	Barth	F16B 15/06	D495,245 S	8/2004	Kuhn	
			411/474	D497,102 S	10/2004	Kuhn	
4,047,524 A *	9/1977	Hall	A61B 17/7022	D511,679 S	11/2005	Malin	
			606/75	7,622,682 B2	11/2009	Malin	
4,150,465 A *	4/1979	Gavin, Jr.	E04F 13/0837	D625,591 S *	10/2010	MacDonald	D8/390
			403/353	8,336,275 B2	12/2012	Rodenhouse	
4,395,174 A	7/1983	Freeman		8,728,131 B2 *	5/2014	Di Giacomo	A61B 17/809
D278,972 S *	5/1985	Fredriksson	D8/388				606/297
4,960,420 A *	10/1990	Goble	A61B 17/0642	D795,683 S	8/2017	Malin	
			411/457	D805,886 S *	12/2017	Shackelford	D8/389
D312,772 S *	12/1990	Paul	D8/373	10,113,306 B2 *	10/2018	Brigham	E04B 1/003
5,063,722 A *	11/1991	Hohmann	E04F 13/0814	2007/0018147 A1 *	1/2007	Damon, III	E04H 17/10
			411/457				256/48
5,118,235 A	6/1992	Dill		2007/0270906 A1 *	11/2007	Molz	A61B 17/0642
5,255,898 A	10/1993	Cacicedo					606/219
D374,286 S *	10/1996	Goble	D24/145	2008/0061280 A1	3/2008	Damon, III	
D374,287 S *	10/1996	Goble	D24/135	2011/0031356 A1	2/2011	Vonada	
D374,482 S *	10/1996	Goble	D24/145	2011/0038689 A1 *	2/2011	MacDonald	F16B 15/0015
D375,791 S *	11/1996	Goble	D24/145				411/475
D398,218 S	9/1998	Coll et al.		2015/0275951 A1 *	10/2015	Shadwell	E04F 15/02044
D399,730 S *	10/1998	Pitre	D8/399				411/511
5,885,293 A *	3/1999	McDevitt	A61B 17/1635	2015/0313659 A1 *	11/2015	Miyawaki	A61C 7/00
			606/102				606/303
				2016/0338501 A1 *	11/2016	Conway	F16B 2/22
				2017/0321434 A1 *	11/2017	Shadwell	E04F 15/04
				2017/0328071 A1 *	11/2017	Reynolds	E04F 13/0816

* cited by examiner

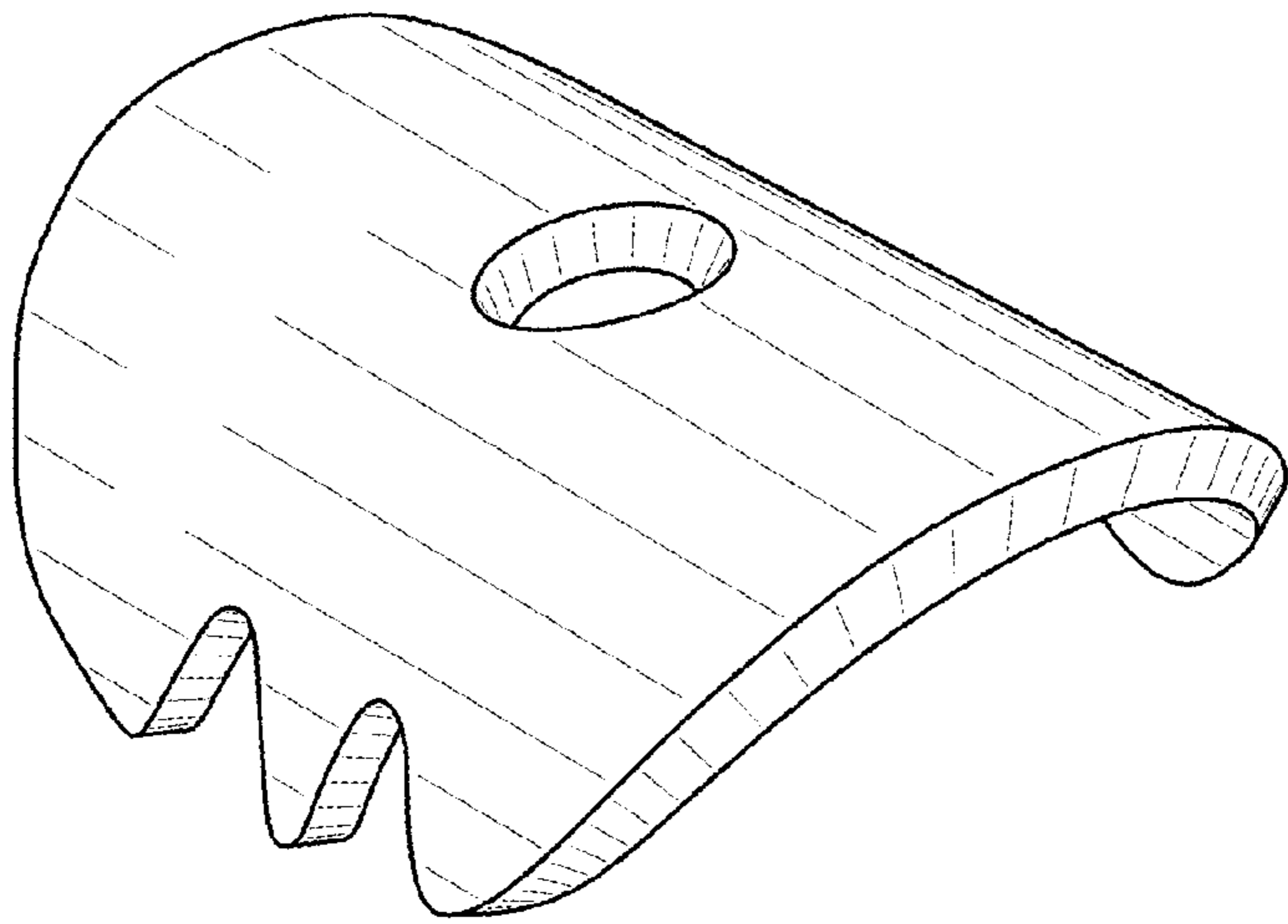


FIG. 1

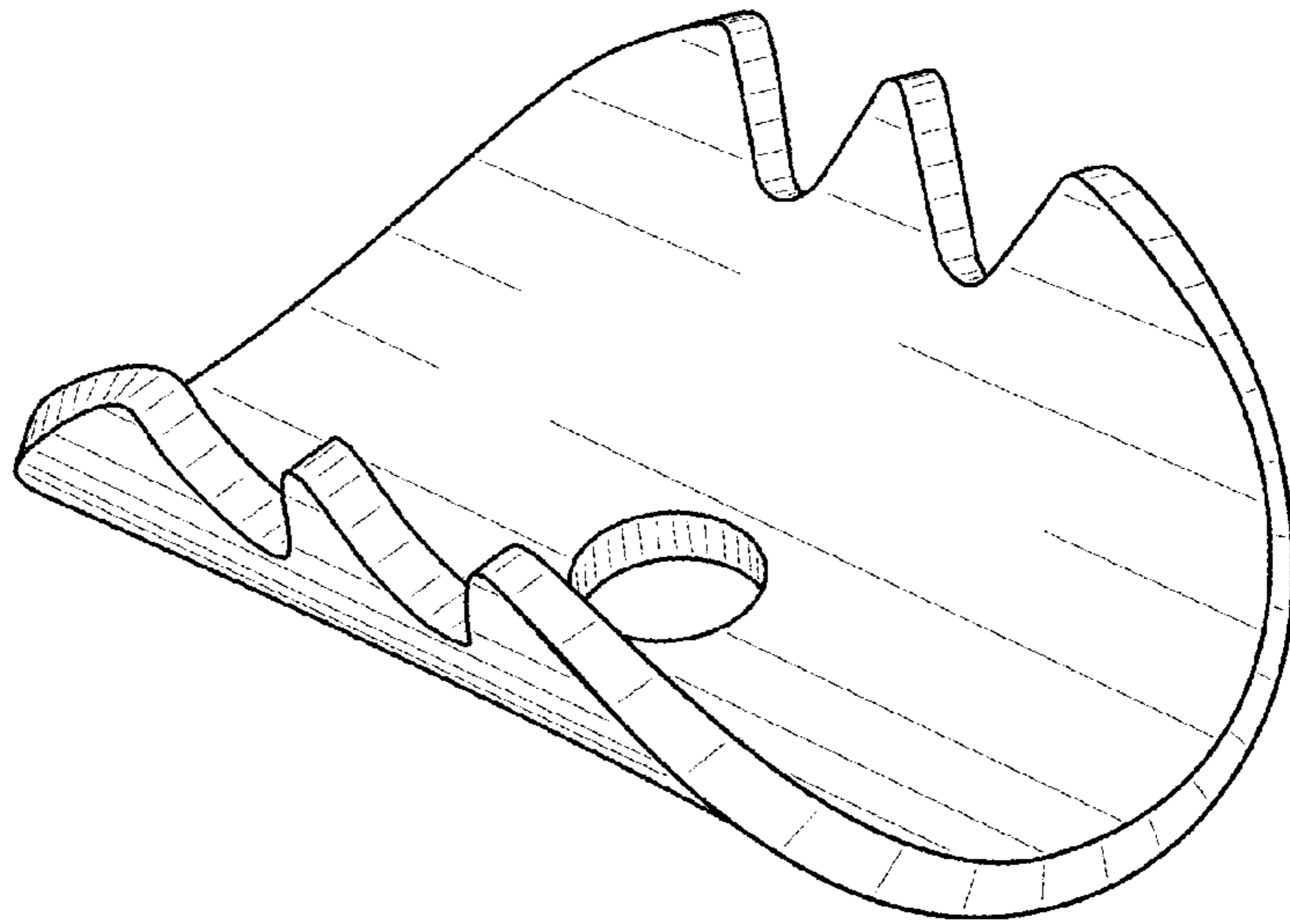


FIG. 2

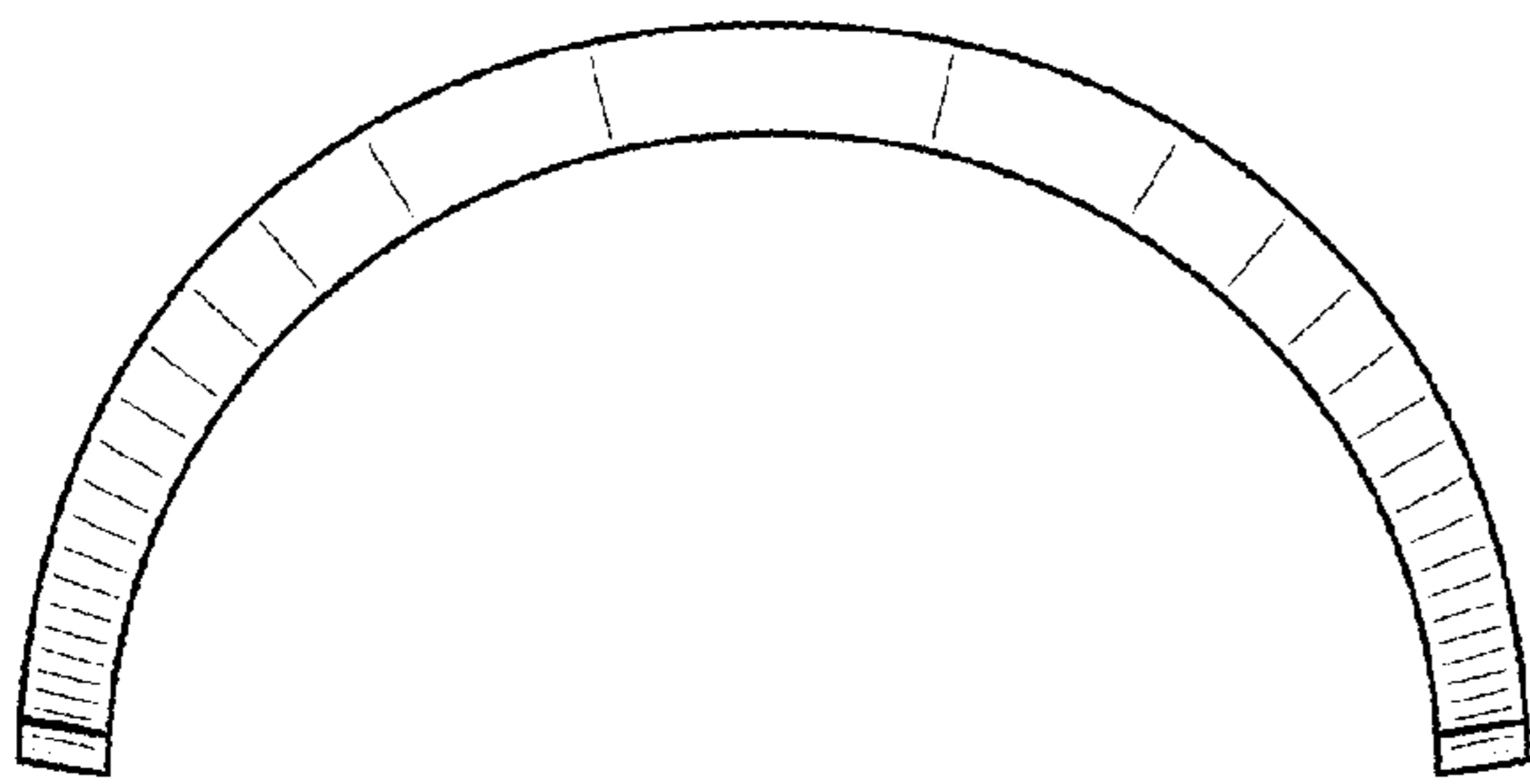


FIG. 3

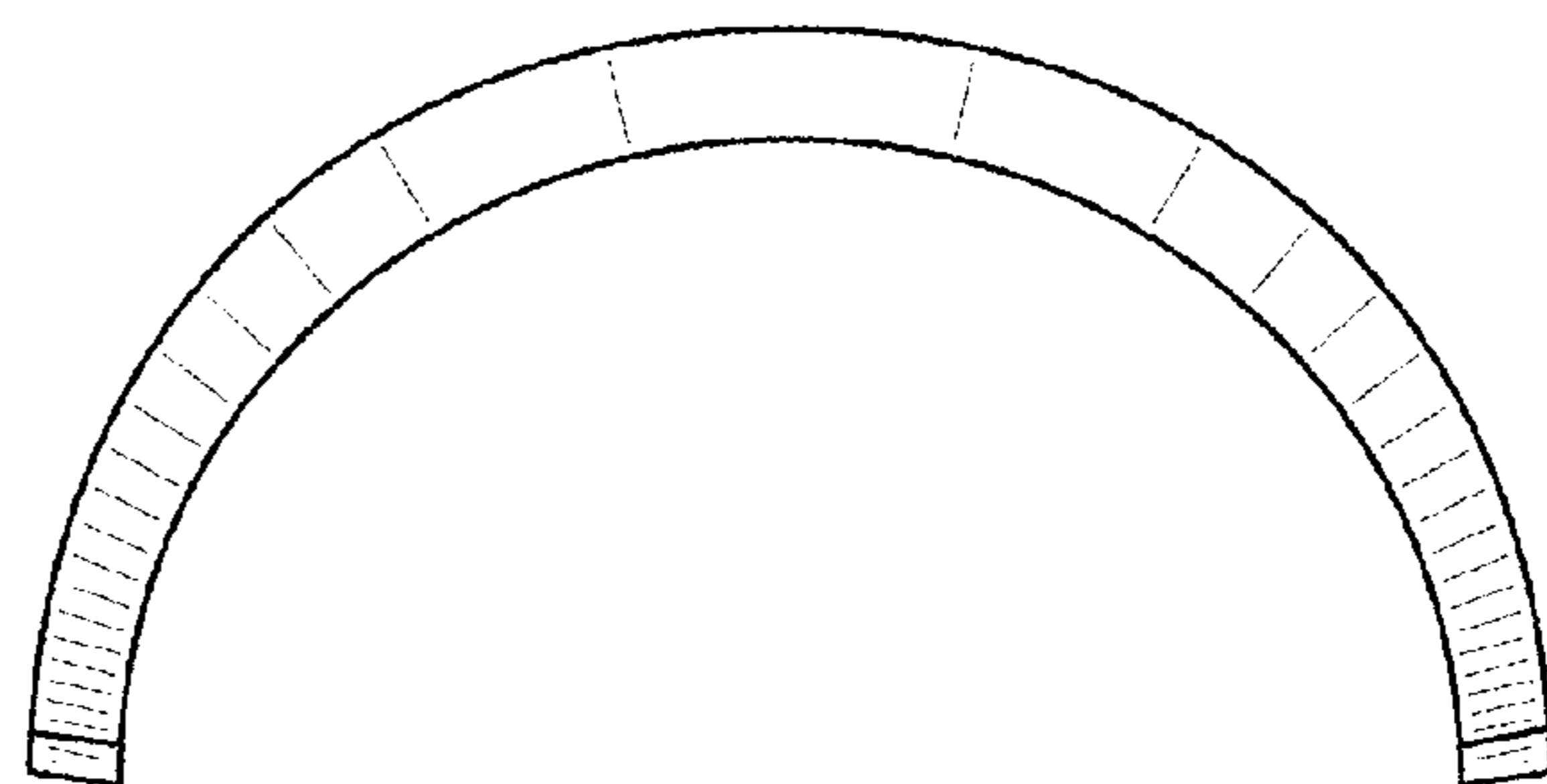


FIG. 4

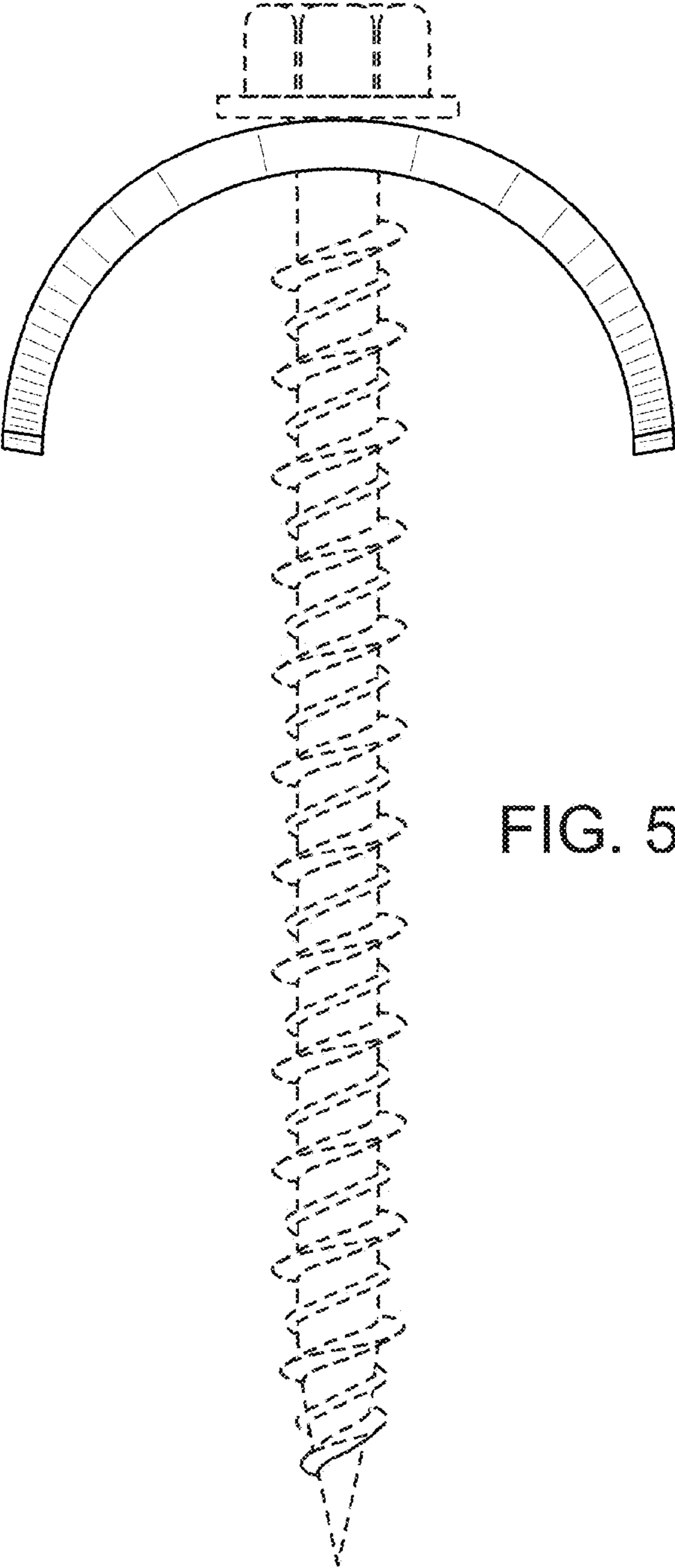


FIG. 5

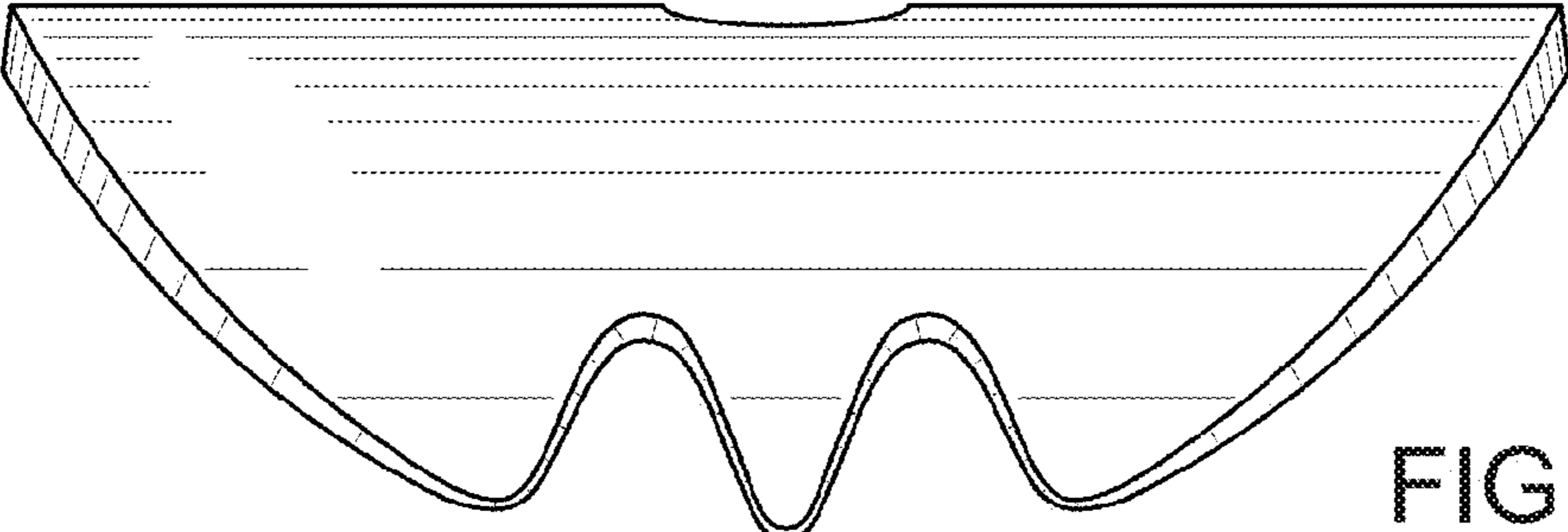


FIG. 6

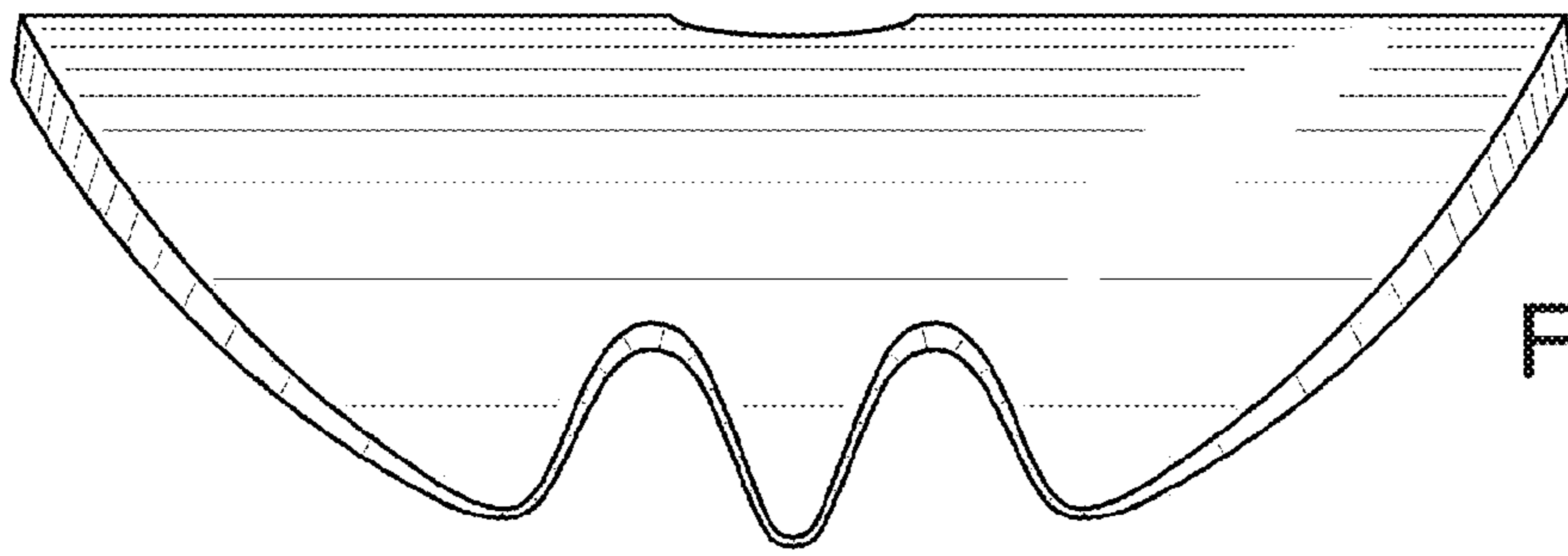


FIG. 7

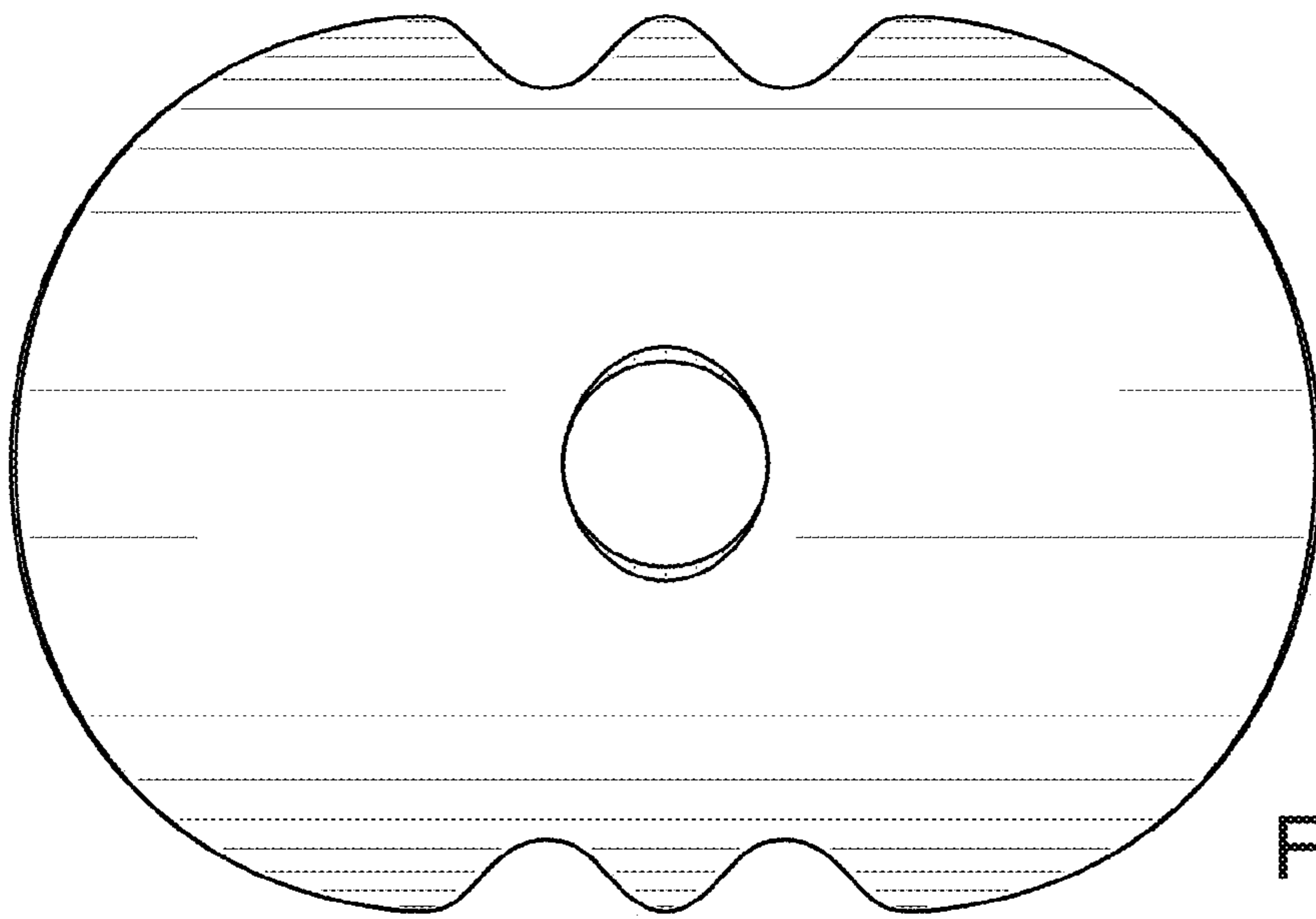


FIG. 8

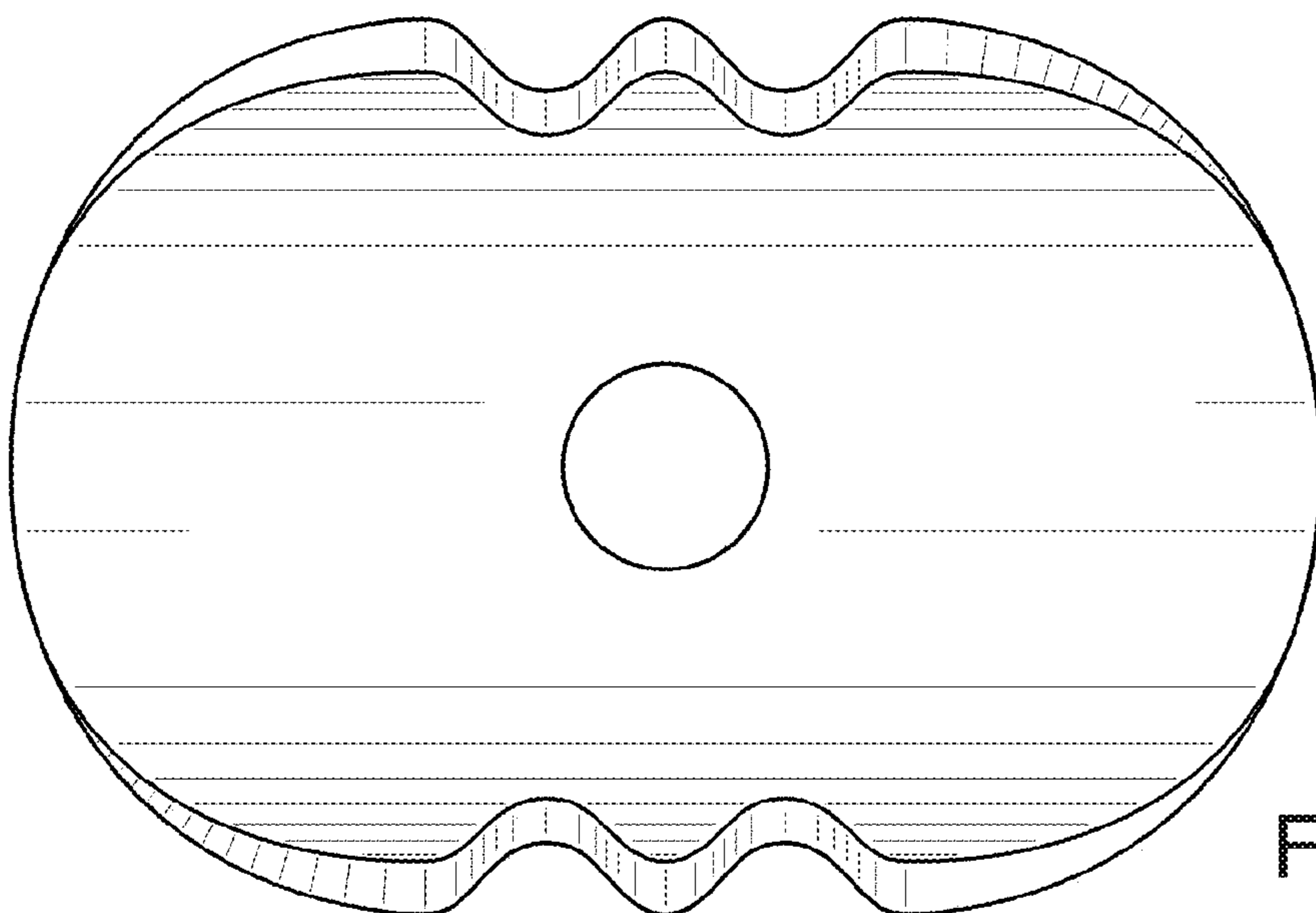


FIG. 9