



US00D870543S

(12) **United States Design Patent** (10) **Patent No.:** **US D870,543 S**
Peyton et al. (45) **Date of Patent:** **** *Dec. 24, 2019**

- (54) **POST-FENCE CONNECTOR** 5,575,580 A * 11/1996 Parrish E04H 17/1413
248/219.4
- (71) Applicant: **ORIGIN POINT BRANDS, LLC,** D378,659 S * 4/1997 Blennov D8/396
North Charleston, SC (US) D392,553 S * 3/1998 Dill D8/380
5,785,447 A * 7/1998 Fonti E04H 17/1413
248/219.4
- (72) Inventors: **Basil C Peyton,** Duluth, GA (US); D411,440 S * 6/1999 Stahel D8/396
Duane E Langenwalter, Monroe, CT D448,657 S * 10/2001 Calvert D8/394
(US) D495,434 S * 8/2004 Cooper D25/133
D534,792 S * 1/2007 Cooper D25/133
- (73) Assignee: **Origin Point Brands, LLC,** North D557,129 S * 12/2007 Jones D8/382
Charleston, SC (US) D564,868 S * 3/2008 Terada D8/382
D604,381 S * 11/2009 Miller D22/107
D672,225 S * 12/2012 Virnig D8/373
- (*) Notice: This patent is subject to a terminal dis- D700,504 S * 3/2014 Blocker D8/367
claimer. D719,821 S * 12/2014 McGrath D8/382
D784,704 S * 4/2017 Gutow D4/127
- (**) Term: **15 Years** 2002/0158171 A1 * 10/2002 Karlinger B25J 19/0025
248/49

(Continued)

- (21) Appl. No.: **29/567,116**
- (22) Filed: **Jun. 6, 2016**
- (51) **LOC (12) Cl.** **08-08**
- (52) **U.S. Cl.**
USPC **D8/382**
- (58) **Field of Classification Search**
USPC D8/349, 354, 367, 382, 394, 395, 396,
D8/499; D25/133
CPC ... E04H 2017/006; E04H 17/04; E04H 17/06;
E04H 17/1421; E04H 2017/1465; E04H
17/24; E04H 2017/1482; E04H
2017/1473; E04H 2017/1469; E04H
2017/1478; E04H 2017/1491
See application file for complete search history.

Primary Examiner — Sandra S Snapp
Assistant Examiner — Ieisha N. Price
(74) *Attorney, Agent, or Firm* — Parker Poe Adams and
Bernstein, LP

(57) **CLAIM**

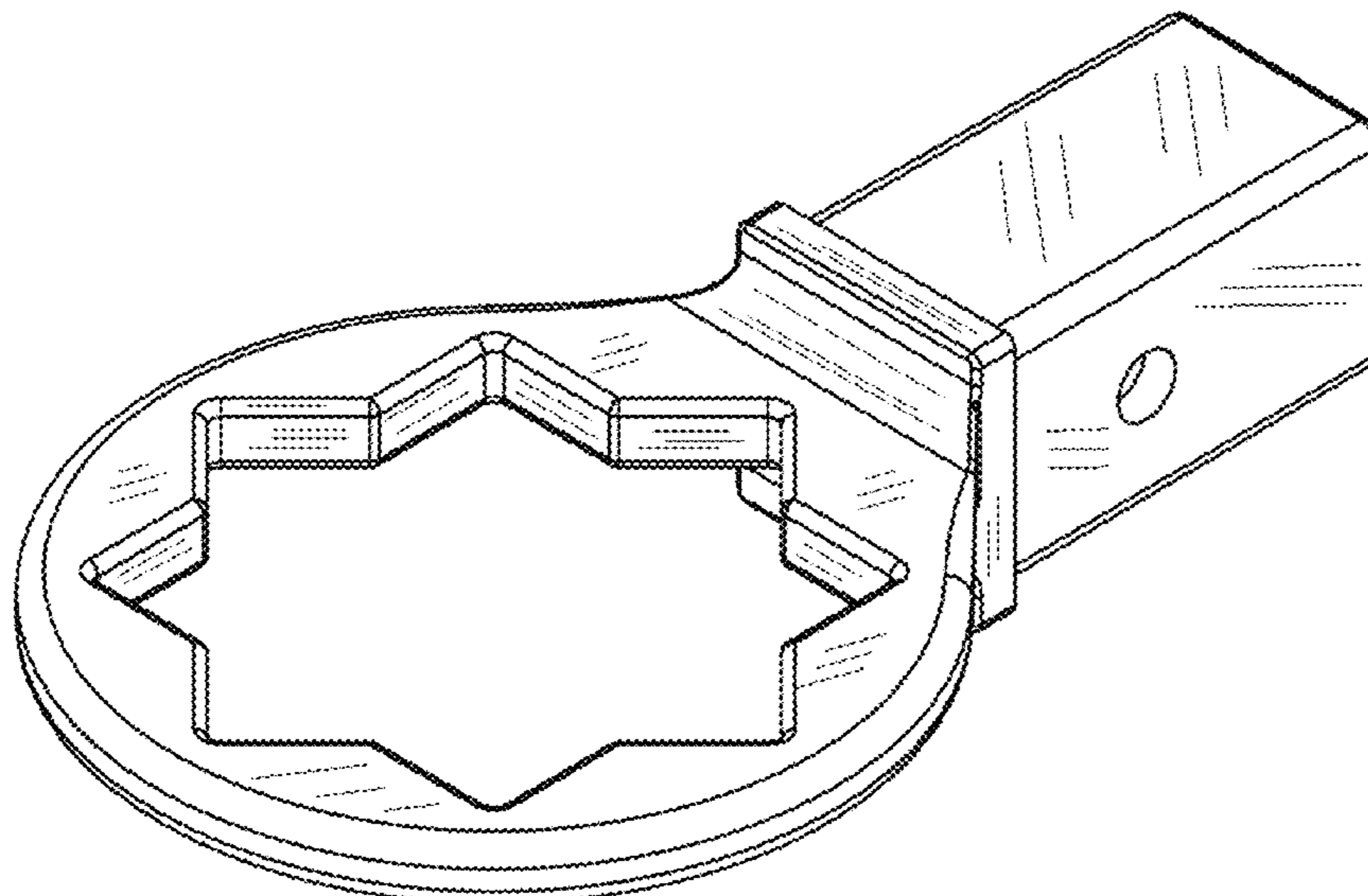
The ornamental design for a post-fence connector, as shown and described.

DESCRIPTION

FIG. 1 is a front, side, upper perspective view of the present invention;
FIG. 2 is a top plan view thereof;
FIG. 3 is a front elevation view thereof;
FIG. 4 is a right side elevation view thereof;
FIG. 5 is a left side elevation view thereof;
FIG. 6 is a back elevation view thereof; and,
FIG. 7 is a bottom plan view thereof.
The broken lines in the drawings illustrate portions of the post-fence connector and form no part of the claimed design.

- (56) **References Cited**
U.S. PATENT DOCUMENTS
3,273,837 A * 9/1966 Willert F16L 3/11
248/317
D216,671 S * 3/1970 Turner D8/396
D216,948 S * 3/1970 Turner D23/265
D272,987 S * 3/1984 Allen D8/354
D354,432 S * 1/1995 Starman D8/382

1 Claim, 7 Drawing Sheets



(56)

References Cited

U.S. PATENT DOCUMENTS

2015/0123061 A1 * 5/2015 Walters E04H 17/1421
256/21

* cited by examiner

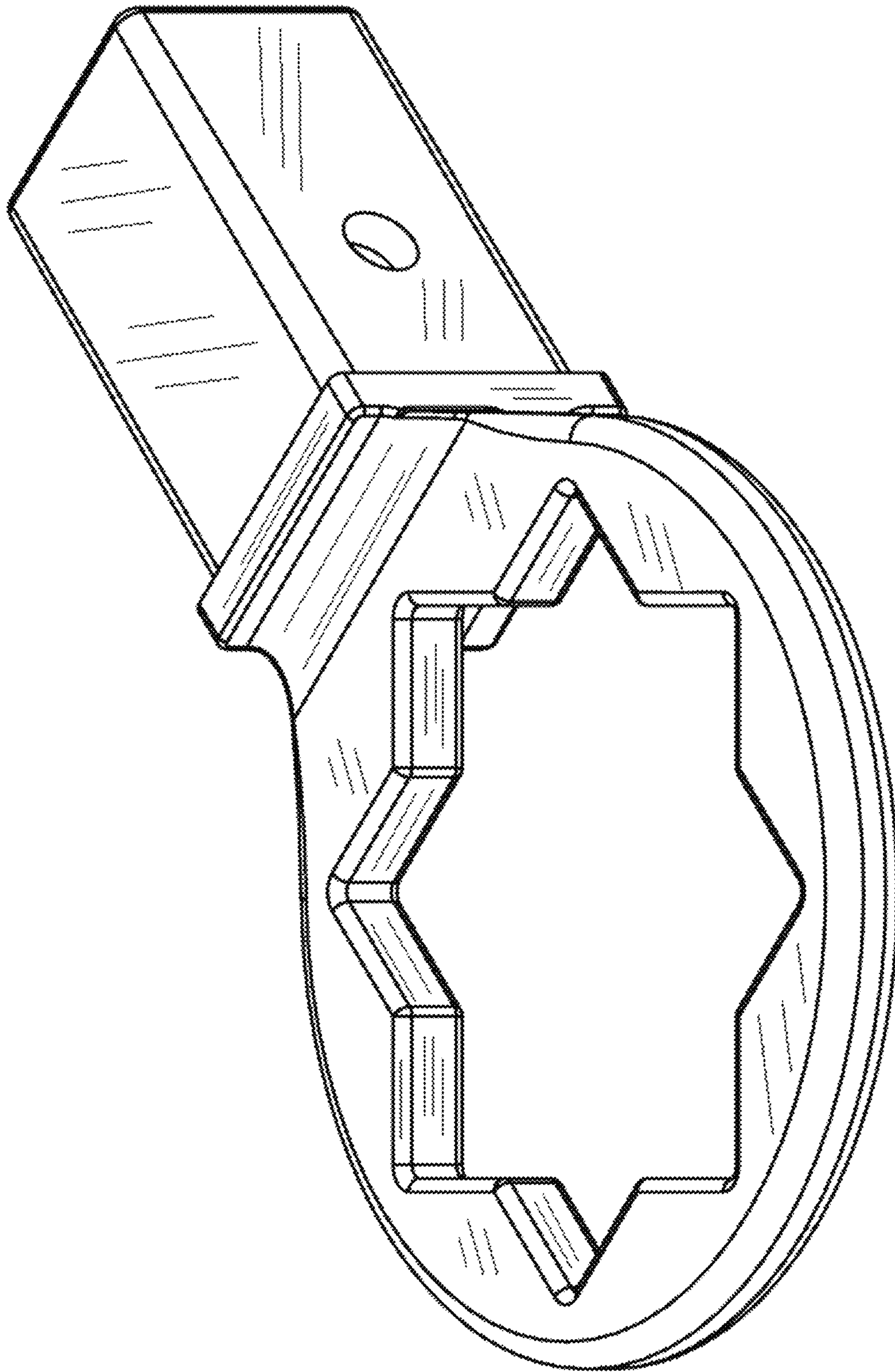


Fig. 1

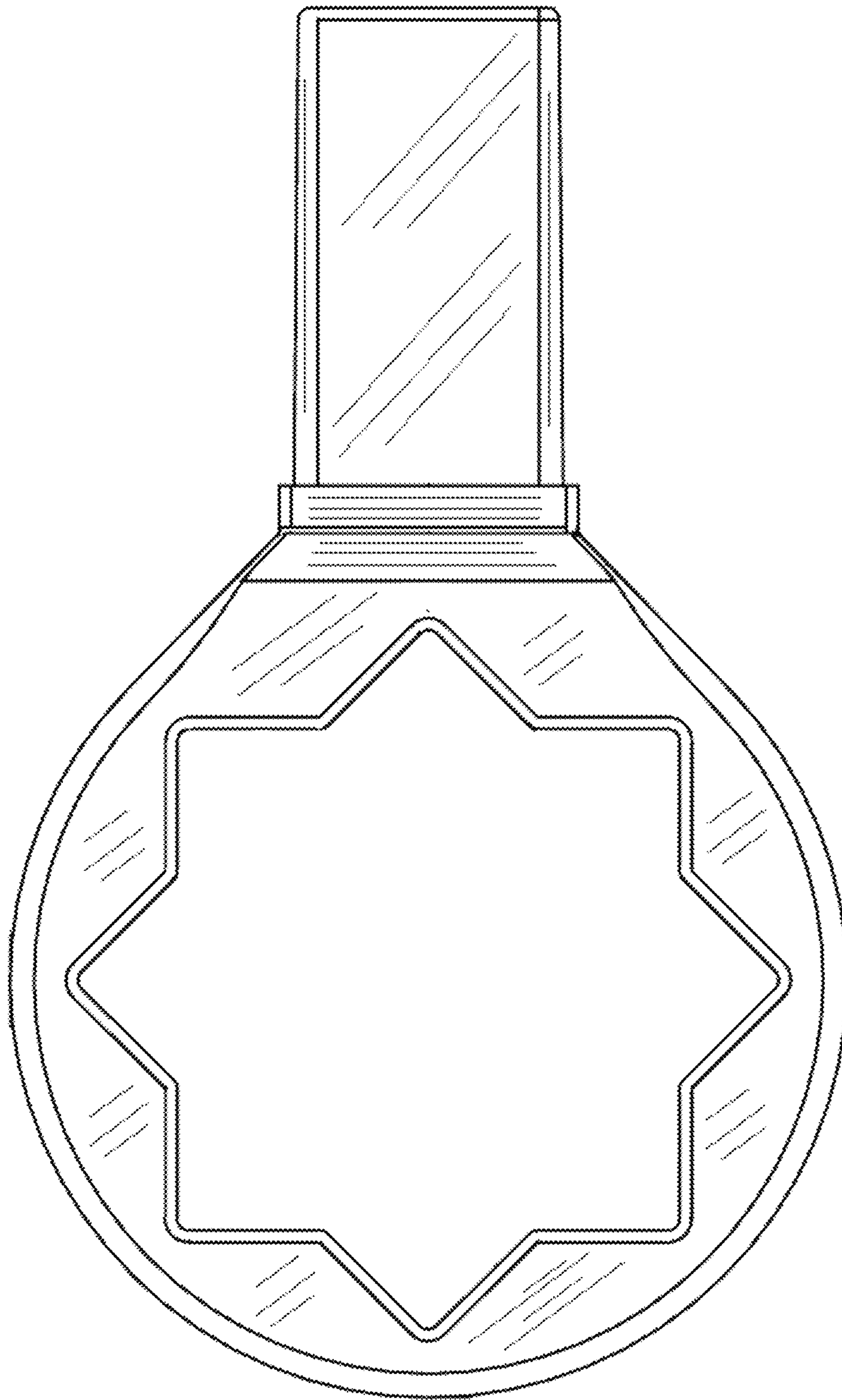


Fig. 2

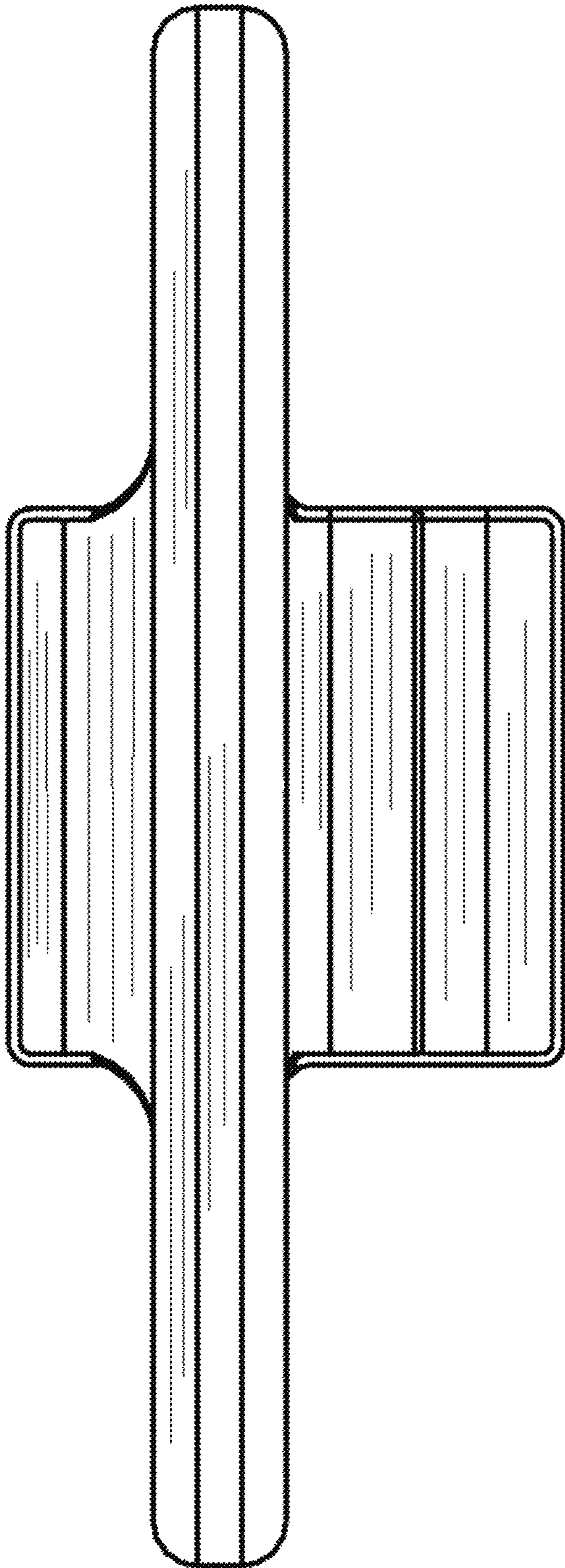


Fig. 3

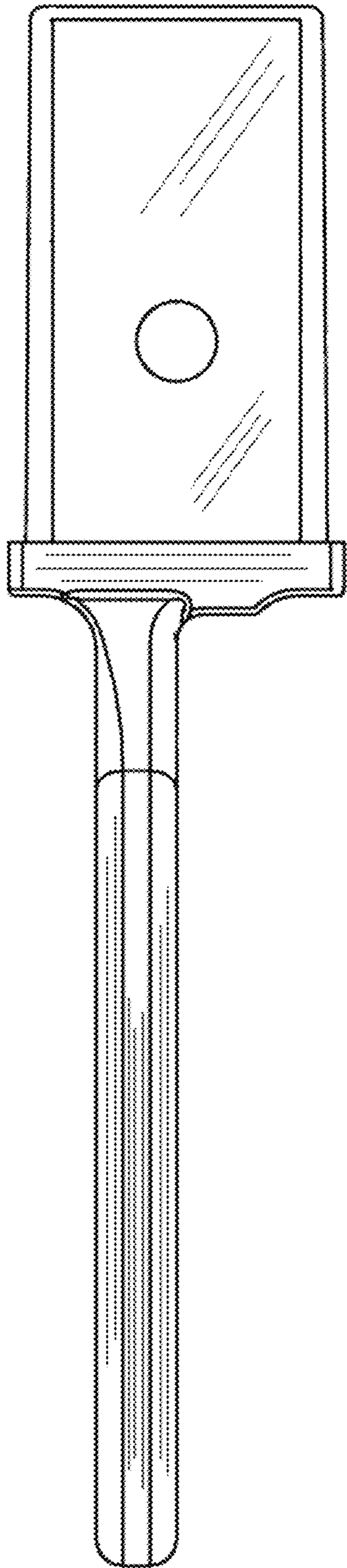


Fig. 4

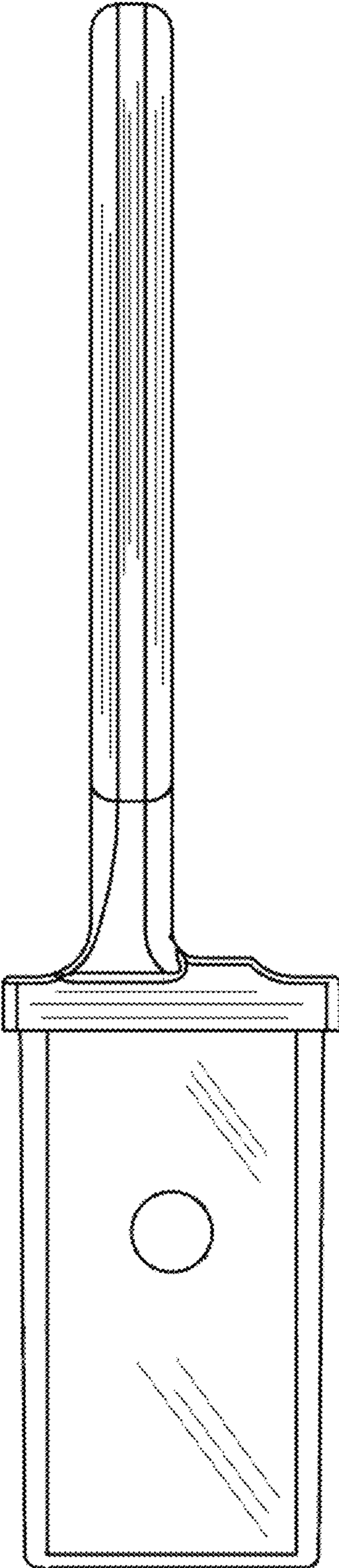


Fig. 5

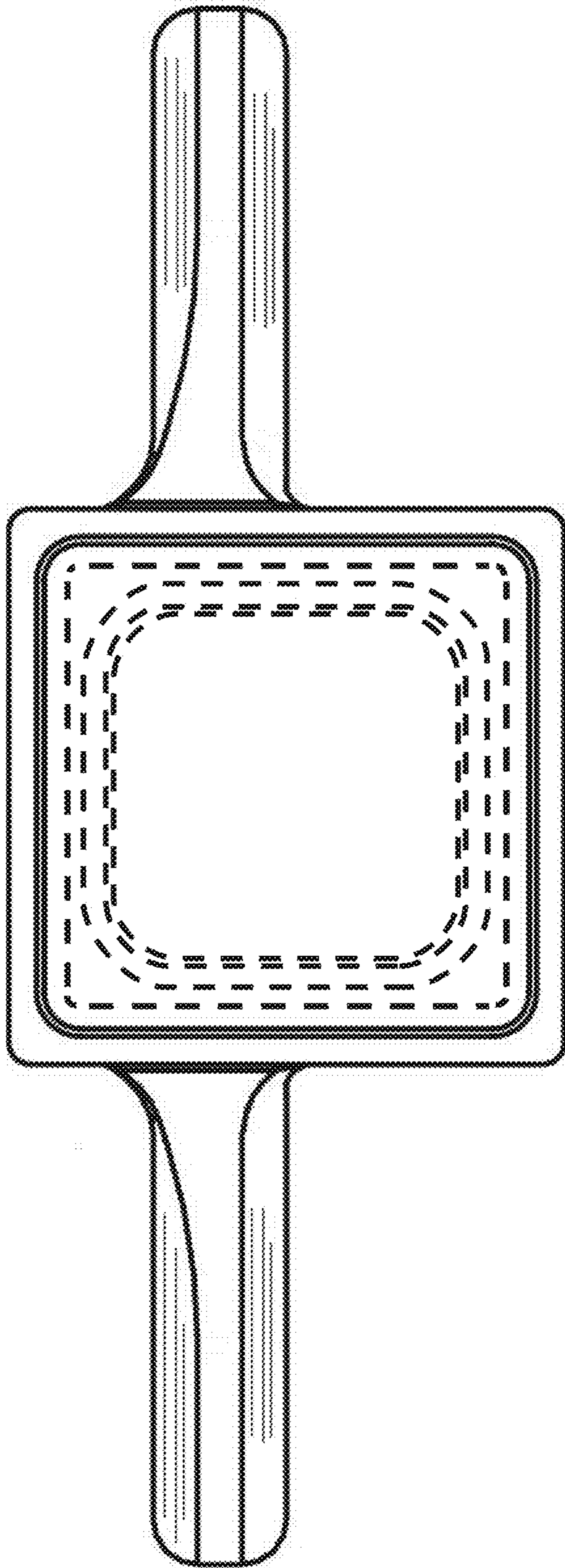


Fig. 6

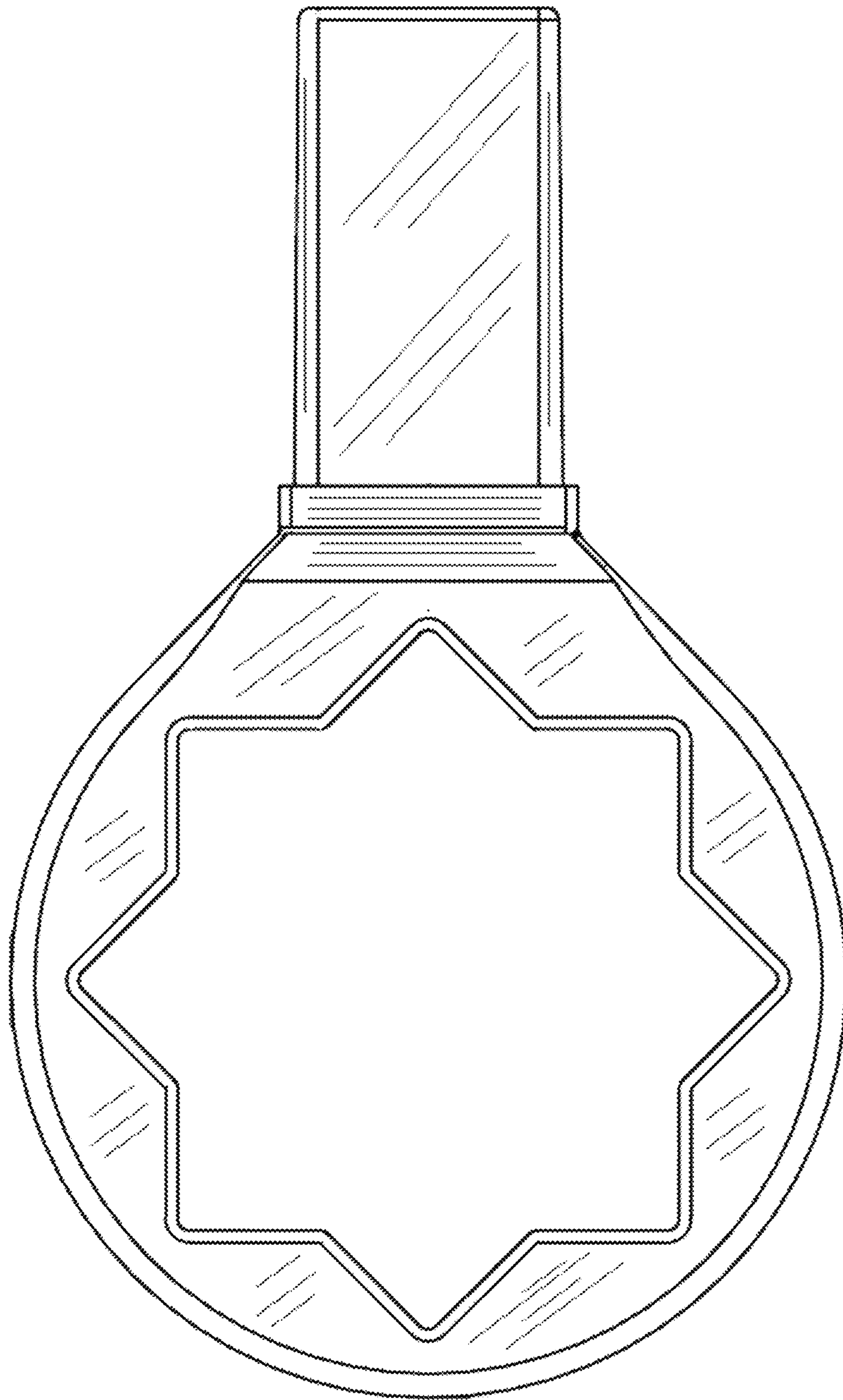


Fig. 7