



US00D870542S

(12) **United States Design Patent** (10) **Patent No.:** **US D870,542 S**
Gibson (45) **Date of Patent:** **** Dec. 24, 2019**

(54) **UNDERDECK HANGER LATCH**
(71) Applicant: **George Raymond Gibson**, Kingston, GA (US)
(72) Inventor: **George Raymond Gibson**, Kingston, GA (US)
(**) Term: **15 Years**
(21) Appl. No.: **29/639,524**
(22) Filed: **Mar. 7, 2018**
(51) **LOC (12) Cl.** **08-05**
(52) **U.S. Cl.**
USPC **D8/380**
(58) **Field of Classification Search**
USPC D8/380, 349, 363, 366, 367, 371, 383, D8/385, 354
CPC E04F 17/00; E04F 15/02447
See application file for complete search history.

D699,097 S * 2/2014 Chung D8/354
D714,626 S * 10/2014 Trifari D8/354
D779,312 S * 2/2017 Stanley D26/138
D819,427 S * 6/2018 Mercaldi D8/354
D823,675 S * 7/2018 Dammann D8/380
2005/0188507 A1* 9/2005 Adams A47G 25/0614
16/416

* cited by examiner

Primary Examiner — Lakiya G Rogers
Assistant Examiner — Harold E Blackwell, II
(74) *Attorney, Agent, or Firm* — Walter A. Rodgers

(57) **CLAIM**

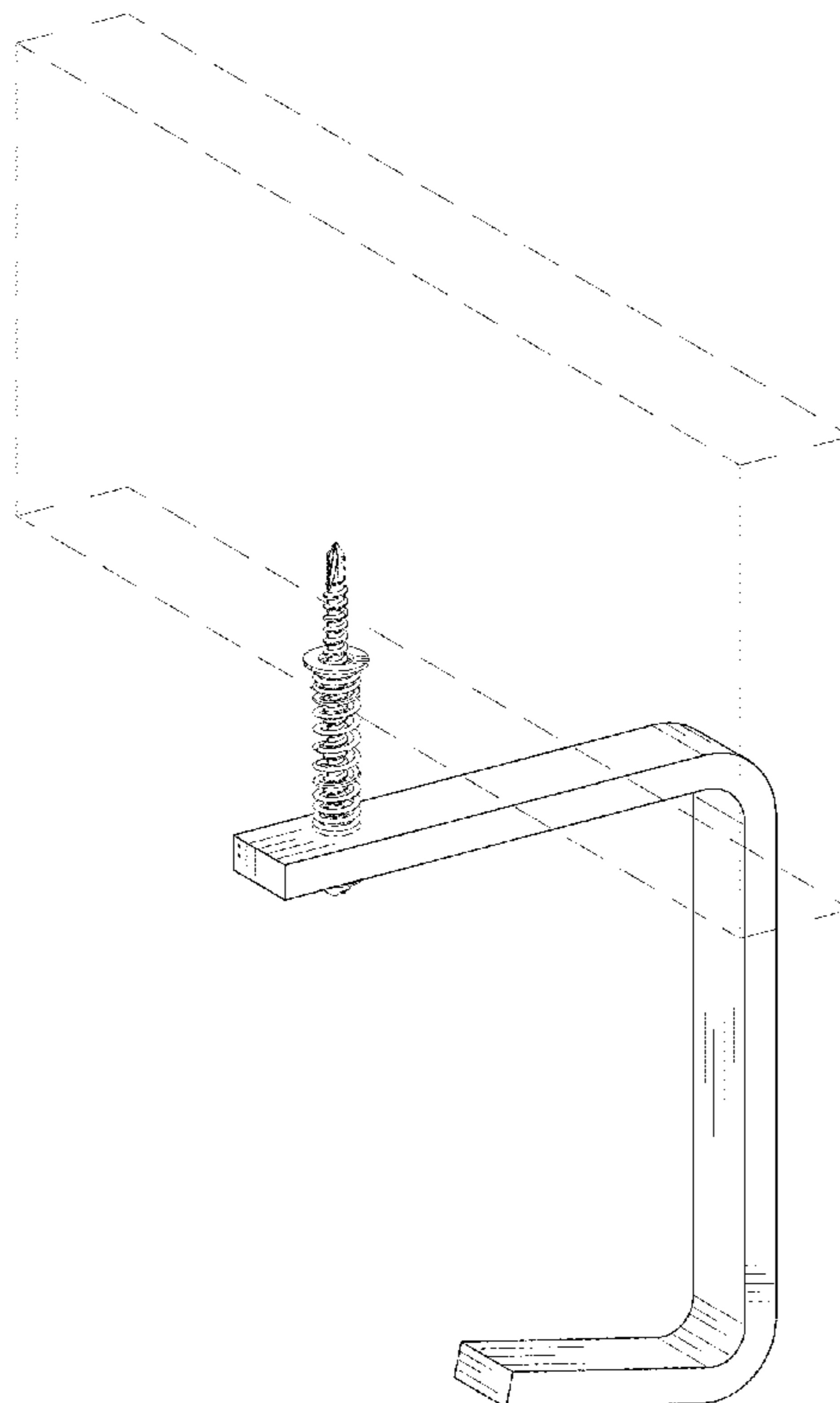
The ornamental design for an underdeck hanger latch, as shows and described.

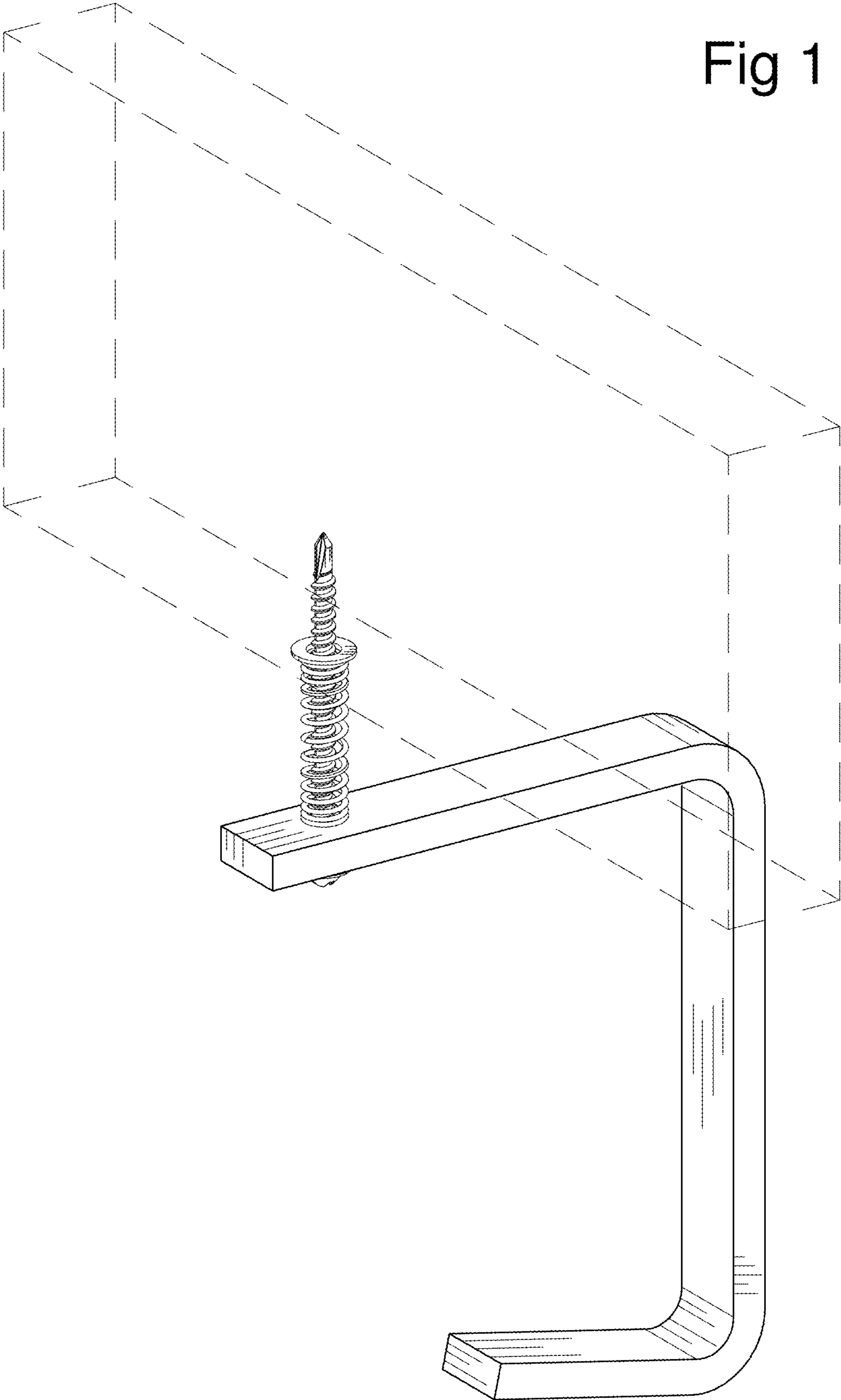
DESCRIPTION

FIG. 1 is a perspective view of an underdeck hanger latch showing my new design;
FIG. 2 is a top plan view thereof;
FIG. 3 is a bottom plan view thereof;
FIG. 4 is a front elevation thereof, the rear being a mirror image thereof;
FIG. 5 is a left-side thereof; and,
FIG. 6 is a right-side elevation thereof.
The broken lines in the drawings depict environmental subject matter only and form no part of the claimed design.

1 Claim, 5 Drawing Sheets

(56) **References Cited**
U.S. PATENT DOCUMENTS
4,584,813 A * 4/1986 Hudson E04B 1/2612
248/214
D305,299 S * 1/1990 Freeman 248/214
D494,050 S * 8/2004 Klein D6/513
D494,051 S * 8/2004 Klein D8/373
D494,454 S * 8/2004 Klein D8/373
7,887,017 B2 * 2/2011 Moran B44C 5/00
248/215
8,250,821 B1 * 8/2012 Gibson E04F 17/00
52/11





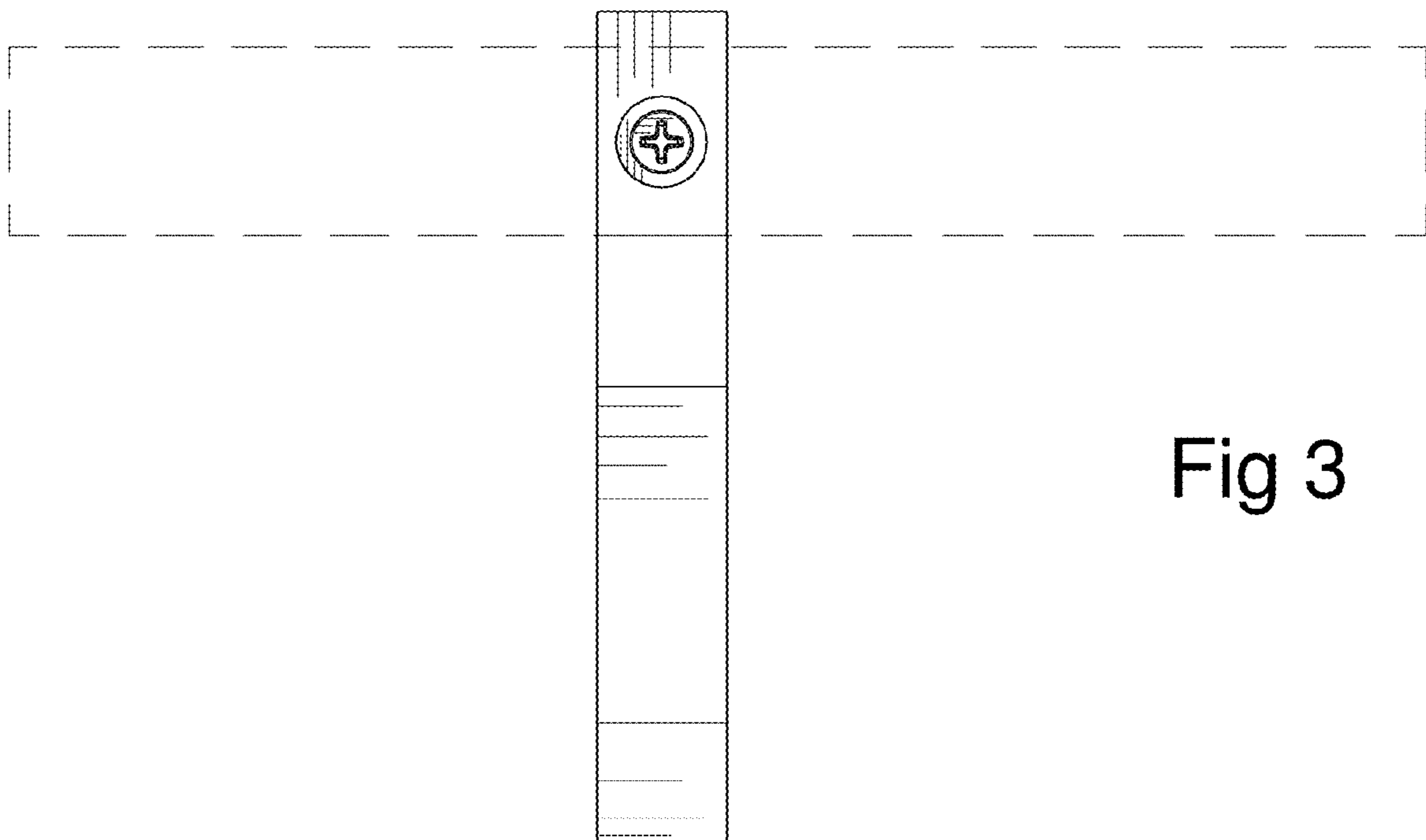
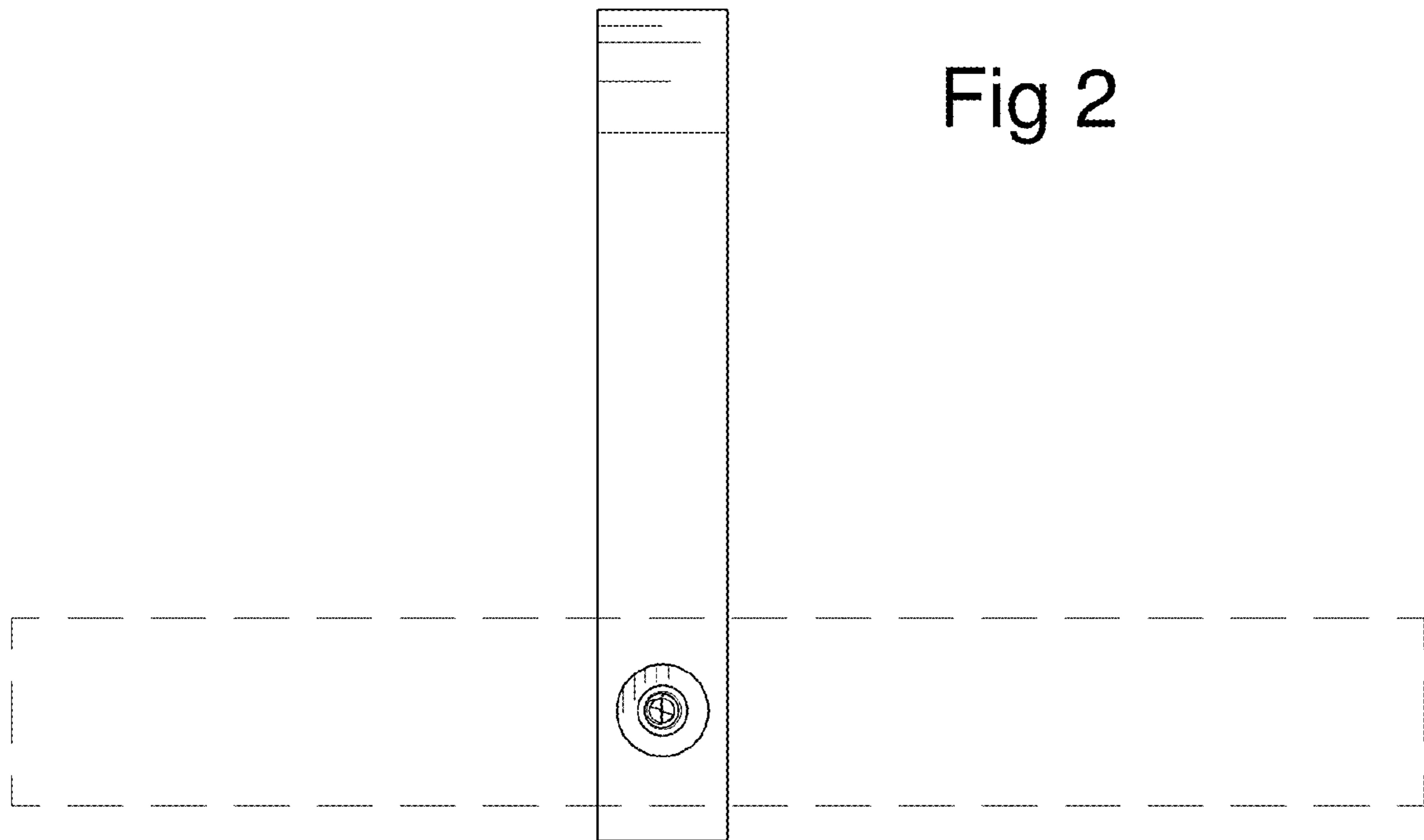
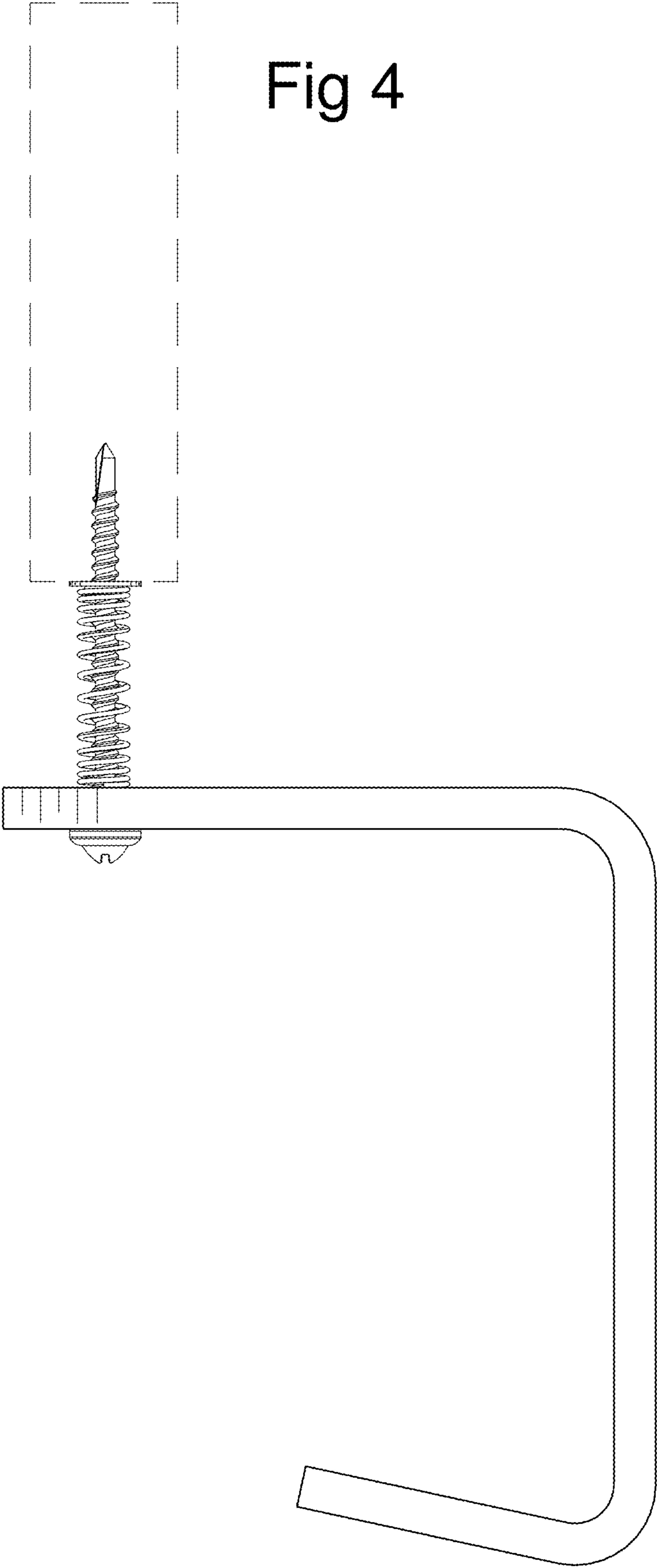


Fig 4



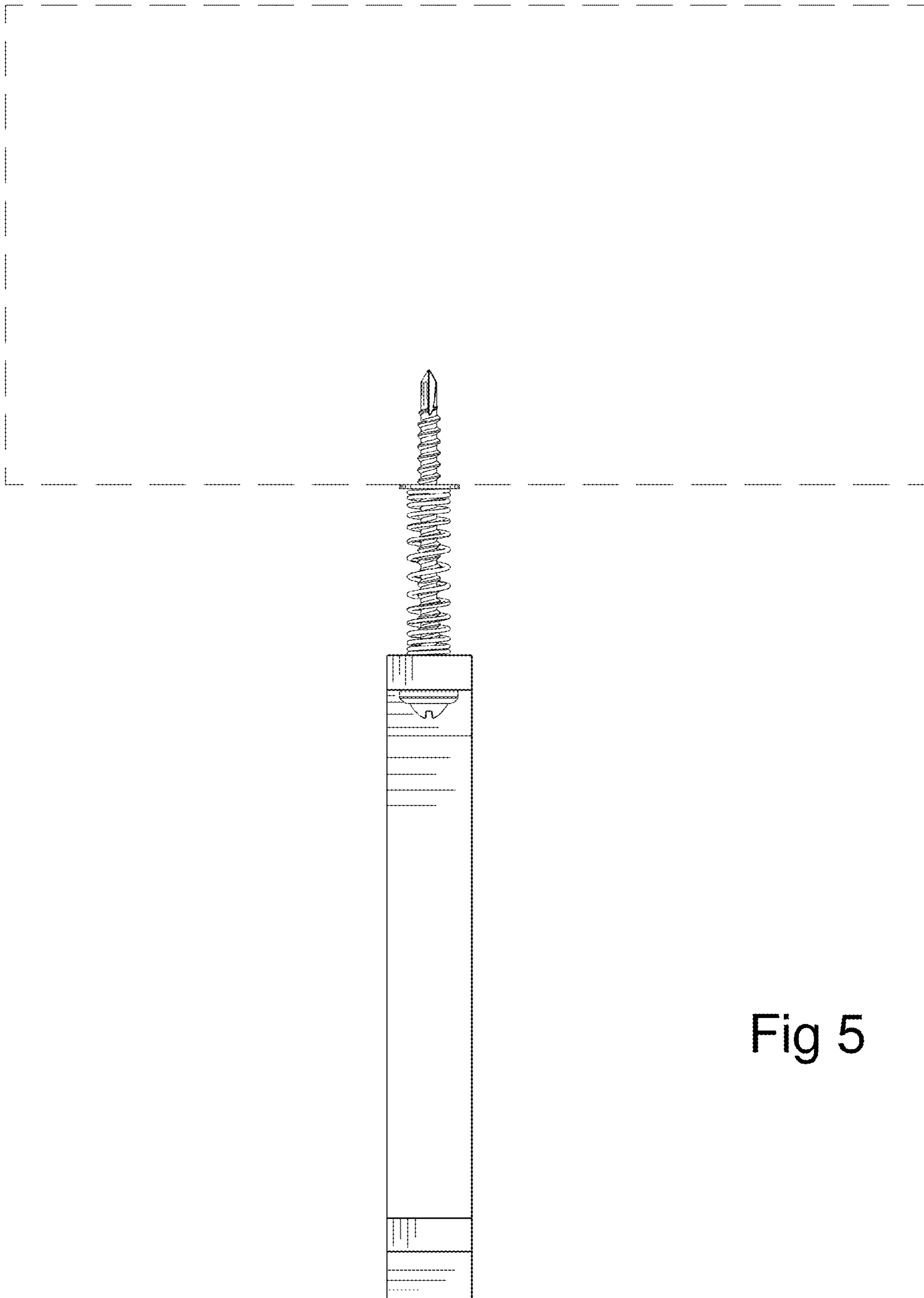


Fig 5

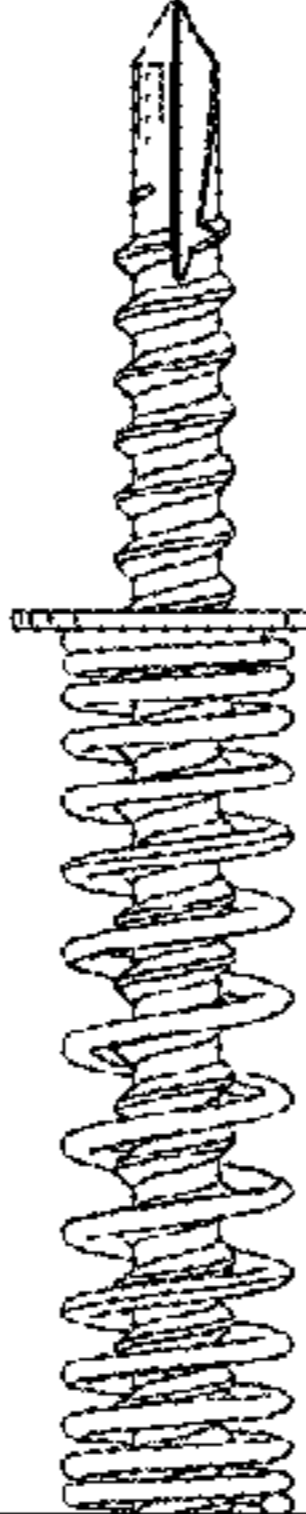
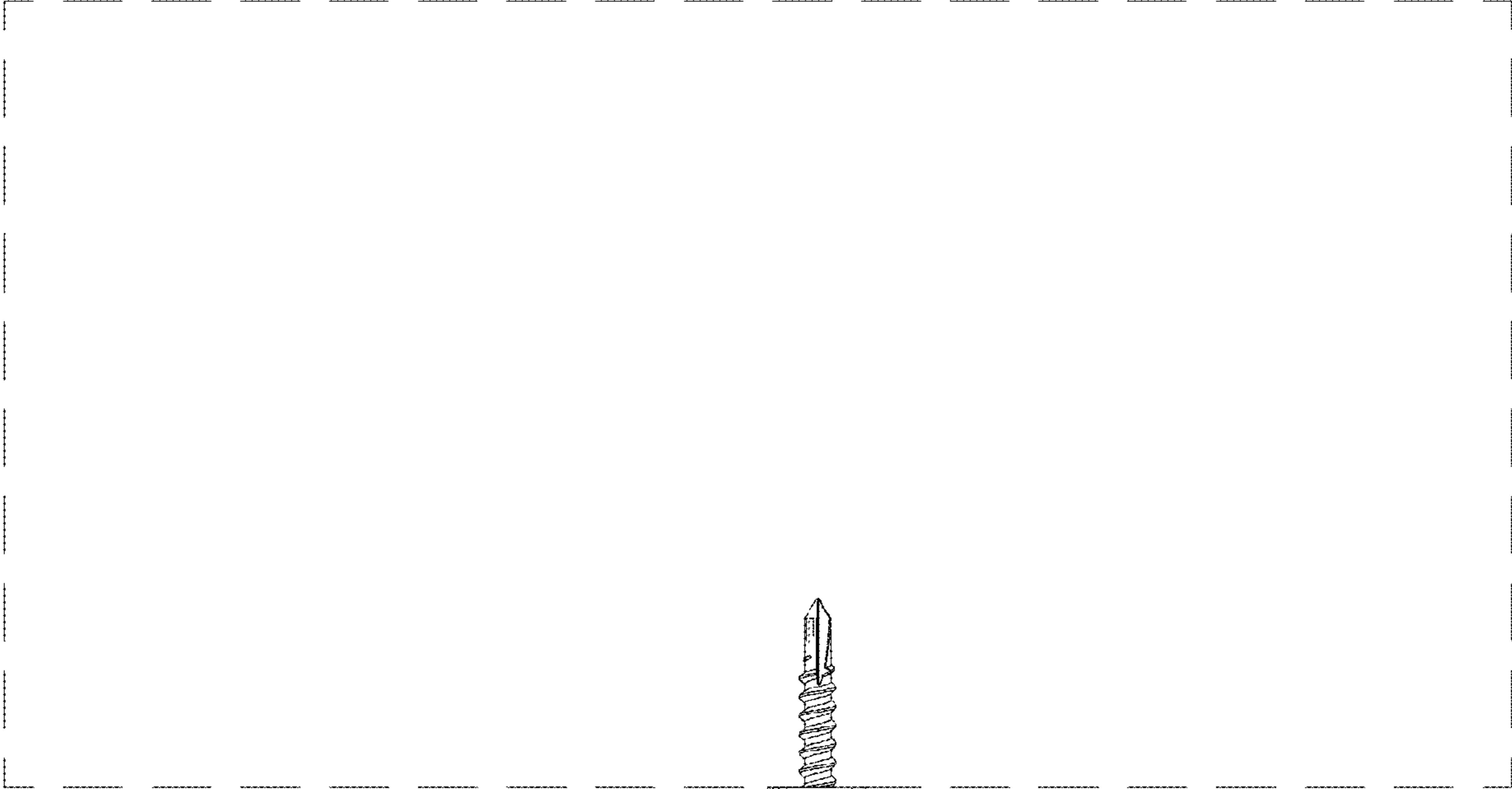


Fig 6