



US00D870541S

(12) **United States Design Patent** (10) **Patent No.:** **US D870,541 S**  
**Chen** (45) **Date of Patent:** **\*\* Dec. 24, 2019**

(54) **MIDDLE SLIDE RAIL OF A SLIDE RAIL ASSEMBLY**

(71) Applicant: **GSLIDE CORPORATION**, New Taipei (TW)

(72) Inventor: **Yung-Liang Chen**, Taipei Shien (TW)

(73) Assignee: **GSlide Corporation** (TW)

(\*\*) Term: **15 Years**

(21) Appl. No.: **29/618,801**

(22) Filed: **Sep. 25, 2017**

(30) **Foreign Application Priority Data**

Apr. 24, 2017 (TW) ..... 106113609

(51) **LOC (12) Cl.** ..... **08-05**

(52) **U.S. Cl.**  
USPC ..... **D8/377**

(58) **Field of Classification Search**  
USPC ..... D8/380, 363, 373, 377, 381, 354, 374;  
D25/119, 121, 123, 124, 136, 164, 125  
CPC ..... A47B 88/473; A47B 88/487; A47B 88/57;  
A47B 88/49; F16C 29/04; F16C 29/048;  
F16C 29/10; F16C 29/045

See application file for complete search history.

(56) **References Cited**

**U.S. PATENT DOCUMENTS**

D204,889 S \* 5/1966 Gingher ..... D8/377  
D252,793 S \* 9/1979 Toder ..... D25/119  
D316,311 S \* 4/1991 Freed ..... D25/119  
D323,088 S \* 1/1992 Fler ..... D25/119  
D335,624 S \* 5/1993 Siener ..... D25/123  
D380,281 S \* 6/1997 Menz ..... D25/121  
D388,182 S \* 12/1997 Payton ..... D25/121  
D425,734 S \* 5/2000 Bauer ..... D8/377  
D427,325 S \* 6/2000 Ginzler ..... D25/119  
D427,326 S \* 6/2000 Bevan ..... D25/121

D429,347 S \* 8/2000 Doyle ..... D25/124  
D432,671 S \* 10/2000 Grosfillex ..... D25/119  
D432,673 S \* 10/2000 Grosfillex ..... D25/124  
D433,514 S \* 11/2000 Grosfillex ..... D25/124  
D582,569 S \* 12/2008 Moreau ..... D25/119  
D627,717 S \* 11/2010 Munoz ..... D13/102  
D636,656 S \* 4/2011 Schaefer ..... D25/122  
D692,593 S \* 10/2013 Hanser ..... D25/124  
D700,379 S \* 2/2014 Sid ..... D26/24  
D711,552 S \* 8/2014 Singh ..... D25/119  
D712,935 S \* 9/2014 Meyer ..... D15/28  
D736,268 S \* 8/2015 Meyer ..... D15/28  
D771,232 S \* 11/2016 Coon ..... D23/393  
9,670,956 B2 6/2017 Judge  
D805,417 S \* 12/2017 Thompson ..... D10/121

(Continued)

**FOREIGN PATENT DOCUMENTS**

TW M286559 1/2006

*Primary Examiner* — Eliza Z Bennett-Hattan

(74) *Attorney, Agent, or Firm* — Cook Alex Ltd.

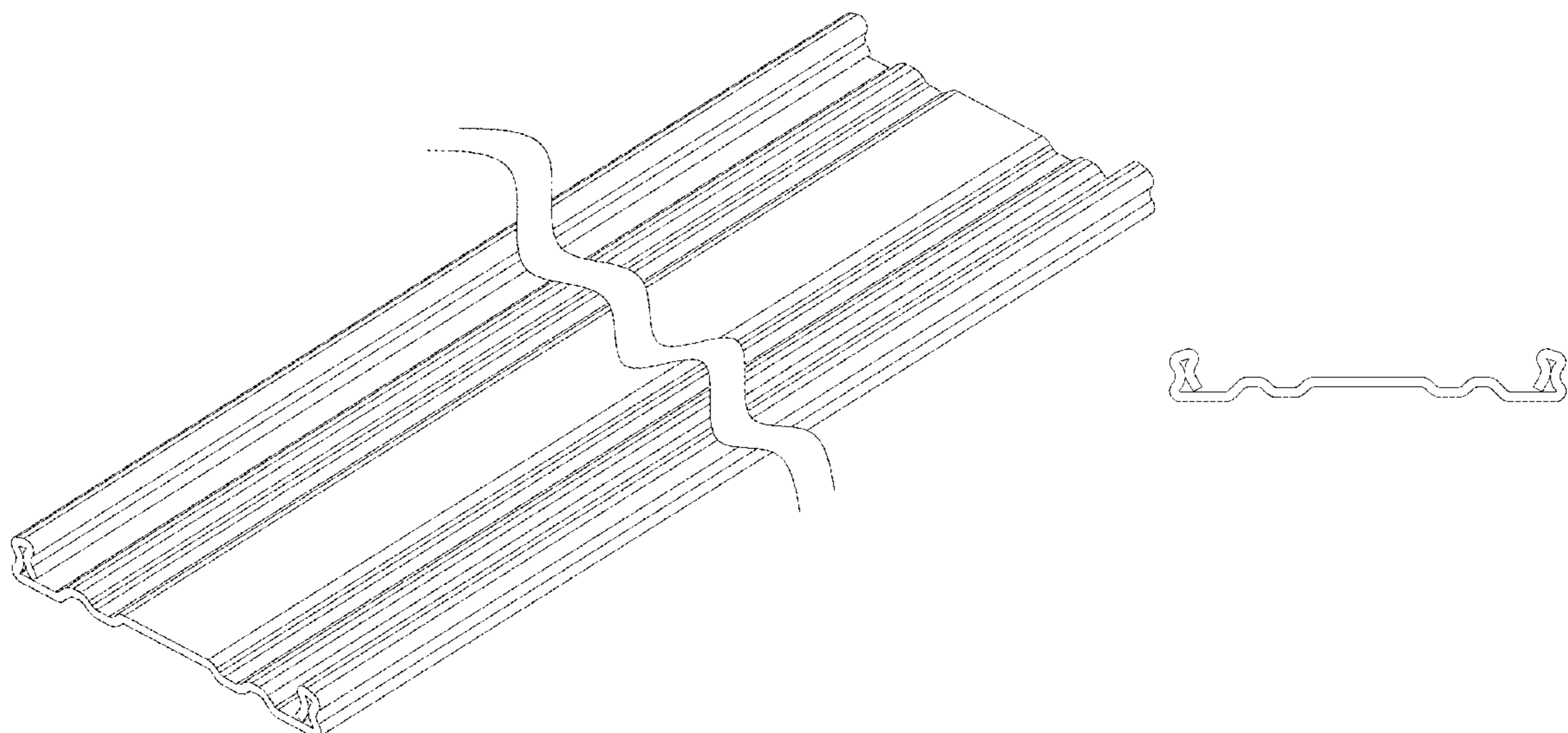
(57) **CLAIM**

The ornamental design for a middle rail of a slide rail assembly, as shown and described.

**DESCRIPTION**

FIG. 1 is a perspective view of a middle rail of a slide rail assembly showing my new design;  
FIG. 2 is a front elevational view thereof, the rear elevational view being a mirror image thereof;  
FIG. 3 is a left side elevational view thereof, the right side elevational view being a mirror image thereof;  
FIG. 4 is a top plan view thereof; and,  
FIG. 5 is a bottom plan view thereof.  
The middle slide rail of a slide rail assembly is shown with a symbolic break in its length. The appearance of any portion of the article between the break lines forms no part of the claimed design.

**1 Claim, 4 Drawing Sheets**



(56)

**References Cited**

U.S. PATENT DOCUMENTS

D810,962 S *	2/2018	McGowan .....	D25/119
D811,204 S *	2/2018	Weldon .....	D8/377
D827,157 S *	8/2018	Schuit .....	D25/125
2003/0071548 A1 *	4/2003	Milligan .....	F16C 29/063
			312/334.11
2014/0265790 A1 *	9/2014	Hashemi .....	F16C 29/048
			312/334.8

\* cited by examiner

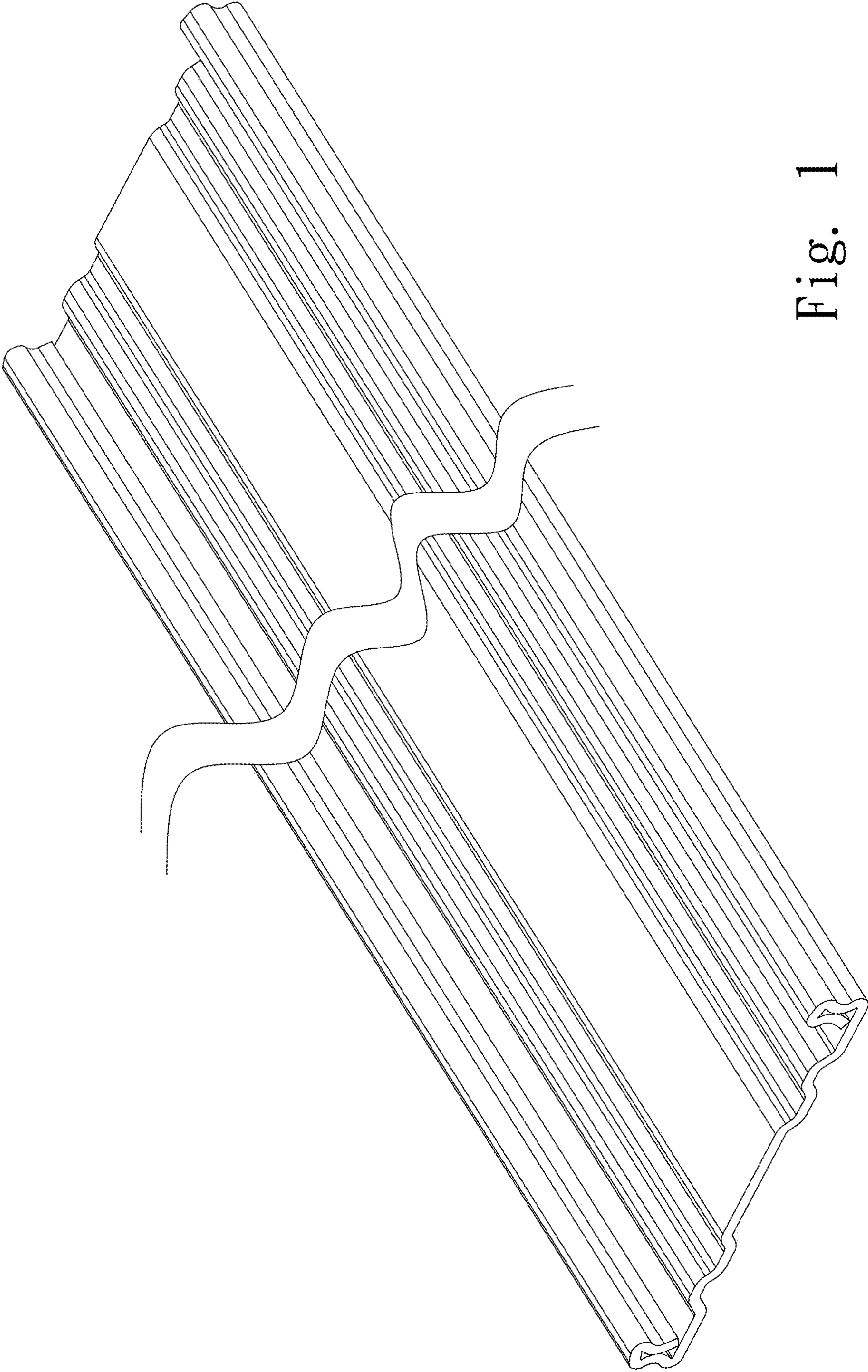


Fig. 1

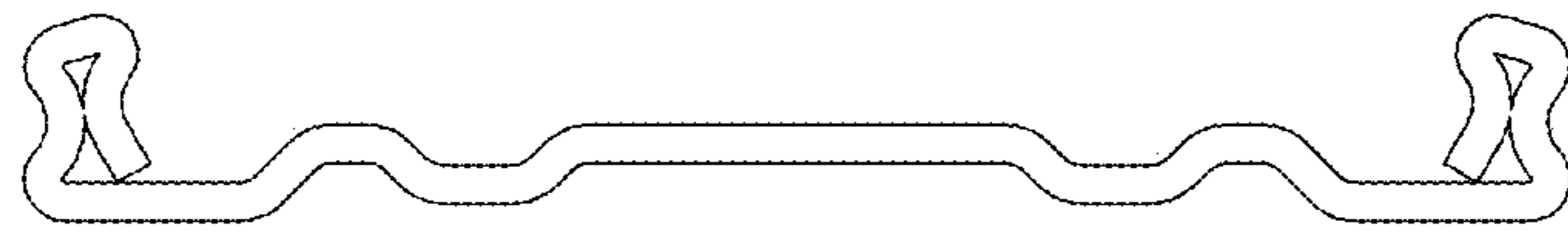


Fig. 2

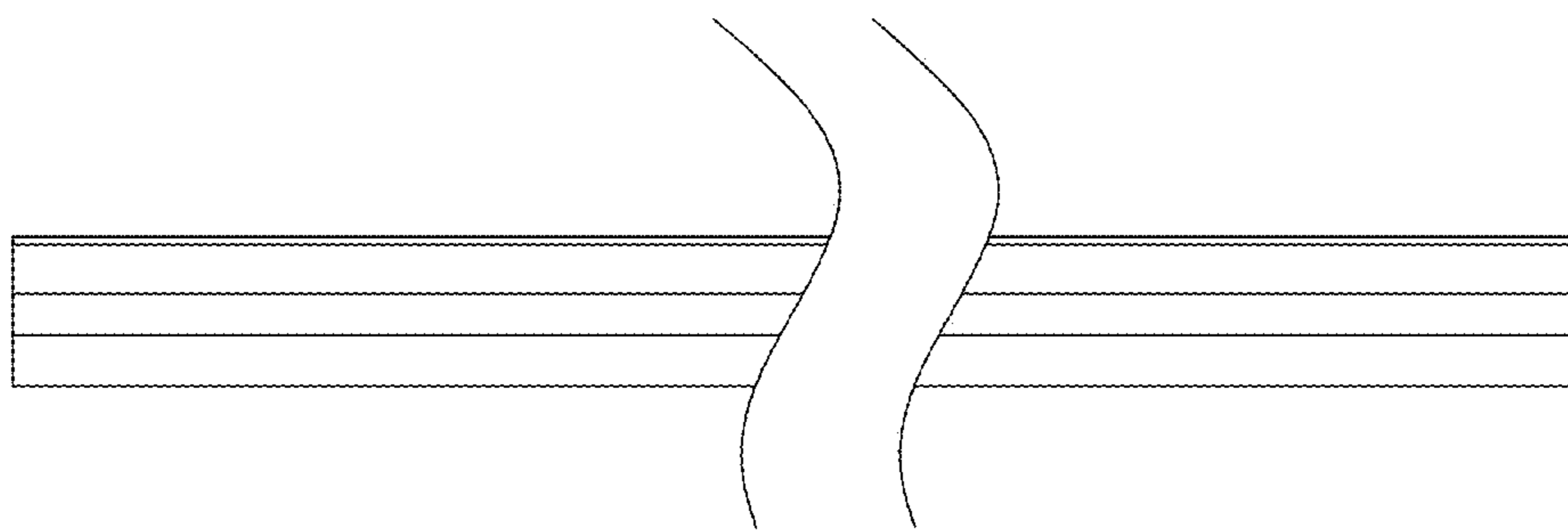


Fig. 3

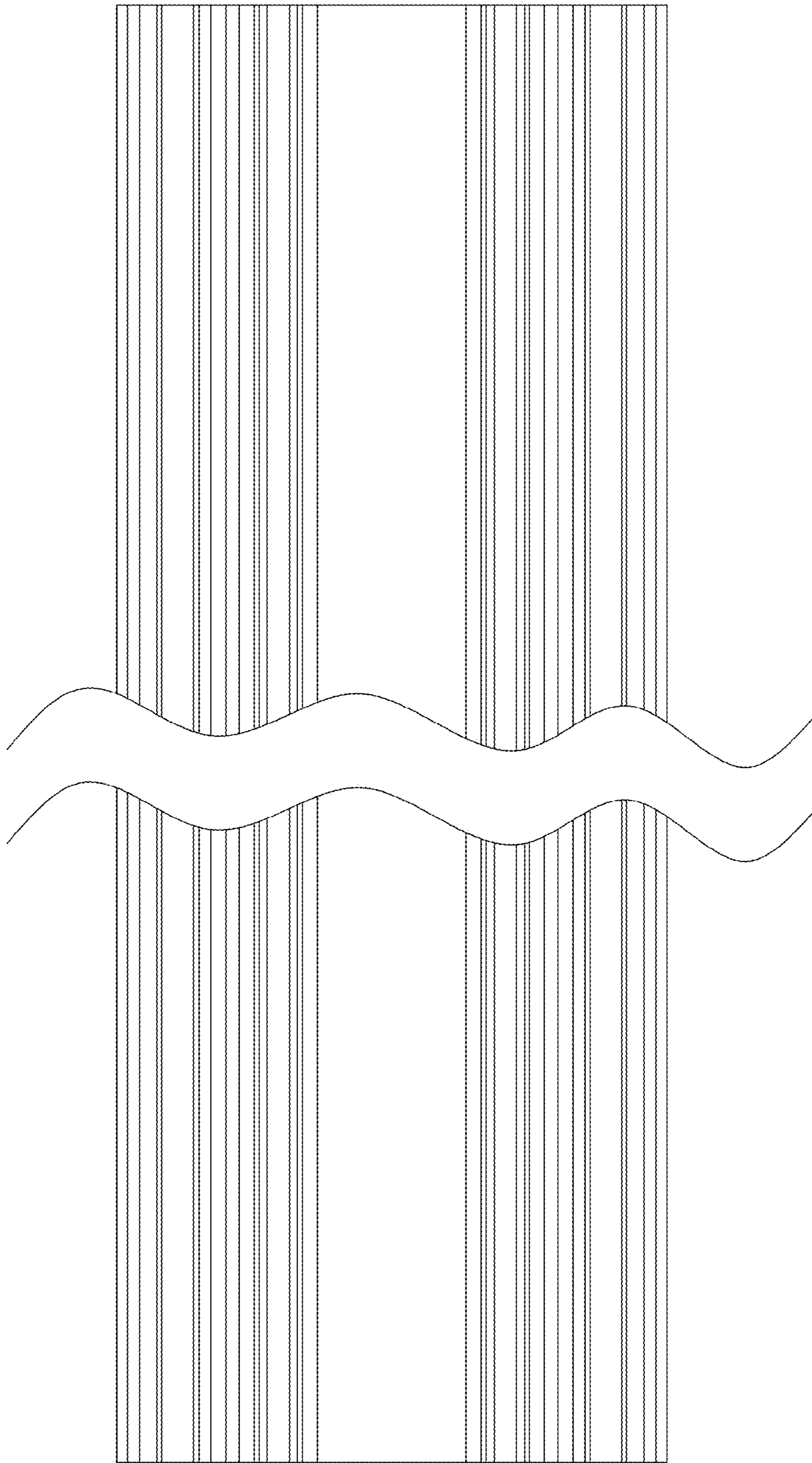


Fig. 4

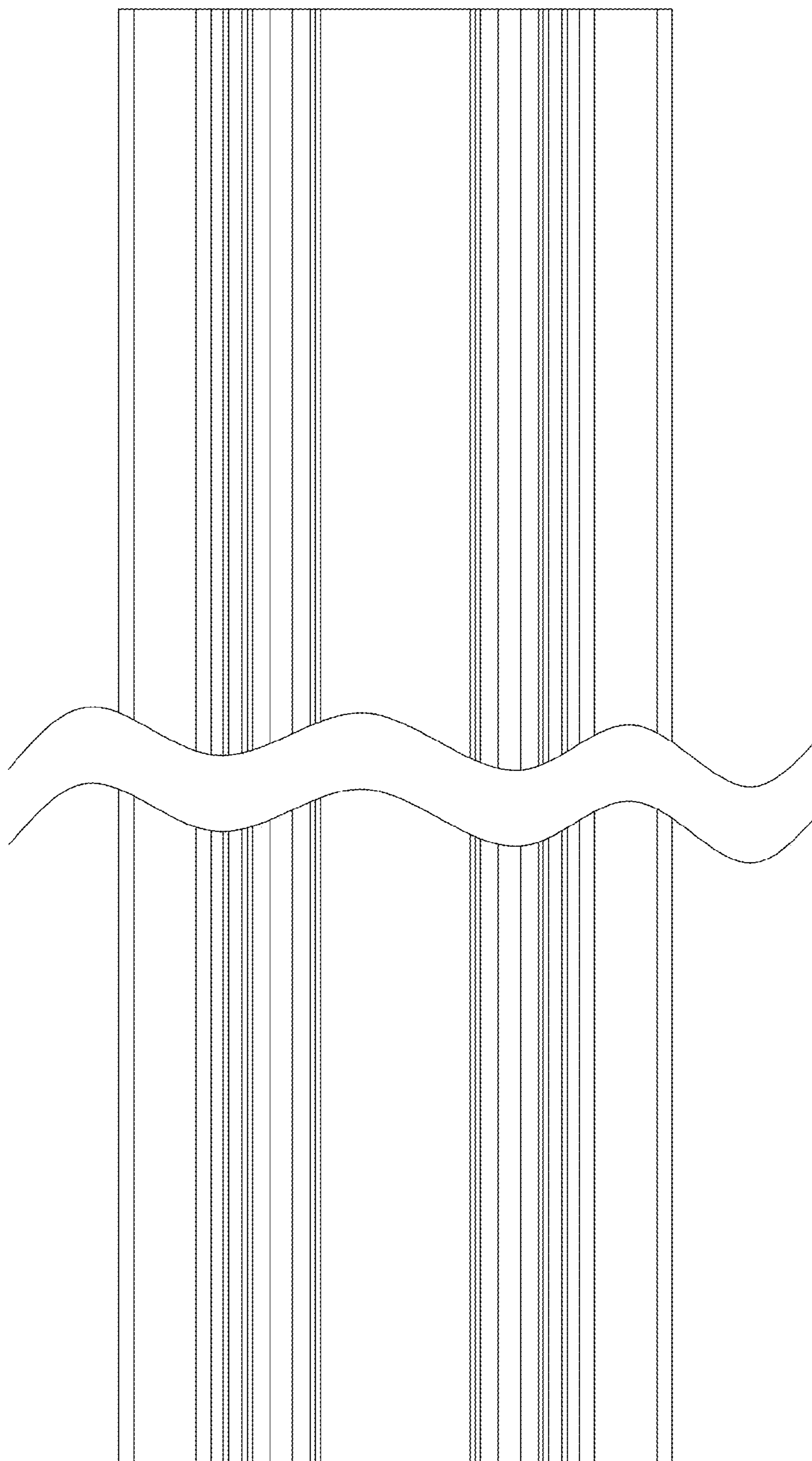


Fig. 5