



US00D870538S

(12) **United States Design Patent** (10) **Patent No.:** **US D870,538 S**  
**Blanchette et al.** (45) **Date of Patent:** **\*\* Dec. 24, 2019**

(54) **HOSE HANGER**  
(71) Applicant: **TEKNOR APEX COMPANY**,  
Pawtucket, RI (US)  
(72) Inventors: **Gil Blanchette**, E. Greenwich, RI (US);  
**Michael Melo**, Dartmouth, MA (US);  
**Timothy L. Chapman**, Stanton, TN  
(US)

(73) Assignee: **TEKNOR APEX COMPANY**,  
Pawtucket, RI (US)

(\*\*) Term: **15 Years**

(21) Appl. No.: **29/624,083**

(22) Filed: **Oct. 30, 2017**

(51) **LOC (12) Cl.** ..... **08-05**

(52) **U.S. Cl.**  
USPC ..... **D8/367**

(58) **Field of Classification Search**  
USPC ..... D8/367, 354, 394, 18, 105, 356;  
D11/208, 218; 248/341; D6/323  
CPC ..... F16M 13/02; A44B 13/0029; A45F 5/021;  
A45F 5/02; F16B 45/00; A47G 25/00;  
A47G 1/00

See application file for complete search history.

(56) **References Cited**

U.S. PATENT DOCUMENTS

741,922	A	10/1908	Muldoon	
1,886,882	A *	11/1932	Huber	A41F 7/00 24/336
2,747,823	A	5/1956	Swenholt	
3,029,933	A	4/1962	Sutter	
3,288,306	A	11/1966	Walters	
4,436,267	A	3/1984	Eads et al.	
D289,139	S *	4/1987	Chasen	D6/323
D289,255	S *	4/1987	Chasen	D6/323
D307,539	S *	5/1990	Goodman	D8/367
5,205,521	A	4/1993	Smith	

5,207,403	A *	5/1993	Penniman	B08B 17/04 248/215
D339,058	S *	9/1993	Greenhut et al.	D8/367
D345,497	S *	3/1994	Miller	D8/367
D361,930	S *	9/1995	Fillipp	D8/367
D390,014	S *	2/1998	Ho	D6/323
D393,412	S *	4/1998	Bries	D8/367
D417,385	S *	12/1999	Bries et al.	D8/367
6,325,342	B1 *	12/2001	Dignat	248/118
D462,254	S	9/2002	Wright et al.	

(Continued)

*Primary Examiner* — Cynthia R Underwood

(74) *Attorney, Agent, or Firm* — Hudak, Shunk & Farine  
Co. LPA

(57) **CLAIM**

The ornamental design for the hose hanger, as shown and described.

**DESCRIPTION**

FIG. 1 is a front right side slightly downward-looking perspective view of the hose hanger, as shown and described;

FIG. 2 is a front left side slightly downward-looking perspective view thereof;

FIG. 3 is a front view thereof;

FIG. 4 is a rear view thereof;

FIG. 5 is a left side view thereof;

FIG. 6 is a right side view thereof;

FIG. 7 is a rear right side slightly upward-looking perspective view thereof;

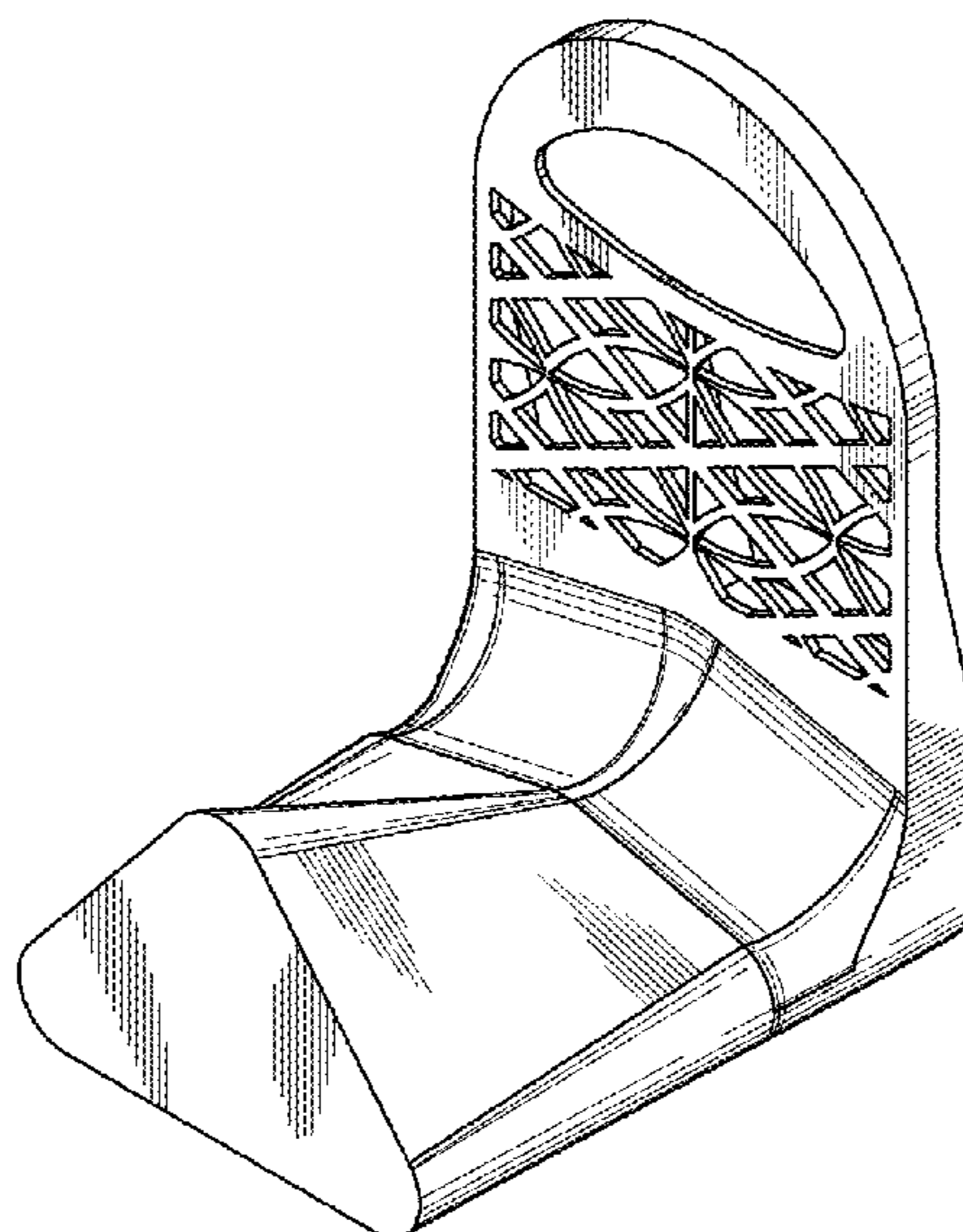
FIG. 8 is a rear left side slightly upward-looking perspective view thereof;

FIG. 9 is a top view thereof; and,

FIG. 10 is a bottom view thereof.

The broken lines represent unclaimed portions of the hose hanger, which are included for the purpose of illustrating unclaimed environmental structure only, and form no part of the claimed design.

**1 Claim, 5 Drawing Sheets**



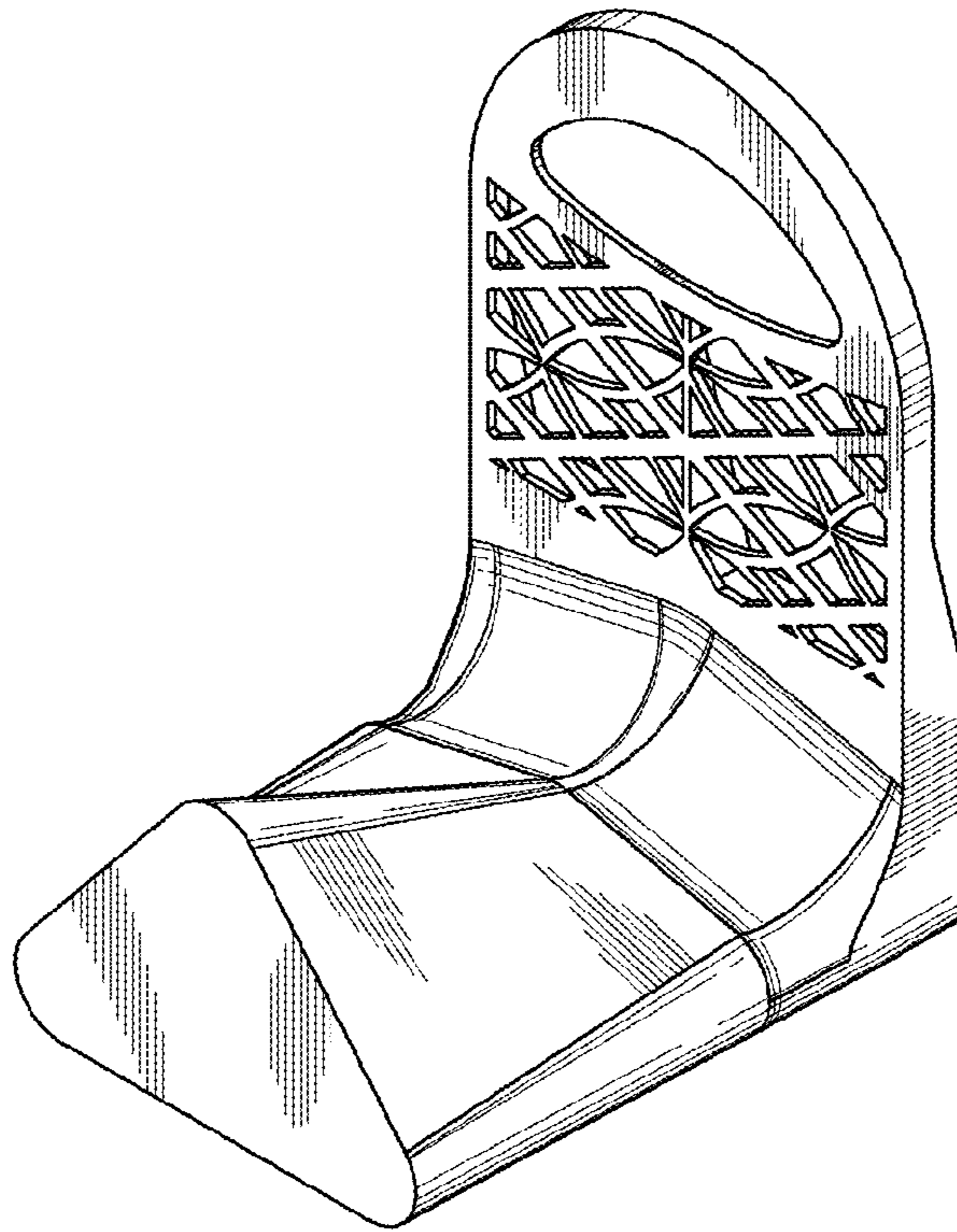
(56)

## References Cited

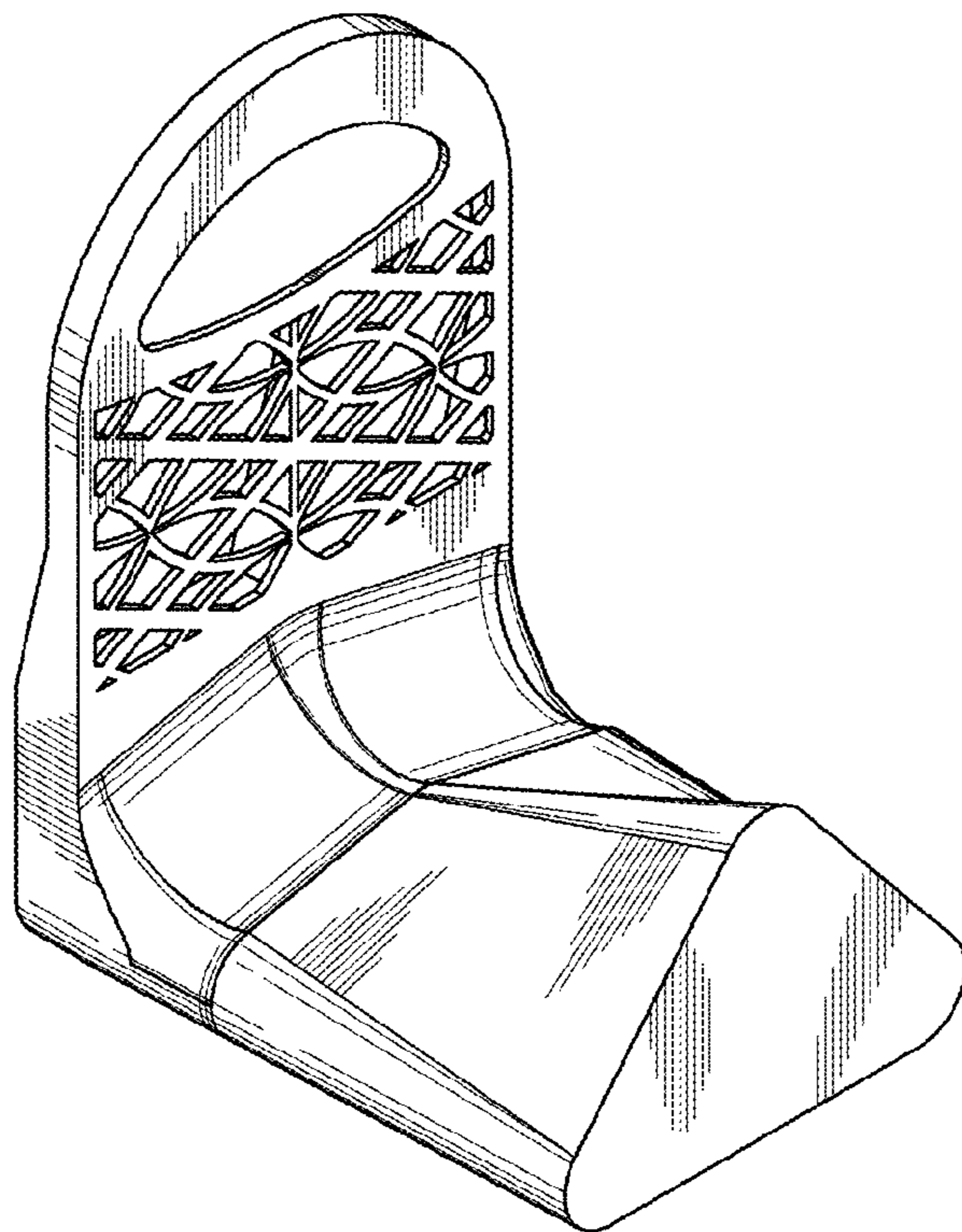
## U.S. PATENT DOCUMENTS

D480,292 S \* 10/2003 Johansson et al. .... D8/367  
D494,452 S \* 8/2004 Sheldon et al. .... D8/367  
D543,837 S \* 6/2007 Newbould et al. .... D8/367  
D554,481 S \* 11/2007 Newbould et al. .... D8/367  
D554,482 S \* 11/2007 Hager et al. .... D8/367  
D556,021 S 11/2007 Sexton  
D565,939 S \* 4/2008 Newbould et al. .... D8/367  
D571,190 S 6/2008 Spadotto  
D572,121 S \* 7/2008 Shiffler ..... D8/367  
D572,128 S \* 7/2008 Poulsen ..... D8/395  
D576,020 S 9/2008 Arcati  
D579,322 S \* 10/2008 Newbould et al. .... D8/367  
D583,653 S \* 12/2008 Thompson et al. .... D8/367  
D584,939 S \* 1/2009 Snell ..... D8/367  
D603,688 S \* 11/2009 Chiu ..... D8/367  
D609,995 S \* 2/2010 Hager et al. .... D8/367  
7,833,620 B2 \* 11/2010 Enserink et al. .... 428/321.1  
D632,951 S \* 2/2011 McGreevy et al. .... D8/367  
D641,228 S \* 7/2011 Qiblawi et al. .... D8/367  
D641,614 S \* 7/2011 Pontaoe ..... D8/394  
D665,653 S \* 8/2012 Thompson et al. .... D8/367  
D672,223 S \* 12/2012 Thompson ..... D8/356  
D678,041 S \* 3/2013 Pan et al. .... D8/367  
D680,804 S \* 4/2013 Gilboe ..... D7/367  
D682,663 S \* 5/2013 Evon ..... D8/367  
8,561,951 B2 10/2013 Wills et al.  
D697,388 S \* 1/2014 Pan ..... D8/367  
D697,389 S \* 1/2014 Pan ..... D8/367  
D707,111 S \* 6/2014 Callif ..... D8/367  
D735,560 S 8/2015 Anderson et al.  
D769,700 S \* 10/2016 Chinchon et al. .... D8/367  
D817,749 S \* 5/2018 Ryu et al. .... D8/367  
D841,439 S \* 2/2019 Merten ..... D8/356

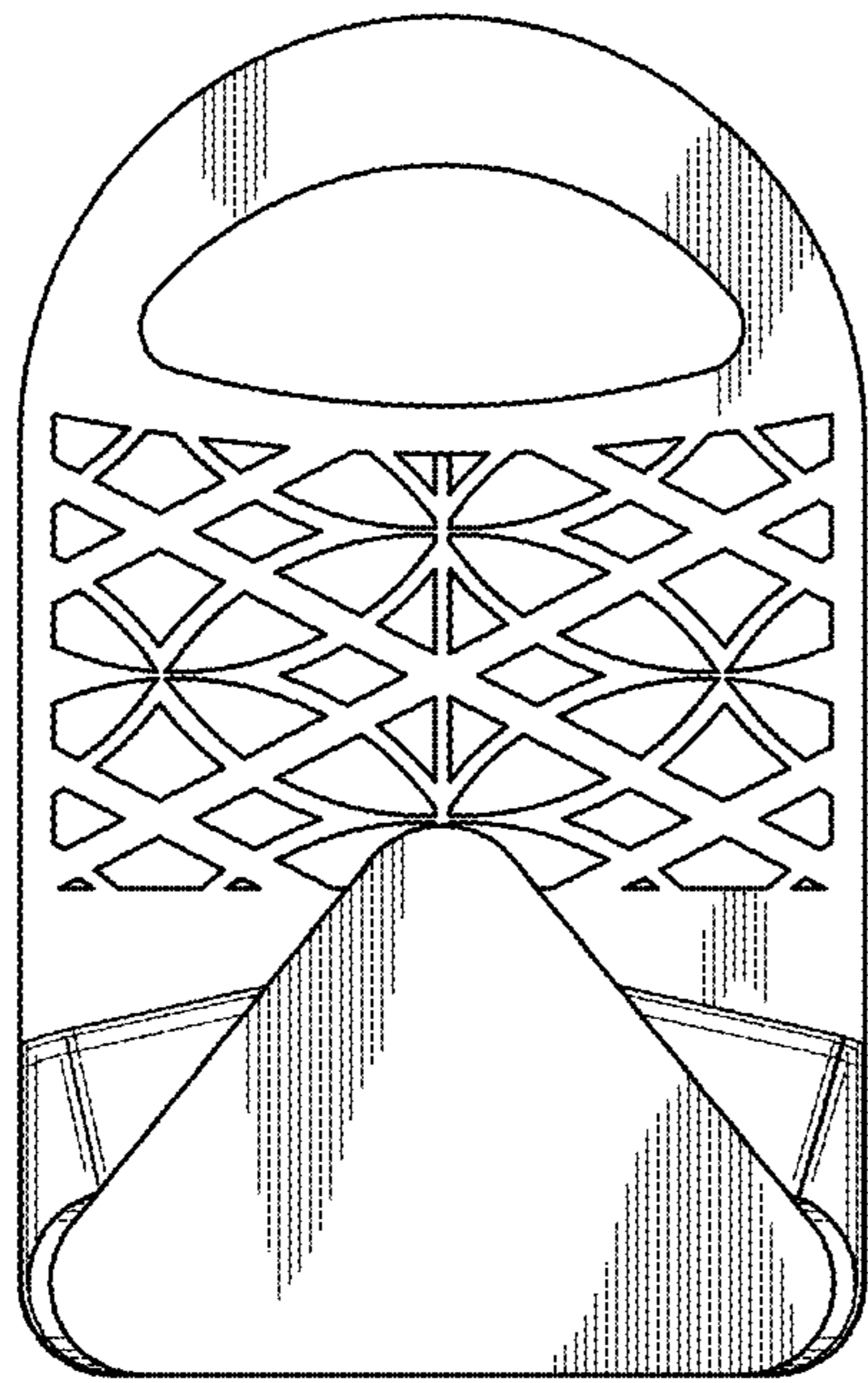
\* cited by examiner



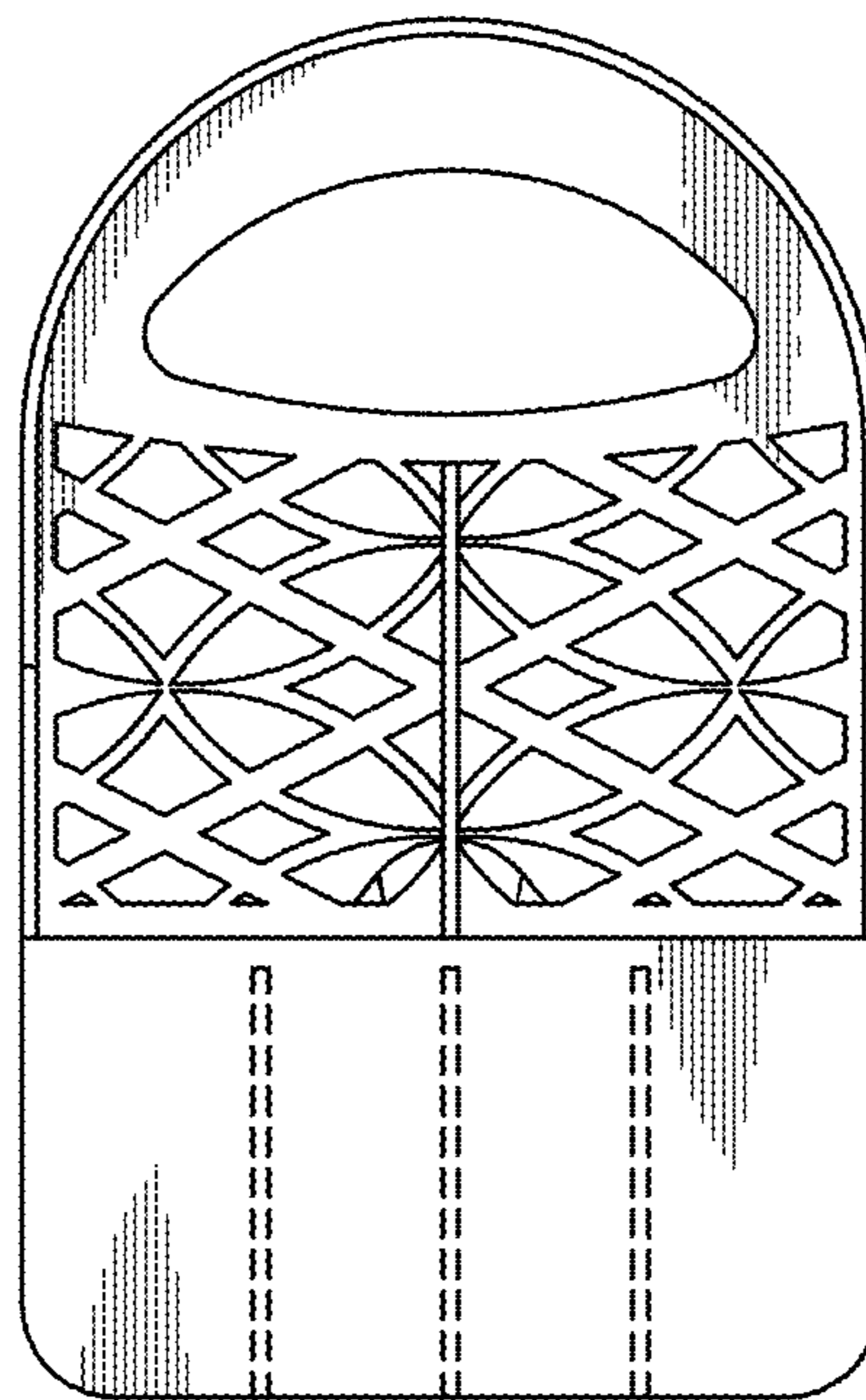
*FIG. 1*



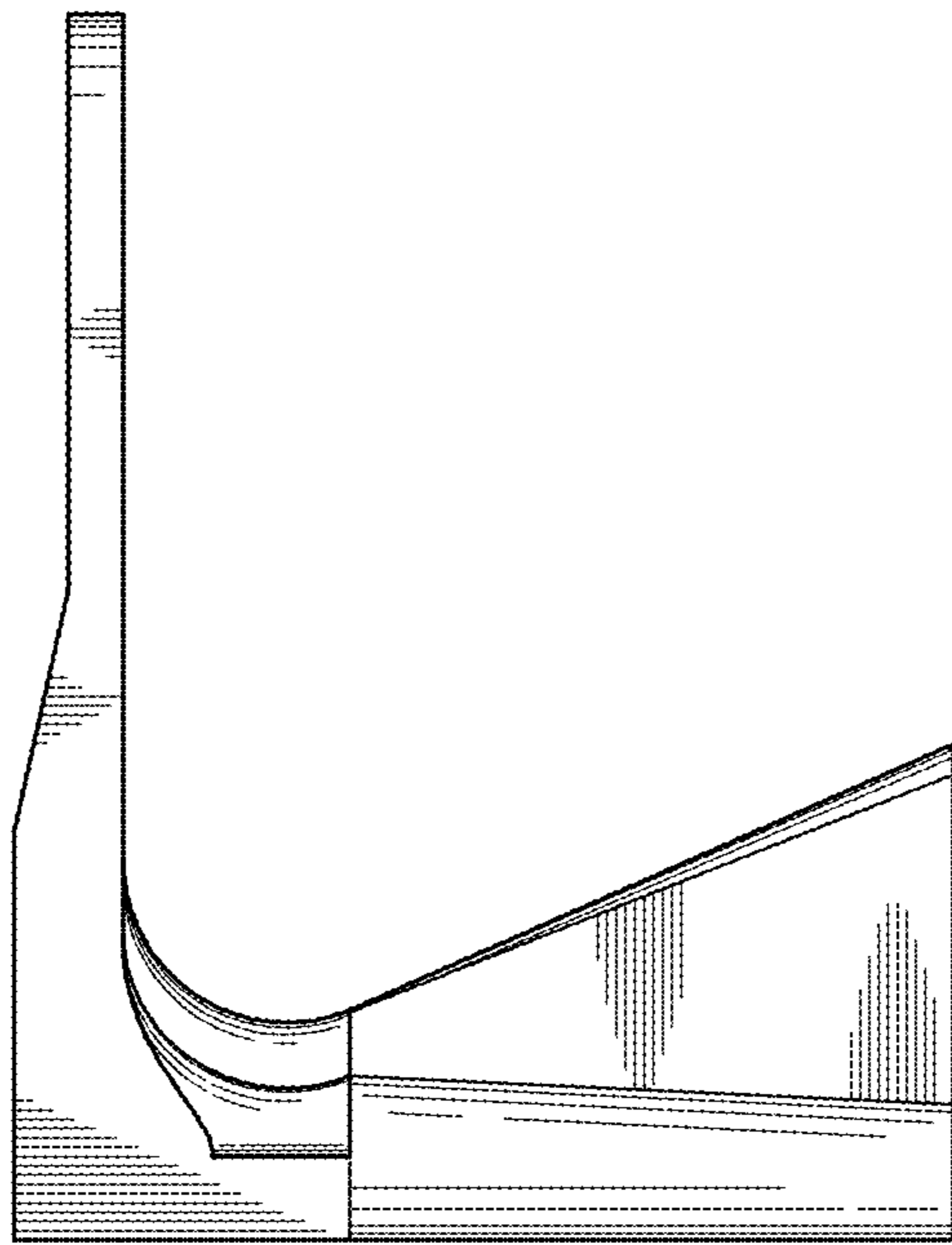
*FIG. 2*



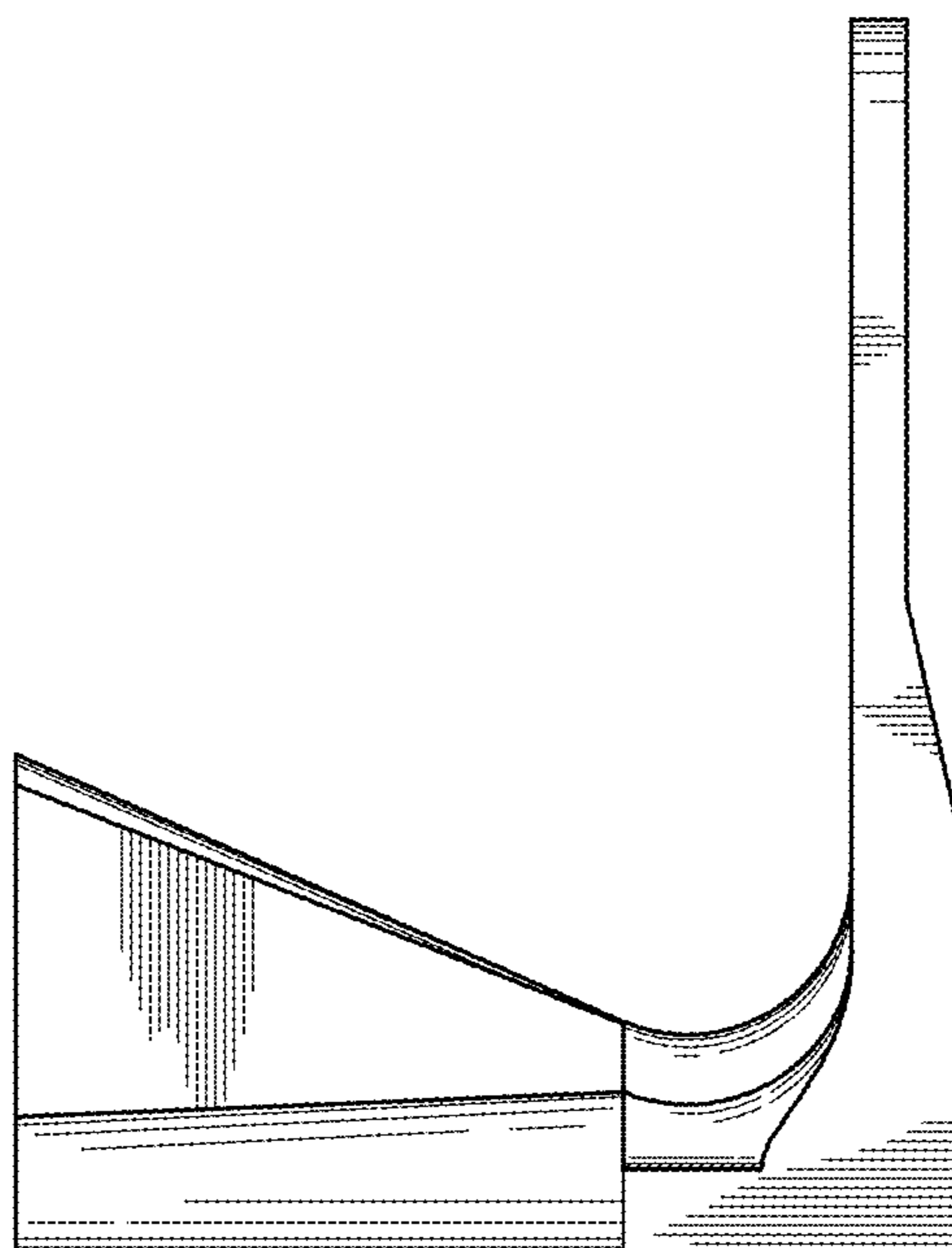
*FIG. 3*



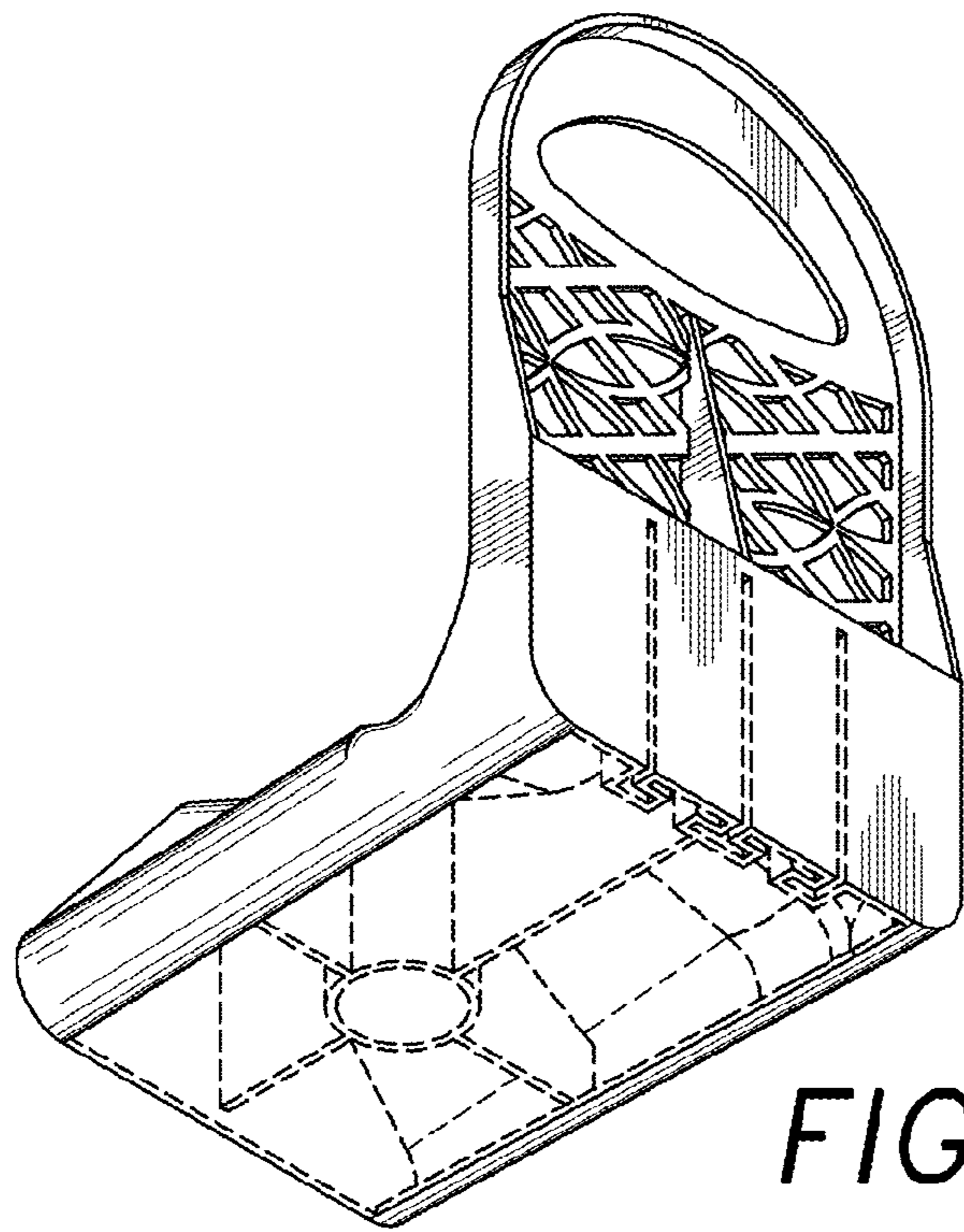
*FIG. 4*



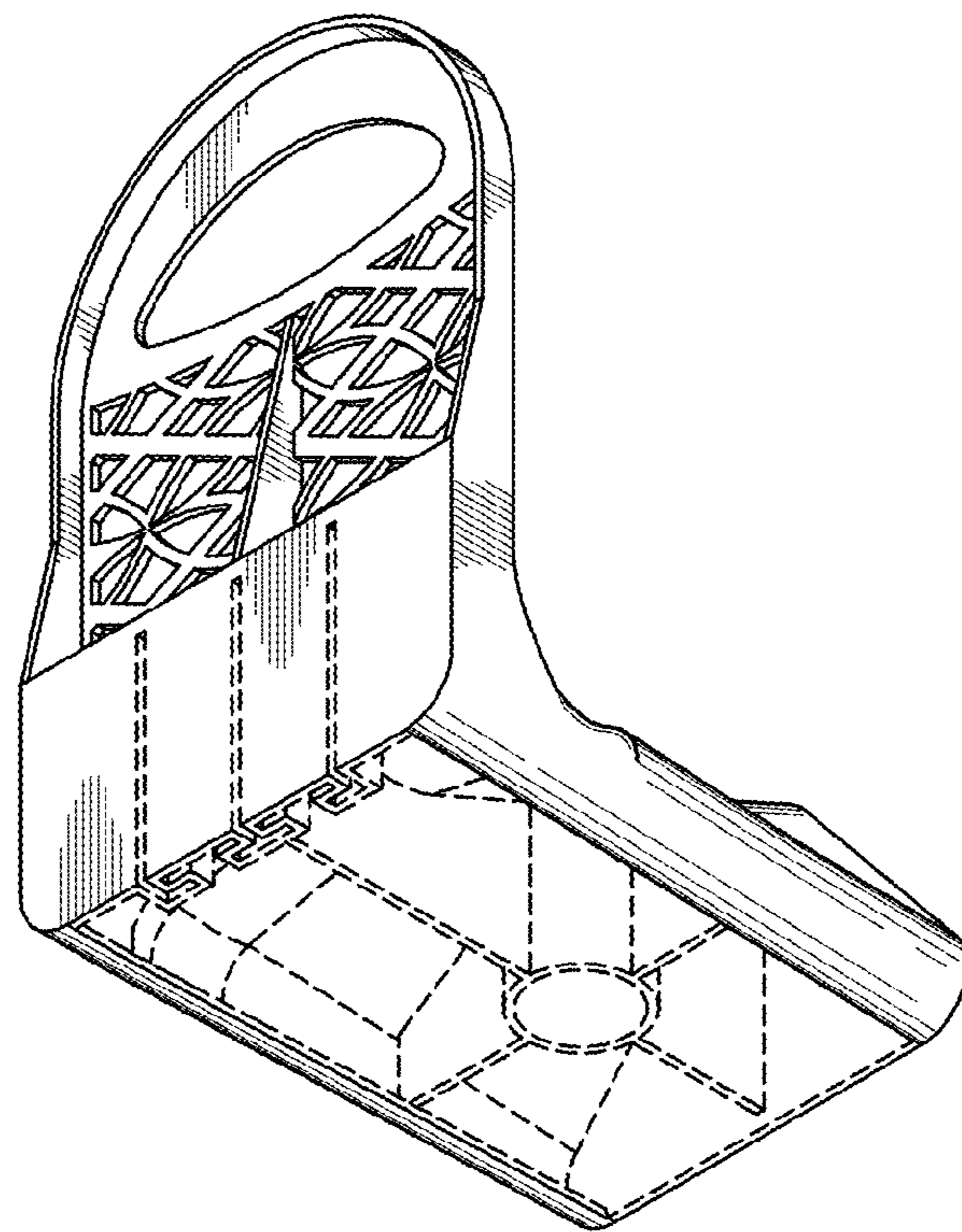
*FIG. 5*



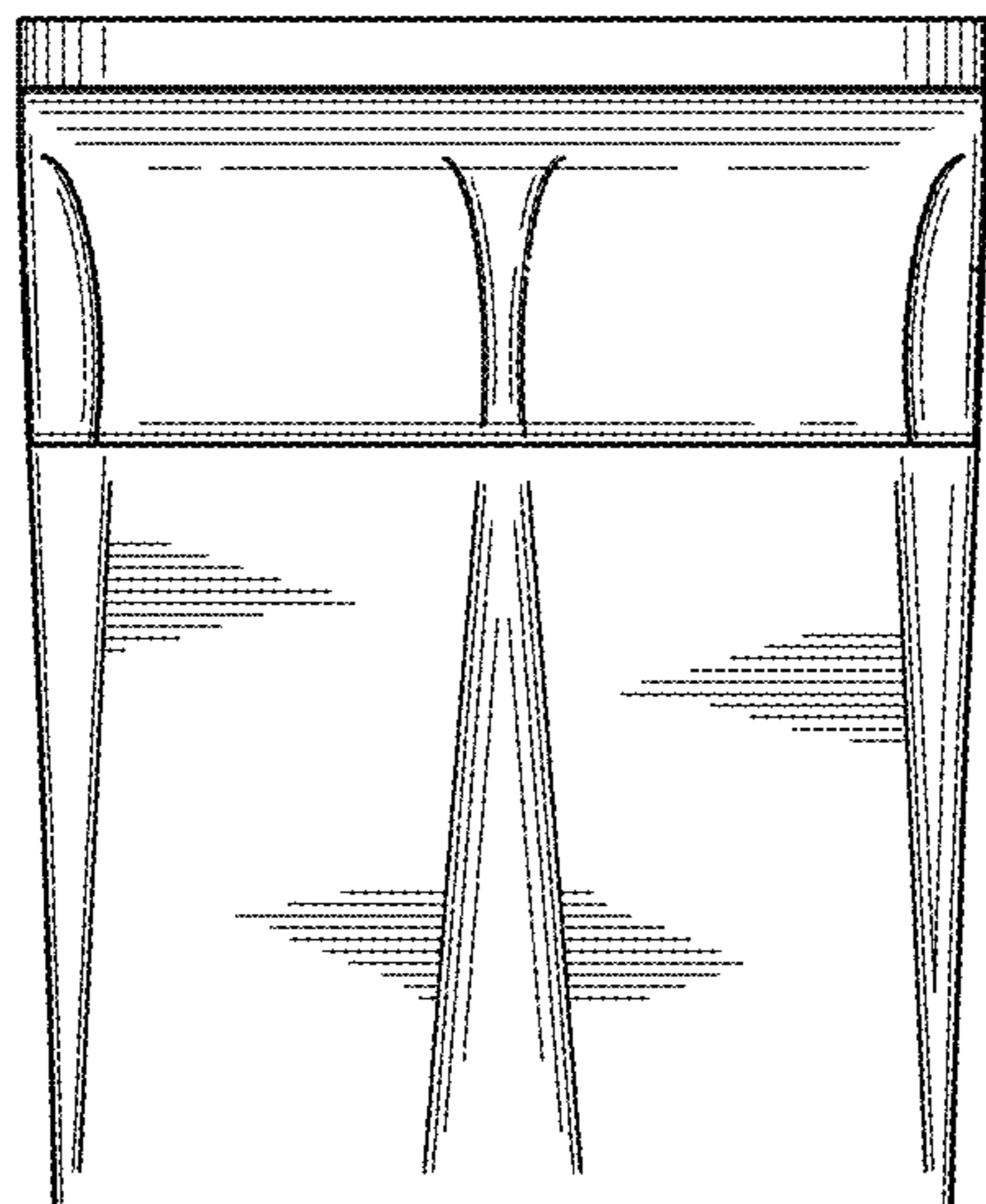
*FIG. 6*



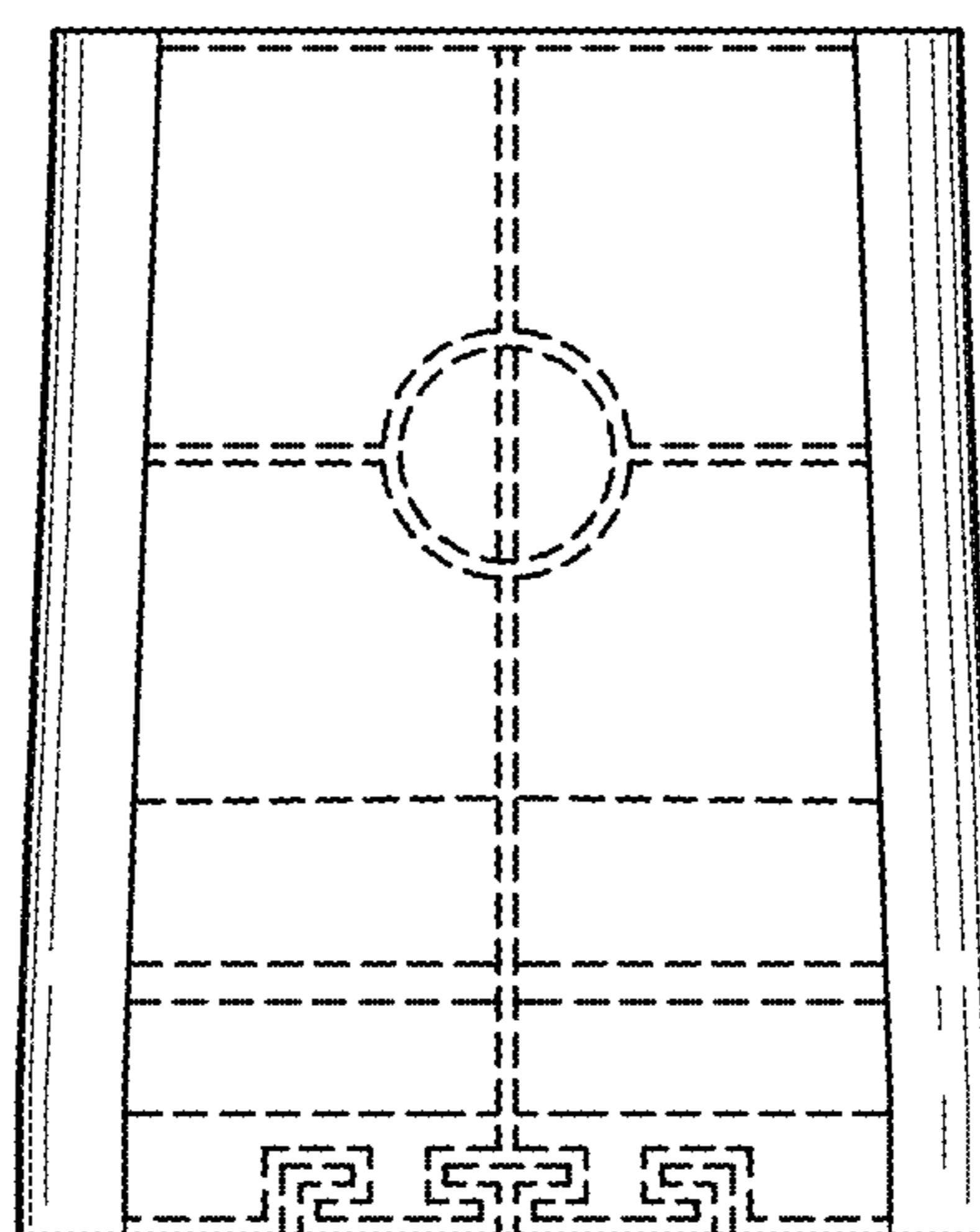
*FIG. 7*



*FIG. 8*



*FIG. 9*



*FIG. 10*