



US00D870537S

(12) **United States Design Patent**
Mundis

(10) **Patent No.:** **US D870,537 S**

(45) **Date of Patent:** **** Dec. 24, 2019**

(54) **TRACK CHAIR BRACKET**

(71) Applicant: **Thomas Lee Mundis**, Hanover, PA
(US)

(72) Inventor: **Thomas Lee Mundis**, Hanover, PA
(US)

(**) Term: **15 Years**

(21) Appl. No.: **29/601,345**

(22) Filed: **Apr. 21, 2017**

(51) **LOC (12) Cl.** **08-05**

(52) **U.S. Cl.**
USPC **D8/363**

(58) **Field of Classification Search**
USPC D08/363, 367, 372; D06/572
CPC . A47H 1/00; A47H 1/10; A47H 1/102; A47H
1/13; A47G 1/16; A47G 1/17; F16B
45/00; F16B 47/00

See application file for complete search history.

(56) **References Cited**

U.S. PATENT DOCUMENTS

D36,375 S *	6/1903	Kohr	D8/363
D322,210 S *	12/1991	Boscacci	D8/363
5,421,693 A *	6/1995	Petersen	A61G 5/104 410/30
7,021,641 B2 *	4/2006	Wu	A61G 5/042 180/65.1

D622,641 S *	8/2010	Chen	D12/131
7,832,800 B2 *	11/2010	Lo	A47O 1/035 297/327
8,333,428 B2 *	12/2012	Zhu	A47O 7/62 297/144
D724,119 S *	3/2015	Kim	D15/89
8,991,079 B2 *	3/2015	Stewart	E02F 3/40 37/405
9,010,450 B2 *	4/2015	Motz	E01O 13/08 172/20
D773,918 S *	12/2016	Spencer	D8/313
9,700,471 B2 *	7/2017	Nakamura	A61G 5/10
9,890,990 B2 *	2/2018	Allard	F25D 23/028

* cited by examiner

Primary Examiner — Barbara Fox

Assistant Examiner — Kristin E Reed

(74) *Attorney, Agent, or Firm* — Steve O'Donnell

(57) **CLAIM**

I claim the ornamental design for a track chair bracket, as shown and described.

DESCRIPTION

FIG. 1 is a front perspective view of a track chair bracket showing my new design;

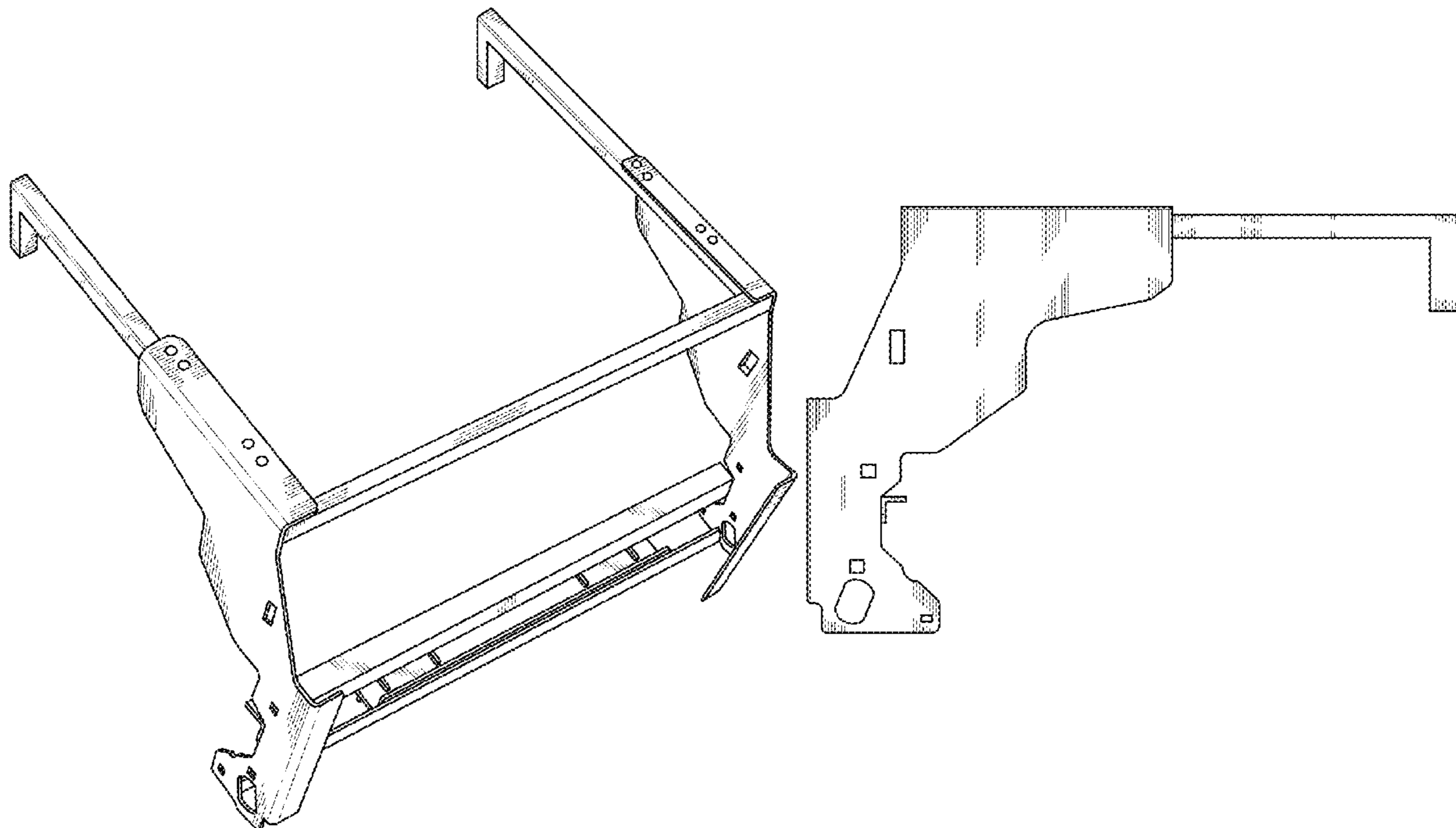
FIG. 2 is a rear perspective view thereof;

FIG. 3 is front elevation view thereof;

FIG. 4 is a side elevation view thereof, the opposing side view being a mirror image; and,

FIG. 5 is a top plan view thereof.

1 Claim, 5 Drawing Sheets



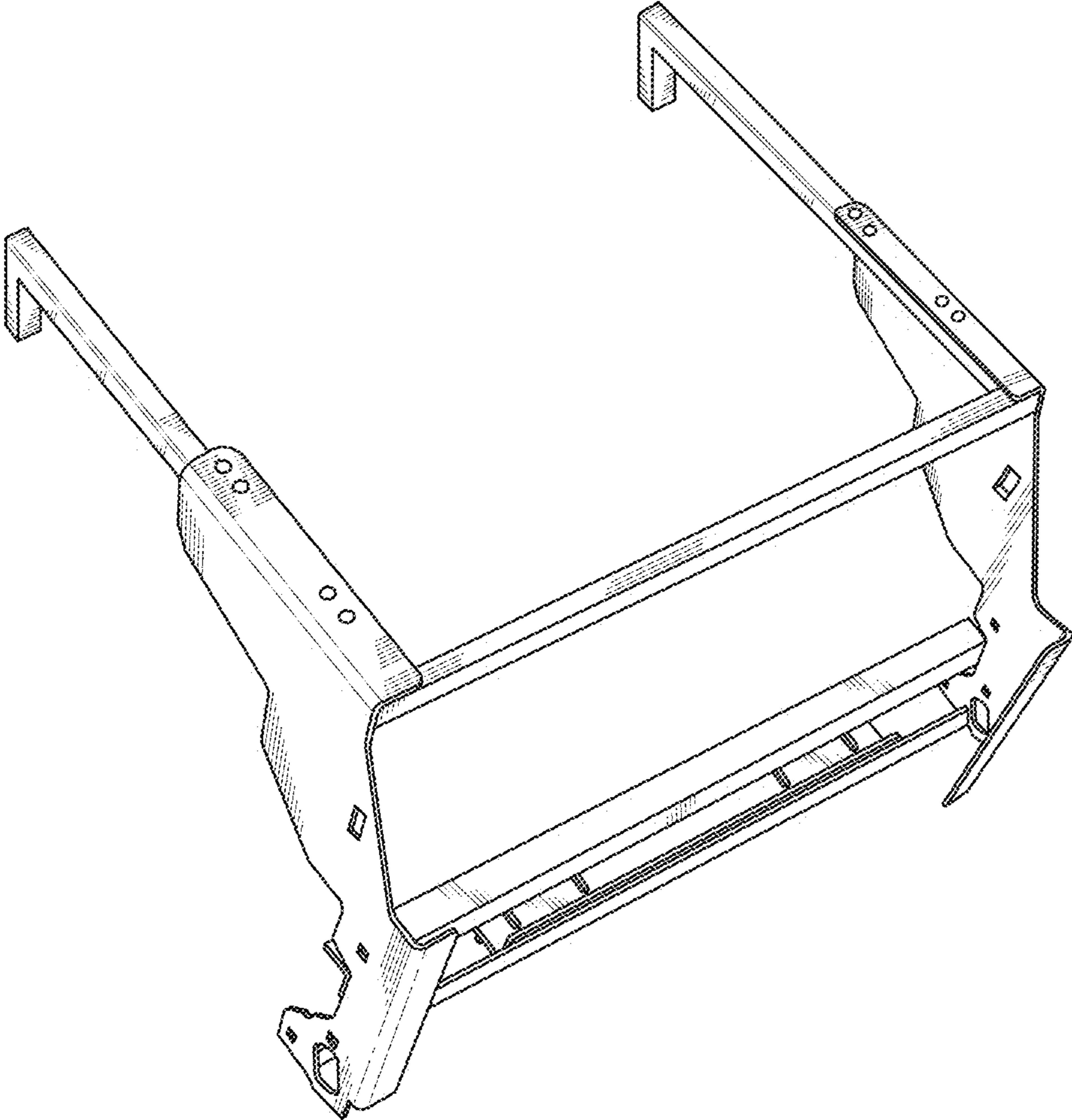


FIG. 1

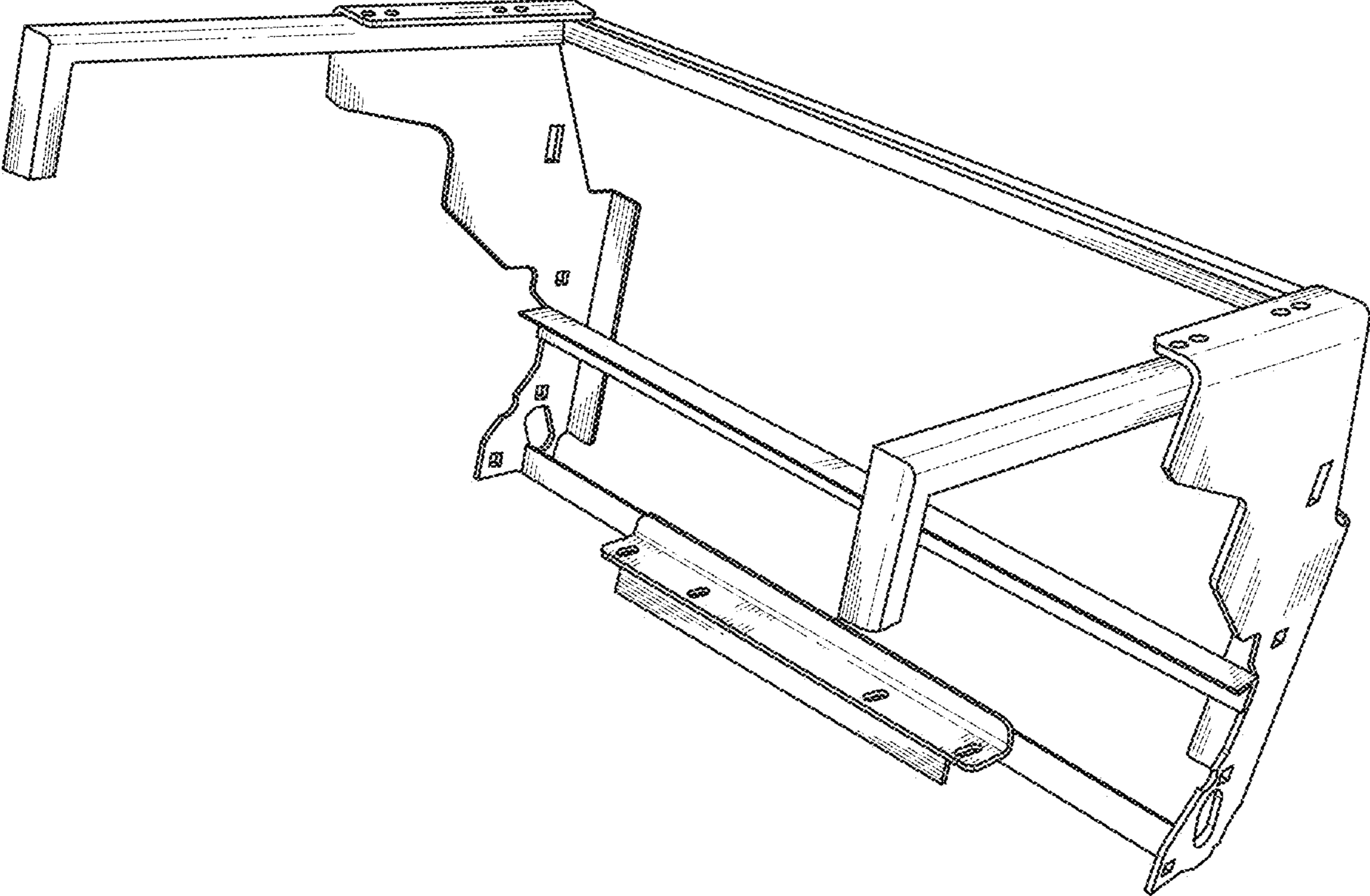


FIG. 2

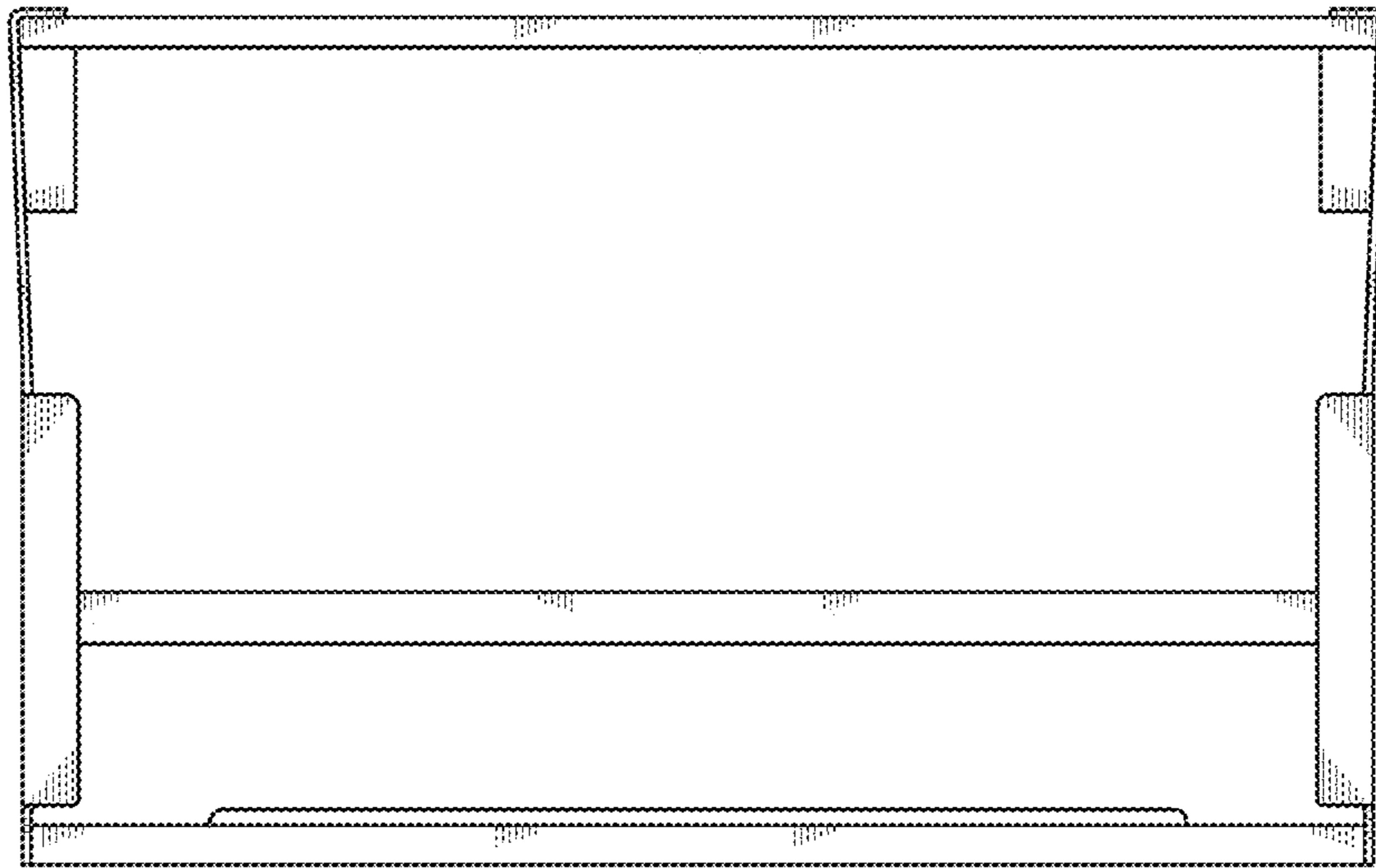


FIG. 3

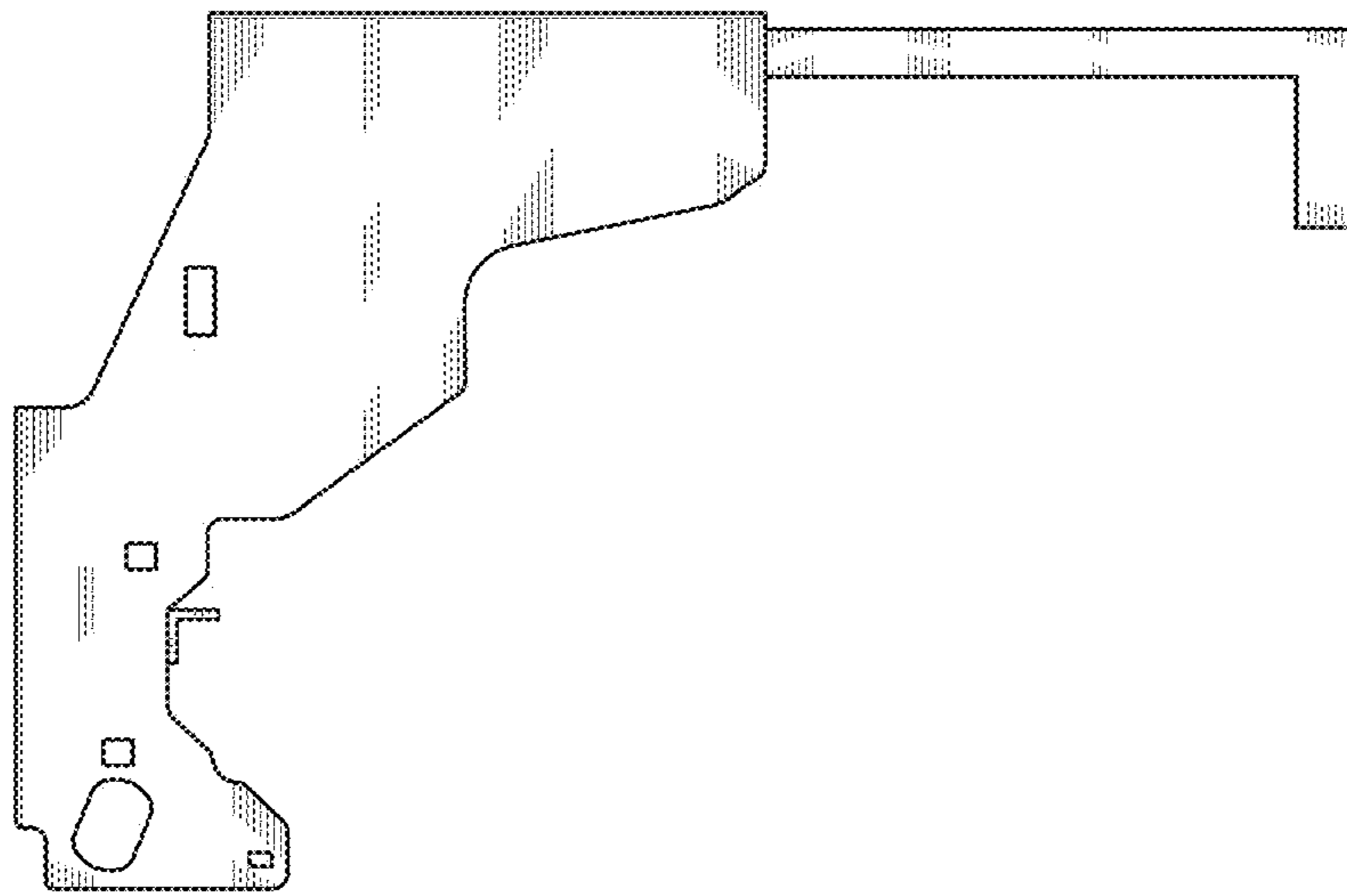


FIG. 4

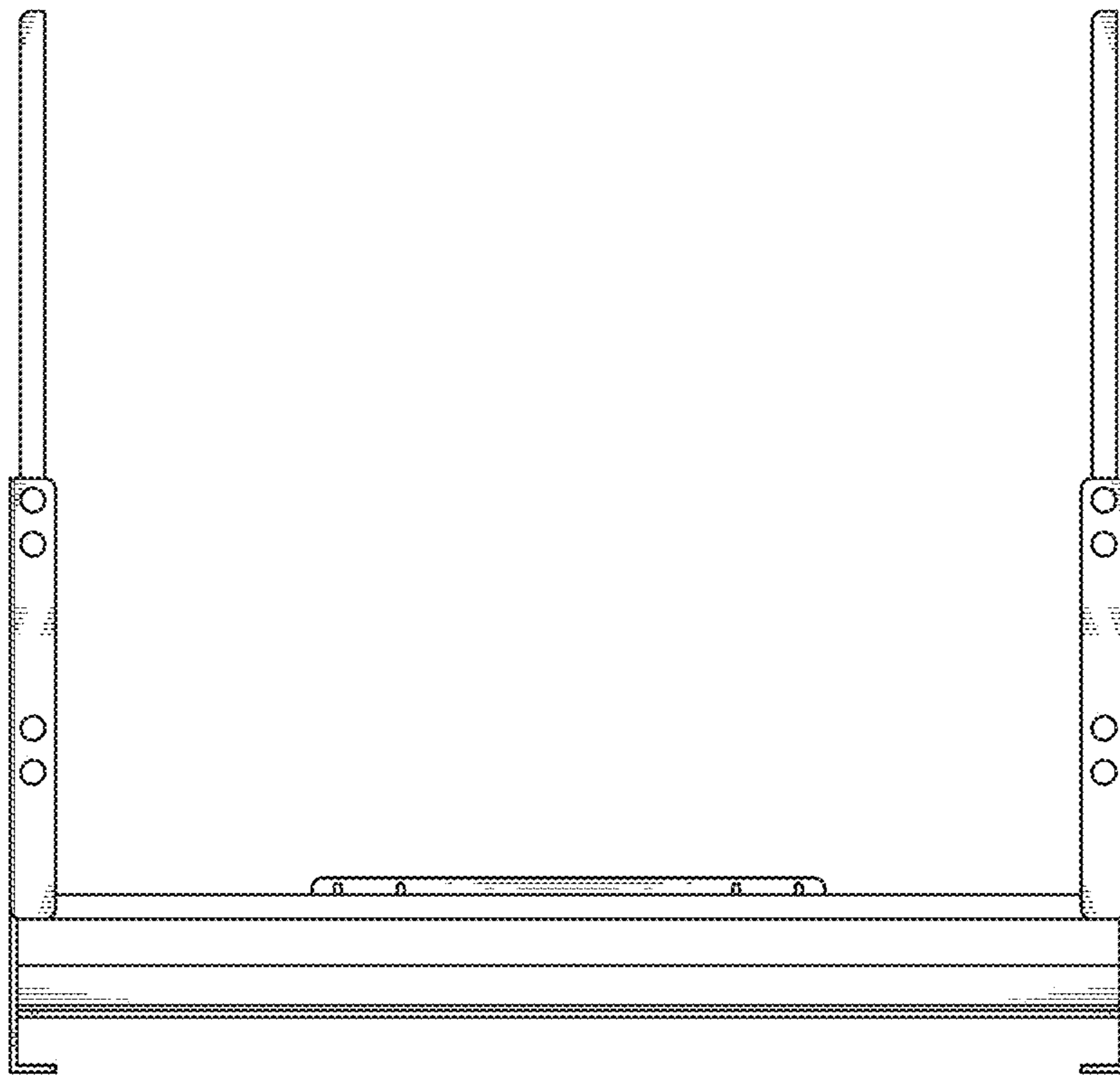


FIG. 5