



US00D870535S

(12) **United States Design Patent** (10) **Patent No.:** **US D870,535 S**
Gebhardt et al. (45) **Date of Patent:** **** Dec. 24, 2019**

(54) **MOUNTING PLATE**

(71) Applicant: **InPro Corporation**, Muskego, WI (US)

(72) Inventors: **David R. Gebhardt**, Milwaukee, WI (US); **Matthew G. Bennett**, New Berlin, WI (US)

(73) Assignee: **InPro Corporation**, Muskego, WI (US)

(**) Term: **15 Years**

(21) Appl. No.: **29/666,993**

(22) Filed: **Oct. 17, 2018**

Related U.S. Application Data

(63) Continuation-in-part of application No. 29/622,432, filed on Oct. 17, 2017.

(51) **LOC (12) Cl.** **08-05**

(52) **U.S. Cl.**
USPC **D8/354**; D8/349

(58) **Field of Classification Search**
USPC D8/349, 354, 382, 402, 404, 499;
D25/199

CPC E04F 13/0832; E04F 13/0885; E04F 13/0835; E04F 13/0841; E04F 13/0803; E04F 13/0805; E04F 13/24; E04F 2201/02; E04F 2201/044; E04F 13/26; E04F 13/25; E04F 13/28; E04F 13/0816; E04F 13/22; E04F 2201/05; E04F 2201/0523; E04F 2201/0107; E04F 2201/0161; E04F 13/0889; E04F 13/0814; E04C 2/205; E04C 2/38; E04C 2/46; E04C 2/324; E04C 2/52; E04B 1/7038; E04B 2/30; E04B 2002/0204; E04B 2/721; E04G 23/0203; A47B 23/002; G09F 7/12; G09B 25/04

See application file for complete search history.

(56) **References Cited**

U.S. PATENT DOCUMENTS

1,258,172 A * 3/1918 Winans A44B 11/2592
24/629
1,337,938 A * 4/1920 Merriam F16B 2/241
24/580.1
2,201,129 A * 5/1940 Weiland E04F 13/0839
52/509
D176,559 S * 1/1956 Schindler D8/350
(Continued)

OTHER PUBLICATIONS

Monarch Metal Fabrication, Easy Panel System Installation Instructions, known prior to Oct. 17, 2017, 7 pages.
(Continued)

Primary Examiner — Sheryl Lane

Assistant Examiner — Ieisha N Price

(74) *Attorney, Agent, or Firm* — Reinhart Boerner Van Deuren s.c.

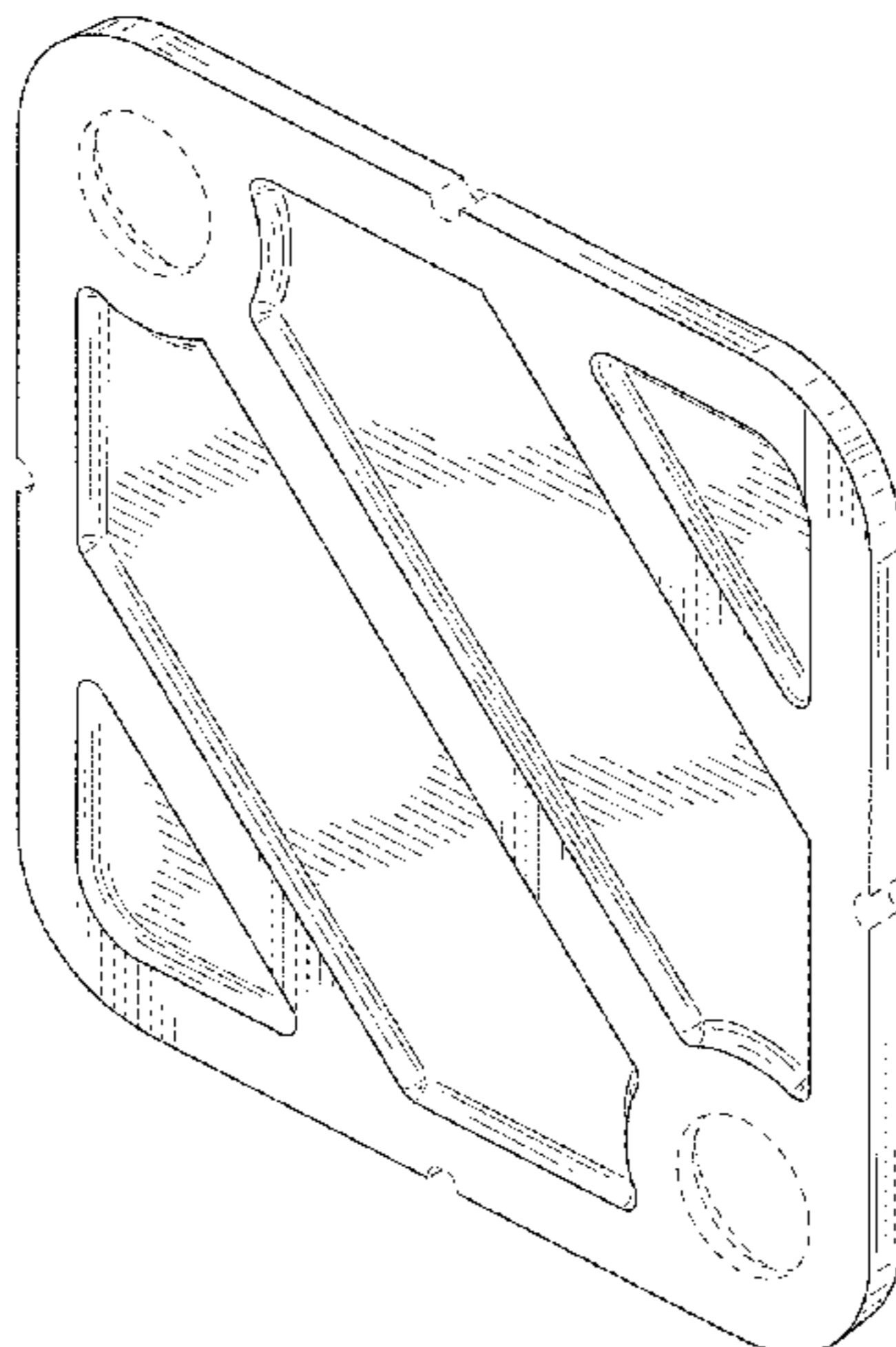
(57) **CLAIM**

We claim the ornamental design for a mounting plate, as shown and described.

DESCRIPTION

FIG. 1 is a front perspective view of the mounting plate; FIG. 2 is a rear perspective view of the mounting plate of FIG. 1; FIG. 3 is a front view of the mounting plate of FIG. 1; FIG. 4 is a rearview of the mounting plate of FIG. 1; FIG. 5 is a side view of the mounting plate of FIG. 1; FIG. 6 is a side view of the mounting plate of FIG. 1 taken 90° from the view in FIG. 5; and, FIG. 7 is a cross section view of the mounting plate of FIG. 1 taken along line 7-7 of FIG. 3.

(Continued)



The ornamental design which is claimed is shown in solid lines in the drawings.

The broken lines in the drawings illustrate portions of the mounting plate and form no part of the claimed design.

1 Claim, 6 Drawing Sheets

(56)

References Cited

U.S. PATENT DOCUMENTS

2,921,462 A * 1/1960 Wilson E04B 2/30
52/223.13
3,318,057 A * 5/1967 Norsworthy E04F 15/02452
52/126.6
3,564,758 A * 2/1971 Willis A63H 33/06
428/542.2
3,861,098 A * 1/1975 Schaub E01C 3/006
52/263
3,893,275 A * 7/1975 Omholt E04F 13/0885
52/309.5
D236,428 S 8/1975 Stewart et al.
3,961,453 A * 6/1976 Couwenbergs E04D 11/005
52/509
4,190,157 A 2/1980 Chatham
D263,678 S 4/1982 Dewey
D288,778 S * 3/1987 Giannuzzi D8/353
4,669,238 A * 6/1987 Kellis E04F 13/0864
52/105
D295,496 S * 5/1988 Burke D8/382
D298,355 S 11/1988 Young
4,803,823 A * 2/1989 Stenson E04D 3/3603
403/218
4,835,034 A * 5/1989 Cruz E04C 2/205
428/131
D301,687 S 6/1989 Cassidy et al.
4,842,465 A * 6/1989 Pease E04B 1/7629
24/595.1
D315,667 S * 3/1991 Johnson D10/64

D324,991 S * 3/1992 Gary D8/354
5,228,857 A * 7/1993 Roland G09B 25/04
434/74
5,628,587 A * 5/1997 Lesslie E21D 21/0086
405/259.1
5,989,369 A * 11/1999 Light E04F 13/0885
156/71
D530,187 S * 10/2006 Esbaugh D8/354
D542,628 S * 5/2007 Brassard D8/354
D551,058 S * 9/2007 Carnevali D8/354
D609,552 S 2/2010 Anderson et al.
D628,047 S * 11/2010 Craig D8/354
D637,599 S * 5/2011 Liao D14/447
D658,972 S * 5/2012 Virgin D8/349
D665,657 S * 8/2012 Pelc D8/354
8,850,776 B1 * 10/2014 Dunn E04G 23/0203
52/127.2
D751,151 S * 3/2016 Bromfield D21/488
D756,750 S 5/2016 Vrame et al.
D760,069 S * 6/2016 Pierce D8/374
D773,589 S * 12/2016 Wasankari D22/108
9,518,395 B2 12/2016 Kuijper
D795,682 S 8/2017 Downs
D814,267 S 4/2018 Verbowski
D815,042 S * 4/2018 Jenrich D13/133
2004/0031902 A1 2/2004 Davis, Jr.
2004/0262485 A1 * 12/2004 Marceau A47B 23/002
248/346.01
2012/0001042 A1 1/2012 Zhong
2015/0275527 A1 * 10/2015 Porter E04F 13/08
52/701
2016/0215511 A1 * 7/2016 Salekarr E04B 1/161
2016/0289977 A1 * 10/2016 Lucchese E04F 13/0816
2017/0009449 A1 * 1/2017 Leen E04F 13/0869
2017/0227034 A1 * 8/2017 Jordan F16B 5/0258
2019/0055737 A1 * 2/2019 Aboukhalil E04F 13/0803

OTHER PUBLICATIONS

CS Acrovyn, Sure Snap Wrapped Square Edge Product Data, 2017, 2 pages.

* cited by examiner

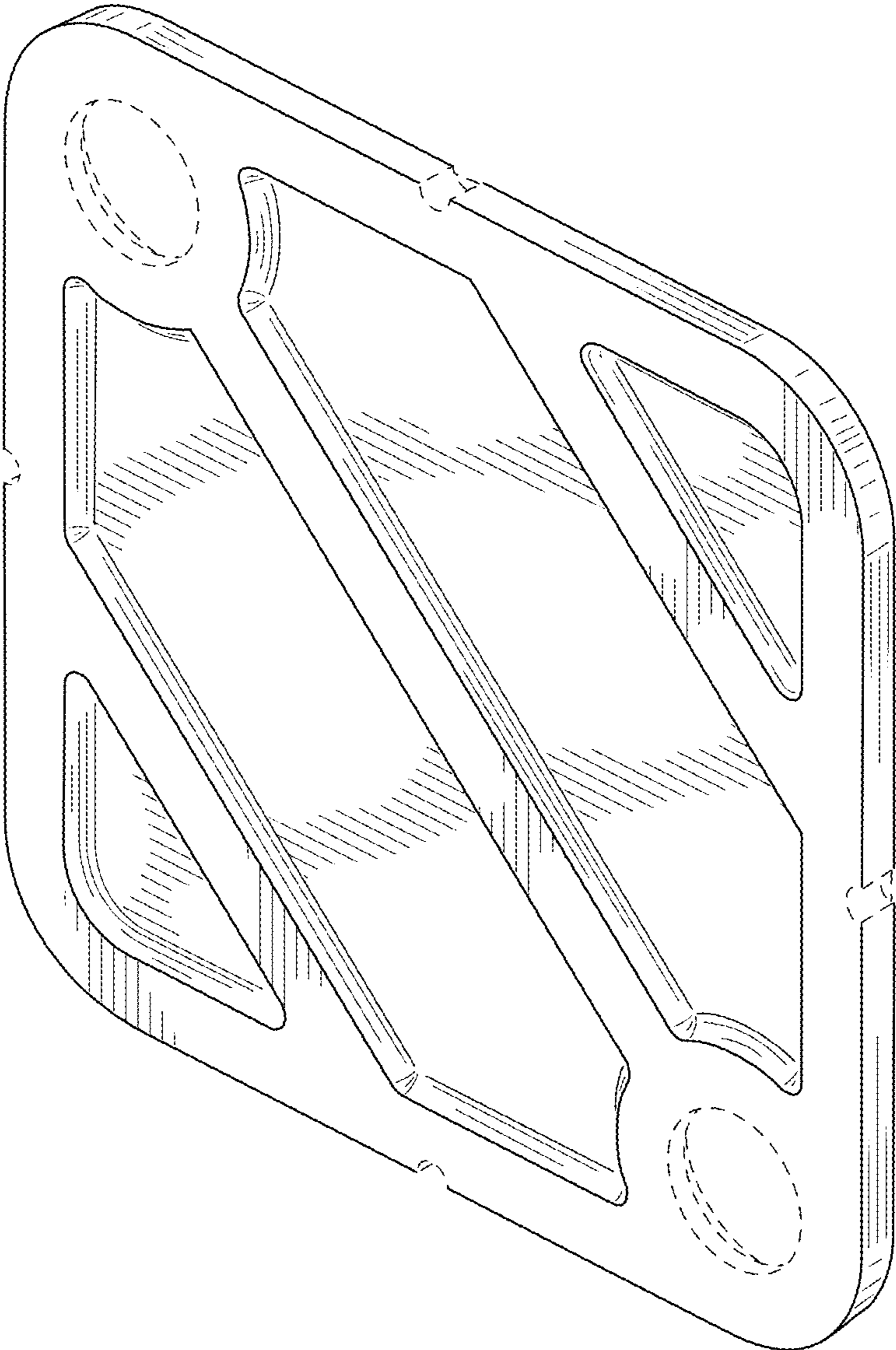


FIG. 1

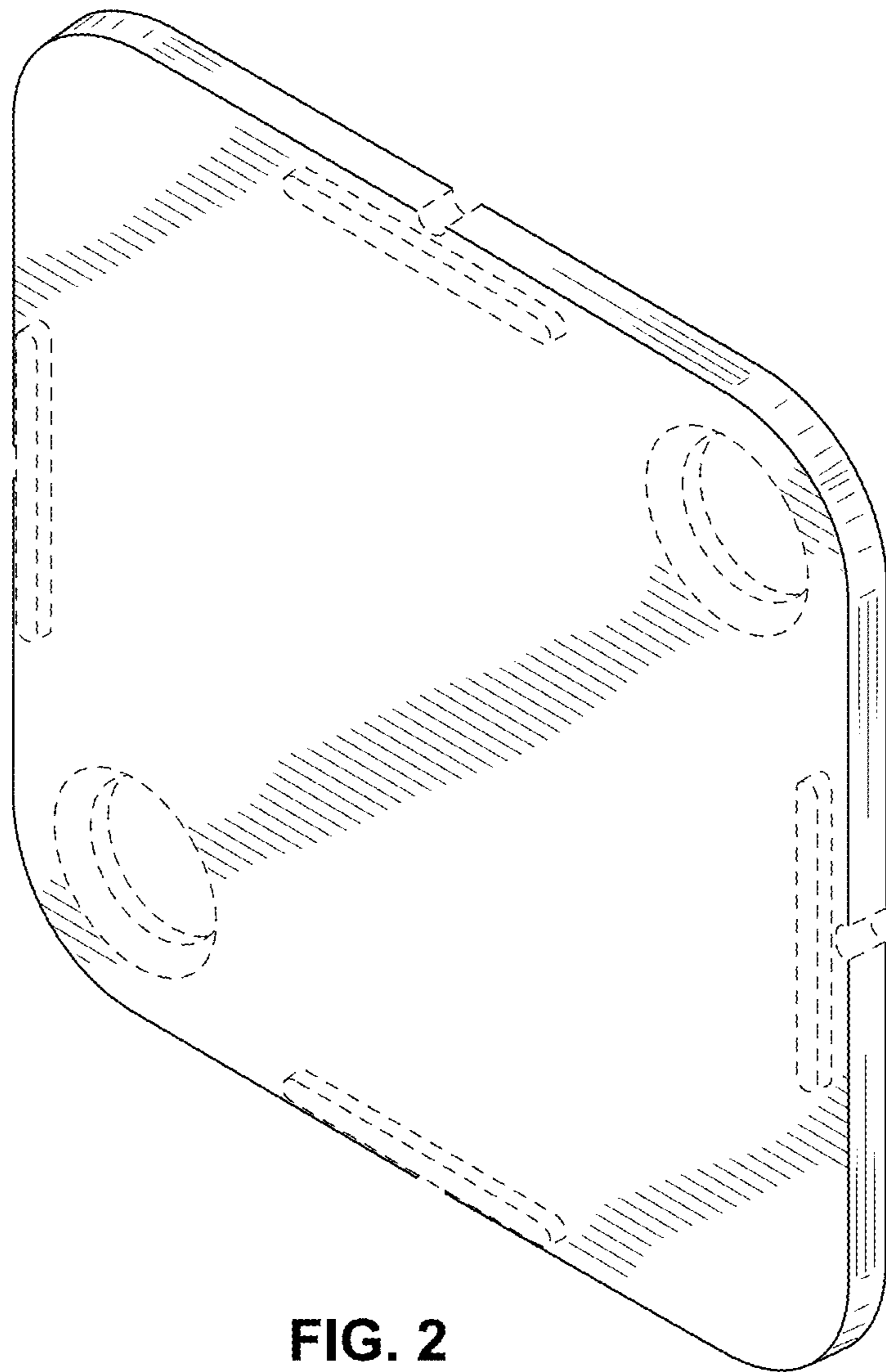


FIG. 2

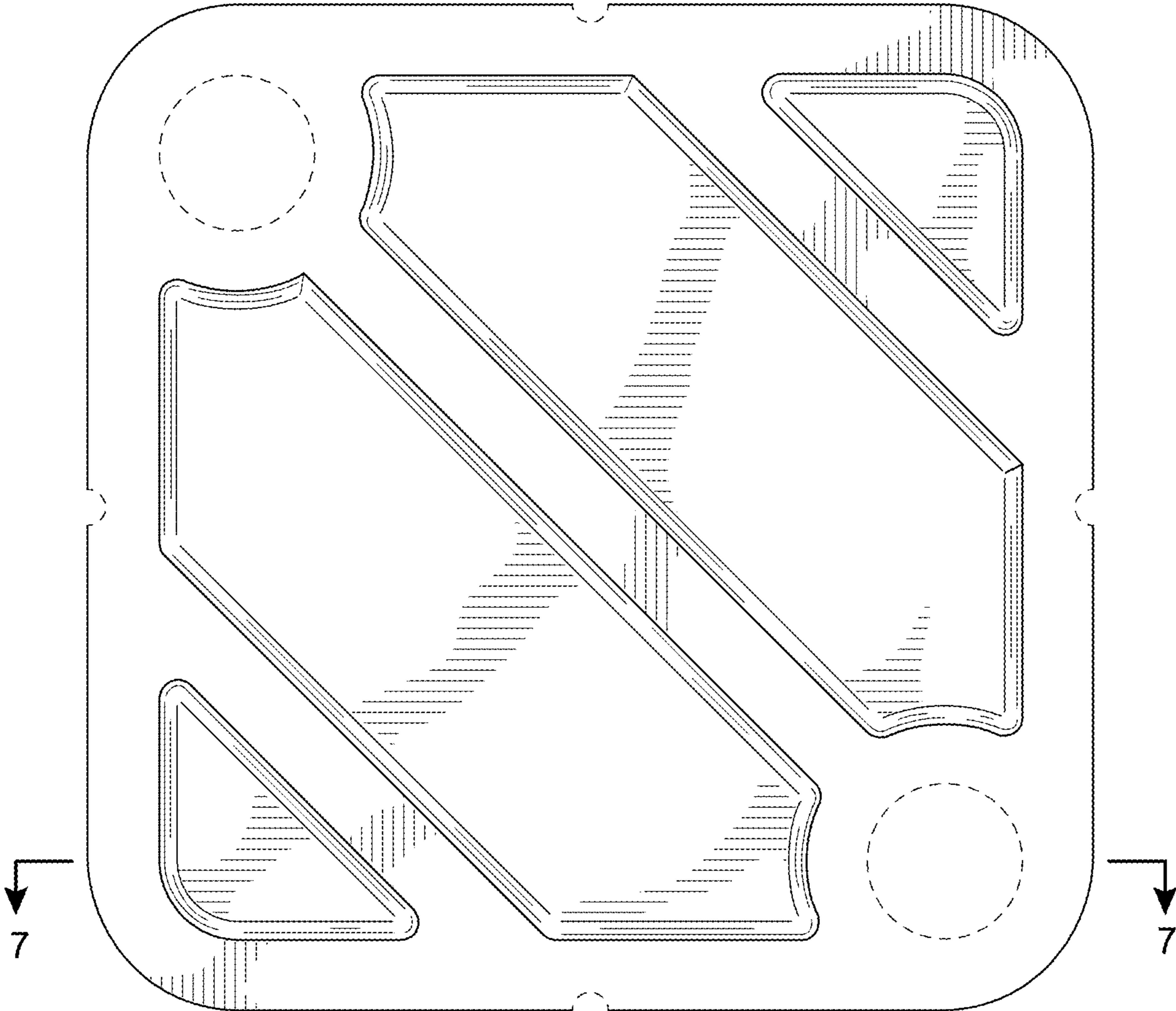


FIG. 3

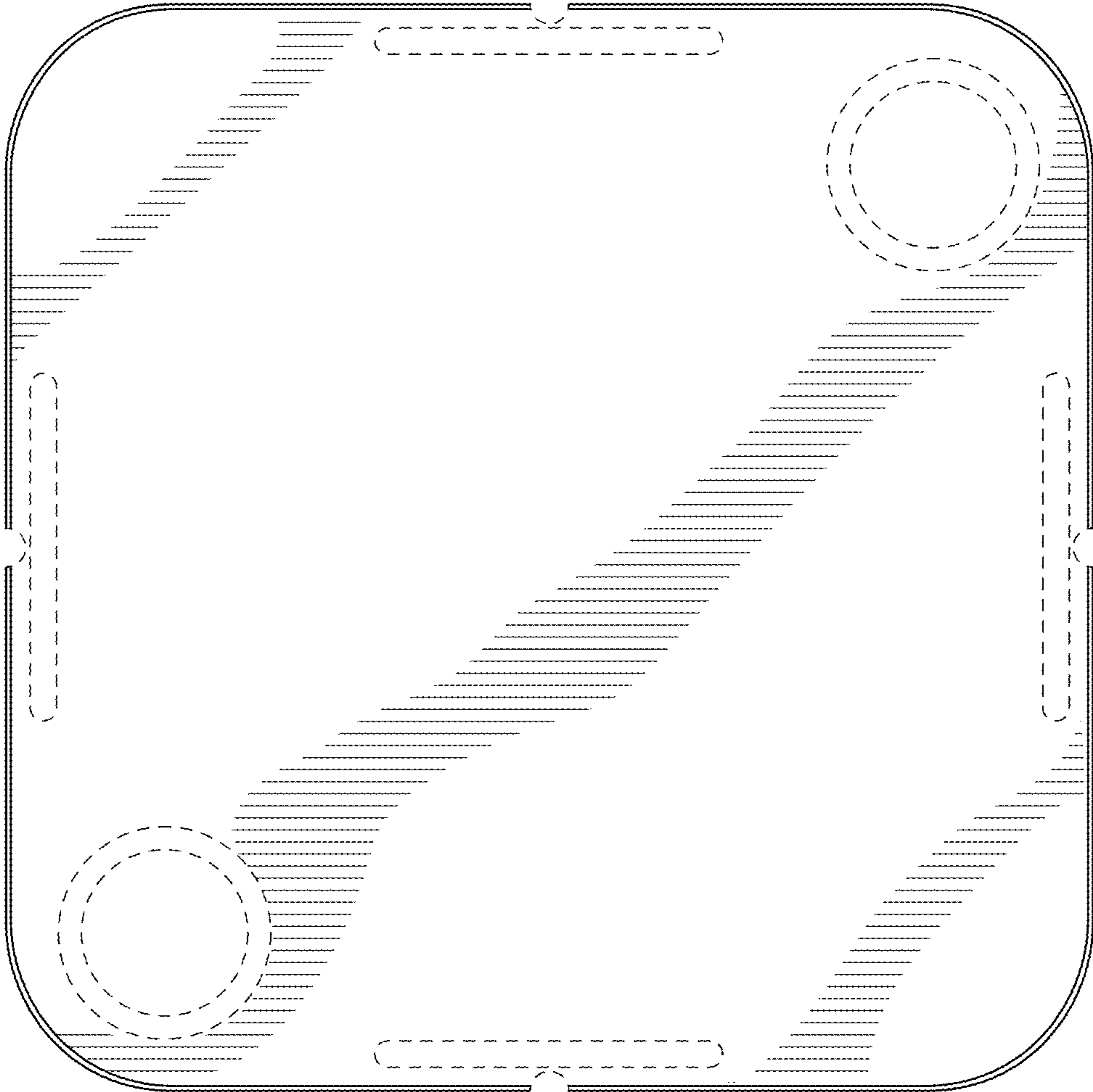


FIG. 4



FIG. 5



FIG. 6

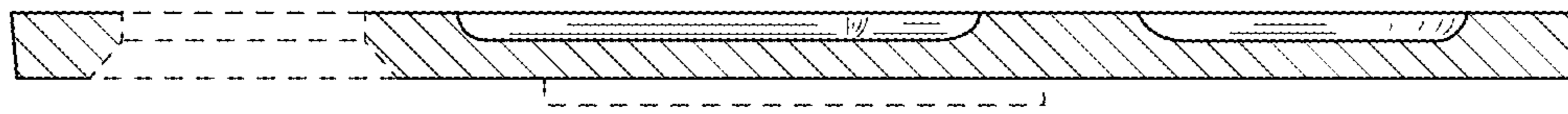


FIG. 7