



US00D870534S

(12) **United States Design Patent** (10) **Patent No.:** **US D870,534 S**
Siminoff et al. (45) **Date of Patent:** **** Dec. 24, 2019**

(54) **DEVICE MOUNT**

(71) Applicant: **Ring Inc.**, Santa Monica, CA (US)
(72) Inventors: **Mark Siminoff**, Mountain View, CA (US); **Christopher Loew**, Palo Alto, CA (US); **Matthew J. England**, Santa Monica, CA (US)
(73) Assignee: **Amazon Technologies, Inc.**, Seattle, WA (US)
(**) Term: **15 Years**
(21) Appl. No.: **29/632,749**
(22) Filed: **Jan. 9, 2018**
(51) **LOC (12) Cl.** **08-08**
(52) **U.S. Cl.**
USPC **D8/349**
(58) **Field of Classification Search**
USPC D6/672, 684, 680, 683.1, 703.5; D8/349, D8/354, 355, 330, 331, 333, 380, 382; D13/154, 133, 129, 199; D22/125; D25/119, 164, 199, 139, 141; D26/138, D26/76, 78, 79, 80
CPC .. F16C 2314/72; F16C 29/0623; F16C 29/06; F16C 29/0609; F16C 29/005; F16C 29/008; F16C 29/04; F16C 29/0657; F16C 29/004; F16C 29/12; A47B 1/10; A47B

(Continued)

(56) **References Cited**

U.S. PATENT DOCUMENTS

D815,516 S * 4/2018 Karmarkar D8/382
D821,850 S * 7/2018 Tyrer D8/354

(Continued)

Primary Examiner — Mark A Goodwin
Assistant Examiner — Benjamin M Weeks
(74) *Attorney, Agent, or Firm* — Lathrop Gage LLP

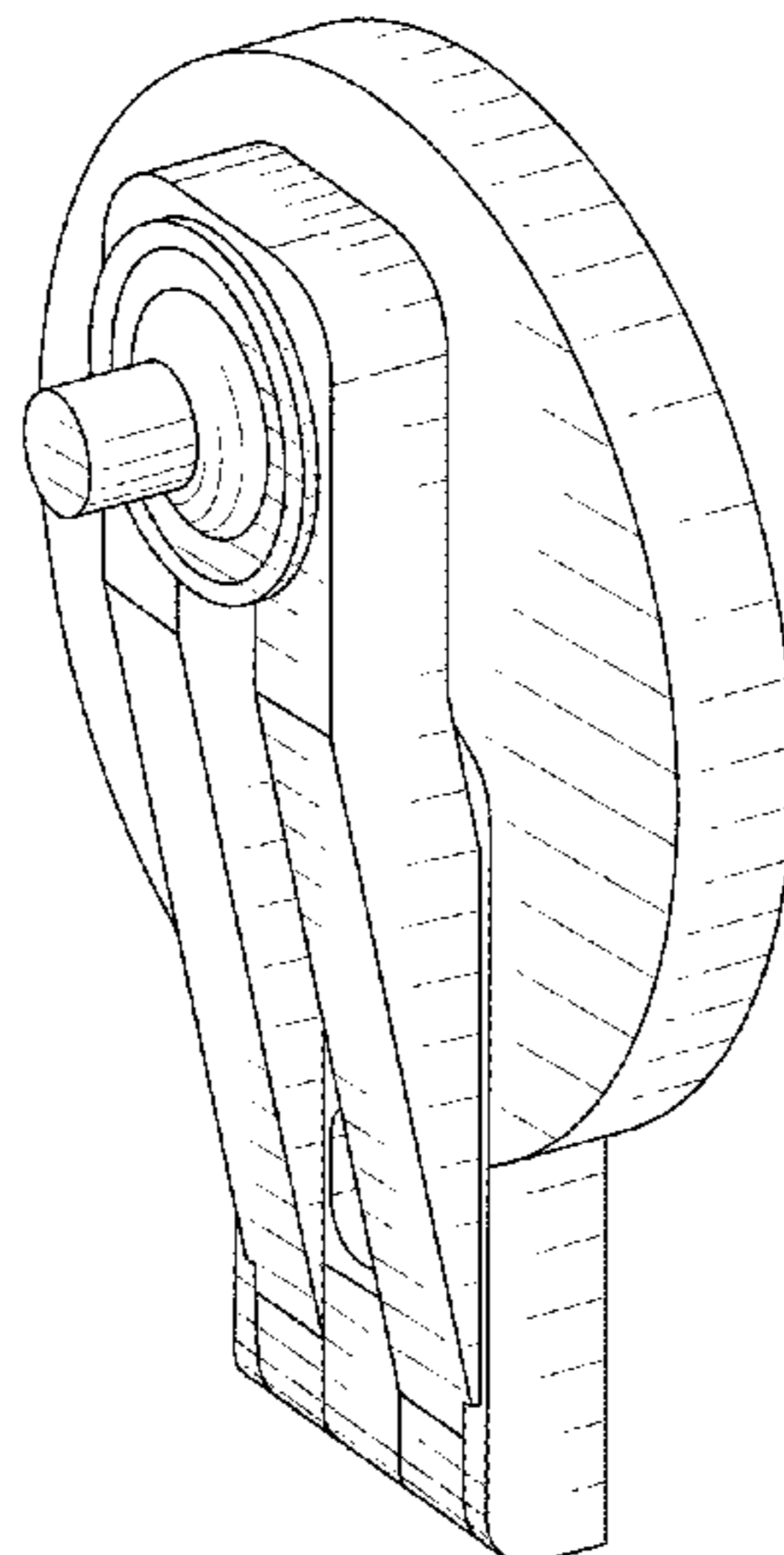
(57) **CLAIM**

The ornamental design for a device mount, as shown and described.

DESCRIPTION

FIG. 1 is a front perspective view of the device mount in a first configuration according to the present design; FIG. 2 is a rear perspective view of the device mount in the first configuration of FIG. 1; FIG. 3 is a top plan view of the device mount in the first configuration of FIG. 1; FIG. 4 is a bottom plan view of the device mount in the first configuration of FIG. 1; FIG. 5 is a left-side elevational view of the device mount in the first configuration of FIG. 1; FIG. 6 is a right-side elevational view of the device mount in the first configuration of FIG. 1; FIG. 7 is a front elevation view of the device mount in the first configuration of FIG. 1; FIG. 8 is a rear elevation view of the device mount in the first configuration of FIG. 1; FIG. 9 is a front perspective view of the device mount in a second configuration according to the present design; FIG. 10 is a rear perspective view of the device mount in the second configuration of FIG. 9; FIG. 11 is a top plan view of the device mount in the second configuration of FIG. 9; FIG. 12 is a bottom plan view of the device mount in the second configuration of FIG. 9; FIG. 13 is a left-side elevational view of the device mount in the second configuration of FIG. 9; FIG. 14 is a right-side elevational view of the device mount in the second configuration of FIG. 9; FIG. 15 is a front elevational view of the device mount in the second configuration of FIG. 9; and, FIG. 16 is a rear elevational view of the device mount in the second configuration of FIG. 9. The broken lines showing in the figures illustrate portions of the device mount that form no part of the claimed design.

1 Claim, 14 Drawing Sheets



(58) **Field of Classification Search**

CPC 88/493; A47B 88/423; A47B 2088/4235;
B44C 5/02

See application file for complete search history.

(56) **References Cited**

U.S. PATENT DOCUMENTS

D822,452 S *	7/2018	Fan	D8/334
D842,085 S *	3/2019	Emanuel	D8/382
D842,685 S *	3/2019	Ito	D8/354
D845,110 S *	4/2019	Cox	D8/354
D847,606 S *	5/2019	Heinemann	D8/331
2010/0180707 A1 *	7/2010	Wu	F16C 29/0609 74/424.87

* cited by examiner

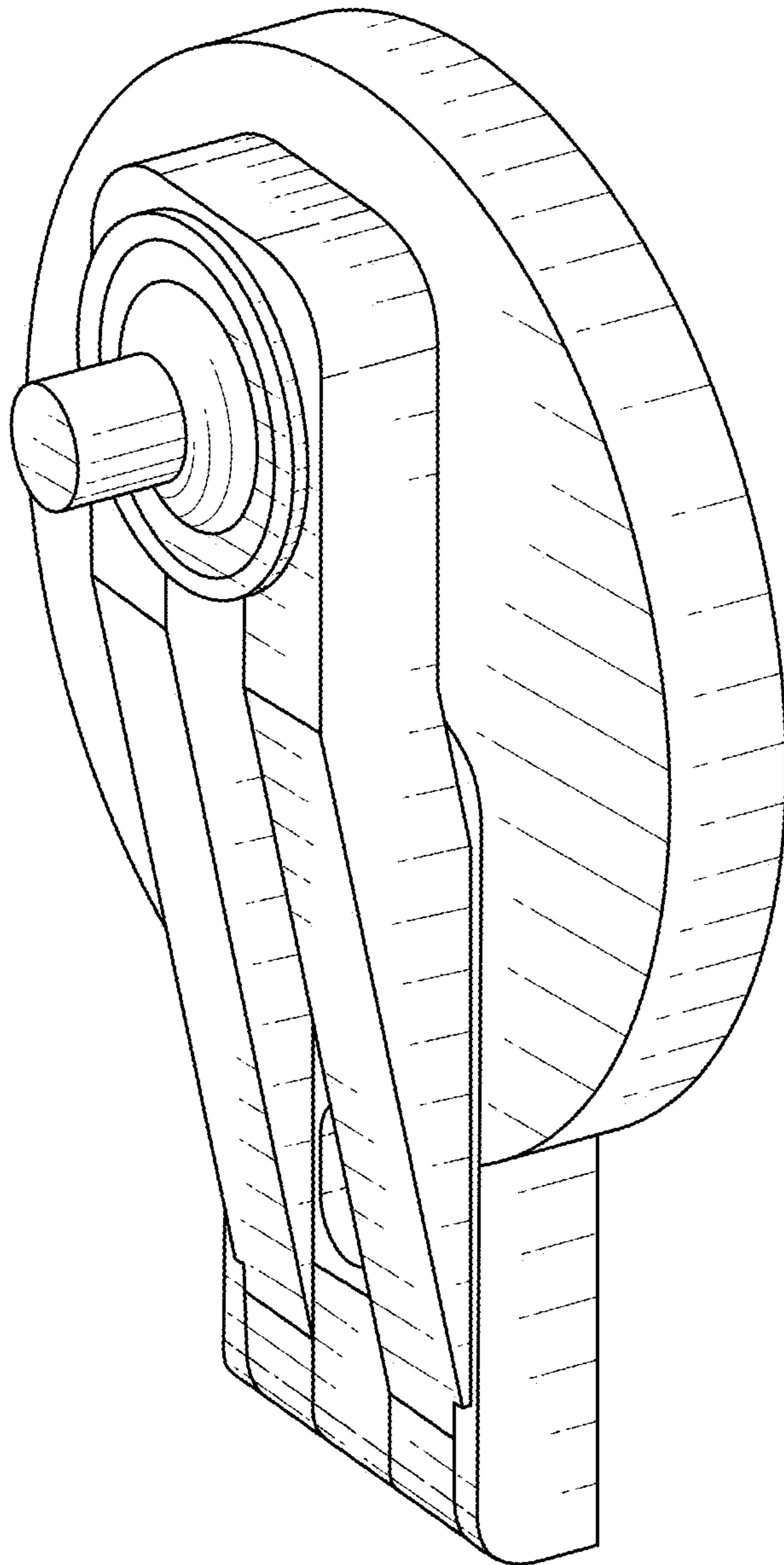


FIG. 1

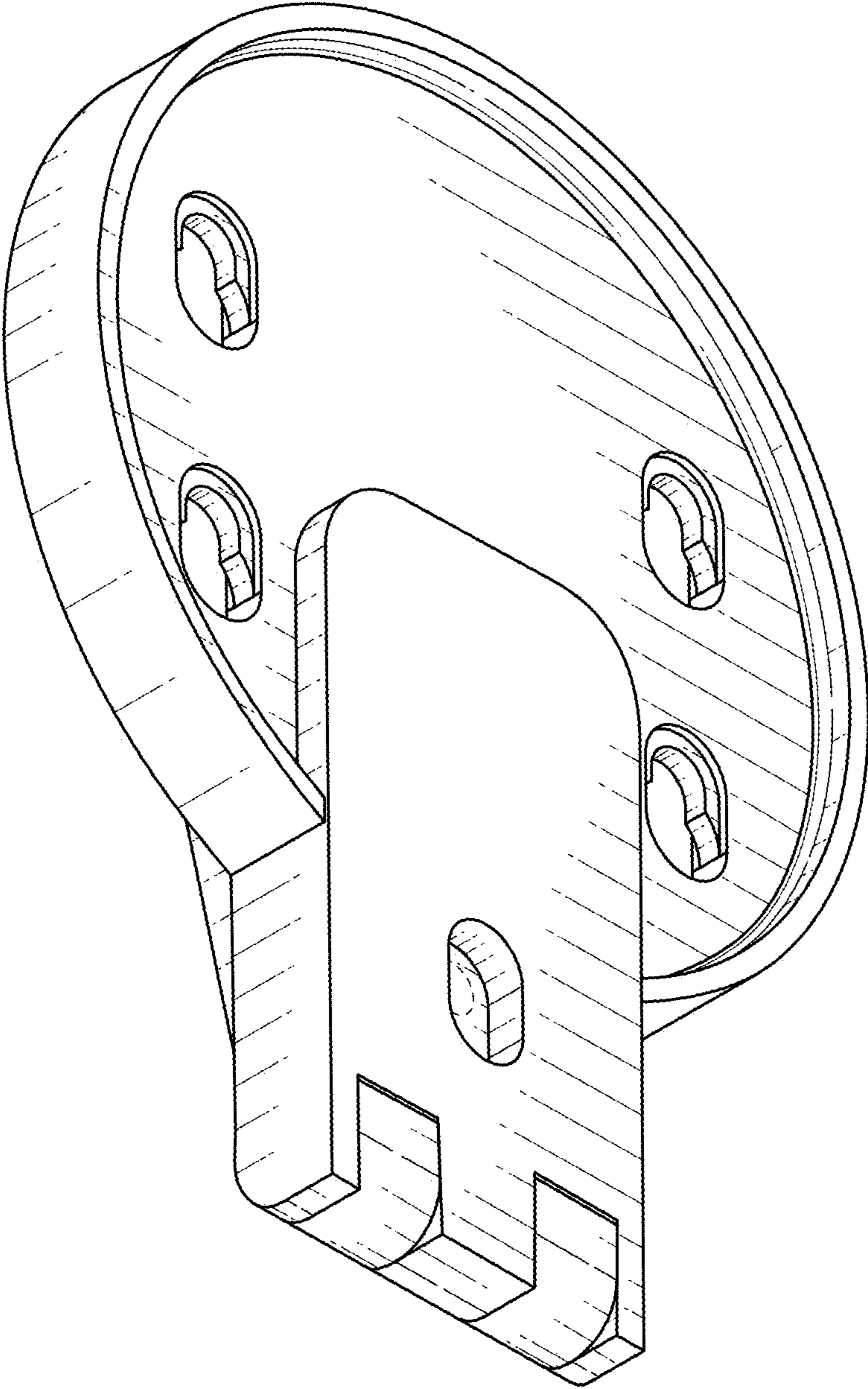


FIG. 2

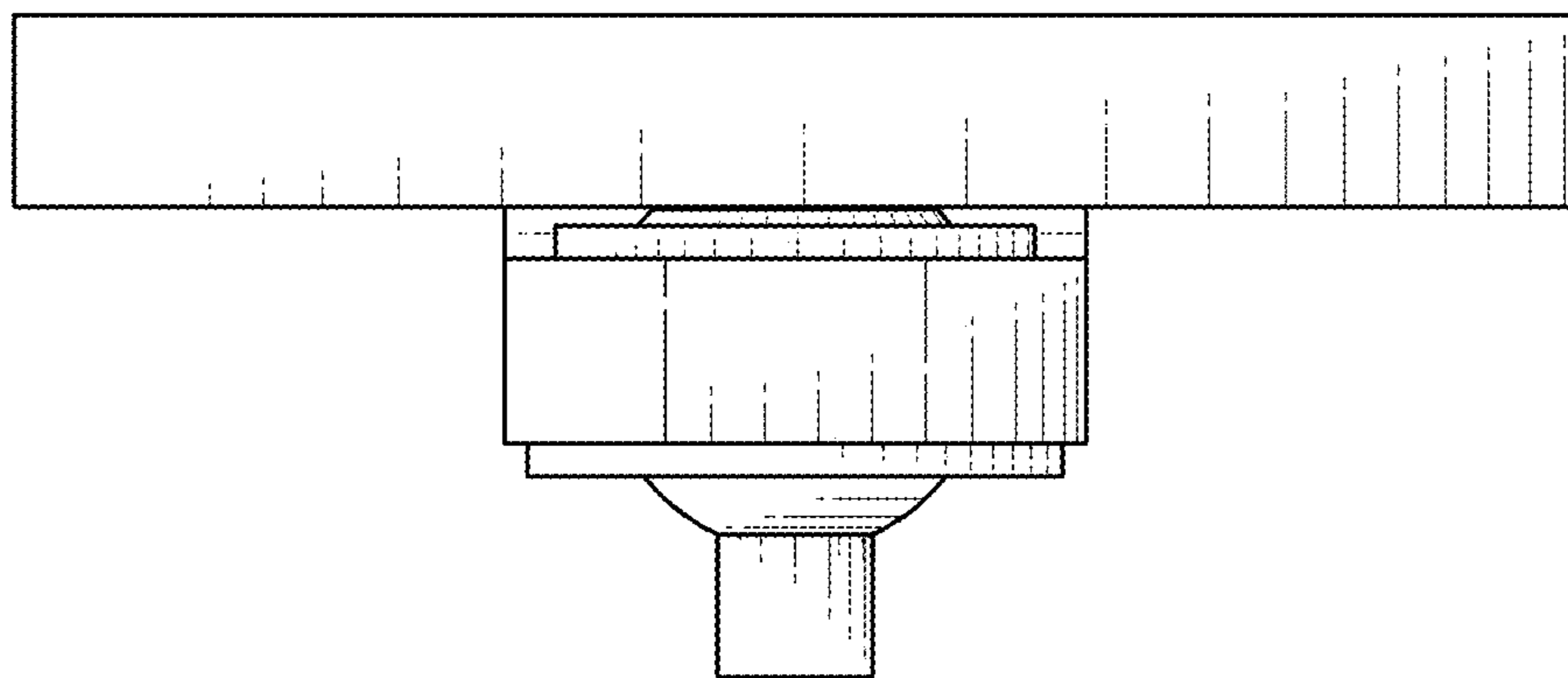


FIG. 3

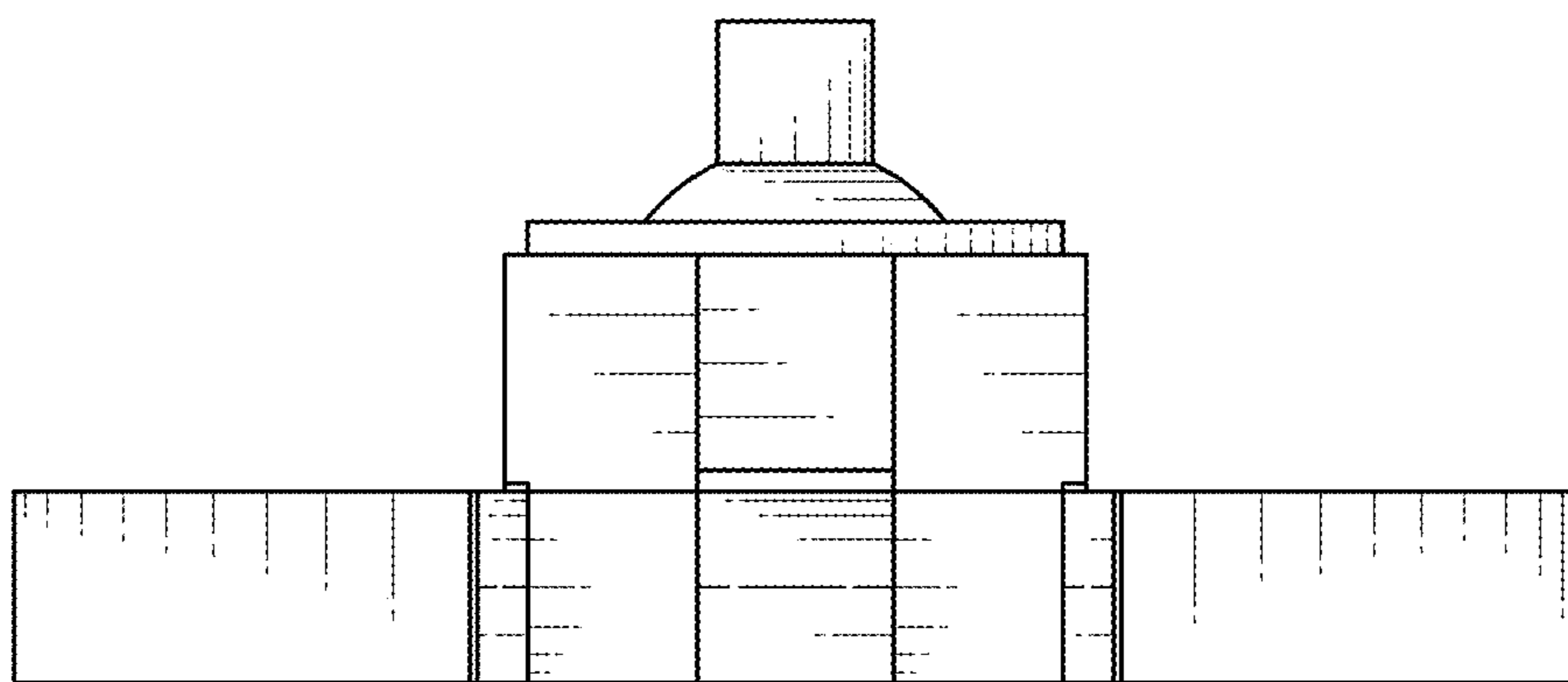


FIG. 4

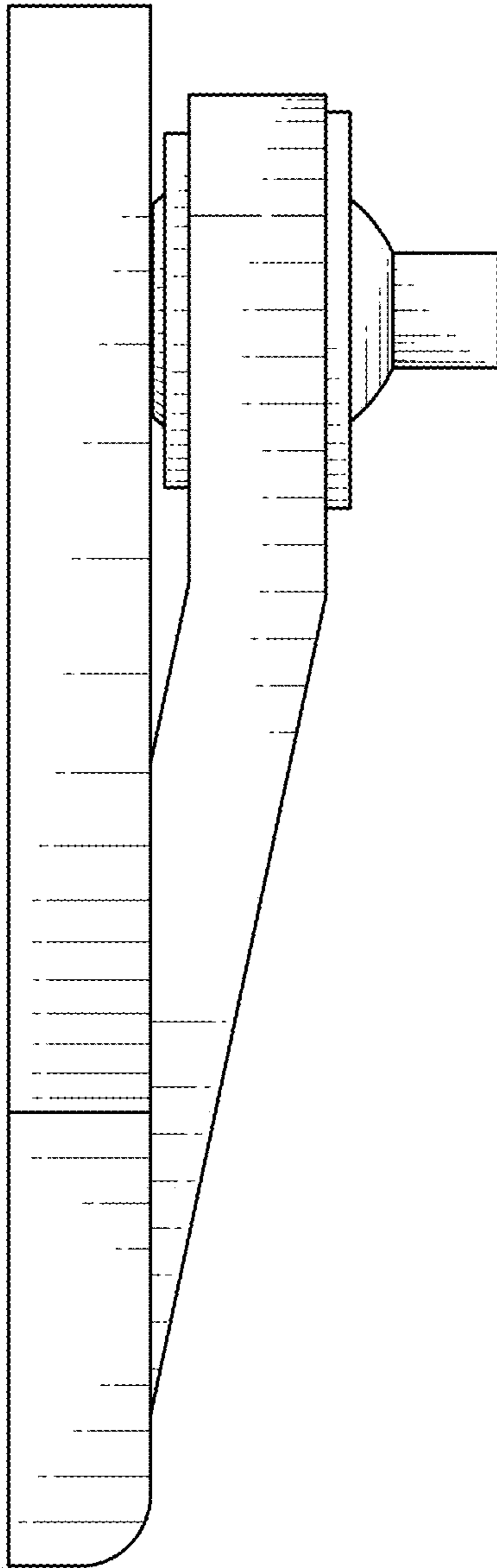


FIG. 5

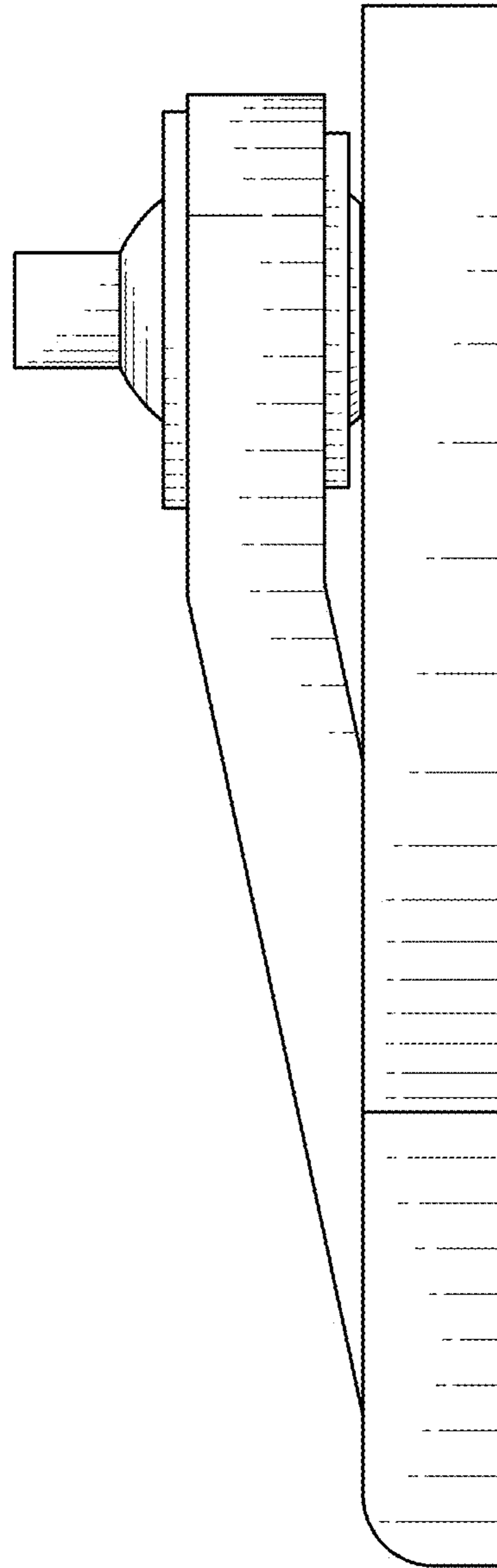


FIG. 6

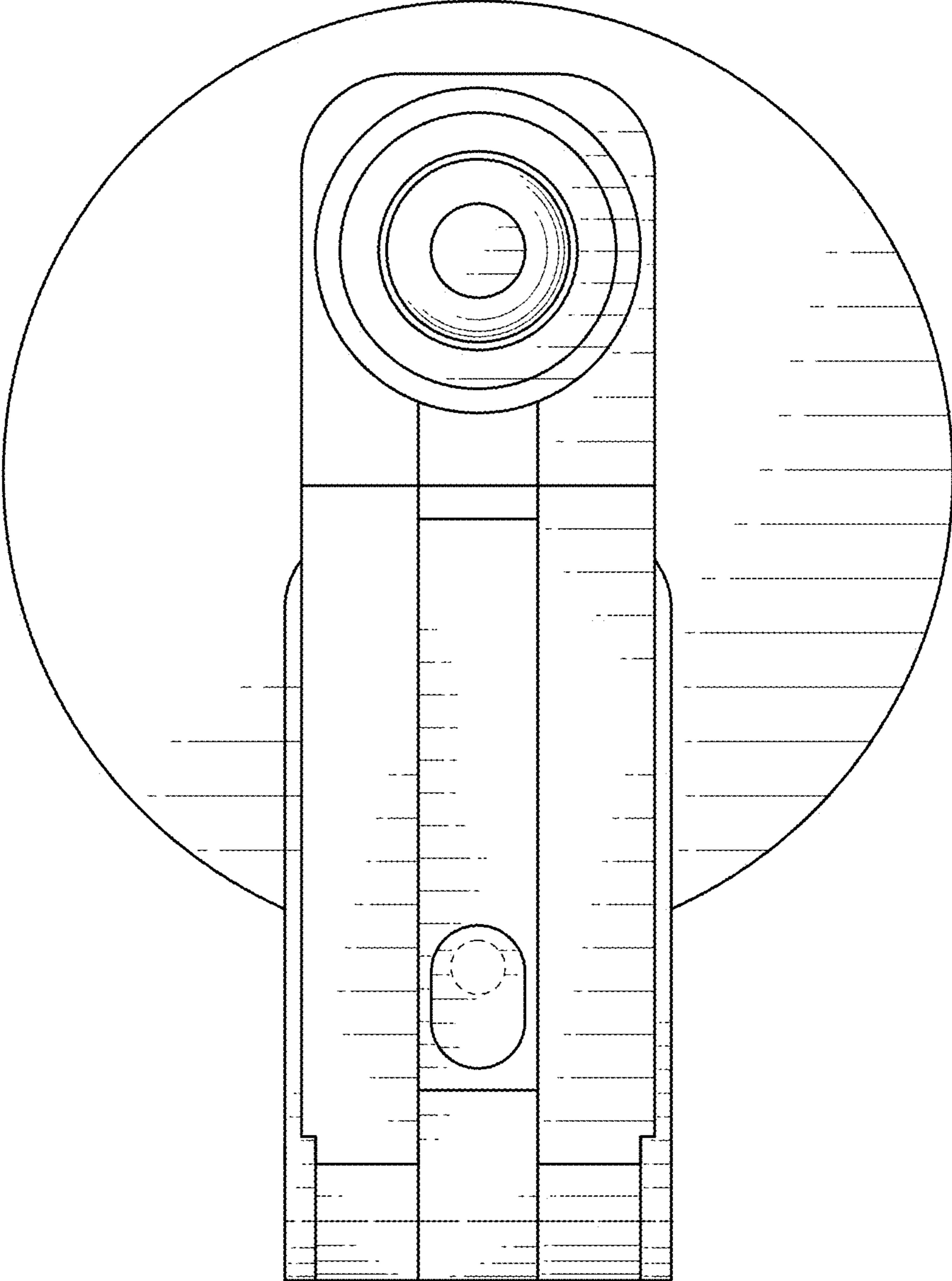


FIG. 7

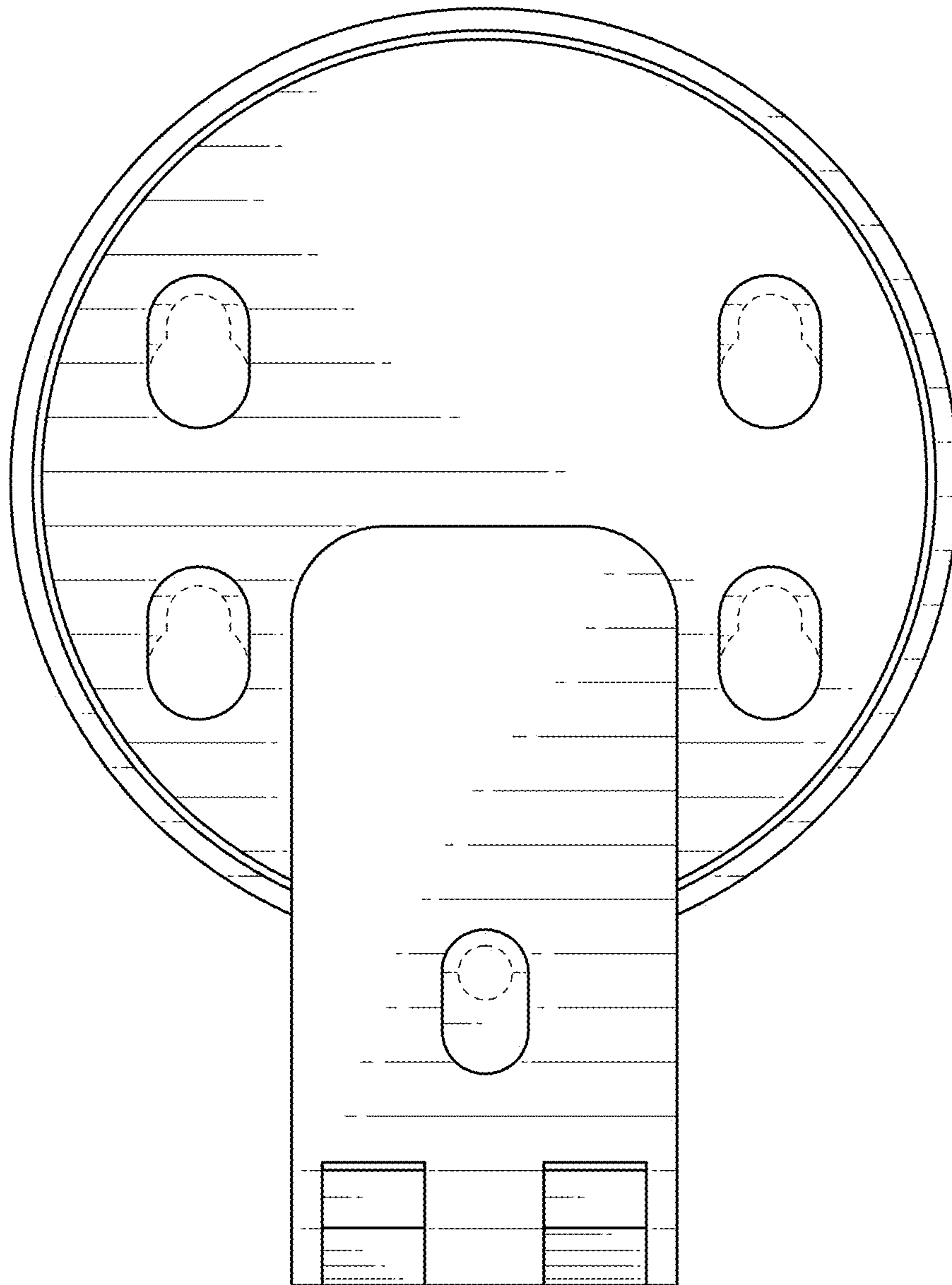


FIG. 8

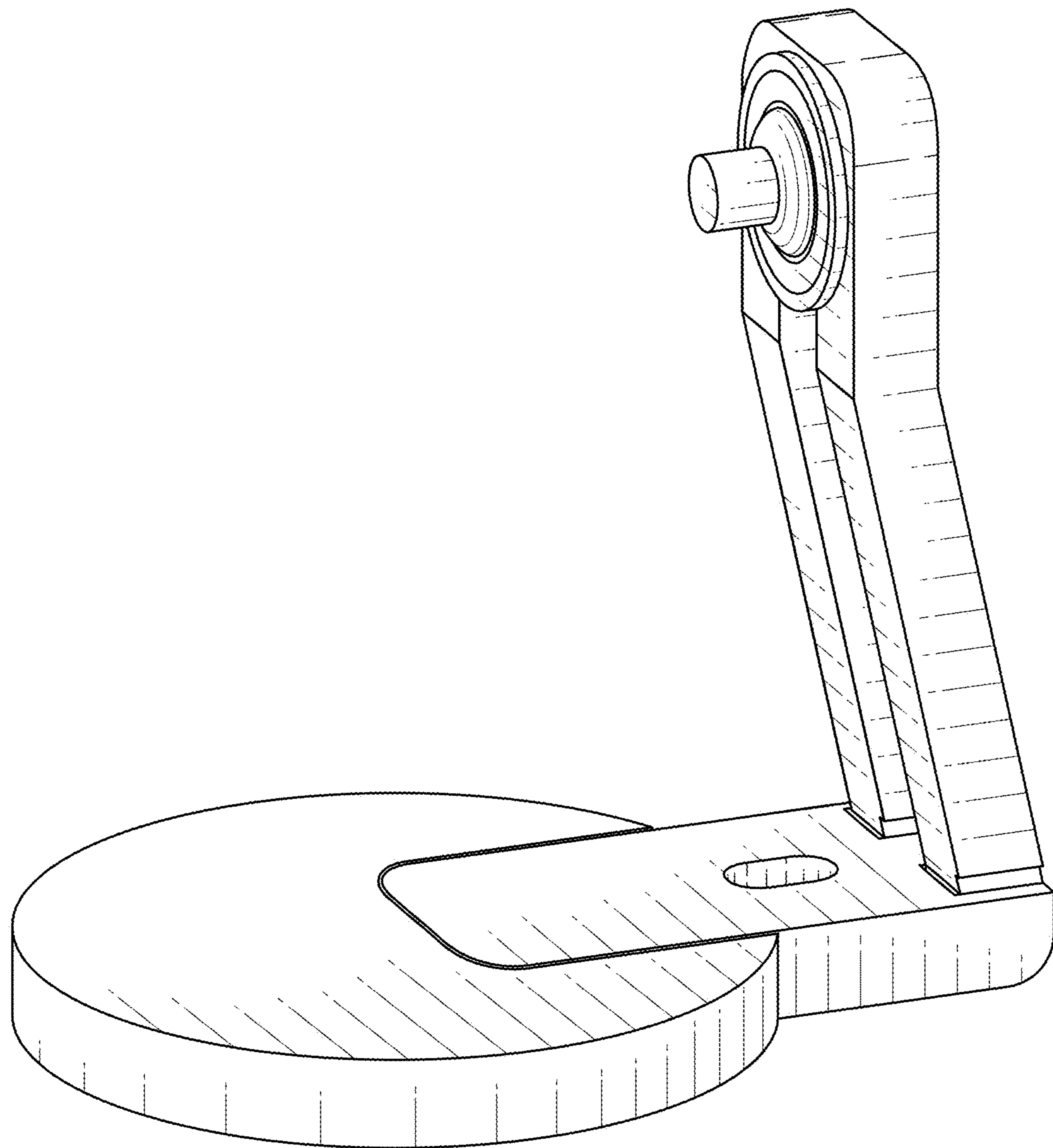


FIG. 9

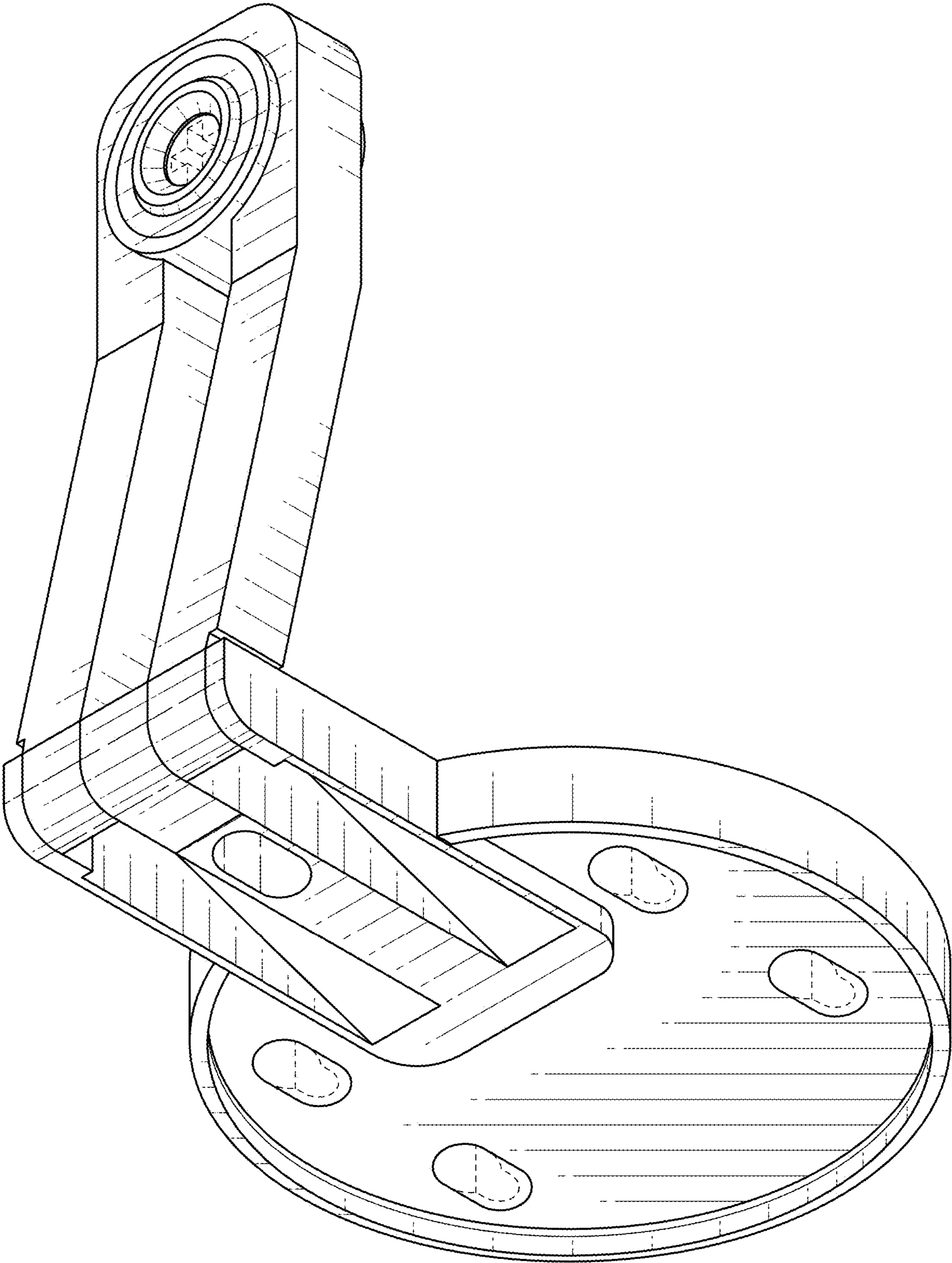


FIG. 10

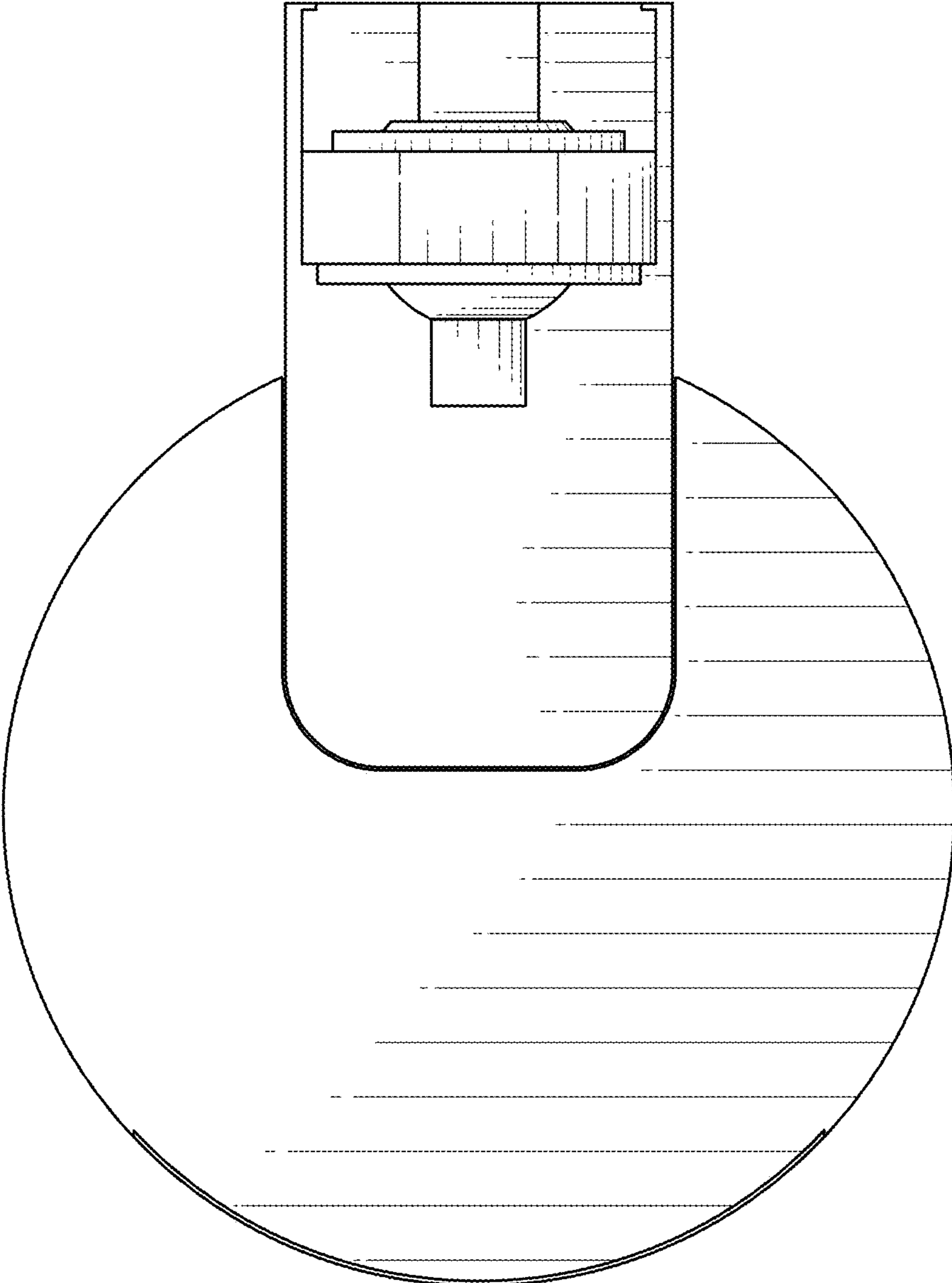


FIG. 11

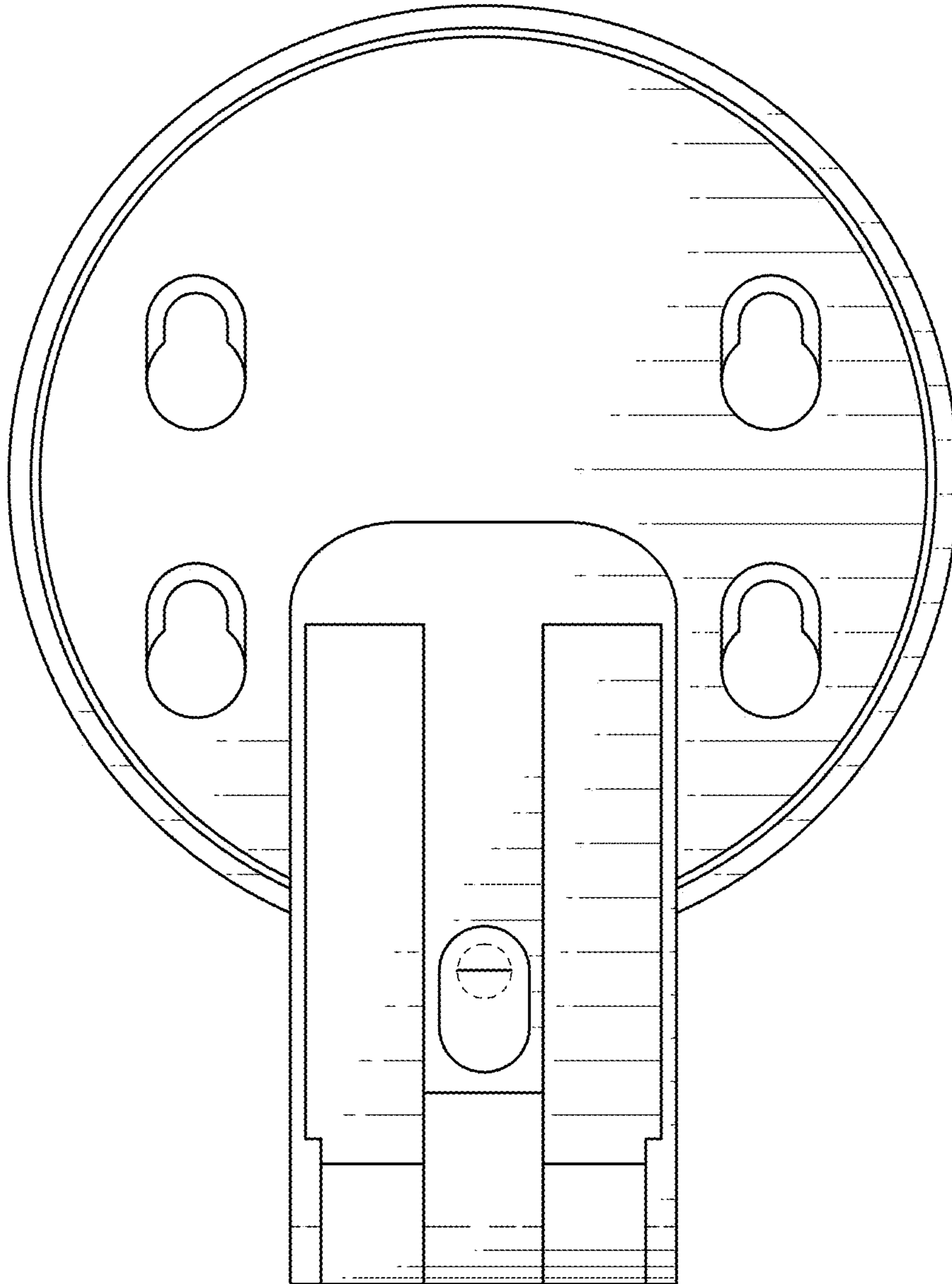


FIG. 12

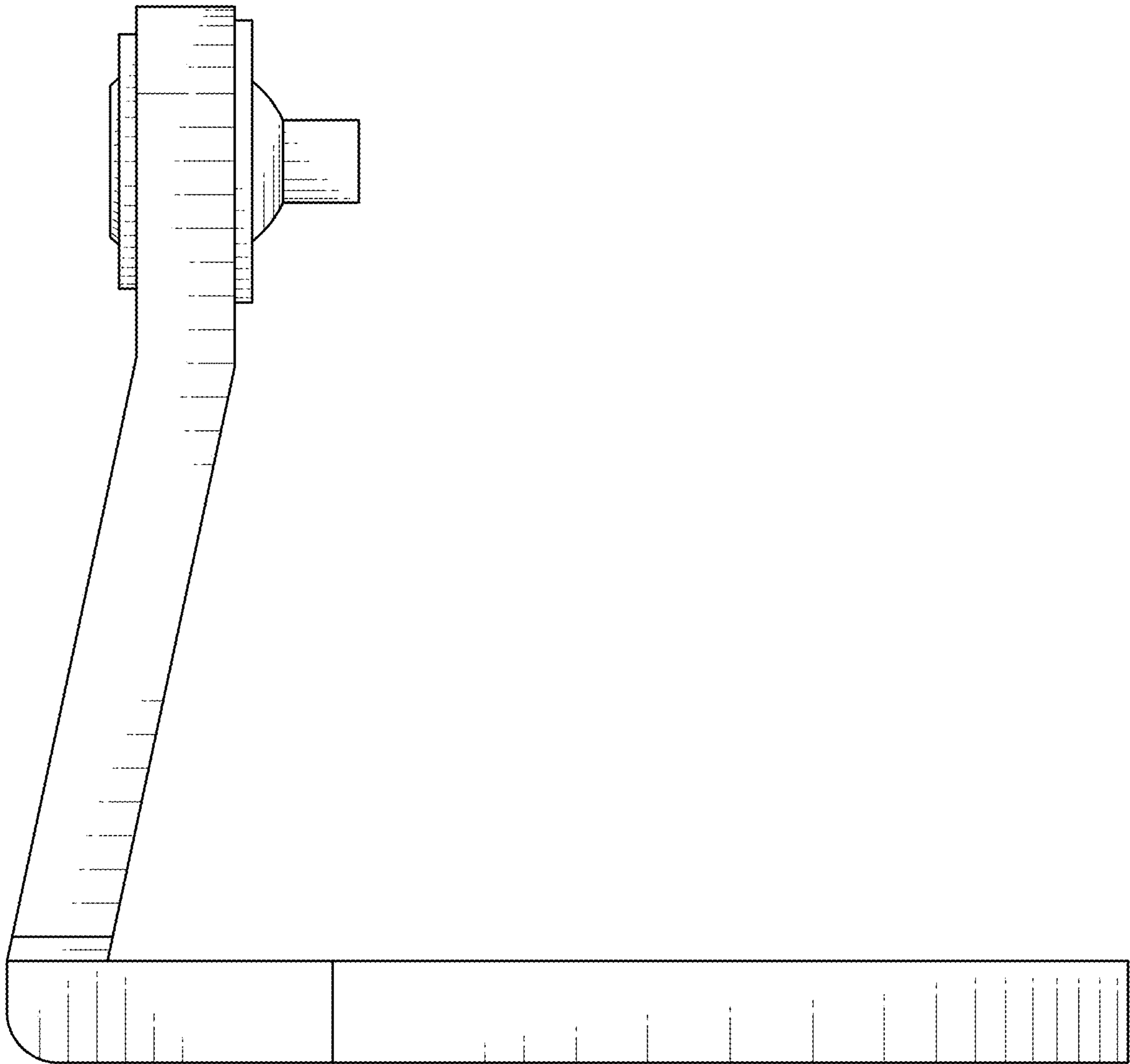


FIG. 13

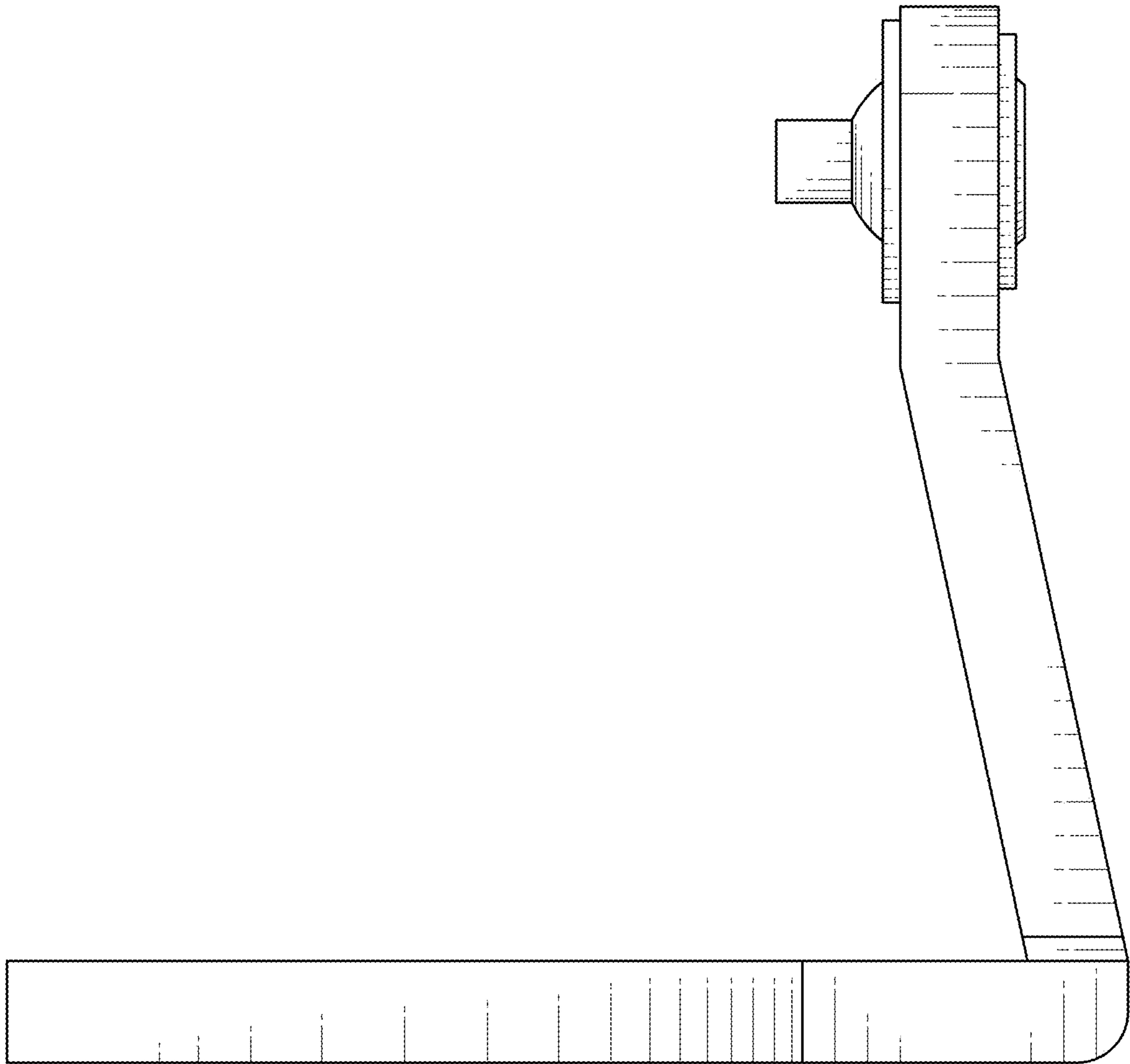


FIG. 14

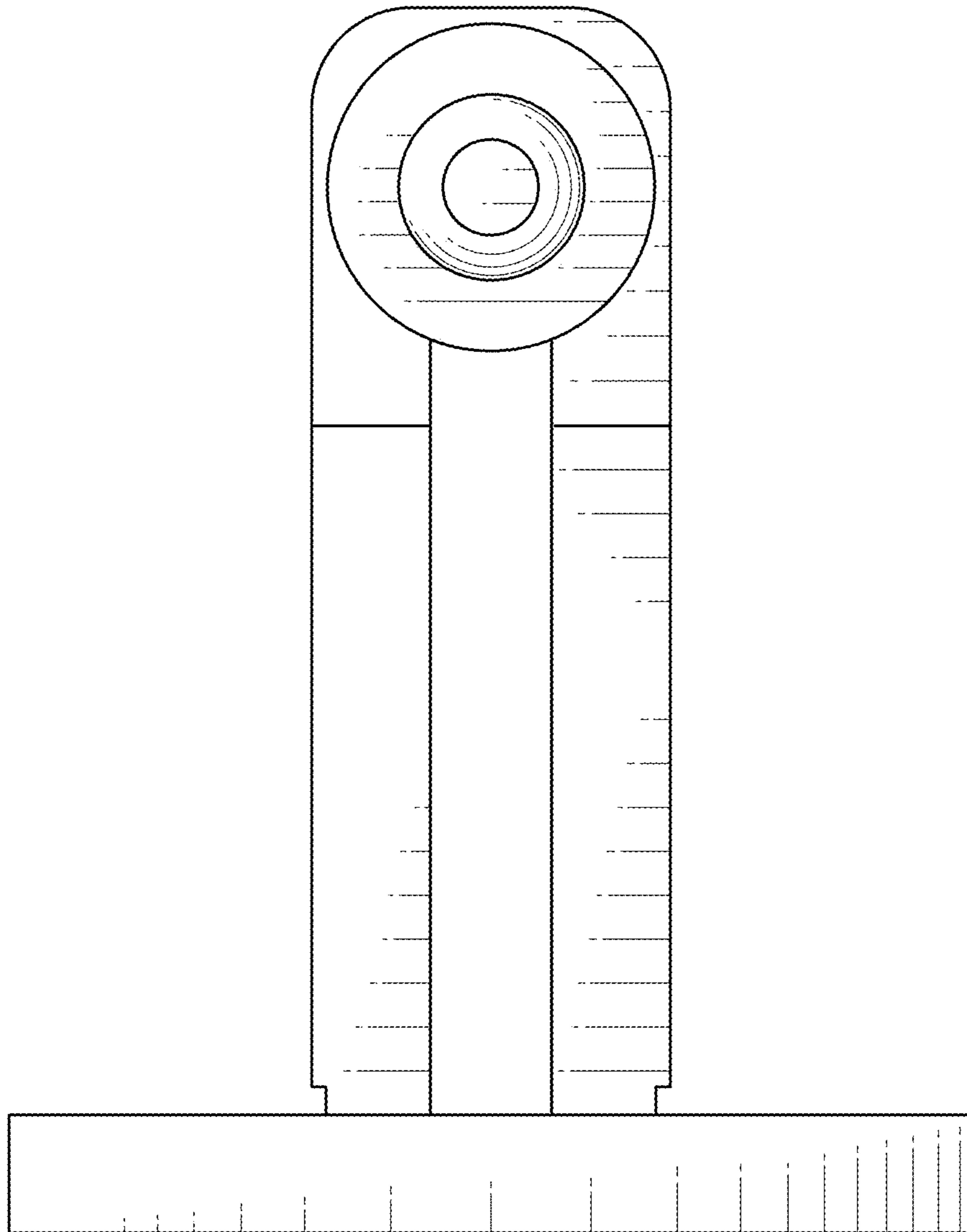


FIG. 15

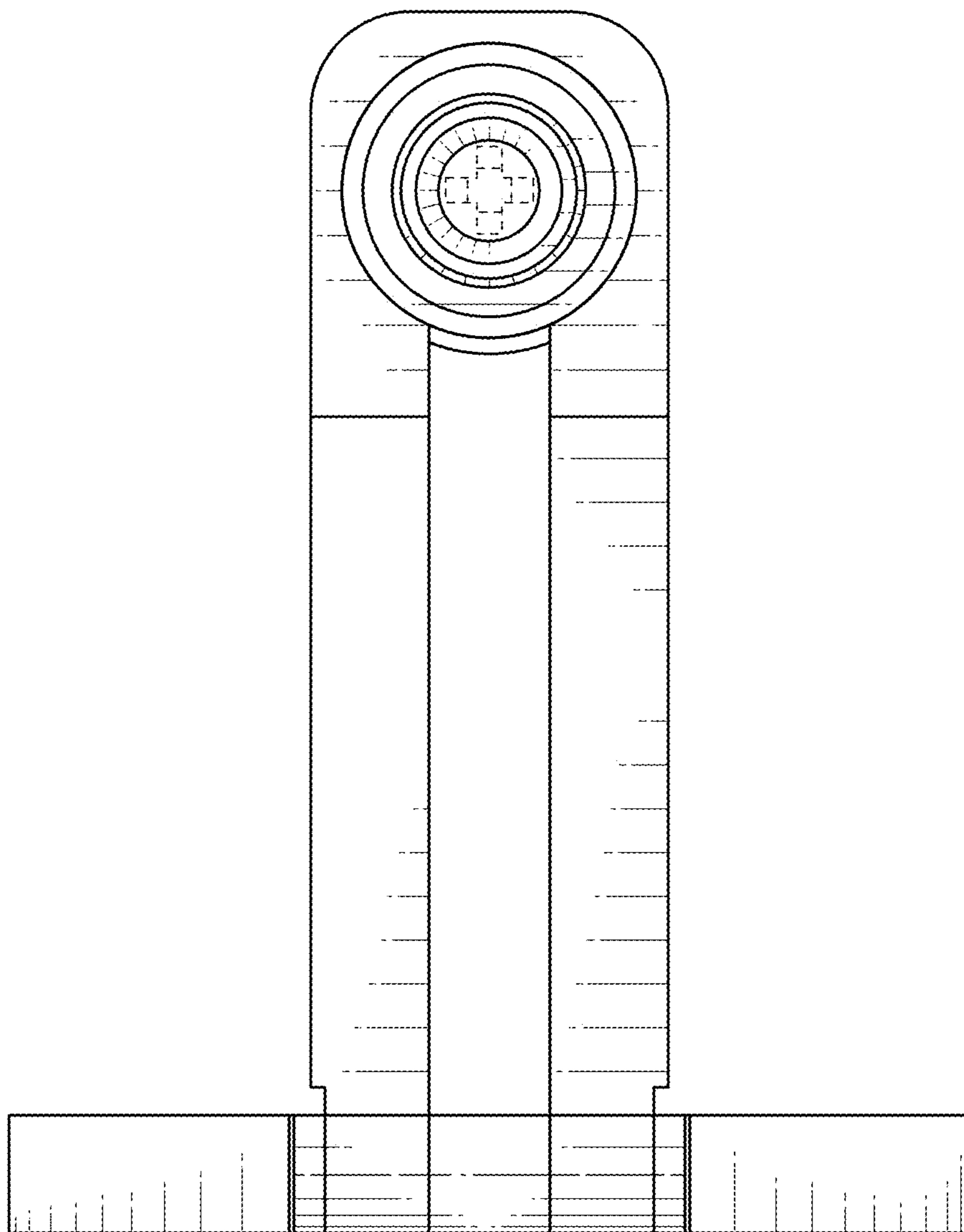


FIG. 16