



US00D870532S

(12) **United States Design Patent**  
**Marfione**

(10) **Patent No.:** **US D870,532 S**

(45) **Date of Patent:** **\*\* Dec. 24, 2019**

- (54) **SWITCHBLADE**
- (71) Applicant: **Anthony Louis Marfione**, Fletcher, NC (US)
- (72) Inventor: **Anthony Louis Marfione**, Fletcher, NC (US)
- (73) Assignee: **Microtech Knives, Inc.**, Bradford, PA (US)
- (\*\*) Term: **15 Years**
- (21) Appl. No.: **29/660,685**
- (22) Filed: **Aug. 22, 2018**
- (51) **LOC (12) Cl.** ..... **08-03**
- (52) **U.S. Cl.**  
USPC ..... **D8/99**
- (58) **Field of Classification Search**  
USPC ..... D8/98, 99, 100, 105, 107; D22/118  
CPC ..... B26B 5/001; B26B 5/003; B26B 11/00;  
B26B 1/08; B26B 1/02; B26B 1/10;  
B26B 1/04  
See application file for complete search history.

|              |         |             |         |
|--------------|---------|-------------|---------|
| 5,617,635 A  | 4/1997  | Berns       |         |
| D385,173 S   | 10/1997 | McWillis    |         |
| D387,966 S   | 12/1997 | Horn        |         |
| D389,389 S   | 1/1998  | Glesser     |         |
| 5,819,414 A  | 10/1998 | Marifone    |         |
| D407,002 S   | 3/1999  | Morton      |         |
| D407,004 S   | 3/1999  | Hull        |         |
| 6,085,423 A  | 7/2000  | Marifone    |         |
| 6,101,724 A  | 8/2000  | Halligan    |         |
| 6,148,522 A  | 11/2000 | Dobandi     |         |
| D435,421 S   | 12/2000 | Strider     |         |
| 6,154,965 A  | 12/2000 | Sakai       |         |
| D438,443 S   | 3/2001  | Keating     |         |
| D464,246 S   | 10/2002 | Sloan       |         |
| D473,917 S   | 4/2003  | Carter, III |         |
| D474,669 S   | 5/2003  | Onion       |         |
| D488,045 S   | 4/2004  | Onion       |         |
| D496,425 S * | 9/2004  | Carter, III | D22/118 |
| D505,057 S   | 5/2005  | Ralph       |         |
| D510,249 S   | 10/2005 | Ray         |         |
| D510,514 S * | 10/2005 | Ray         | D8/99   |
| 7,086,158 B1 | 8/2006  | Halpern     |         |
| 7,305,729 B2 | 12/2007 | Dehner      |         |
| 7,305,769 B2 | 12/2007 | McHenry     |         |

(Continued)

*Primary Examiner* — Philip S Hyder  
(74) *Attorney, Agent, or Firm* — Steve LeBlanc, LLC

(57) **CLAIM**

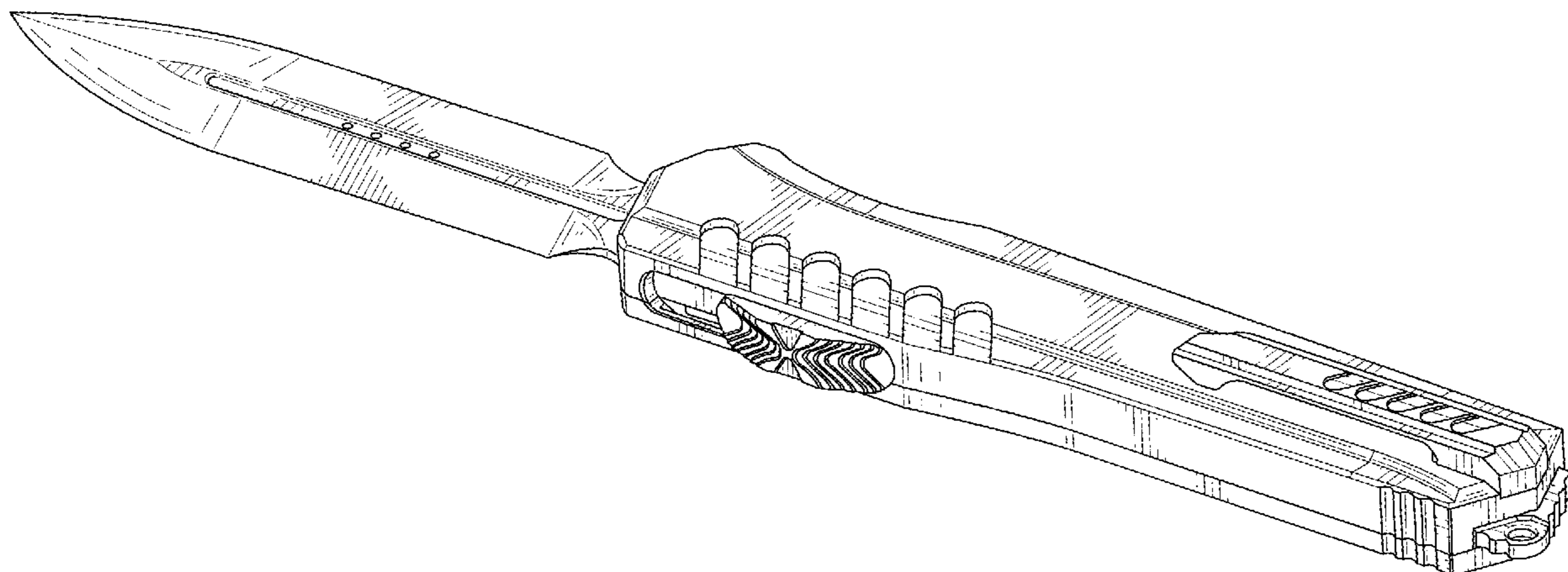
The ornamental design for a switchblade, as shown and described.

**DESCRIPTION**

FIG. 1 is a perspective view of the switchblade;  
FIG. 2 is a front view of the switchblade;  
FIG. 3 is a rear view of the switchblade;  
FIG. 4 is a left side view of the switchblade;  
FIG. 5 is a right side view of the switchblade;  
FIG. 6 is a top view of the switchblade; and,  
FIG. 7 is a bottom view of the switchblade.

**1 Claim, 4 Drawing Sheets**

- (56) **References Cited**  
U.S. PATENT DOCUMENTS
- |             |         |           |
|-------------|---------|-----------|
| 1,056,404 A | 3/1913  | Lorenzo   |
| 1,231,058 A | 6/1917  | Pansa     |
| 2,854,745 A | 10/1958 | Braverman |
| 4,089,112 A | 5/1978  | Richards  |
| D265,719 S  | 8/1982  | Dowdy     |
| D276,887 S  | 12/1984 | Sakurai   |
| 4,523,379 A | 6/1985  | Osterhout |
| 4,744,146 A | 5/1988  | Schmidt   |
| 4,947,552 A | 8/1990  | Barnes    |
| 5,060,379 A | 10/1991 | Neely     |
| D347,375 S  | 5/1994  | Sakai     |
| 5,502,895 A | 4/1996  | Lemaire   |
| 5,511,311 A | 4/1996  | Collins   |



(56)

References Cited

U.S. PATENT DOCUMENTS

|                |         |             |       |           |                   |         |           |                 |
|----------------|---------|-------------|-------|-----------|-------------------|---------|-----------|-----------------|
| D560,994 S *   | 2/2008  | Green       | ..... | D8/99     | D769,694 S        | 10/2016 | Mingyi    |                 |
| D567,055 S     | 4/2008  | Renzi       |       |           | 9,498,889 B1 *    | 11/2016 | Hawk      | ..... B26B 1/08 |
| D578,857 S     | 10/2008 | Yang-Fu     |       |           | 9,573,282 B1      | 2/2017  | Sheahan   |                 |
| D613,754 S     | 4/2010  | Barcheck    |       |           | D796,932 S *      | 9/2017  | Sung      | ..... D8/99     |
| D614,933 S     | 5/2010  | Freeman     |       |           | D810,540 S *      | 2/2018  | Marfione  | ..... D8/99     |
| 7,797,838 B2   | 9/2010  | Chu         |       |           | 10,220,527 B1 *   | 3/2019  | Marfione  | ..... B26B 9/02 |
| D636,051 S     | 4/2011  | Freeman     |       |           | D863,019 S *      | 10/2019 | Chalfant  | ..... D8/99     |
| 7,979,990 B2   | 7/2011  | Hawk et al. |       |           | 2005/0044717 A1   | 3/2005  | Nishihara |                 |
| 8,028,419 B2   | 10/2011 | VanHoy      |       |           | 2005/0252010 A1   | 11/2005 | Freeman   |                 |
| D666,887 S *   | 9/2012  | Wattenberg  | ..... | D8/99     | 2006/0143929 A1   | 7/2006  | Lake      |                 |
| D677,551 S     | 3/2013  | Pelton      |       |           | 2006/0207102 A1 * | 9/2006  | Bezold    | ..... B26B 1/08 |
| 8,595,941 B2 * | 12/2013 | Lee         | ..... | B26B 1/08 |                   |         |           | 30/162          |
|                |         |             |       | 30/151    | 2007/0175045 A1 * | 8/2007  | McHenry   | ..... B26B 1/08 |
| D697,780 S     | 1/2014  | Pelton      |       |           |                   |         |           | 30/162          |
| 8,671,578 B1   | 3/2014  | Frazer      |       |           | 2007/0204468 A1   | 9/2007  | Cheng     |                 |
| D706,107 S     | 6/2014  | Pelton      |       |           | 2008/0222895 A1 * | 9/2008  | Marfione  | ..... A62B 3/00 |
| D737,110 S     | 8/2015  | Schuff      |       |           |                   |         |           | 30/151          |
| D743,769 S     | 11/2015 | Glesser     |       |           | 2008/0222897 A1 * | 9/2008  | Marfione  | ..... B26B 1/08 |
| D753,459 S     | 4/2016  | Glesser     |       |           |                   |         |           | 30/162          |
| D765,217 S     | 8/2016  | Tom         |       |           | 2009/0235543 A1 * | 9/2009  | Hayashi   | ..... G01C 3/02 |
| D768,456 S     | 10/2016 | Cheng       |       |           |                   |         |           | 33/293          |
| D768,458 S     | 10/2016 | Mingyi      |       |           | 2012/0180320 A1   | 7/2012  | Lo        |                 |
|                |         |             |       |           | 2012/0304470 A1   | 12/2012 | Freeman   |                 |
|                |         |             |       |           | 2015/0367520 A1   | 12/2015 | MacNair   |                 |

\* cited by examiner

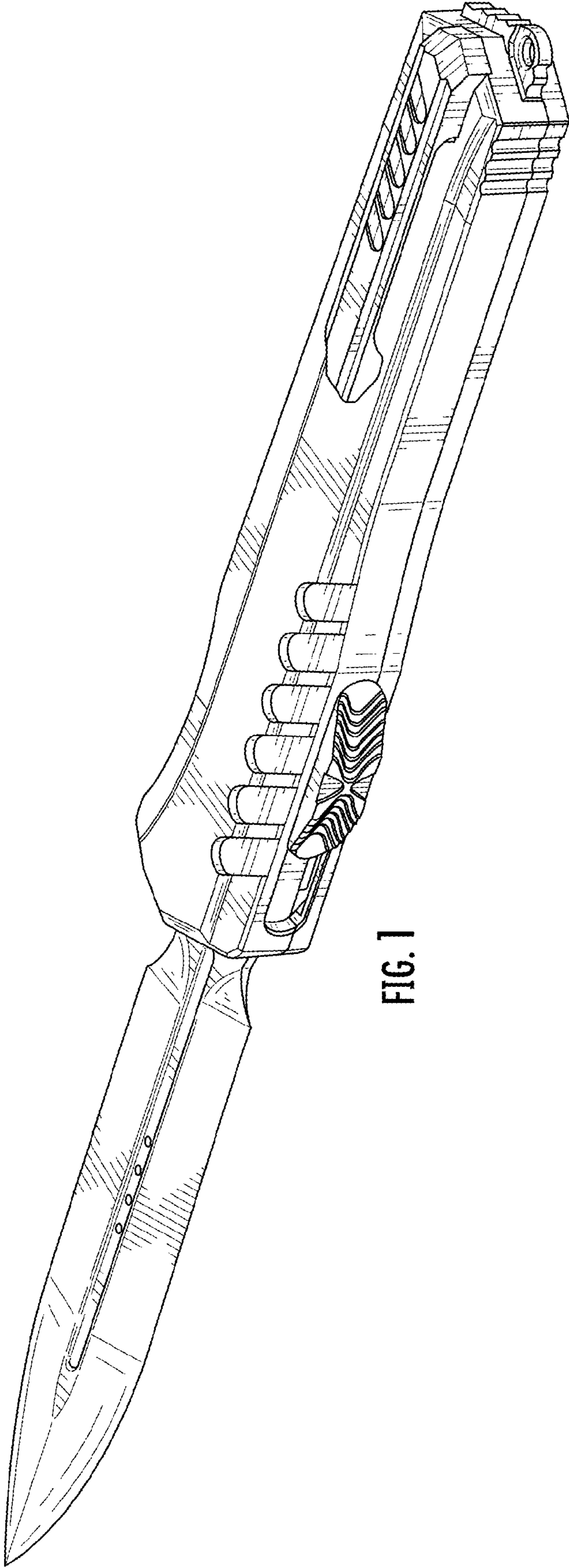


FIG. 1

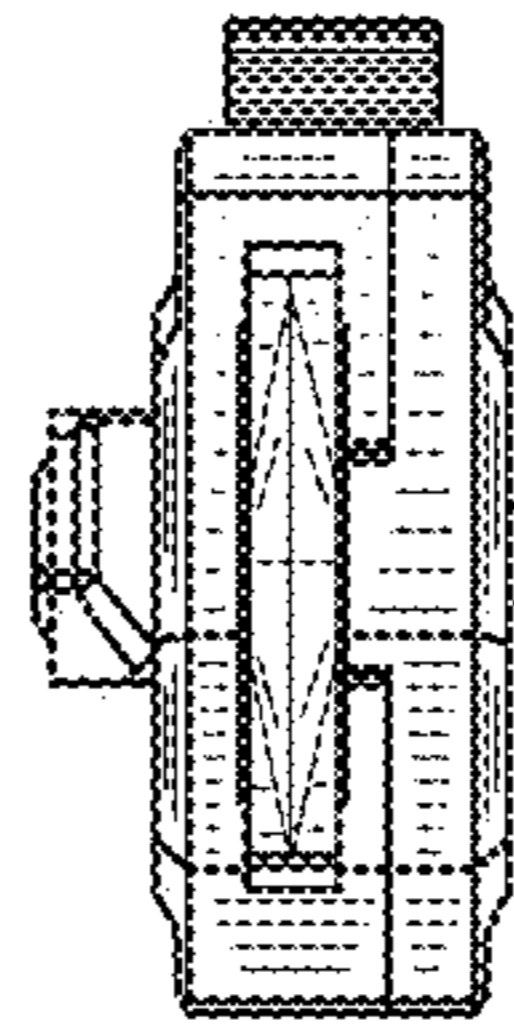


FIG. 2

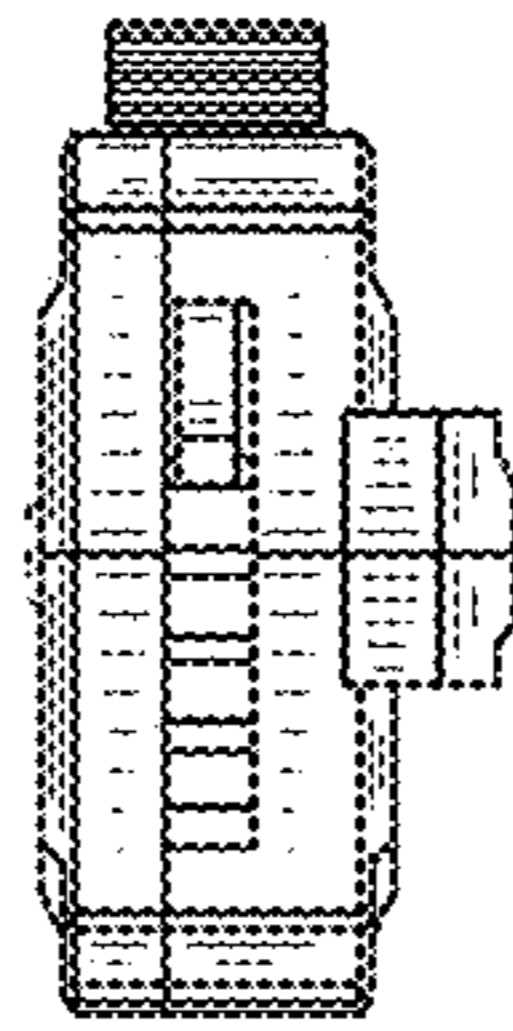


FIG. 3



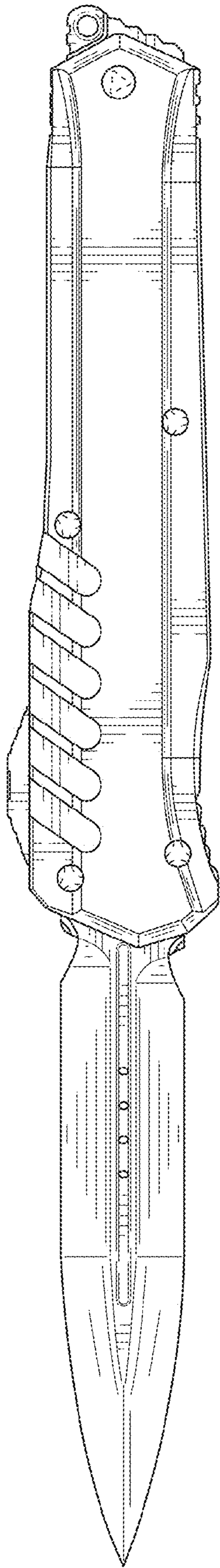


FIG. 4

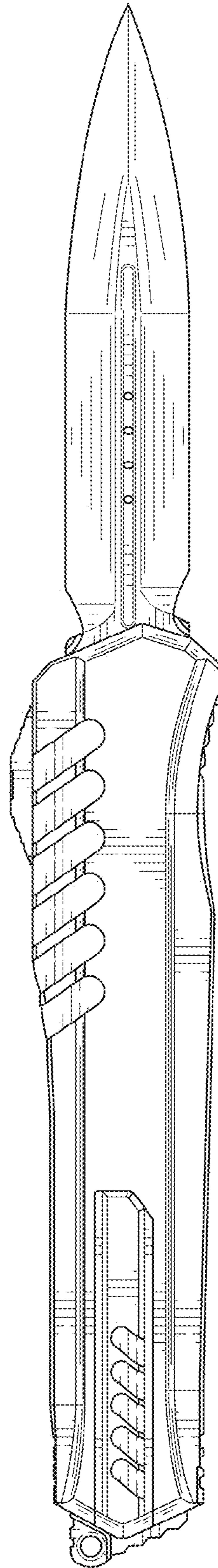


FIG. 5

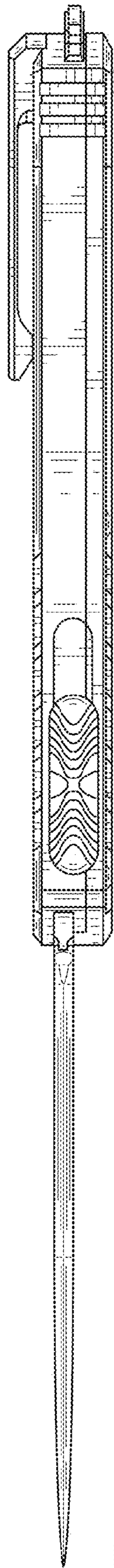


FIG. 6

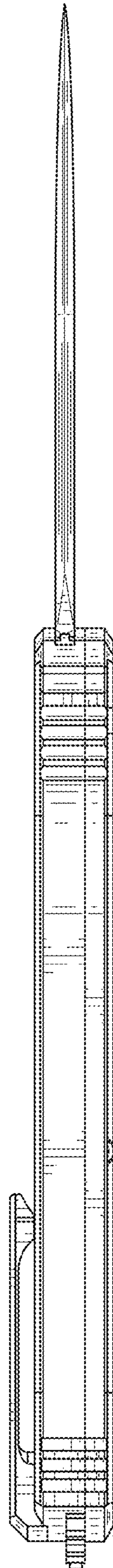


FIG. 7