



US00D870529S

(12) **United States Design Patent** (10) **Patent No.:** **US D870,529 S**
Whited (45) **Date of Patent:** **** Dec. 24, 2019**

(54) **ANNULAR BLADE FOR A LOW FRICTION ROTARY KNIFE**

(71) Applicant: **BETTCHER INDUSTRIES, INC.**,
Birmingham, OH (US)
(72) Inventor: **Jeffrey A. Whited**, Amherst, OH (US)
(73) Assignee: **Bettcher Industries, Inc.**, Birmingham,
OH (US)

(**) Term: **15 Years**
(21) Appl. No.: **29/617,492**
(22) Filed: **Sep. 14, 2017**

Related U.S. Application Data

(60) Continuation of application No. 15/178,673, filed on
Jun. 10, 2016, now abandoned, which is a
(Continued)
(51) **LOC (12) Cl.** **08-05**
(52) **U.S. Cl.**
USPC **D8/61**
(58) **Field of Classification Search**
USPC D8/61, 62, 67, 69; 81/57, 57.11, 57.14,
81/57.26, 429, 464, 469; 173/2, 170,
173/176, 181

(Continued)

(56) **References Cited**

U.S. PATENT DOCUMENTS

1,220,345 A 3/1917 Koster
1,374,988 A 4/1921 Cooper
(Continued)

FOREIGN PATENT DOCUMENTS

FR 1216947 4/1960

OTHER PUBLICATIONS

Oct. 3, 2011 Decision and Opinion of the United States Court of Appeals for the Federal Circuit (Appeal No. 2011-1038,-1046) regarding the case styled *Bettcher Industries, Inc. v. Bunzl USA, Inc. and Bunzl Processor Distribution, LLC*, Case No. 3:08 CV 2423, U.S. District Court for the Northern District of Ohio, Judge Zouhary. The Decision and Opinion relates to U.S. Pat. No. 7,000,325, which issued from U.S. Appl. No. 10/909,168, the great-grandparent of the present application (47 pages).

(Continued)

Primary Examiner — Austin Murphy

(74) *Attorney, Agent, or Firm* — John A. Yirga, Esq.;
Tarolli, Sundheim, Covell & Tummino LLP

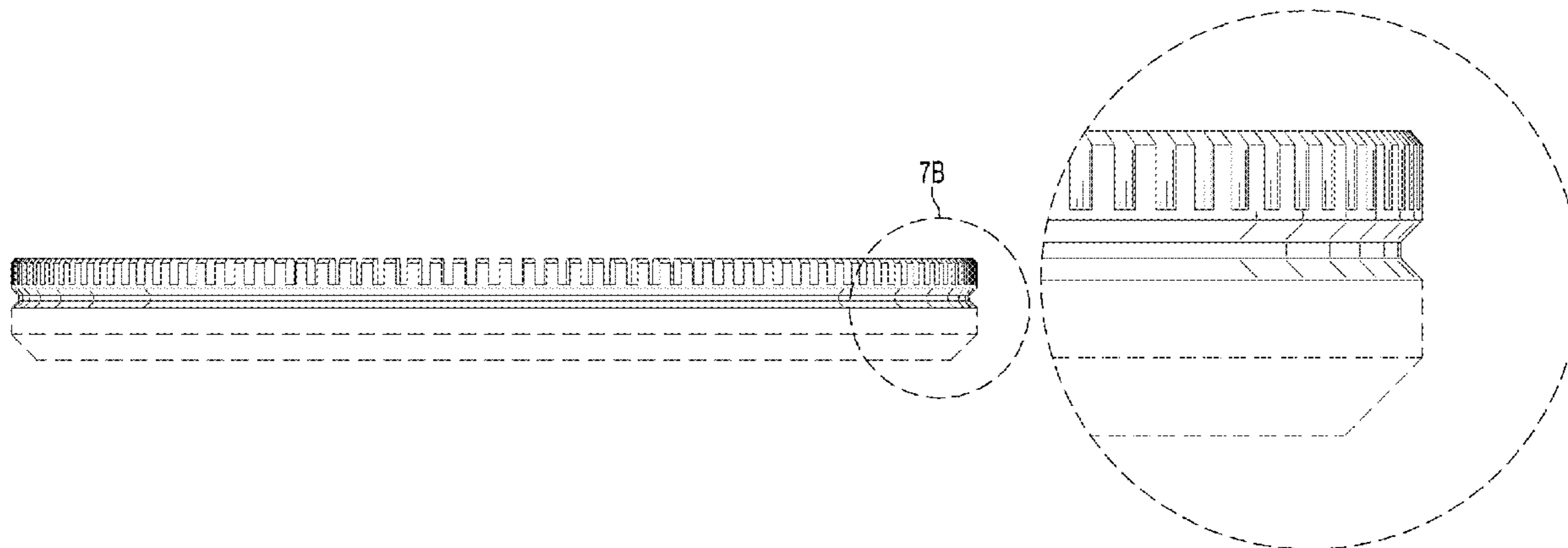
(57) **CLAIM**

The ornamental design for an annular blade for a low friction rotary knife, as shown and described.

DESCRIPTION

FIG. 1 is a top plan view of an annular blade for a low friction rotary knife in accordance with my ornamental design;
FIG. 2 is a side elevation view thereof;
FIG. 3 is a side elevation section view thereof, illustrating a section defined by section lines 3-3 in FIG. 1;
FIG. 4 is a magnified side elevation section view defined by section lines 4-4 of FIG. 1;
FIG. 5 is an upper perspective view of FIG. 1;
FIG. 6 is a lower perspective view of FIG. 1;
FIG. 7A are front, sides, and rear elevation views of FIG. 1, the front, sides, and rear elevation views all being the same; FIG. 7B is a magnified portion of FIG. 7A defined by the area in FIG. as 7B;
FIG. 8 is a top plan view of FIG. 1; and,
FIG. 9 is a bottom plan view of FIG. 1.
The dashed-broken lines shown are for environmental purposes only and form no part of the claimed design. The dashed-dot-dot lines designate boundaries and form no part of the claimed design.

1 Claim, 9 Drawing Sheets



Related U.S. Application Data

continuation of application No. 14/167,473, filed on Jan. 29, 2014, now Pat. No. 9,364,962, which is a continuation of application No. 13/314,830, filed on Dec. 8, 2011, now Pat. No. 8,671,580, which is a continuation of application No. 11/358,176, filed on Feb. 21, 2006, now Pat. No. 8,074,363, which is a continuation of application No. 10/909,168, filed on Jul. 30, 2004, now Pat. No. 7,000,325, which is a division of application No. 09/120,778, filed on Jul. 22, 1998, now Pat. No. 6,769,184.

- (58) **Field of Classification Search**
 CPC B25B 21/02; B25B 21/008; B25B 23/16;
 B25B 23/1405; A61B 17/1615
 See application file for complete search history.

- (56) **References Cited**

U.S. PATENT DOCUMENTS

1,476,345	A	9/1922	McGee	
2,268,888	A	12/1941	McCurdy et al.	
2,827,657	A	3/1958	Bettcher	
RE25,947	E	12/1965	Bettcher	
3,289,010	A	8/1966	Bettcher	
4,082,232	A	4/1978	Brewer	
4,170,063	A	10/1979	Bettcher	
4,178,683	A	12/1979	Bettcher	
4,198,750	A	4/1980	Bettcher	
4,236,531	A	12/1980	McCullough	
4,267,759	A	5/1981	Sullivan et al.	
4,326,361	A	4/1982	McGill	
4,363,170	A	12/1982	McCullough	
4,439,924	A	4/1984	Bettcher	
4,494,311	A	1/1985	McCullough	
4,509,281	A	4/1985	Bettcher	
4,516,323	A	5/1985	Bettcher et al.	
4,575,938	A	3/1986	McCullough	
4,609,227	A	9/1986	Wild et al.	
4,637,140	A	1/1987	Bettcher	
4,829,860	A	5/1989	VanderPol	
4,854,046	A	8/1989	Decker et al.	
4,909,640	A	3/1990	Nakanishi	
5,036,274	A *	7/1991	Seeburger B23D 59/002 324/207.16
5,099,721	A	3/1992	Decker et al.	
5,331,877	A	7/1994	Ishii	
5,369,886	A *	12/1994	Gallatin A01G 3/08 30/123
5,419,619	A	5/1995	Lew	
5,522,142	A	6/1996	Whited	
5,529,532	A	6/1996	Desrosiers	
5,664,332	A	9/1997	Whited et al.	

5,692,307	A *	12/1997	Whited B26B 25/002 30/276
5,836,701	A	11/1998	Vranish	
5,971,413	A	10/1999	El-Kassouf	
6,615,494	B2 *	9/2003	Long A22B 5/165 30/138
6,662,452	B2 *	12/2003	Whited B26B 25/002 30/276
6,761,817	B2	7/2004	Connery	
6,769,184	B1	8/2004	Whited	
6,785,971	B2 *	9/2004	McDonnell B23D 45/16 30/389
6,857,191	B2	2/2005	Whited	
7,000,325	B2	2/2006	Whited	
7,228,880	B2 *	6/2007	Taillon A01G 23/08 144/24.12
8,037,611	B2 *	10/2011	Levsen A22B 5/165 30/276
8,074,363	B2	12/2011	Whited	
8,555,513	B2 *	10/2013	Moreland B26B 25/005 30/292
8,661,692	B2 *	3/2014	Whited B26B 25/002 30/276
8,671,580	B2	3/2014	Whited	
8,695,222	B2 *	4/2014	Whited A22B 5/165 30/267
8,726,524	B2 *	5/2014	Whited A22B 5/165 30/276
8,739,416	B2 *	6/2014	Mascari A22B 5/165 30/276
8,745,881	B2 *	6/2014	Thompson B26B 25/002 30/276
8,806,761	B2 *	8/2014	Whited A22B 5/165 30/276
9,121,438	B2 *	9/2015	Mascari F16C 1/02
9,227,334	B2 *	1/2016	Colombatto B26D 1/0006
9,321,183	B2 *	4/2016	Steele B26B 25/002
9,364,962	B2	6/2016	Whited	
9,522,473	B2 *	12/2016	Mascari B26B 25/002
9,592,076	B2 *	3/2017	Esarey A61B 17/322
9,833,919	B2 *	12/2017	Mascari B26B 25/002
10,040,211	B2 *	8/2018	Whited A22B 5/165
10,124,500	B2 *	11/2018	Whited B26B 25/00
2016/0279818	A1	9/2016	Whited	

OTHER PUBLICATIONS

Jul. 28, 2011 Decision on Appeal of the Board of Patent Appeals and Interferences (Appeal No. 20011-00791, Control No. 95/001,130) regarding the inter partes reexamination of U.S. Pat. No. 7,000,325, which issued from U.S. Appl. No. 10/909,168, the great-grandparent of the present application (13 pages).

* cited by examiner

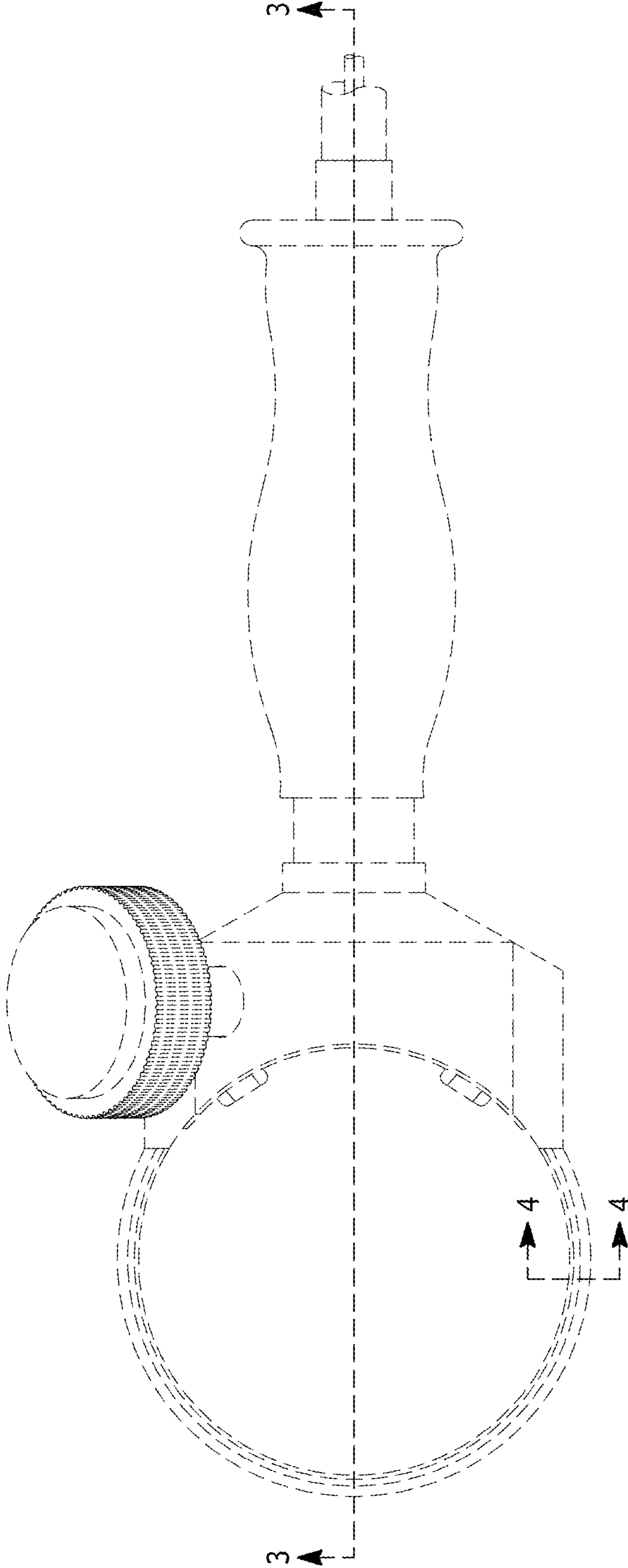


FIG. 1

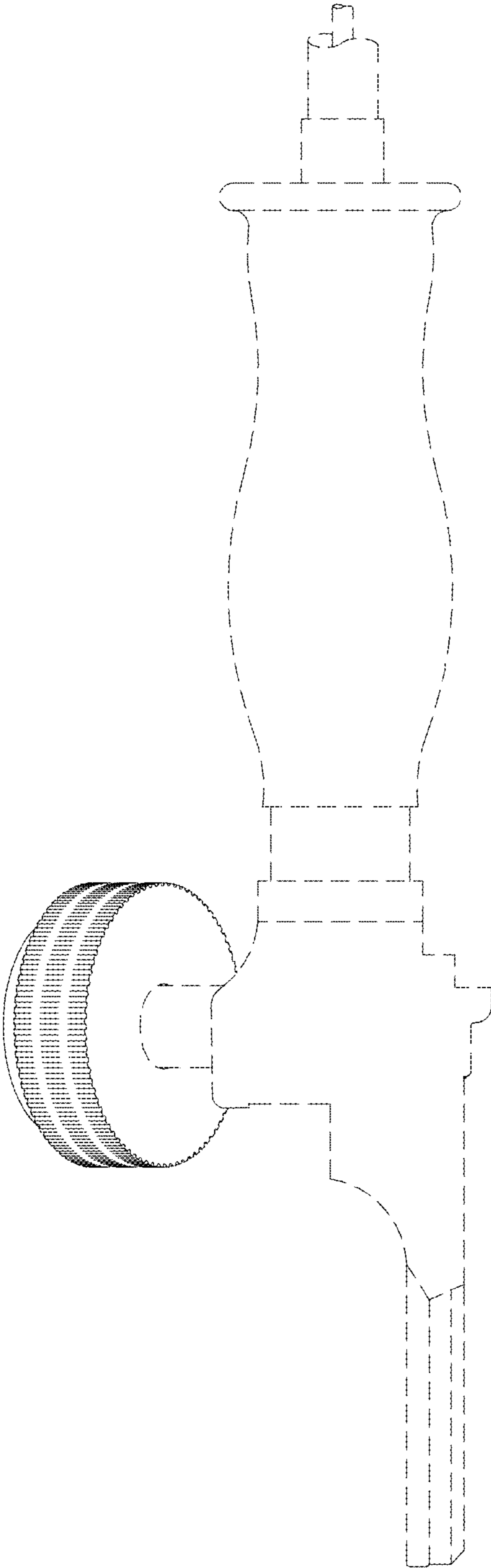


FIG. 2

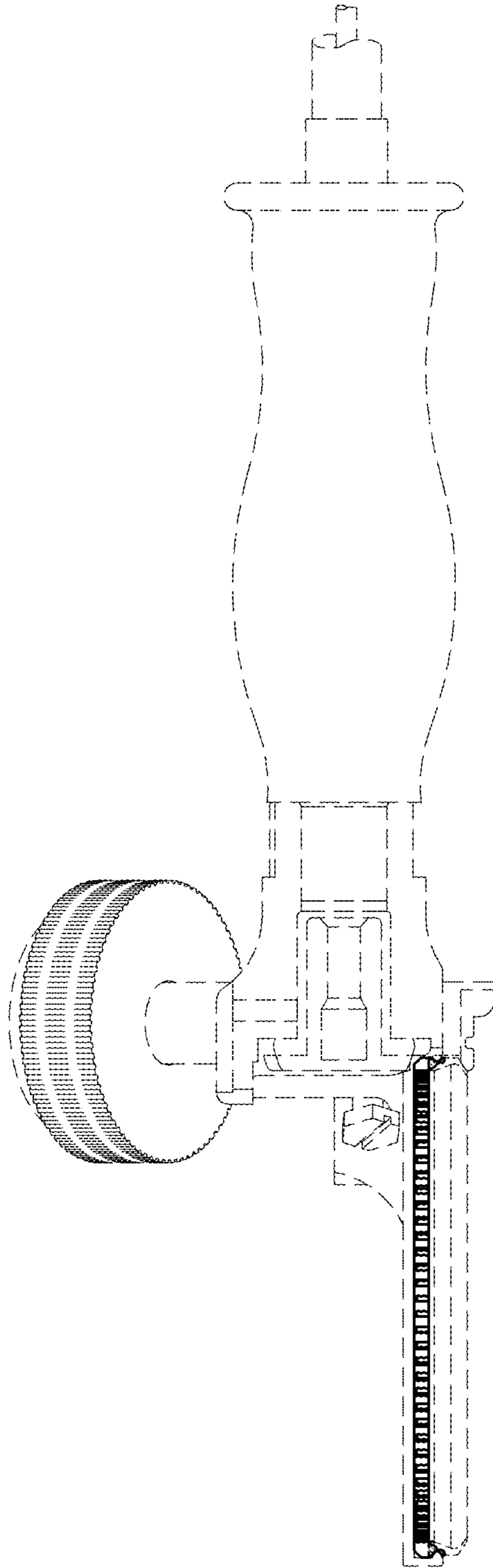


FIG. 3

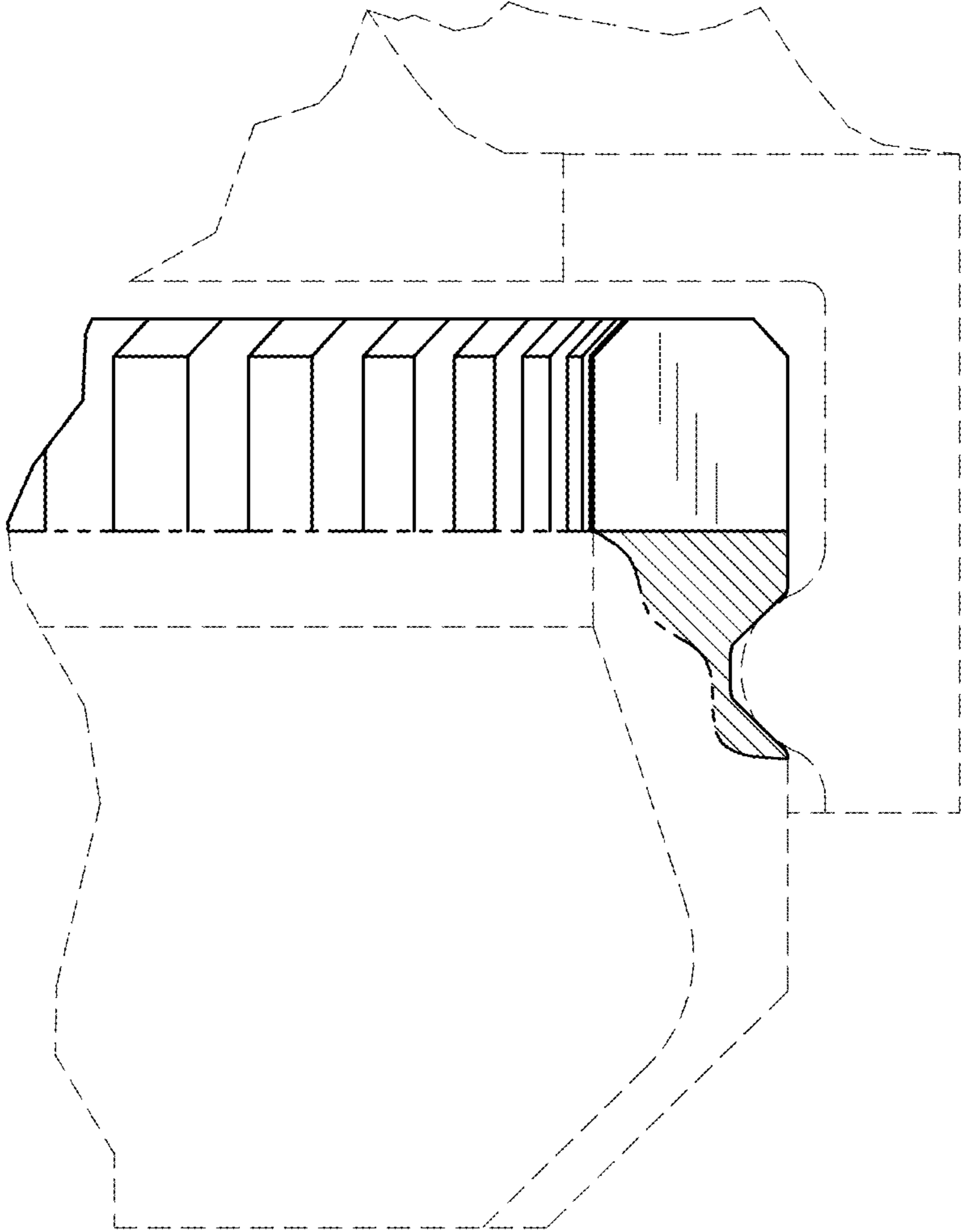


FIG. 4

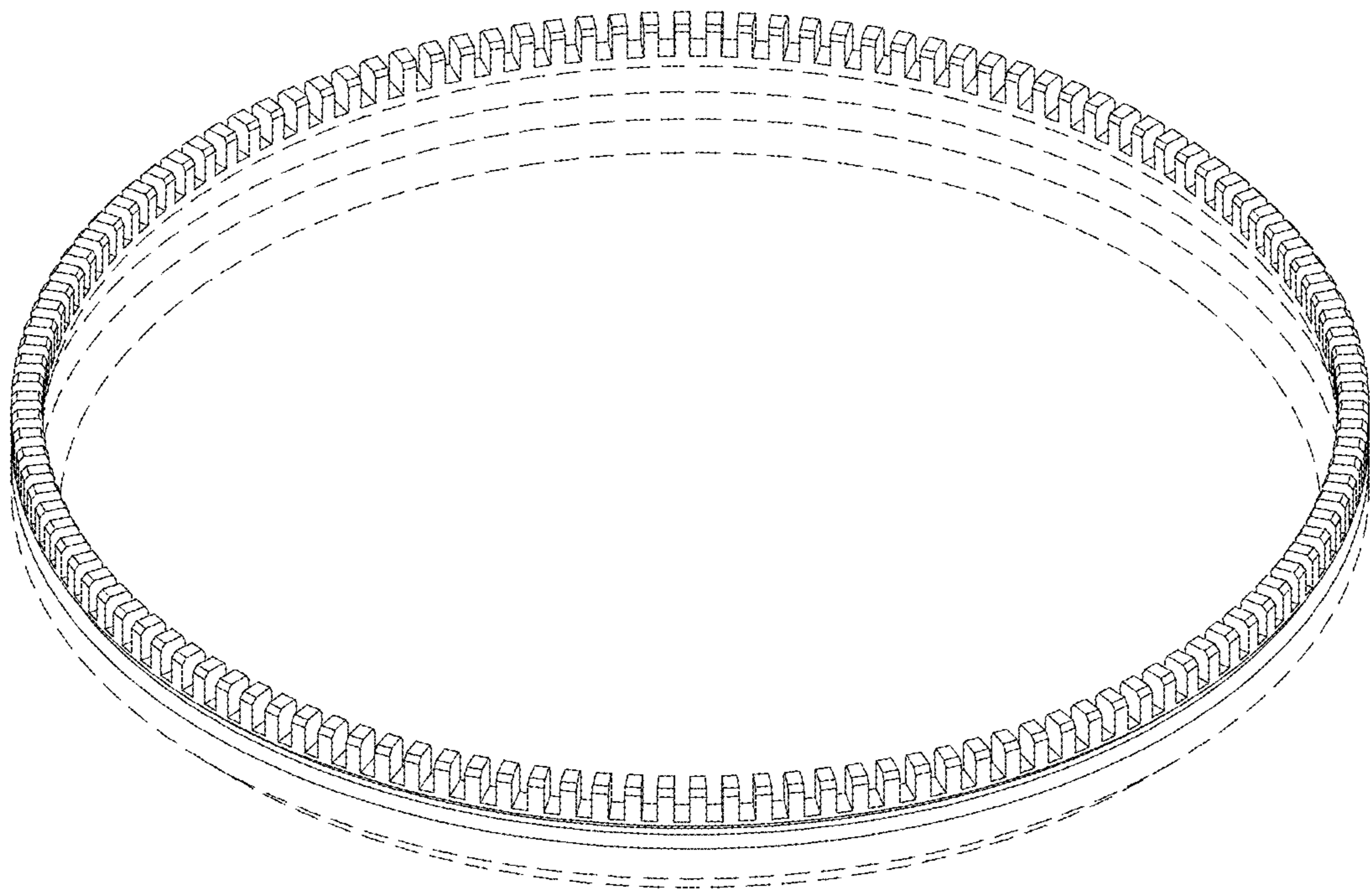


FIG. 5

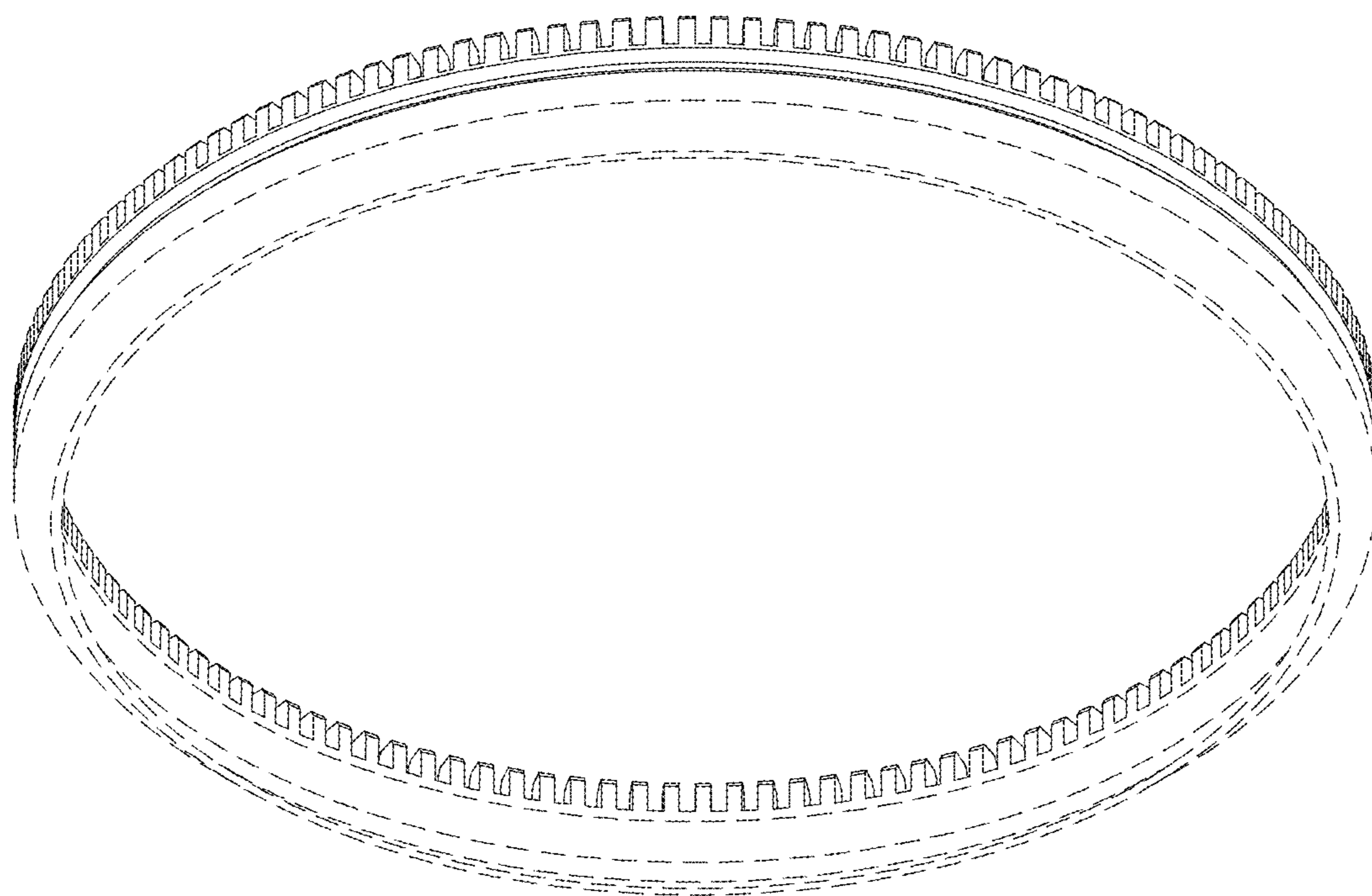


FIG. 6

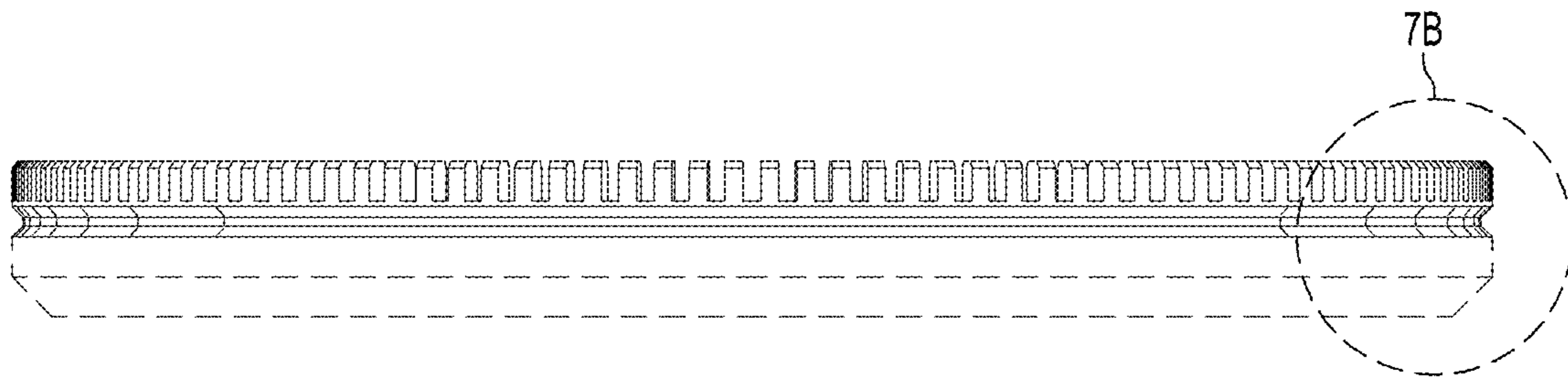


FIG. 7A

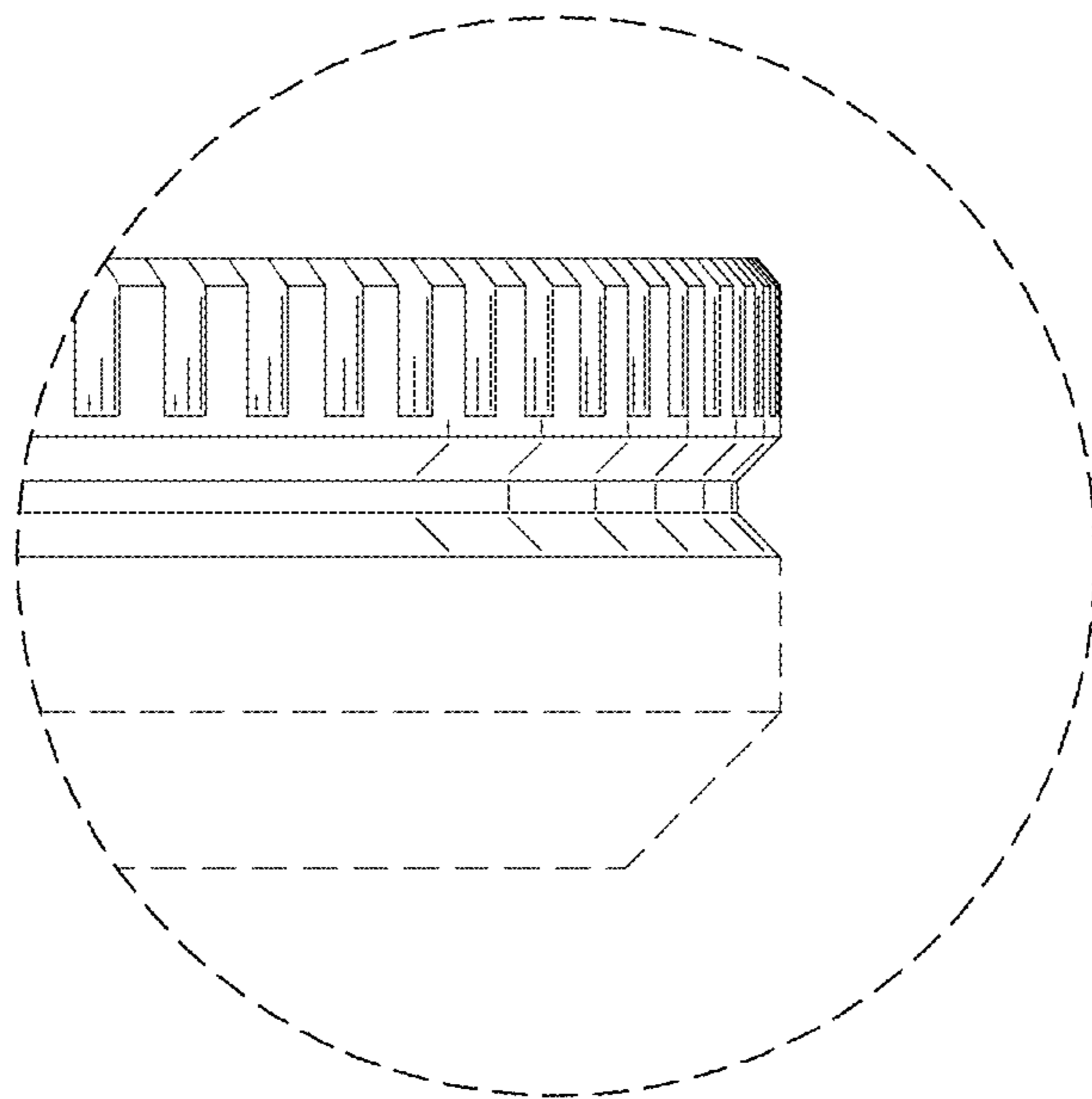


FIG. 7B

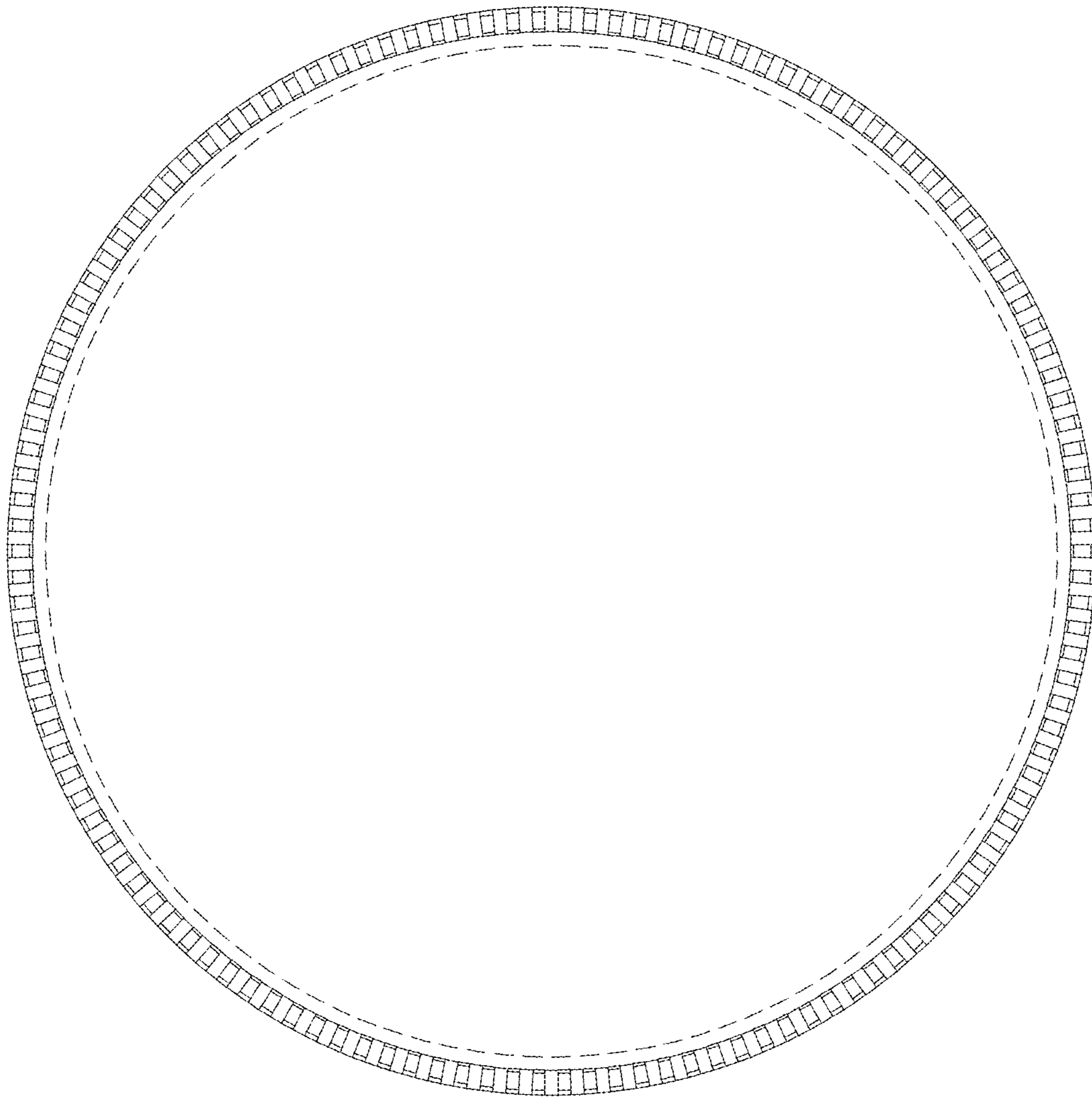


FIG. 8

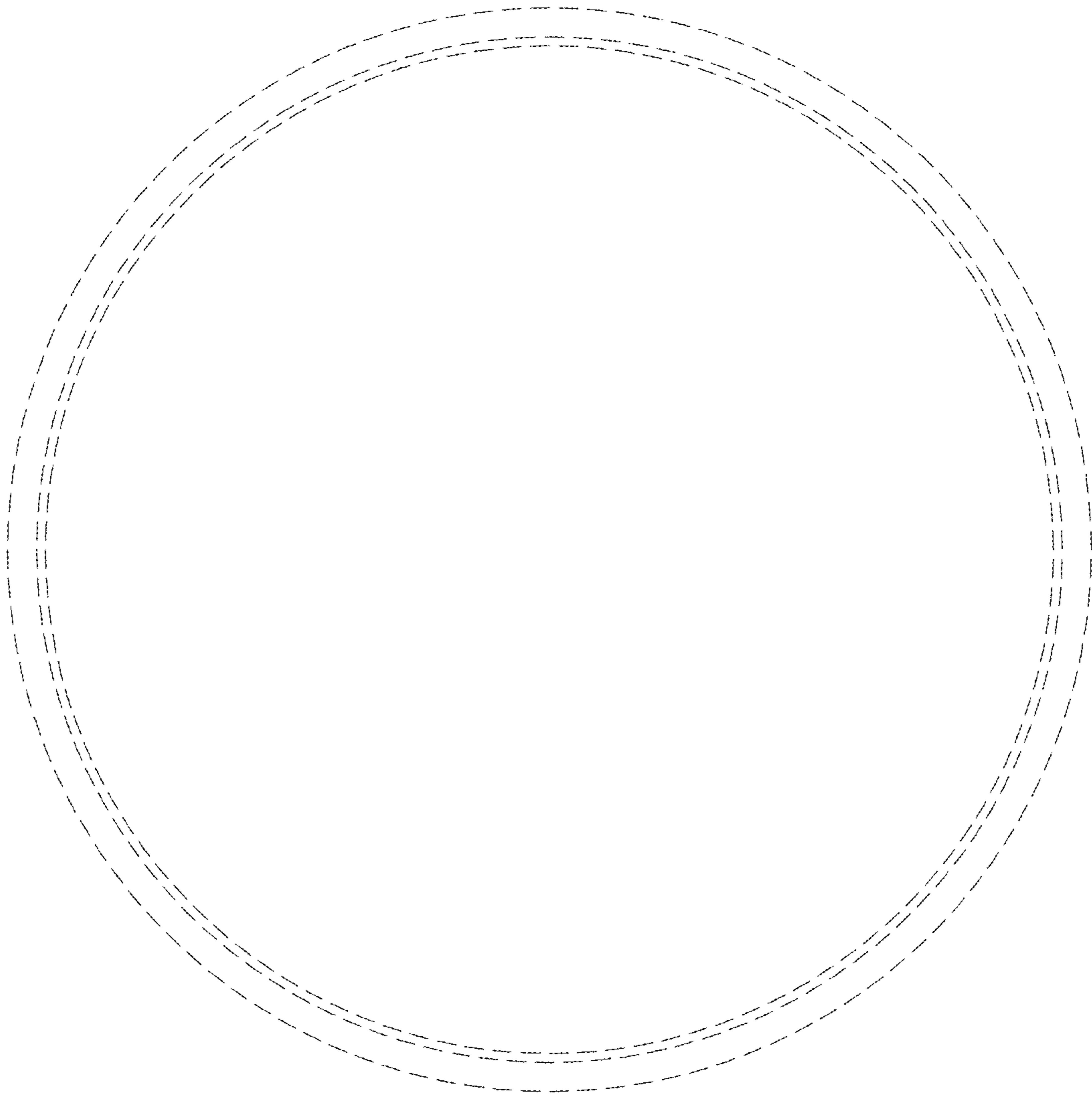


FIG. 9