



US00D870526S

(12) **United States Design Patent** (10) **Patent No.:** **US D870,526 S**
Patrizio et al. (45) **Date of Patent:** **** *Dec. 24, 2019**

(54) **CORKSCREW**
(71) Applicant: **PATRICK S.R.L.**, Maniago (PN) (IT)
(72) Inventors: **Alessandra Patrizio**, Maniago (IT);
Cesare Patrizio, Maniago (IT)
(73) Assignee: **PATRICK S.R.L.**, Maniago (PN) (IT)
(*) Notice: This patent is subject to a terminal disclaimer.
(**) Term: **15 Years**
(21) Appl. No.: **29/641,839**
(22) Filed: **Mar. 26, 2018**
(30) **Foreign Application Priority Data**

Oct. 5, 2017 (EM) 004387215-0004

(51) **LOC (12) Cl.** **07-06**
(52) **U.S. Cl.**
USPC **D8/43**
(58) **Field of Classification Search**
USPC D8/18, 33-43
CPC B67B 7/00; B67B 7/0441; B67B 7/12;
B67B 7/14; B67B 7/16; B67B 7/18;
B67B 7/24; B67B 7/30; B67B 7/34;
B67B 7/40; B67B 7/406; B67B 7/44
See application file for complete search history.

(56) **References Cited**
U.S. PATENT DOCUMENTS
522,672 A * 7/1894 Puddefoot B67B 7/44
81/3.35
D167,920 S * 10/1952 Zuras 7/139
3,451,076 A * 6/1969 Deaver B67B 7/0423
7/118
D252,787 S * 9/1979 Jefferson D7/696
D374,801 S * 10/1996 Puig D8/42

D416,773 S * 11/1999 Cellini D8/34
5,992,269 A * 11/1999 Puig B67B 7/0429
81/3.35
6,101,900 A * 8/2000 Traspuesto B67B 7/0429
81/3.09
6,116,116 A * 9/2000 Brucart Puig B67B 7/0429
81/3.09
6,176,154 B1 * 1/2001 Brucart Puig B67B 7/0429
81/3.09
6,327,936 B1 * 12/2001 Eguren B67B 7/0429
81/3.09
D455,623 S * 4/2002 Farfalli D8/42
6,367,353 B2 * 4/2002 Brucart Puig B67B 7/0429
81/3.36
6,732,611 B2 * 5/2004 Miguel B67B 7/0429
81/3.29
D490,672 S * 6/2004 Simons D8/42
D496,571 S * 9/2004 Kay D8/34
7,272,992 B2 * 9/2007 Farfalli B67B 7/0429
81/3.09
D576,003 S * 9/2008 Patrizio B67B 7/0429
D8/40

(Continued)

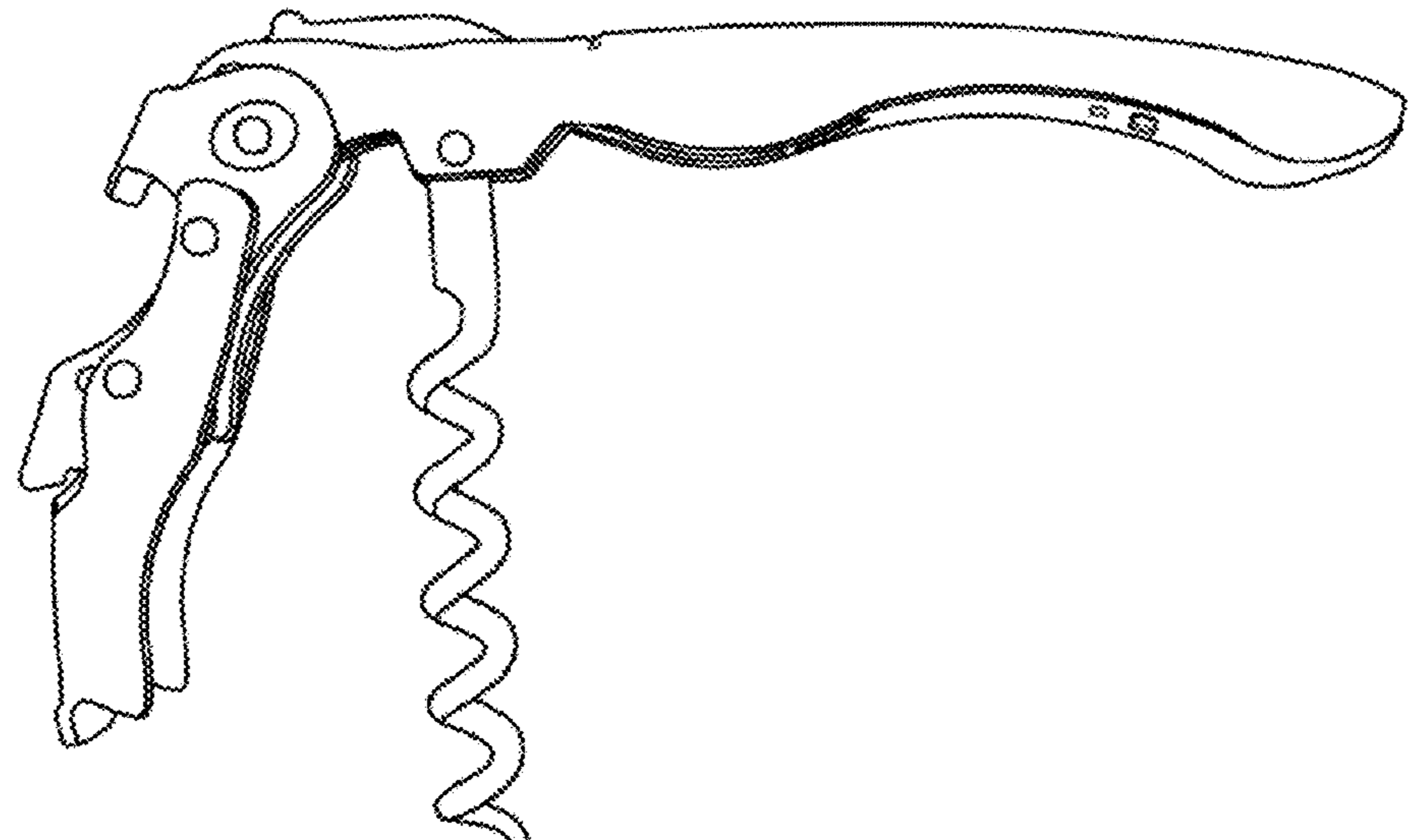
Primary Examiner — Elizabeth A. Albert
(74) *Attorney, Agent, or Firm* — Egbert Law Offices, PLLC

(57) **CLAIM**
The ornamental design for a corkscrew, as shown and described.

DESCRIPTION

FIG. 1 is a side view of a corkscrew showing our new design.
FIG. 2 is a bottom view thereof;
FIG. 3 is a top view thereof;
FIG. 4 is a front view thereof;
FIG. 5 is an enlarged perspective view of part of the corkscrew shown without the other part for convenience;
FIG. 6 is a first perspective view thereof; and,
FIG. 7 is a second perspective view thereof.

1 Claim, 3 Drawing Sheets



(56)

References Cited

U.S. PATENT DOCUMENTS

D640,519 S * 6/2011 Danias-Borkin D8/33
D691,008 S * 10/2013 Watson D8/34
8,726,764 B2 * 5/2014 Burato B67B 7/0423
81/3.47
D706,598 S * 6/2014 Agarwal D8/42
8,881,623 B2 * 11/2014 Bernede B67B 7/0429
81/3.09
D728,335 S * 5/2015 Watson D8/42
2011/0185859 A1 * 8/2011 Brucart-Puig B67B 7/0429
81/3.45
2011/0252924 A1 * 10/2011 Federighi B67B 7/0423
81/3.45
2018/0346304 A1 * 12/2018 Gourand B67B 7/0429

* cited by examiner

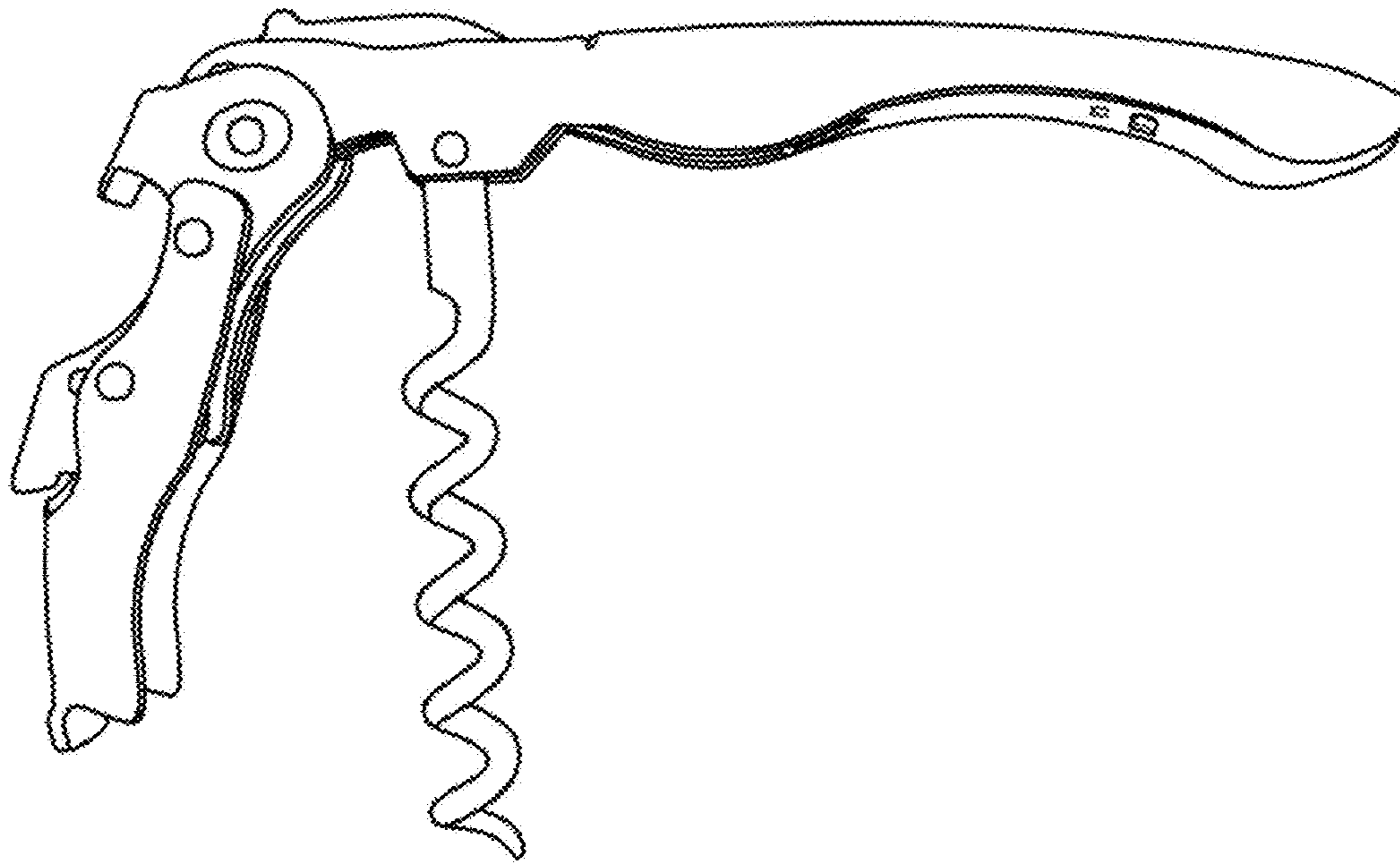


FIGURE 1

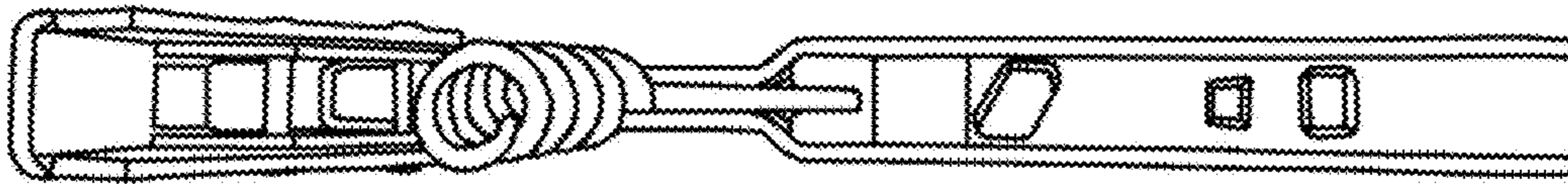


FIGURE 2

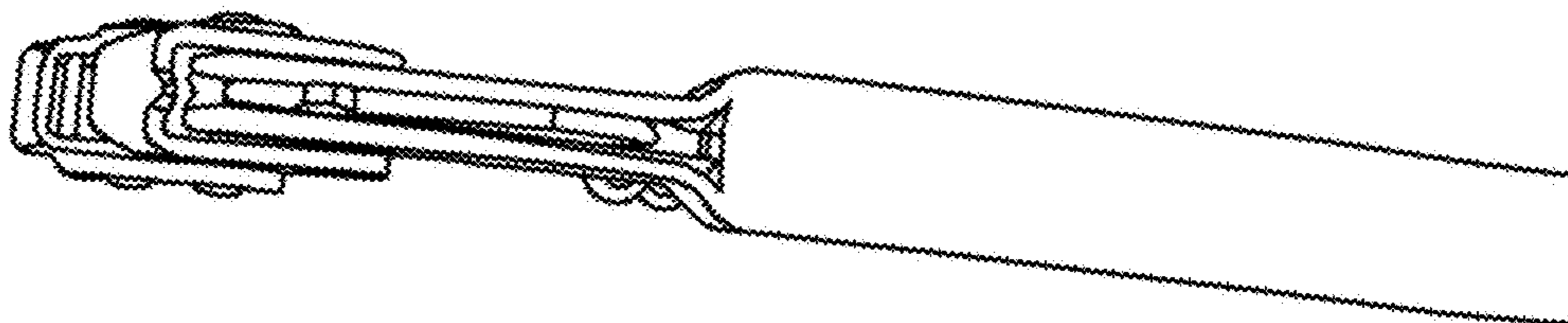


FIGURE 3

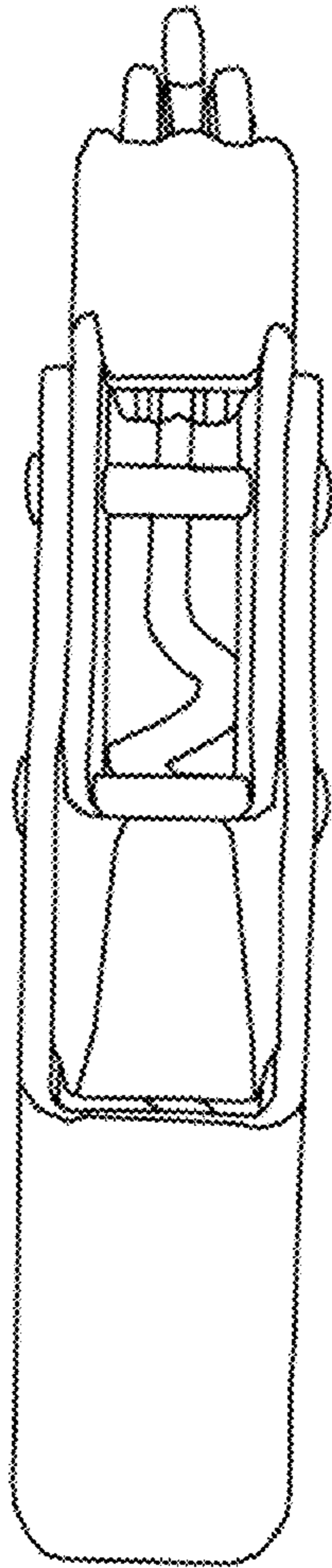


FIGURE 4

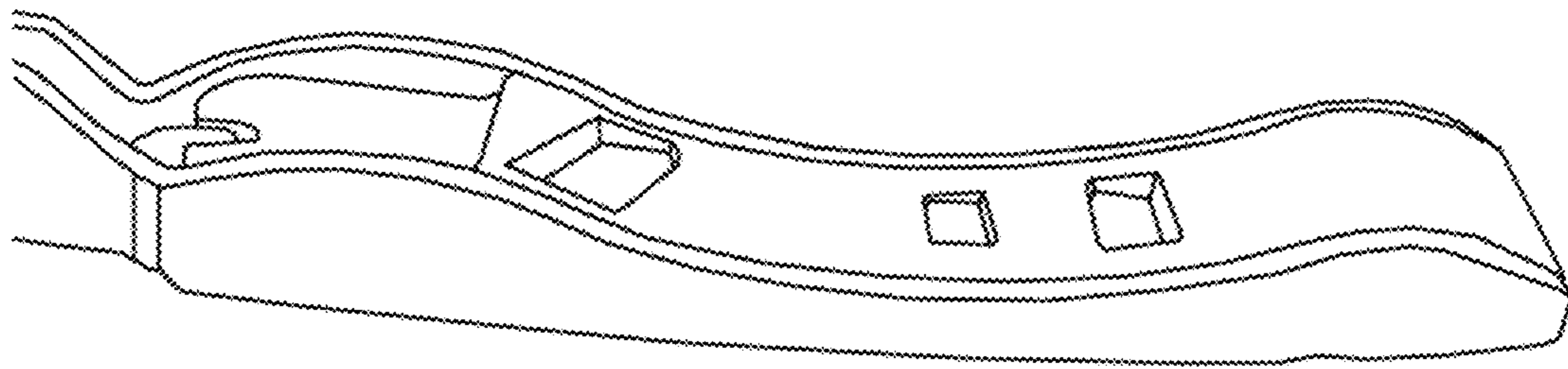


FIGURE 5

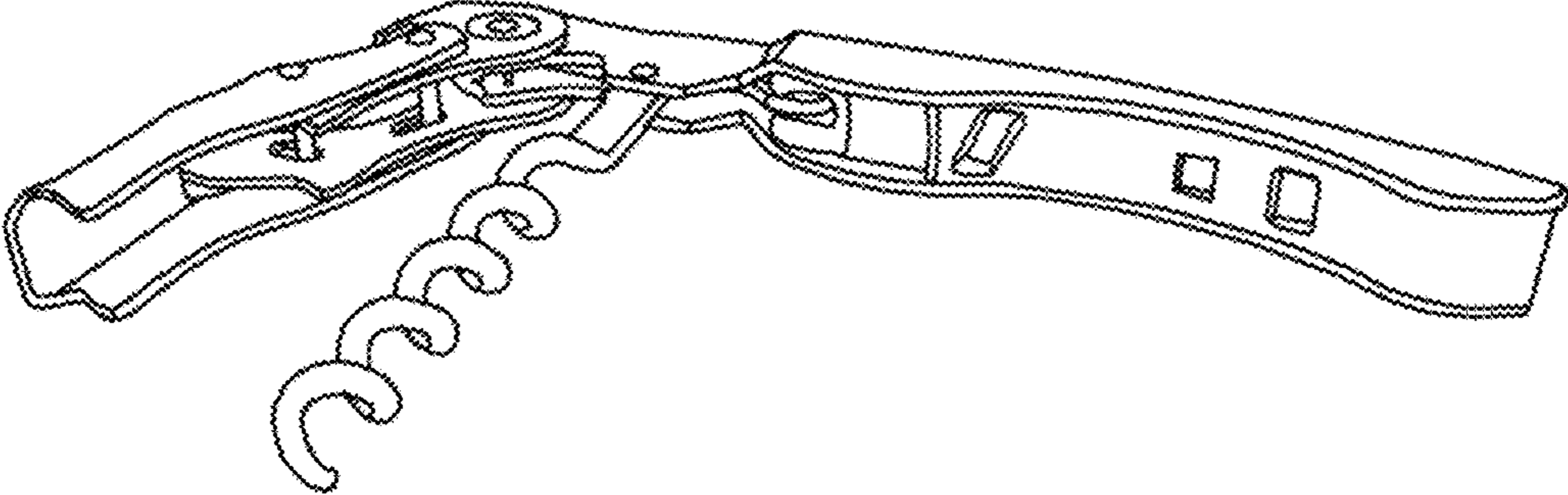


FIGURE 6

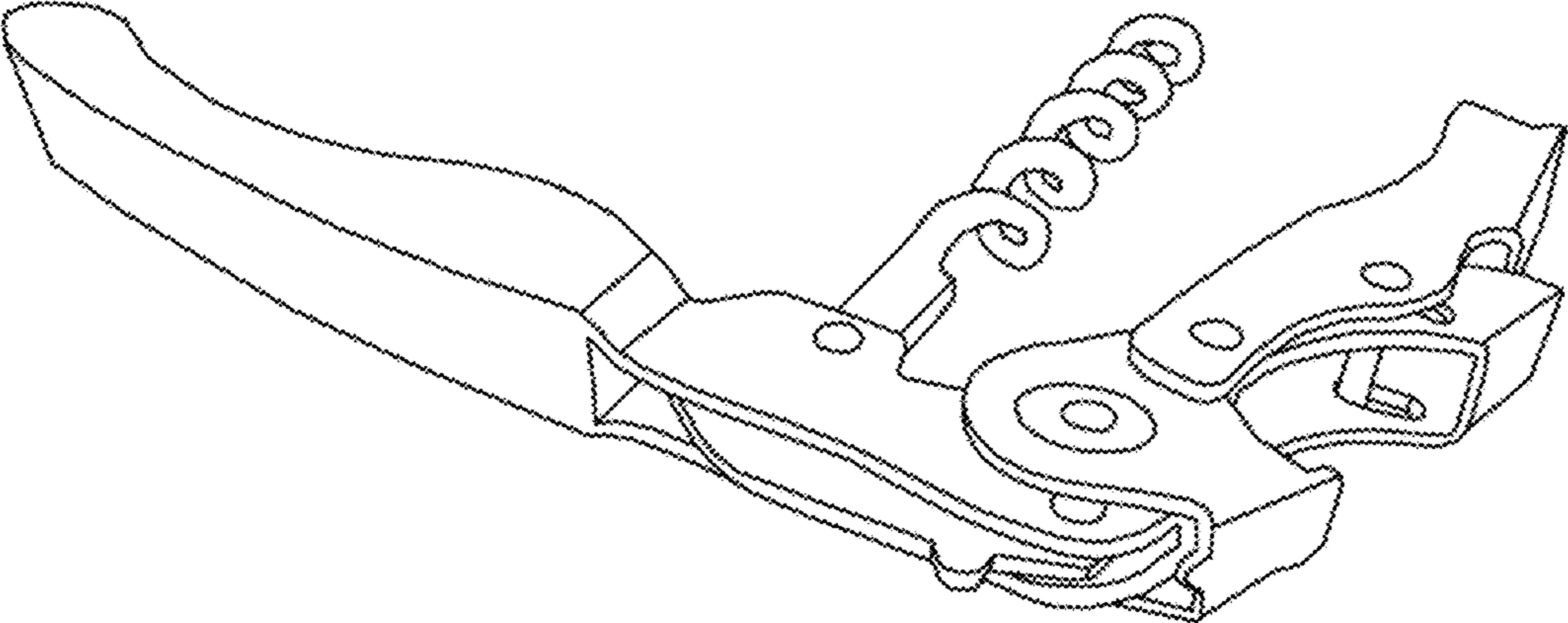


FIGURE 7