



US00D870525S

(12) **United States Design Patent**
Zhang

(10) **Patent No.:** **US D870,525 S**

(45) **Date of Patent:** **** Dec. 24, 2019**

(54) **GLUE GUN**

7,775,403 B2 * 8/2010 Monfeli B05C 17/00526
219/242

(71) Applicant: **Guohong Zhang**, Guangzhou (CN)

D671,385 S * 11/2012 Yung-Kuan D8/30

D809,884 S * 2/2018 Huang D8/30

(72) Inventor: **Guohong Zhang**, Guangzhou (CN)

D821,170 S * 6/2018 Huang D8/30

2007/0045345 A1 * 3/2007 Monfeli B05C 17/00526
222/173

(**) Term: **15 Years**

* cited by examiner

(21) Appl. No.: **29/655,794**

Primary Examiner — Philip S Hyder

(22) Filed: **Jul. 6, 2018**

(74) *Attorney, Agent, or Firm* — Liang Legal Group,
PLLC

(30) **Foreign Application Priority Data**

Jan. 16, 2018 (CN) 2018 3 0019445

(51) **LOC (12) Cl.** **08-05**

(57) **CLAIM**

(52) **U.S. Cl.**

USPC **D8/30**

The ornamental design for the glue gun, as shown and described.

(58) **Field of Classification Search**

USPC D8/29.1, 29.2, 30

CPC B05C 17/0053; B05C 17/00546; B05C
17/00526; B05C 17/01

See application file for complete search history.

DESCRIPTION

(56) **References Cited**

U.S. PATENT DOCUMENTS

4,776,490 A * 10/1988 Wingert B05C 17/0053
222/146.5

D303,612 S * 9/1989 Knispel D8/14.1

D404,622 S * 1/1999 Singleton D8/29.1

6,105,824 A * 8/2000 Singleton B05C 17/0053
219/221

6,170,709 B1 * 1/2001 Huang B05C 17/00523
222/146.5

D510,243 S * 10/2005 Lee D8/30

D514,406 S * 2/2006 Lee D8/30

D535,167 S * 1/2007 Monfeli D8/14.1

FIG. 1 is a perspective view of the glue gun showing the design;

FIG. 2 is a top plan view thereof;

FIG. 3 is a bottom plan view thereof;

FIG. 4 is a front elevational view thereof;

FIG. 5 is a rear elevational view thereof;

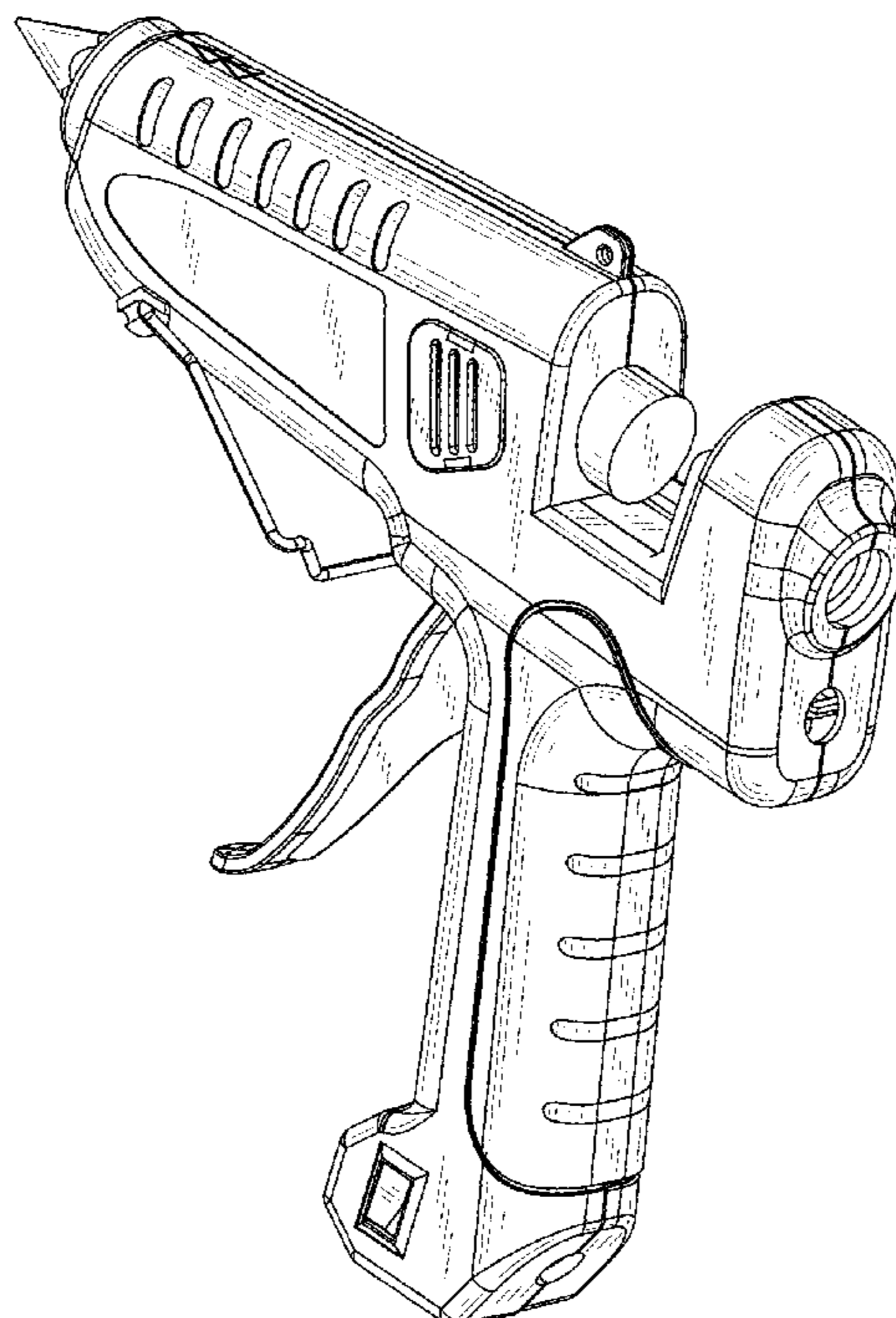
FIG. 6 is a left side view thereof;

FIG. 7 is a right side view thereof;

FIG. 8 is a perspective view of the glue gun in a self-supporting position where a supporting rack is opened; and,

FIG. 9 is a front elevational view of the glue gun where a handle cover is opened.

1 Claim, 7 Drawing Sheets



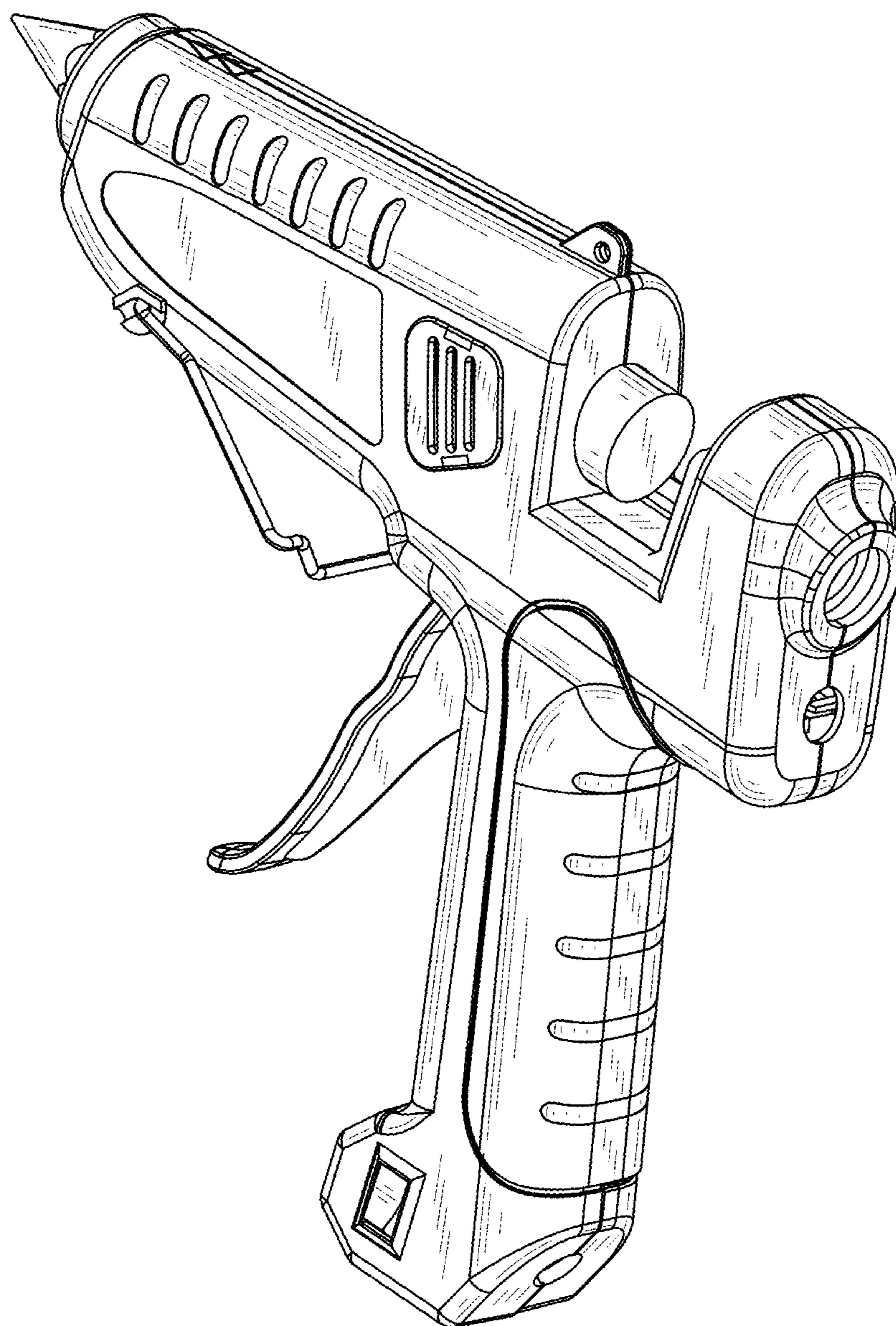


FIG. 1

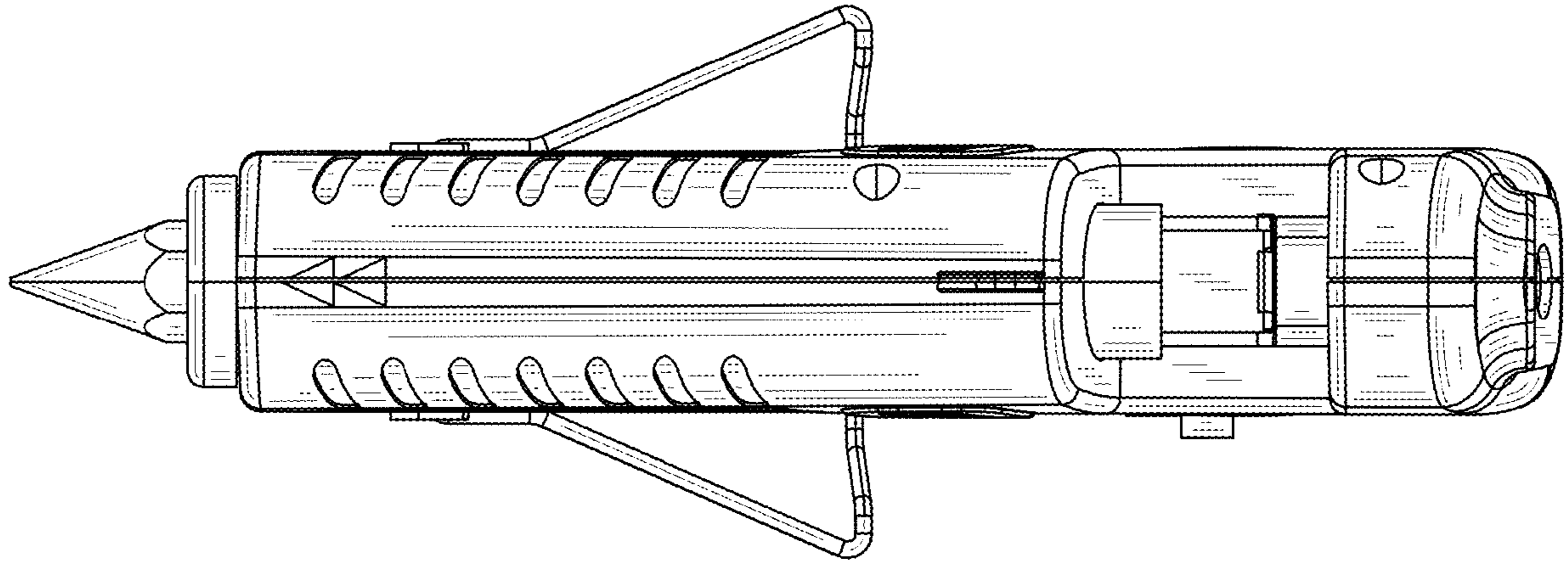


FIG. 2

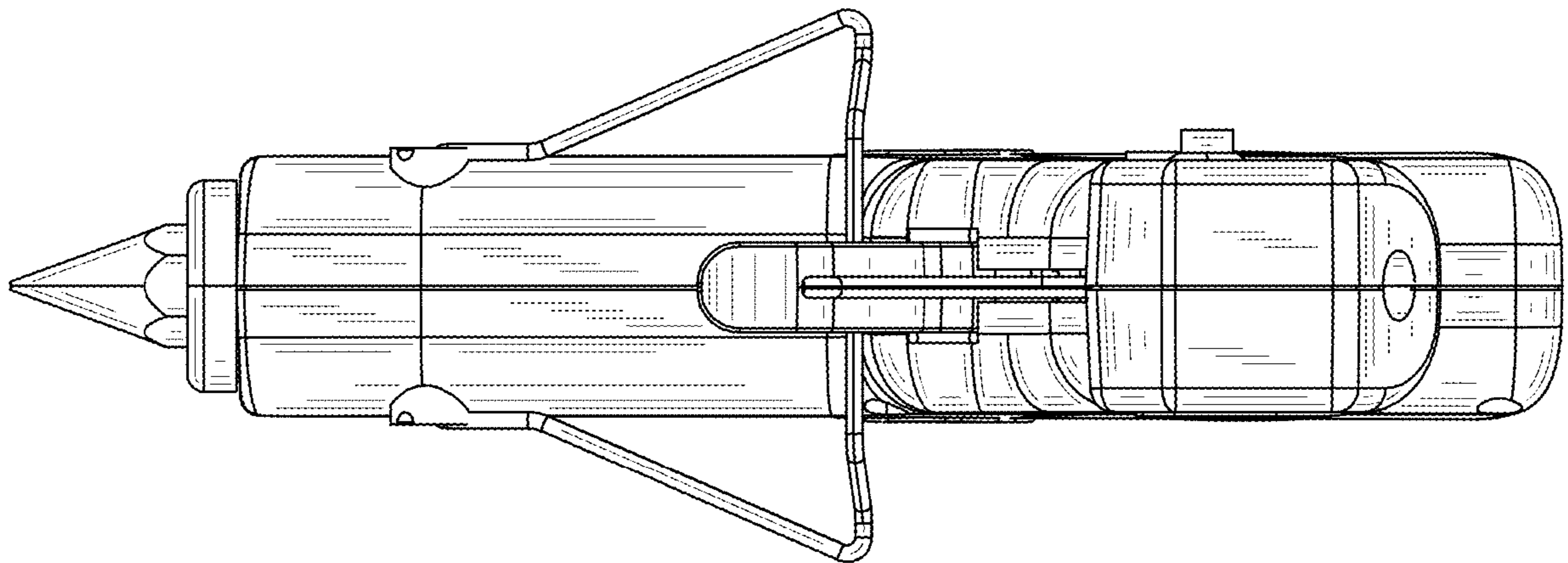


FIG. 3

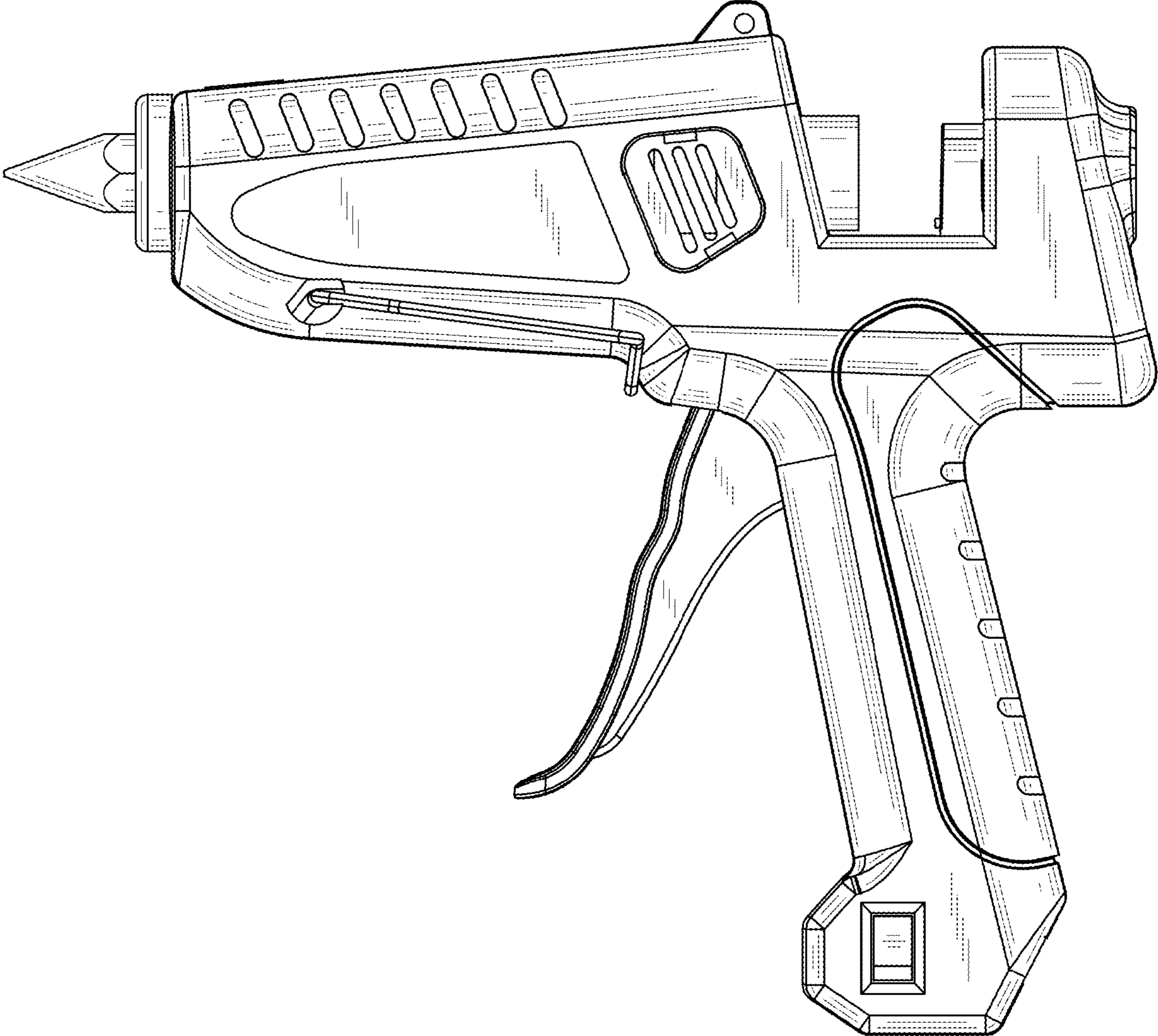


FIG. 4

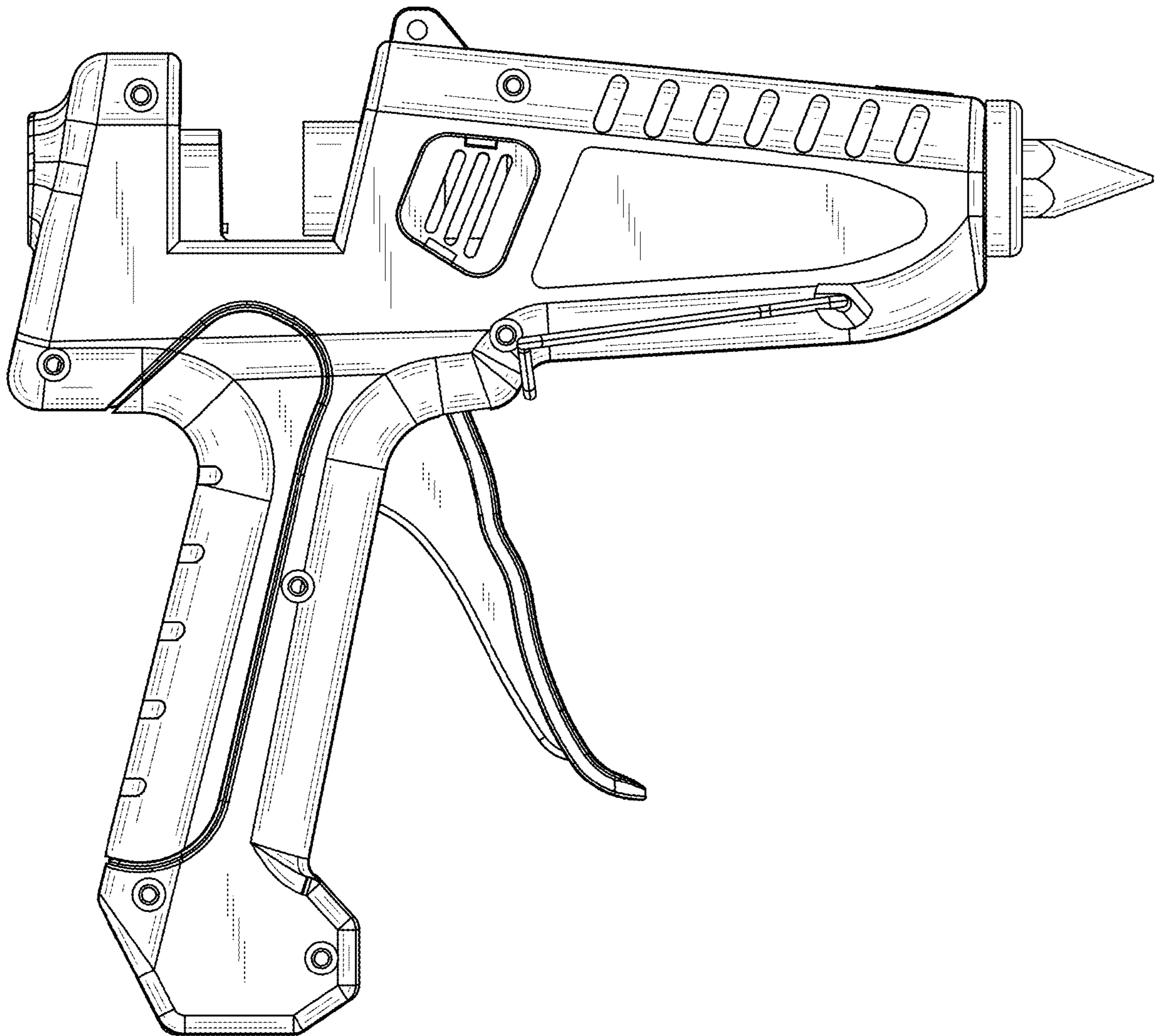


FIG. 5

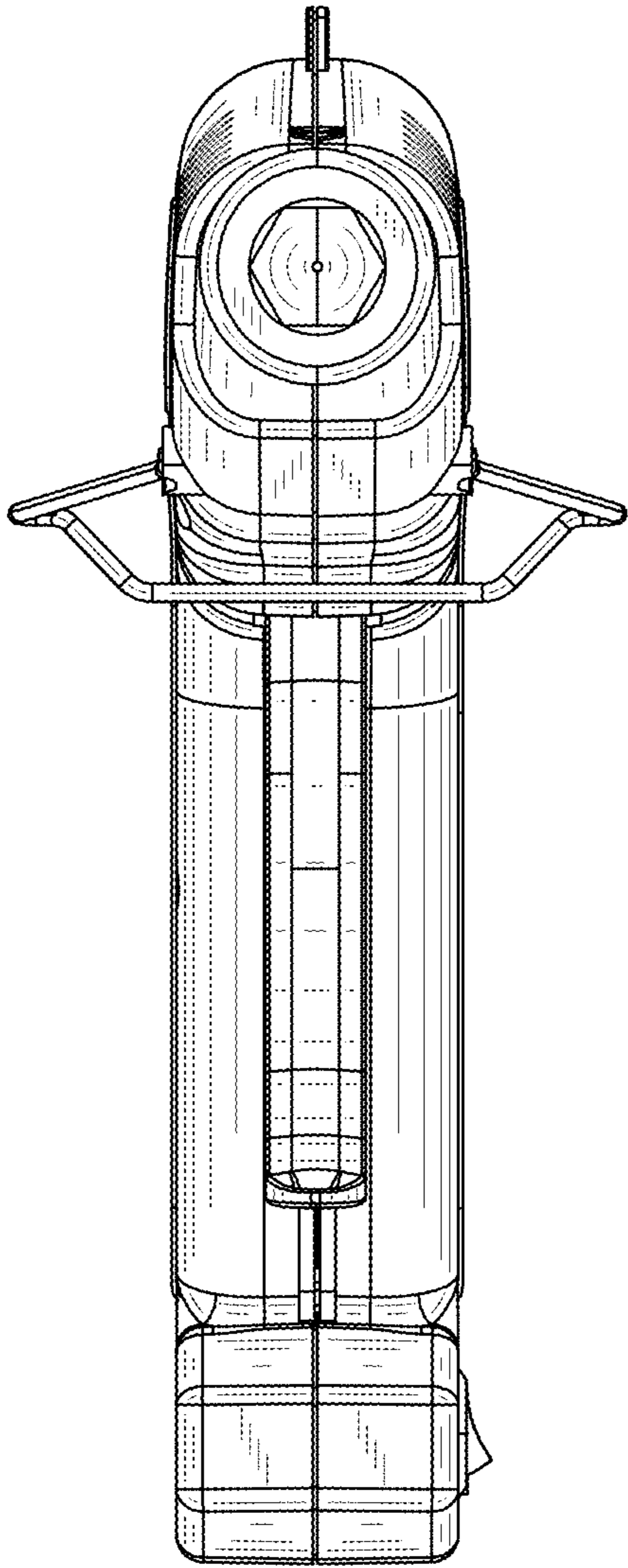


FIG. 6

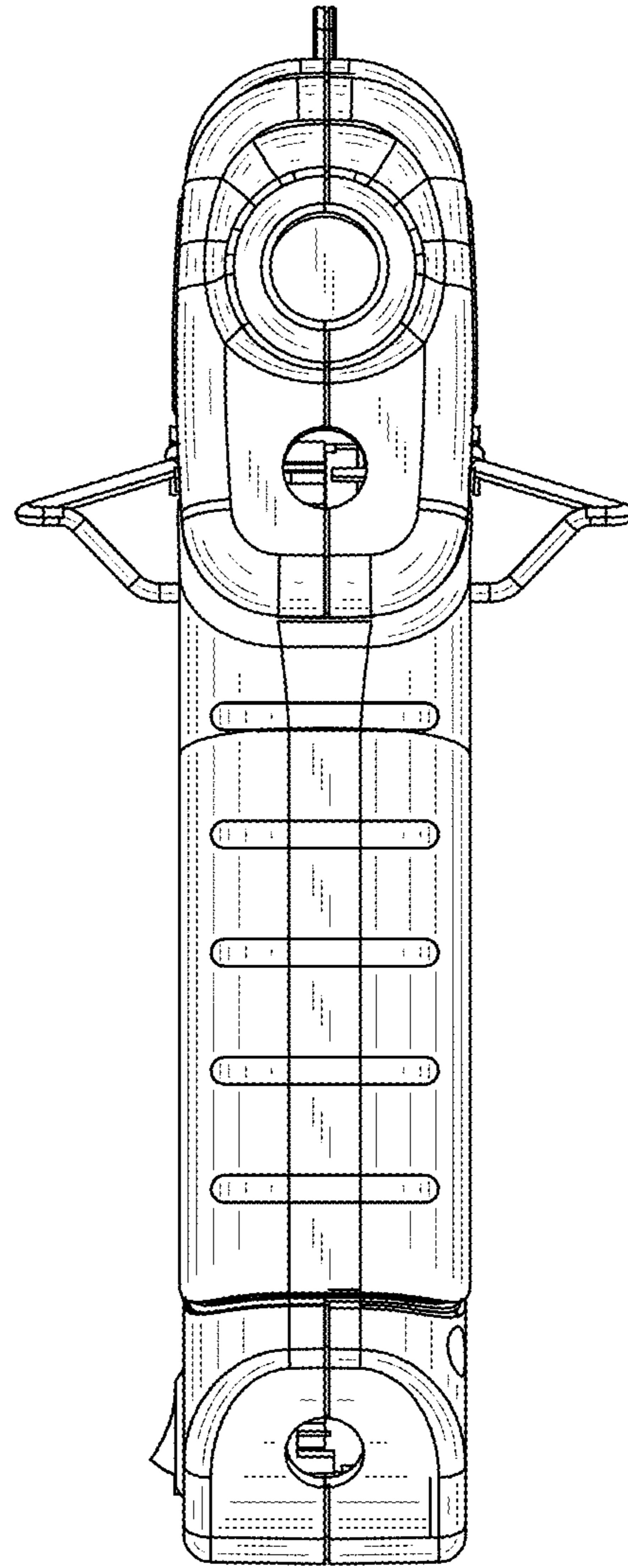


FIG. 7

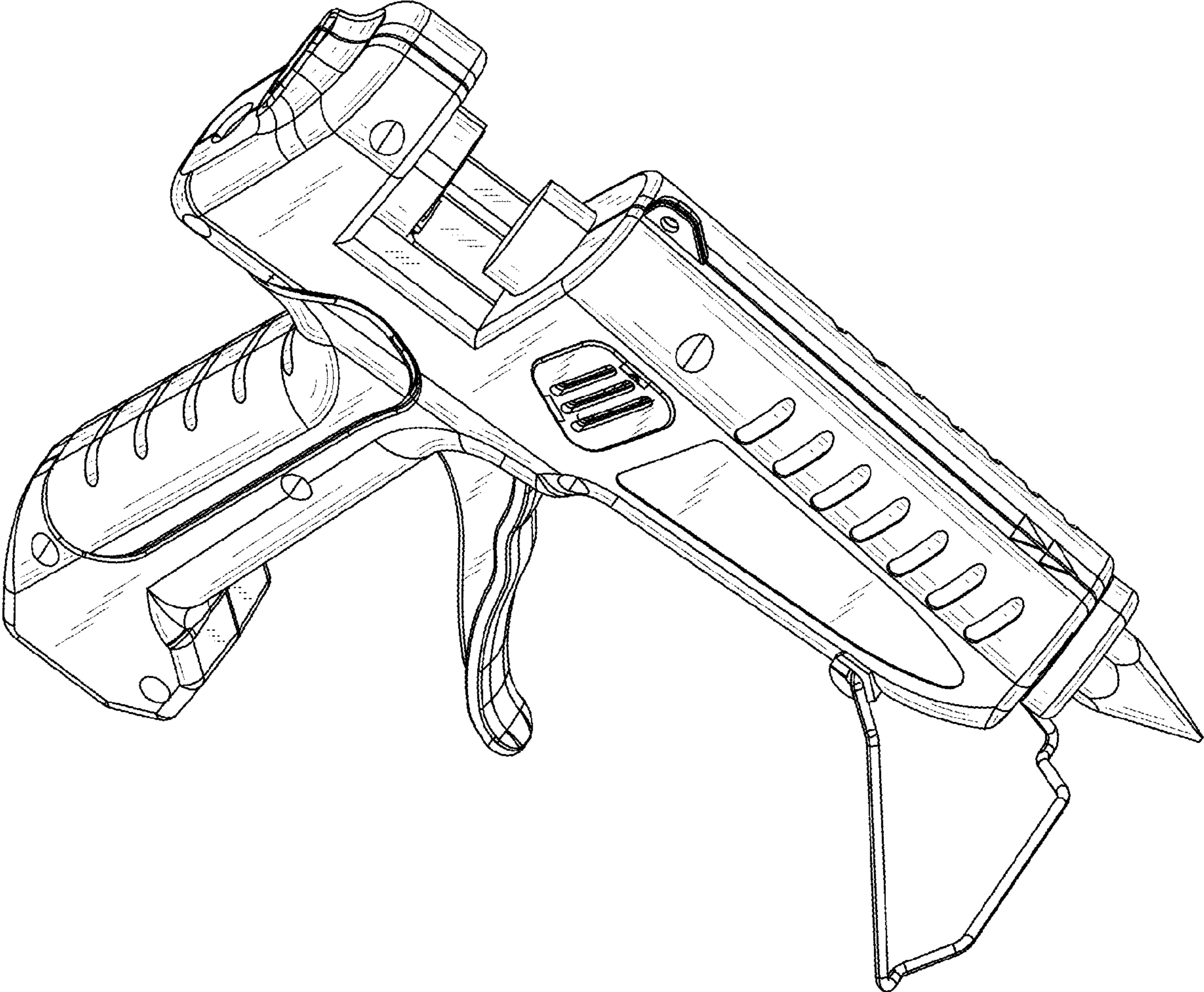


FIG. 8

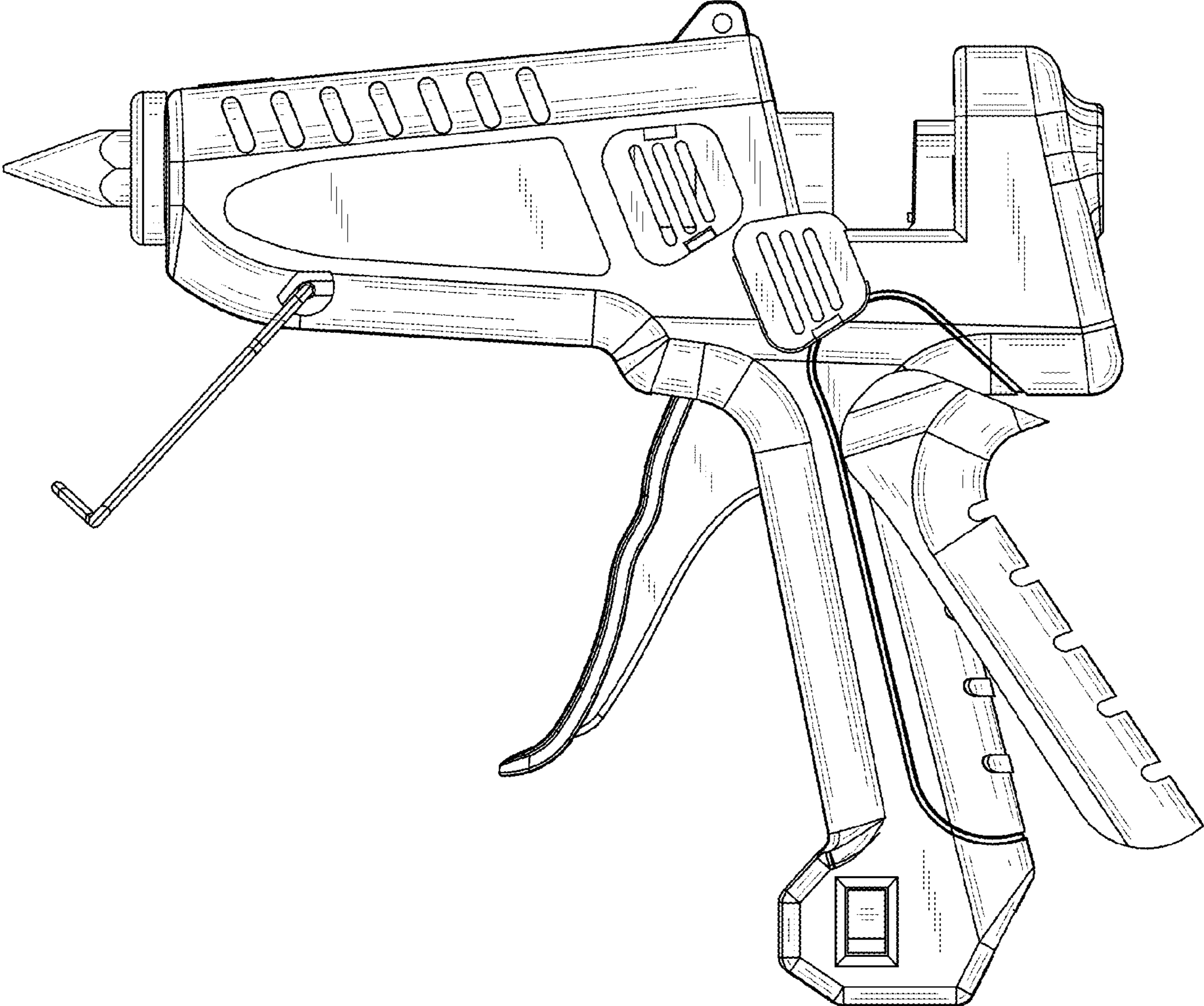


FIG. 9