



US00D870524S

(12) **United States Design Patent**
Burch, V et al.

(10) **Patent No.:** **US D870,524 S**

(45) **Date of Patent:** **** Dec. 24, 2019**

(54) **MOUNTING PLATE**

(71) Applicant: **FEDEX CORPORATE SERVICES, INC.**, Collierville, TN (US)

(72) Inventors: **Reuben F. Burch, V**, Mississippi State, MS (US); **Howard McKinney**, Bartlett, TN (US); **Matthew Doude**, Starkville, MS (US); **Andrew LeClair**, Starkville, MS (US); **William Meadows**, Jackson, MS (US); **Matthew Bilson**, Starkville, MS (US)

(73) Assignee: **FEDEX CORPORATE SERVICES, INC.**, Collierville, TN (US)

(**) Term: **15 Years**

(21) Appl. No.: **29/580,435**

(22) Filed: **Oct. 10, 2016**

(51) **LOC (12) Cl.** **08-05**

(52) **U.S. Cl.**
USPC **D8/16**

(58) **Field of Classification Search**
USPC D8/16, 18, 19, 33, 45, 47, 90, 93, 366, D8/371
CPC A01H 1/025; A01H 1/02; A01H 1/00
See application file for complete search history.

(56) **References Cited**

U.S. PATENT DOCUMENTS

D306,964 S *	4/1990	Zupancic	D8/354
D422,886 S *	4/2000	Shea	D8/354
D432,000 S *	10/2000	Hays	D8/354
D432,394 S *	10/2000	Hays	D8/354
D432,901 S *	10/2000	McDonald	D8/354
D436,163 S *	1/2001	Peterson	D23/393

D563,203 S *	3/2008	Benning	D8/354
D617,442 S *	6/2010	Grages	D23/393
7,823,350 B2 *	11/2010	Valle	E04C 2/28 52/356
D757,304 S *	5/2016	Berger	D25/156
D789,184 S *	6/2017	Stanley	D8/363
D791,982 S *	7/2017	Coric	D25/199
2007/0144106 A1 *	6/2007	Kirk	E06B 1/6069 52/712

* cited by examiner

Primary Examiner — Eliza Z Bennett-Hattan

(74) *Attorney, Agent, or Firm* — Withers & Keys, LLC

(57) **CLAIM**

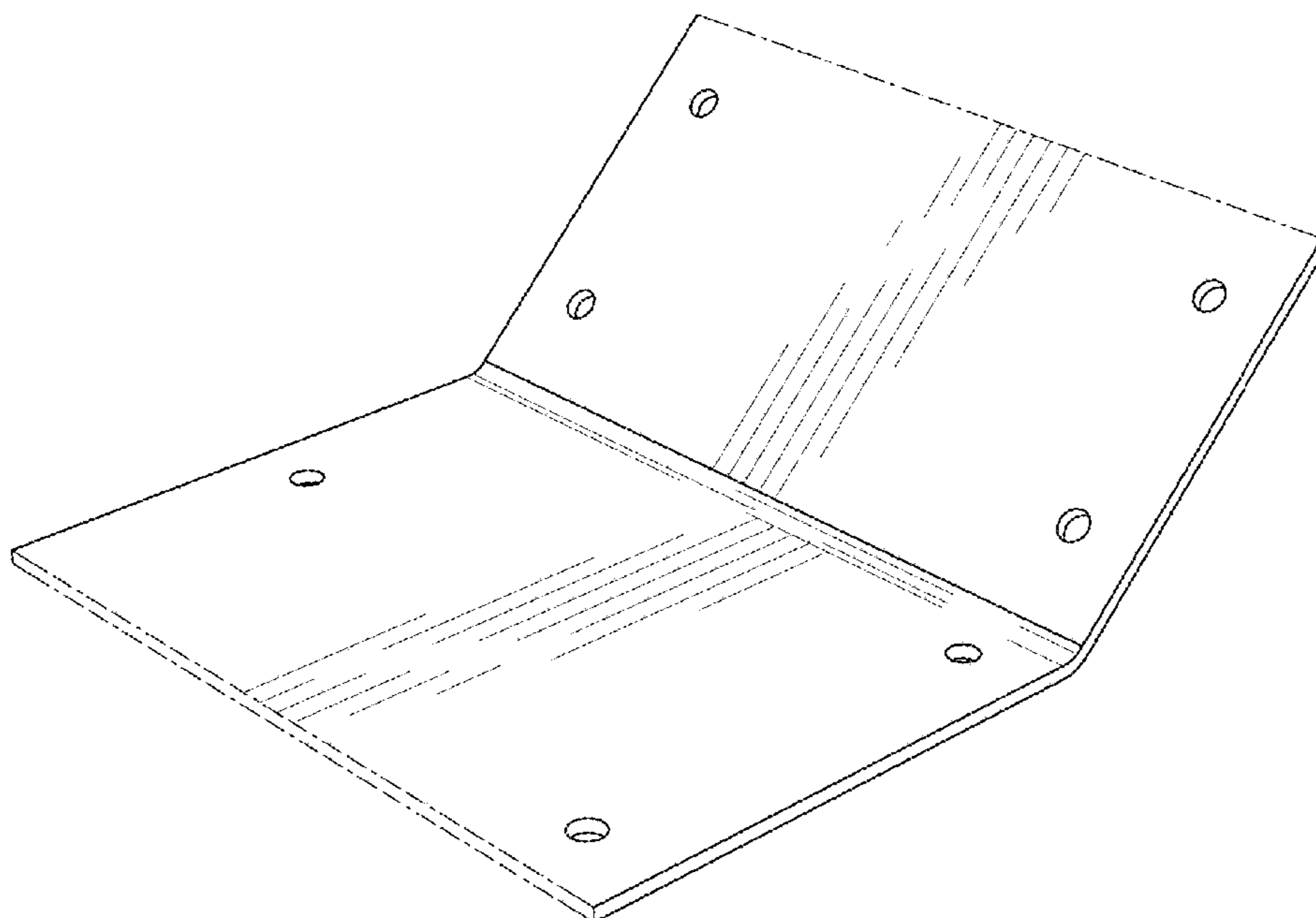
The ornamental design for mounting plate, as shown and described.

DESCRIPTION

FIG. 1 is a perspective view of a mounting plate, such as a transmission control module (TCM) mounting plate, showing our new design;
FIG. 2 is a left-side view of the mounting plate shown in FIG. 1;
FIG. 3 is a right-side view of the mounting plate shown in FIG. 1;
FIG. 4 is a rear view of the mounting plate shown in FIG. 1;
FIG. 5 is frontal view of the mounting plate shown in FIG. 1;
FIG. 6 is a bottom view thereof; and,
FIG. 7 is a top view thereof.

The evenly broken lines in the figure drawings represent unclaimed environment only and form no part of the claimed design. The dash-dot broken lines represent the boundaries and form no part of the claimed design.

1 Claim, 7 Drawing Sheets



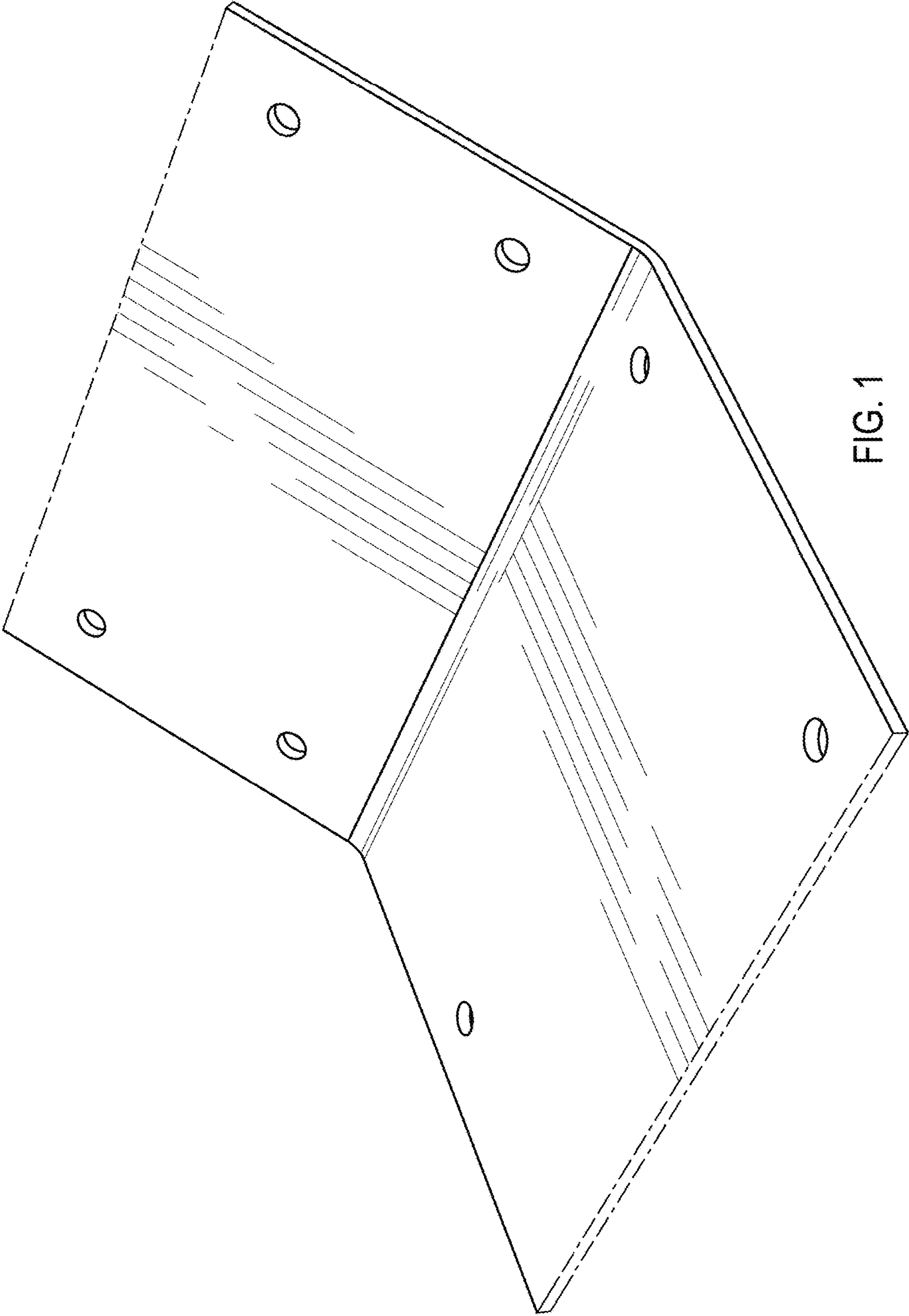


FIG. 1

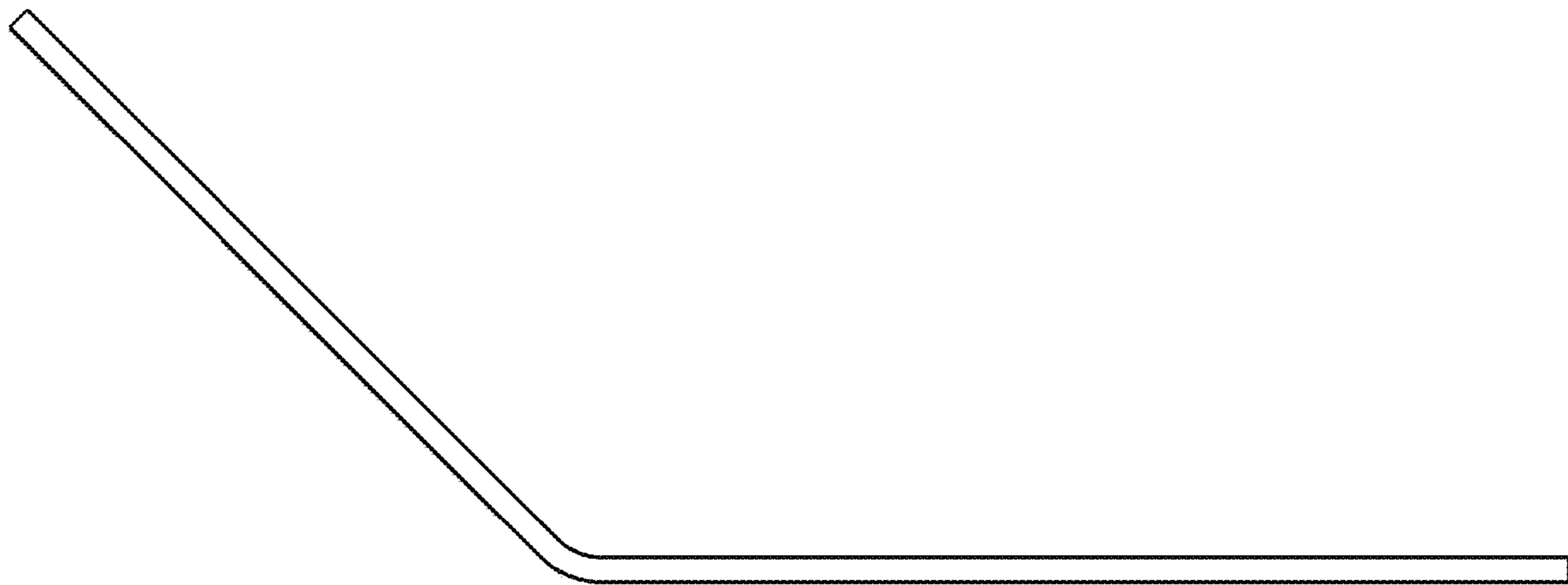


FIG. 2

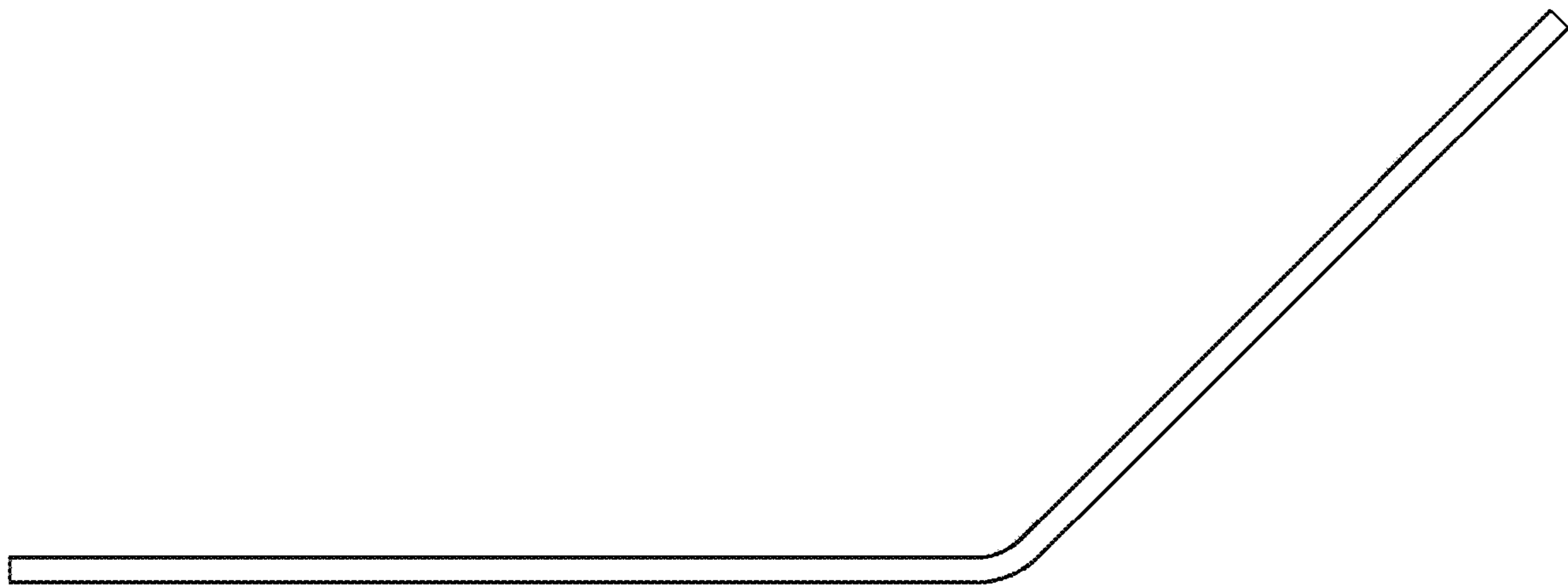


FIG. 3

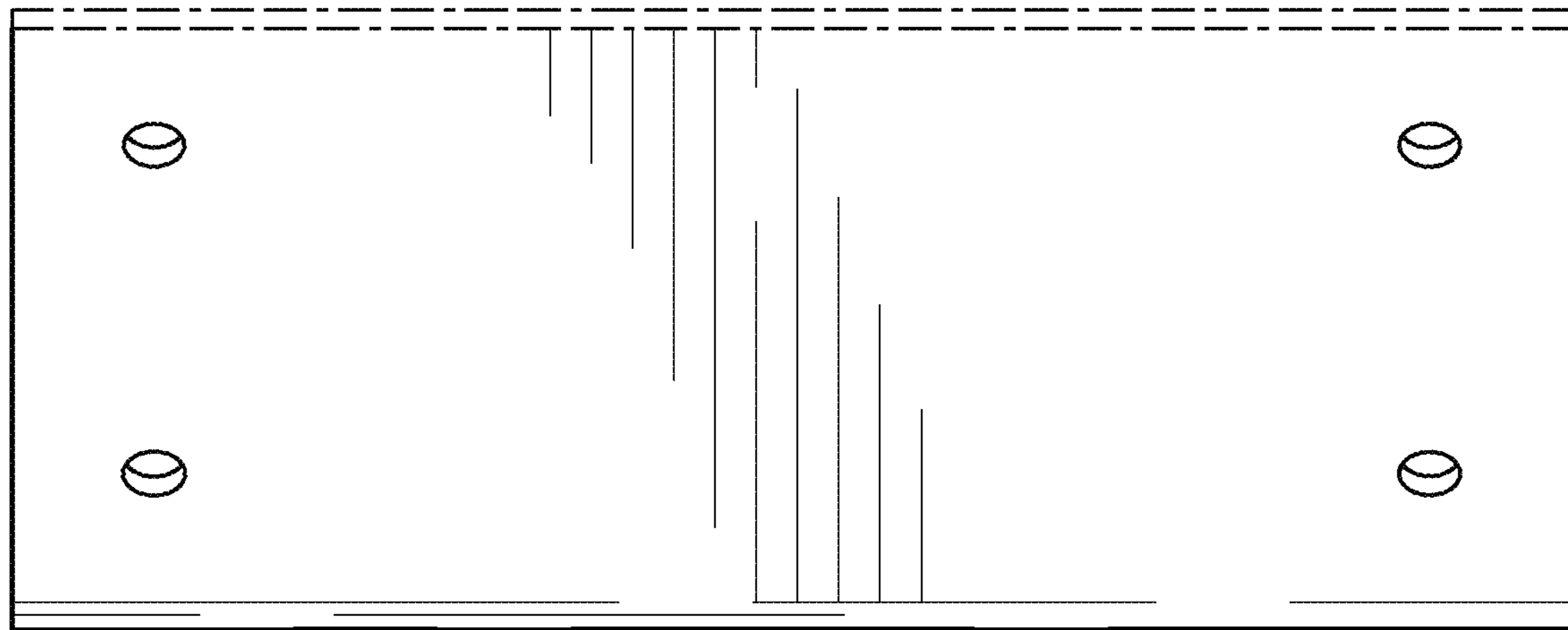


FIG. 4

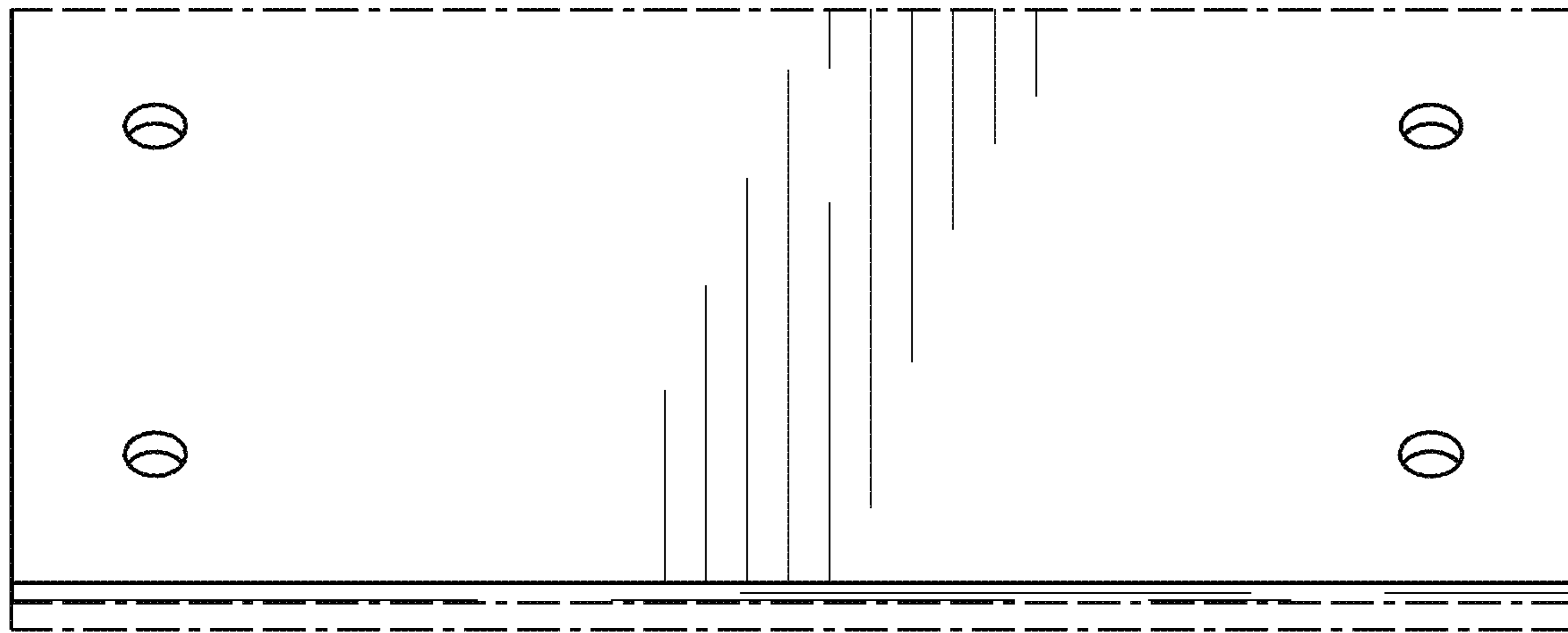


FIG. 5

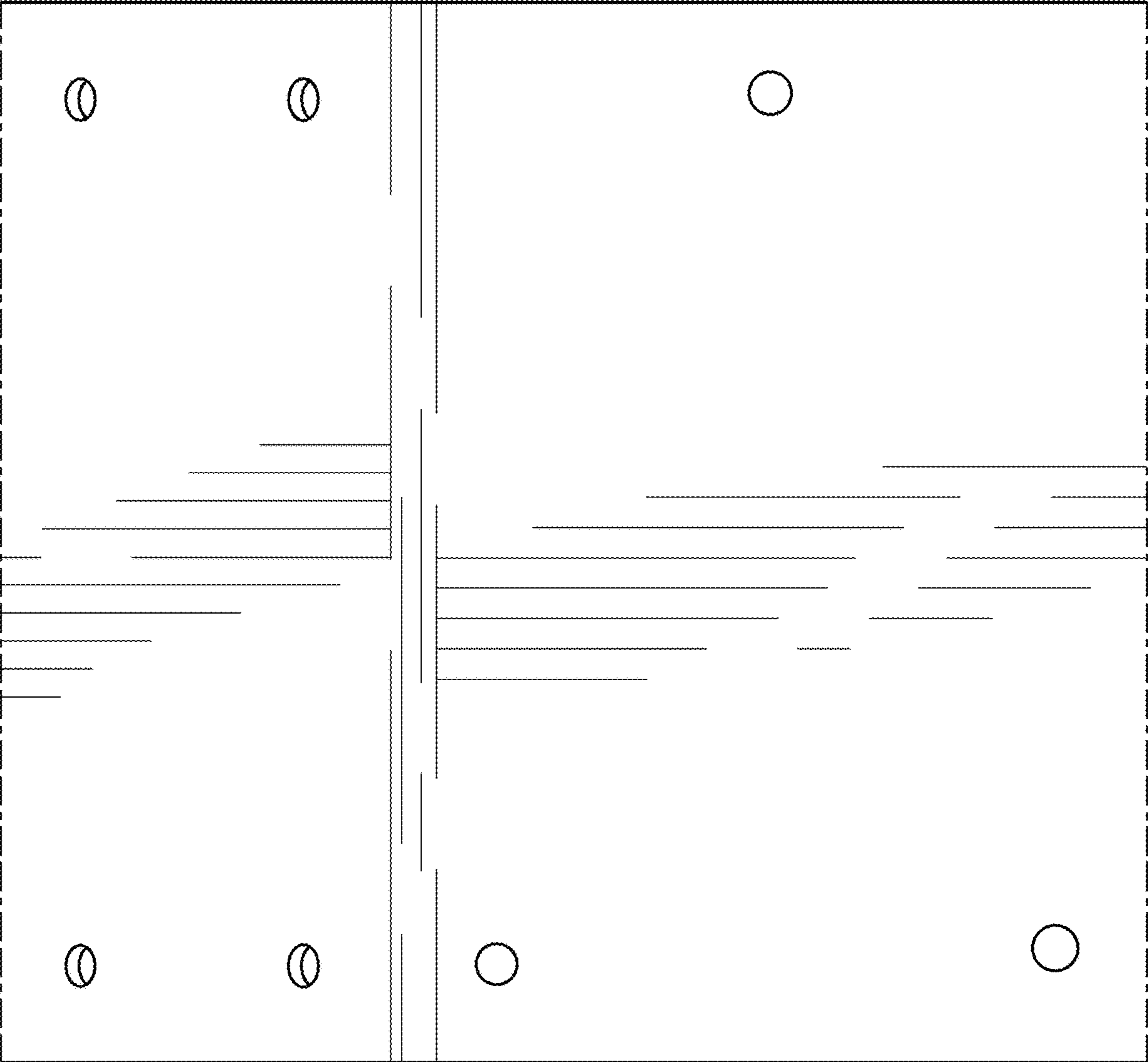


FIG. 6

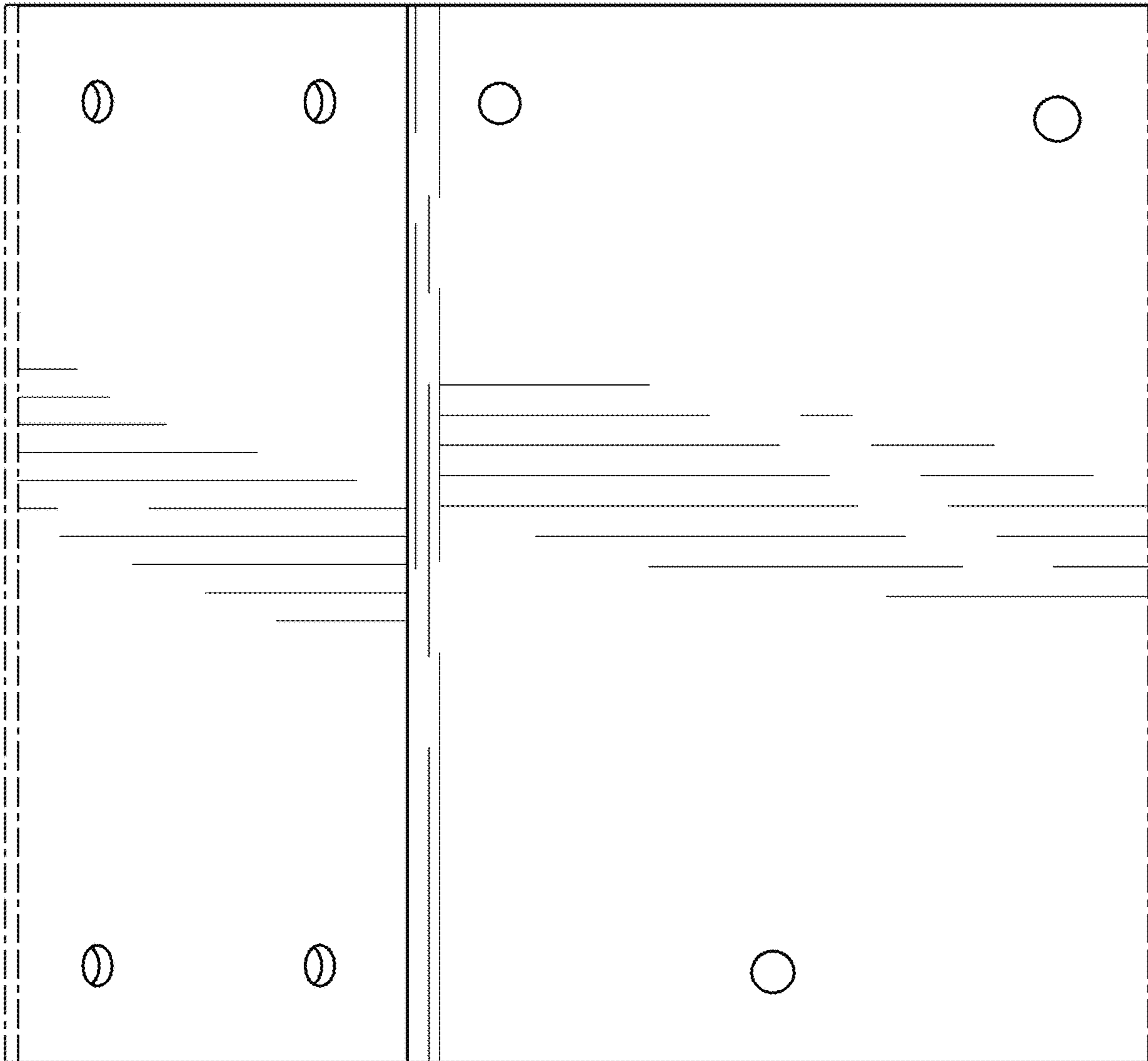


FIG. 7