



US00D870522S

(12) **United States Design Patent**
Gooden

(10) **Patent No.:** **US D870,522 S**

(45) **Date of Patent:** **** Dec. 24, 2019**

(54) **ROOT DIRECTOR**

(71) Applicant: **STRATA INNOVATIONS PTY LIMITED**, Singleton, NSW (AU)

(72) Inventor: **Benjamin Douglas Gooden**, Singleton (AU)

(73) Assignee: **STRATA INNOVATIONS PTY LTD**, Singleton, NSW (AU)

(**) Term: **15 Years**

(21) Appl. No.: **29/633,373**

(22) Filed: **Jan. 12, 2018**

(51) **LOC (12) Cl.** **08-01**

(52) **U.S. Cl.**
USPC **D8/1**

(58) **Field of Classification Search**
USPC D8/1, 382, 349; D23/212, 213, 262, 229
CPC A01G 31/02; A01G 31/04; A01G 13/0237;
A01G 29/00
See application file for complete search history.

(56) **References Cited**

U.S. PATENT DOCUMENTS

4,622,775 A * 11/1986 Glenn A01G 31/02
47/63
4,642,938 A * 2/1987 Georges A01G 13/0237
47/2

D671,807 S * 12/2012 Gooden D8/1
D683,201 S * 5/2013 Gooden D8/1
D684,023 S * 6/2013 Sikes D8/1
2014/0298718 A1* 10/2014 Gooden A01G 13/0237
47/32.7
2018/0332778 A1* 11/2018 Taylor A01G 13/0237

* cited by examiner

Primary Examiner — Sheryl Lane

(74) *Attorney, Agent, or Firm* — William H. Honaker;
Dickinson Wright PLLC

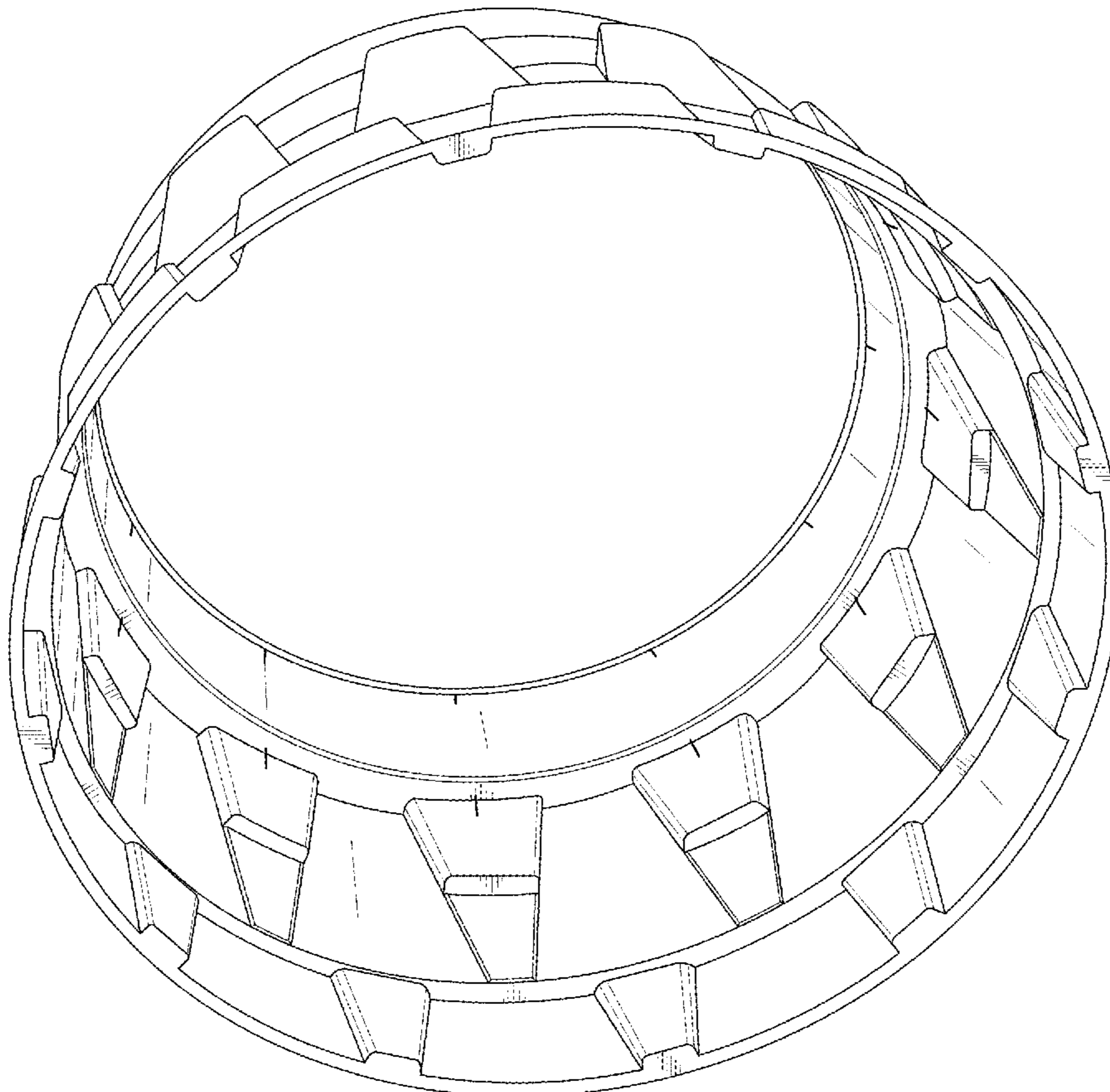
(57) **CLAIM**

The ornamental design for the root director, as shown and described.

DESCRIPTION

FIG. 1 is a perspective view thereof from below;
FIG. 2 is a perspective view thereof from above;
FIG. 3 is a top view thereof;
FIG. 4 is a bottom view thereof;
FIG. 5 is a cross-sectional side view along lines A-A of FIG. 2 thereof; and,
FIG. 6 is a left side view thereof and the right side view is a mirror image of the left side view.
The broken phantom lines depict unclaimed subject matter only and form no part of the claimed design.

1 Claim, 6 Drawing Sheets



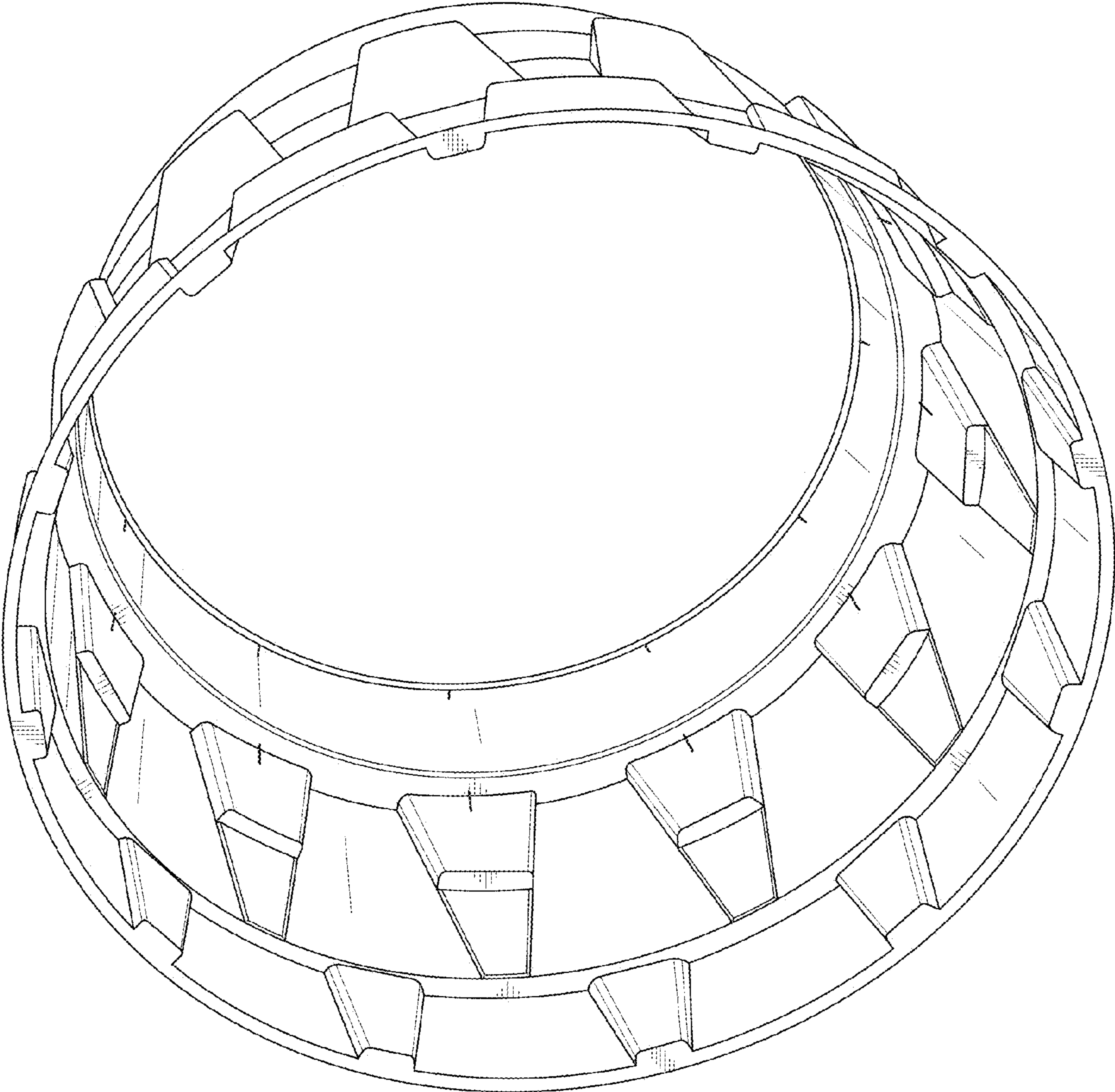


FIG. 1

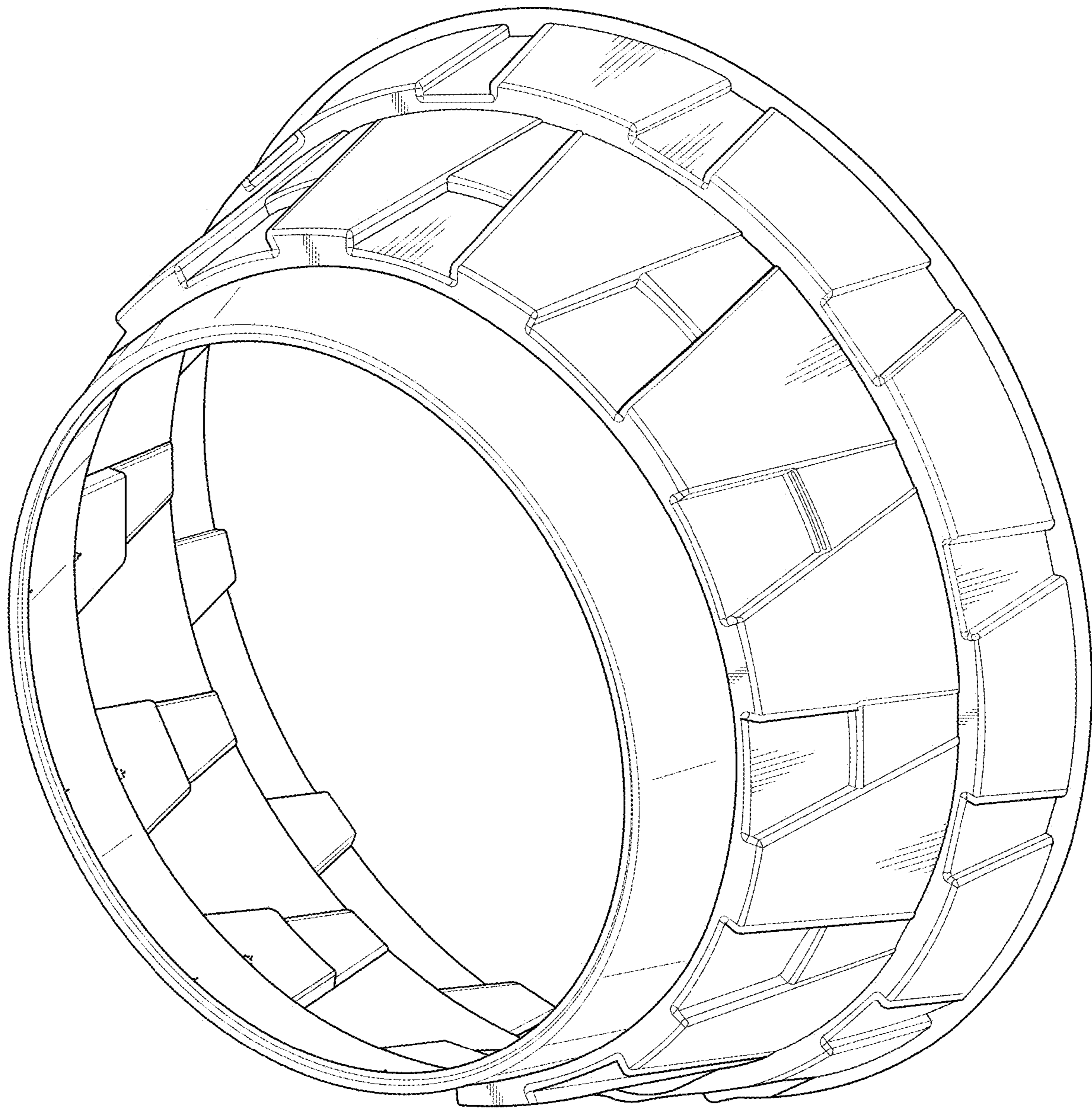


FIG. 2

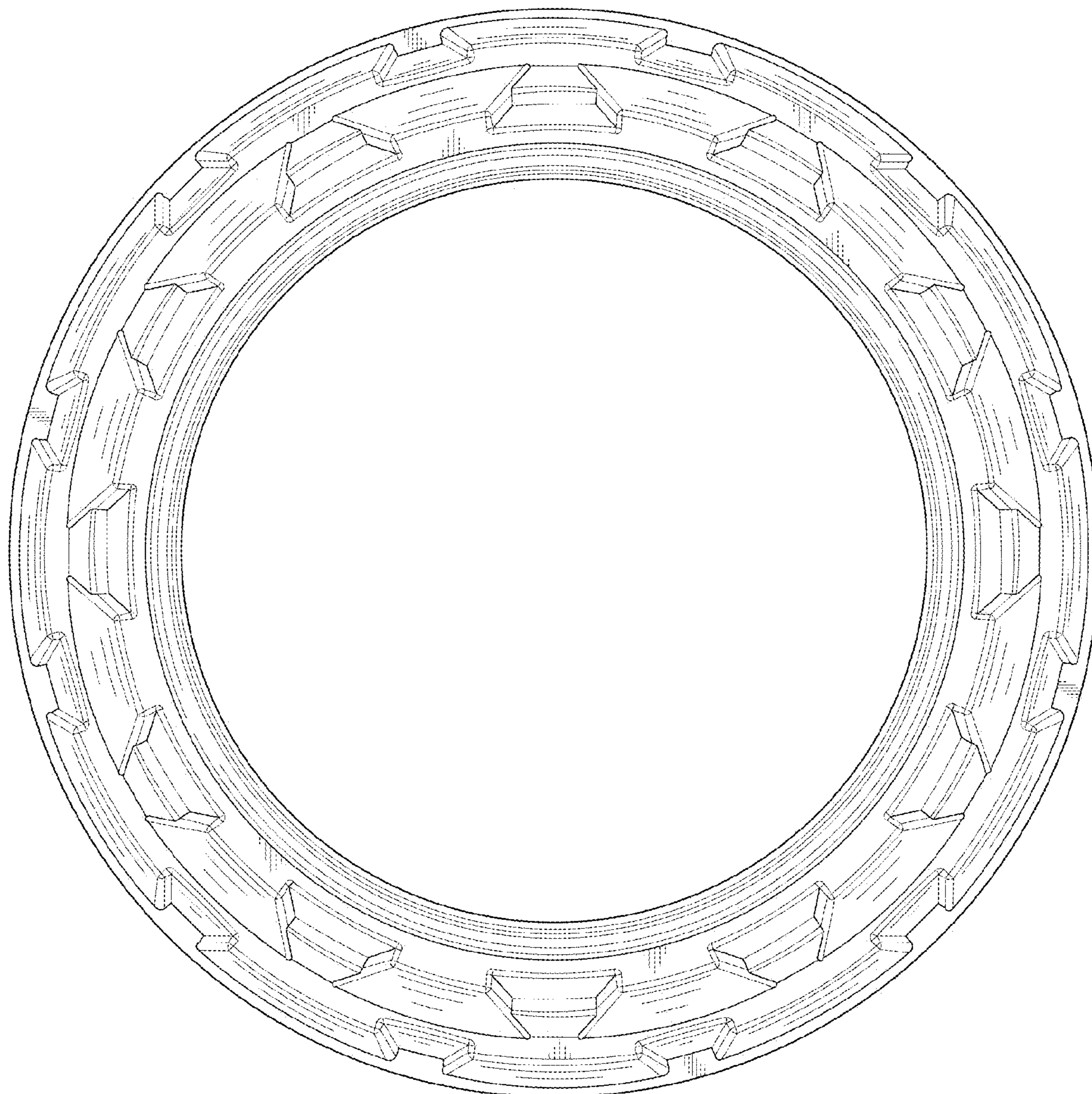


FIG. 3

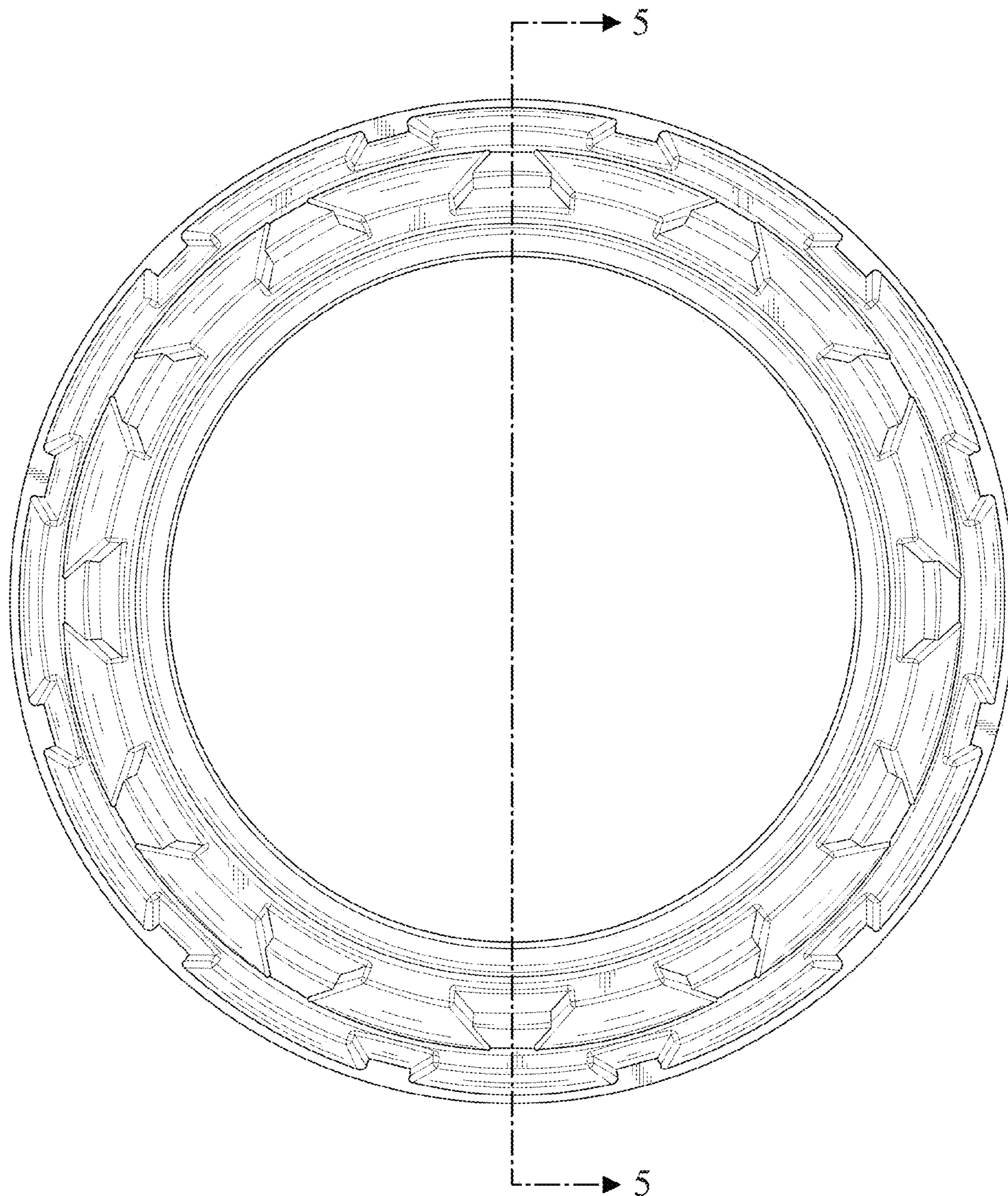


FIG. 4

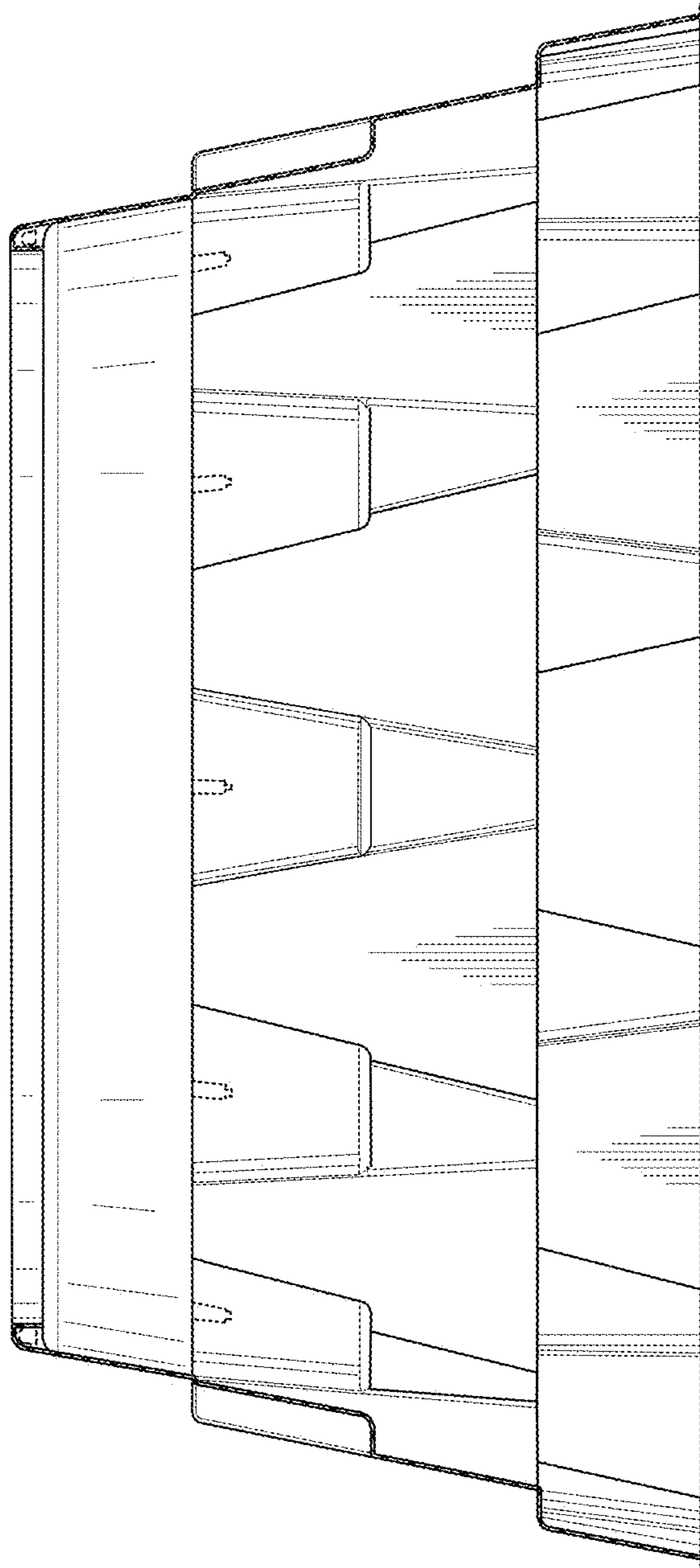


FIG. 5

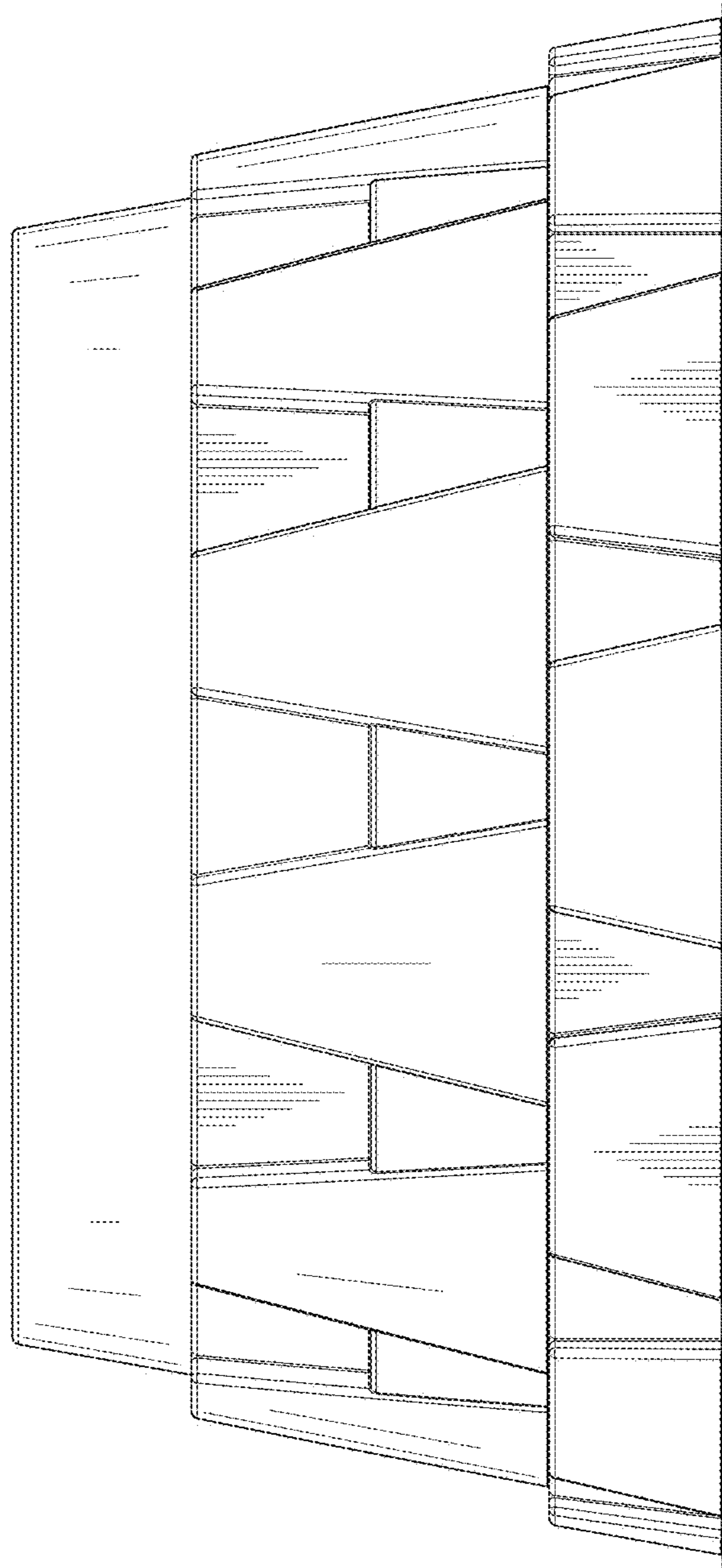


FIG. 6